



- EN
- FR
- DE
- ES
- IT
- NL
- PT
- DA
- SV
- FI
- NO
- RU
- PL
- CS
- HU
- RO
- LV
- LT
- ET
- HR
- SL
- SK
- BG
- UK
- TR

RY18BLA





- Important!** It is essential that you read the instructions in this manual before assembling, maintaining and operating the product.
- Attention!** Il est essentiel que vous lisiez les instructions contenues dans ce manuel avant d'assembler, d'entretenir et d'utiliser le produit.
- Achtung!** Es ist wichtig, dass Sie vor Zusammenbau, Wartung und Benutzung des Produktes die Anweisungen in dieser Anleitung lesen.
- ¡Atención!** Resulta fundamental que lea este manual de instrucciones antes de realizar el montaje, el mantenimiento y de utilizar este producto
- Attenzione!** È importante leggere le istruzioni contenute nel presente manuale prima di montare il prodotto, svolgere le operazioni di manutenzione sullo stesso e metterlo in funzione.
- Let op!** Het is van essentieel belang dat u de instructies in deze gebruiksaanwijzing leest voor u het product monteert, onderhoudt en gebruikt.
- Atenção!** É fundamental que leia as instruções deste manual antes da montagem, manutenção e operação do aparelho.
- OBS!** Det er vigtigt, at man læser instrukserne i denne brugsanvisning, inden man samler, vedligeholder og betjener produktet.
- Observera!** Det är viktigt att du läser instruktionerna i manualen före montering, användning och underhåll av produkten.
- Huomio!** On tärkeää, että luet tämän käsikirjan ohjeet ennen tuotteen kokoamista, huoltoa ja käyttöä.
- Advarsel!** Det er viktig at du leser instruksjonene i denne manualen før sammensetning, vedlikehold og bruk av produktet
- Внимание!** Необходимо прочитать инструкции в данном руководстве перед сборкой, обслуживанием и эксплуатацией этого изделия.
- Uwaga!** Koniecznie należy przeczytać instrukcje zawarte w tym podręczniku przed montażem, obsługą oraz konserwacją produktu.
- Důležité upozornění!** Neinstalujte, neprovádějte údržbu ani nepoužívejte tento výrobek dříve, než si přečtete pokyny uvedené v tomto návodu.
- Figyelem!** Fontos, hogy a termék összeszerelése, karbantartása és használatá elött elolvassa a kézikönyvben található utasításokat.
- Atenție!** Este esențial să citiți instrucțiunile din acest manual înainte de asamblare, efectuarea întreținerii și operarea produsului.
- Uzmanību!** Ir svarīgi izlasīt šīs rokasgrāmatas instrukcijas pirms uzstādīšanas, apkopes un precas darbināšanas.
- Démesio!** Prieš surenkant, prižiūrint ir naudojant gaminį, būtina perskaityti šiam vadove pateiktus nurodymus.
- Tähtis!** Enne masina kokkupanekut, hooldamist ja kasutama hakkamist tuleb käesolevas juhendis esitatud juhised kindlasti läbi lugeda.
- Upozoreње!** Vrlo je važno da ste prije sklapanja, održavanja i rada s ovim proizvodom pročitali upute u ovom priručniku.
- Pomembno!** Pomembno je da pred montažo vzdrževanjem in uporabo tega izdelka preberete navodila v tem priročniku.
- Upozornenie!** Je dôležité, aby ste si pred montážou, údržbou a obsluhou produktu prečítali pokyny v tomto návode.
- Важно!** Исключительно важно е да прочетете инструкциите в настоящото ръководство, преди да преминете към сглобяване, поддръжка или работа с продукта.
- Важливо!** Дуже важливо, щоб ви прочитали інструкції в цьому керівництві перед складанням, обслуговуванням та експлуатацією цієї машини.
- Önemli!** Ürünü monte etmeden, kullanmadan ve bakımını yapmadan önce bu kılavzdaki talimatları okumanız önemlidir.

Subject to technical modification | Sous réserve de modifications techniques | Technische Änderungen vorbehalten | Bajo reserva de modificaciones técnicas | Con riserva di eventuali modifiche tecniche | Technische wijzigingen voorbehouden | Com reserva de modificações técnicas | Med forbehold for tekniske ændringer | Med förbehåll för tekniska ändringar | Tekniset muutokset varataan | Med forbehold om tekniske endringer | могут быть внесены технические изменения | Z zastrzeżeniem modyfikacji technicznych | Změny technických údajů vyhrazeny | A műszaki módosítás jogát fenntartjuk | Sub rezerva modificărilor tehnice | Paturam tiesības mainīt tehniskos raksturlielumus | Pasliiekant teisę daryti techninius pakeitimus | Tehnised muudatused võimalikud | Podloženo tehničkim promjenama | Tehnične spremembe dopuščene | Právo na technické zmeny je vyhradené | Подлежи на технически модификации | Є об'єктом для технічних змін | Teknik değışiklięe tabidir.



Safety, performance, and dependability have been given top priority in the design of your cordless blower.

INTENDED USE

The cordless blower is intended only for outdoor use, in dry, and well-illuminated conditions.

The product is not intended to be used by children or persons with reduced physical, mental, or sensory capabilities.

The product is designed for blowing light debris, such as leaves, grass, and other garden waste.

Do not use the product for any other purpose.

GENERAL SAFETY WARNINGS

⚠ WARNING! Read all safety warnings and all instructions. Failure to follow the warnings and instructions may result in electric shock, fire, and/or serious injury. Save all warnings and instructions for future reference.

⚠ WARNING! Never allow children or people who are unfamiliar with these instructions to use the product. Local regulations may restrict the age of the operator.

TRAINING

- Read the instructions carefully. Be familiar with the controls and the correct use of the product.
- Keep in mind that the operator or user is responsible for accidents or hazards occurring to other people or their property.
- Do not use the product while tired, ill, or under the influence of drugs, alcohol, or medication.

PREPARATION

- Some regions have regulations that restrict the use of the product to some operations. Check with your local authority for advice.
- Wear hearing protection at all times while operating the product. The product is noisy, and not strictly adhering to precautions to limit your exposure and to reduce noise may result to permanent hearing injury.
- Wear full eye protection at all times while operating the product. Wear a full face mask or fully enclosed goggles. Normal spectacles or sunglasses are not adequate protection. Objects can be thrown at high

speed by the powerful air jet at any time and may rebound from hard surfaces toward the operator.

- While operating the product, always wear substantial footwear and long trousers. Do not operate the product when barefoot or wearing open sandals. Avoid wearing clothing with loose fitting or that has hanging cords or ties.
- Do not wear loose clothing or jewellery that can be drawn into the air inlet. Secure long hair so it is above shoulder level to prevent entanglement in moving parts.
- Before each use, ensure that all controls and safety devices function correctly. Do not use the product if the off switch does not stop the product.
- Operate the product in the recommended position and only on a firm and level surface.
- Do not operate the product on a paved or gravel surface where ejected material could cause injury.
- Before each use, always inspect the housing for damage. Ensure that guards and handles are in place and properly secured. Replace worn or damaged components in sets to preserve balance. Replace damaged or unreadable labels.
- Never operate the product while people, especially children, or pets are nearby.
- Keep all cooling air inlets clear of debris.
- Use rakes and brooms to loosen debris before blowing.
- Clear the work area before each use. Remove all objects such as rocks, broken glass, nails, wire, or string that can be blown a considerable distance by high velocity air.
- Injuries may be caused or aggravated by prolonged use of a tool. When using any tool for prolonged periods, ensure you take regular breaks.

BATTERY TOOL USE AND CARE

- Recharge only with the charger specified by the manufacturer. A charger that is suitable for one type of battery pack may create a risk of fire when used with another battery pack.
- Use power tools only with specifically designated battery packs. Use of any other battery packs may create a risk of injury and fire.

- When battery pack is not in use, keep it away from other metal objects, like paper clips, coins, keys, nails, screws or other small metal objects that can make a connection from one terminal to another. Shorting the battery pack terminals together may cause burns or a fire.
- Under abusive conditions, liquid may be ejected from the battery pack; avoid contact. If contact accidentally occurs, flush with water. If liquid contacts eyes, additionally seek medical help. Liquid ejected from the battery pack may cause irritation or burns.
- Do not use a battery pack or tool that is damaged or modified. Damaged or modified batteries may exhibit unpredictable behaviour resulting in fire, explosion, or risk of injury.
- Do not expose a battery pack or tool to fire or excessive temperatures. Exposure to fire or excessive temperature above 130°C may cause explosion.
- Follow all charging instructions and do not charge the battery pack or tool outside the temperature range specified in the instructions. Charging improperly or at temperatures outside the specified range may damage the battery and increase the risk of fire.
- Keep proper footing and balance. Do not overreach. Overreaching can result in loss of balance.
- Never use the product with defective guards or shields, or without safety devices in place.
- To reduce the risk of injury associated with contacting rotating parts, always turn off the product and remove the battery pack. Make sure that all moving parts have come to a complete stop:
 - before leaving the product unattended
 - before clearing blockages
 - before checking, cleaning, or working on the product
 - before inspecting the product after striking a foreign object
 - whenever the product starts to vibrate abnormally (inspect immediately)
- Immediately turn off the product and remove the battery pack in the event of accident or breakdown. Do not operate the product again until it has been fully checked by an authorised service centre.
- Do not modify the product in any way or use parts and accessories that are not recommended by the manufacturer.
- If the product is dropped, suffers heavy impact, or begins to vibrate abnormally, immediately stop the product and inspect for damage or identify the cause of the vibration. Any damage should be properly repaired or replaced by an authorised centre.

OPERATION

- Operate the product only at reasonable hours—not early in the morning or late at night when people might be disturbed.
- Never operate the product in an explosive atmosphere.
- Avoid using the product in bad weather conditions, especially when there is a risk of lightning.
- Keep bystanders, children, and pets 15 m away from the area of operation. Stop the product if anyone enters the area.
- Do not operate the product in poor lighting. The operator requires a clear view of the work area to identify potential hazards.
- Operating similar tools nearby increases both the risk of hearing injury and the potential for other persons to enter your working area.
- Always be sure of your footing on slopes. Walk, never run.

BLOWER SAFETY WARNINGS

- Wear a face filter mask in dusty conditions to reduce the risk of injury associated with the inhalation of dust.
- Slightly dampen surfaces in dusty conditions.
- Do not use the product near open windows.
- Use the full blower nozzle extension so that the air stream can work close to the ground and perform effectively.
- Do not point the blower nozzle in the direction of people or pets.
- Never place objects inside the blower tubes.
- Do not place the product on top of or near loose debris. Debris can be sucked into the intake vent, resulting in possible damage to the product.

ADDITIONAL BATTERY SAFETY WARNINGS

To reduce the risk of fire, personal injury, and product damage due to a short circuit, never immerse the tool, battery pack or charger in fluid or allow fluid to flow inside them. Corrosive or conductive fluids, such as seawater, certain industrial chemicals, and bleach or bleach-containing products, etc., can cause a short circuit.

TRANSPORTATION AND STORAGE

- Turn off the product, remove the battery pack, and allow it to cool down before storing or transporting.
- Remove all foreign materials from the product. Store the product in a cool, dry, and well-ventilated place that is inaccessible to children. Keep the product away from corrosive agents, such as garden chemicals and de-icing salts. Do not store the product outdoors.
- For transportation in a vehicle, secure the product against movement or falling to prevent injury to persons or damage to the product.

TRANSPORTING LITHIUM BATTERIES

Transport the battery pack in accordance with local and national provisions and regulations.

Follow all special requirements on packaging and labelling when transporting batteries by a third party. Ensure that no batteries can come in contact with other batteries or conductive materials while in transport by protecting exposed connectors with insulating, non-conductive caps or tape. Do not transport battery packs that are cracked or leaking. Check with the forwarding company for further advice.

MAINTENANCE

Use only original manufacturer's replacement parts, accessories, and attachments. Failure to do so can cause possible injury, can contribute to poor performance, and may void your warranty.

Servicing requires extreme care and knowledge and should be performed only by a qualified service technician. Have the product serviced by an authorised service centre only.

- Check all nuts, bolts, and screws at frequent intervals for proper tightness to ensure that the product is in safe working condition. Any part that is damaged should be properly repaired or replaced by an authorised service centre.
- Bring the product to an authorised service centre to replace damaged or unreadable labels.
- You may make adjustments or repairs that are described in this manual. For other repairs, contact an authorised service centre.
- After each use, clean the product with a soft, dry cloth.

CLEARING A BLOCKAGE

- To reduce the risk of injury associated with contacting moving parts, always turn off the product, remove the battery pack, and make sure that all moving parts have come to a complete stop.
- Remove the blower tubes to inspect for blockage. Clear the tubes if required.
- Reinstall the blower tubes before starting the product.

KNOW YOUR PRODUCT

See *page 106*.

1. Blower tube
2. On/off switch
3. Handle
4. Operator's manual
5. Battery pack
6. Charger

SYMBOLS ON THE PRODUCT



Read and understand all instructions before operating the product. Follow all warnings and safety instructions.



Beware of thrown or flying objects. Keep all bystanders, especially children, and pets, at least 15 m away from the operating area.



Rotating fans. Keep hands and feet out of openings while the product is running.



Wear ear protection.



Wear eye protection.



Do not expose the product to rain or damp condition.



European Conformity Mark



British Conformity Mark



EurAsian Conformity Mark



Ukraine Conformity Mark



Guaranteed sound power level



Waste electrical products should not be disposed of with household waste. Recycle where facilities exist. Check with your local authority or retailer for recycling advice.

SYMBOLS IN THIS MANUAL



Note



Warning



Parts or accessories are sold separately

Votre souffleur sans fil a été conçu en donnant priorité à la sécurité, à la performance et à la fiabilité.

UTILISATION PRÉVUE

Le souffleur sans fil est conçu uniquement pour un usage extérieur dans des conditions sèches et bien éclairées.

Ce produit ne doit pas être utilisé par des enfants ou par des personnes aux capacités physiques, sensorielles ou mentales diminuées.

Le produit est conçu pour souffler les débris légers, tels que les feuilles, le gazon et autres déchets de jardin.

Utilisez ce produit pour aucun autre travail.

AVERTISSEMENTS GÉNÉRAUX DE SÉCURITÉ

⚠ AVERTISSEMENT! Lisez tous les avertissements et indications. Le non-respect des avertissements et instructions peut entraîner un décharge électrique, un incendie et/ou de graves blessures. Bien garder tous les avertissements et instructions.

⚠ AVERTISSEMENT! Ne laissez jamais les enfants ou les personnes non familiarisées avec ces instructions utiliser le produit. Les lois locales peuvent imposer un âge minimum à l'opérateur.

ENTRAÎNEMENT

- Lisez attentivement les instructions. Familiarisez-vous avec les commandes du produit ainsi qu'avec son utilisation correcte.
- Gardez à l'esprit que l'opérateur est responsable des accidents qui arrivent aux autres personnes présentes dans sa propriété.
- Ne pas utiliser l'outil si vous êtes fatigué(e) ou si vous avez consommé des drogues, de l'alcool ou des médicaments.

PRÉPARATION

- La législation de certaines régions restreint l'utilisation du produit à certaines opérations. Contactez les autorités locales pour obtenir des conseils.
- Portez une protection auditive en permanence lorsque vous utilisez ce produit. Le produit est bruyant. Le manquement à respecter strictement les précautions visant à limiter votre exposition et à réduire le bruit pourrait entraîner des lésions auditives permanentes.

- Portez une protection oculaire totale en permanence lorsque vous utilisez ce produit. Porter un masque intégral ou des lunettes de protection fermées. Des lunettes de vue ou de soleil ne constituent pas une protection adéquate. Des objets peuvent être projetés à haute vitesse à tout moment par le puissant flux d'air et peuvent rebondir sur des surfaces dures en direction de l'opérateur.
- Lorsque vous utilisez le produit, portez toujours des chaussures adéquates ainsi que des pantalons longs. N'utilisez pas la machine pieds nus ou avec des sandales ouvertes. Évitez de porter des vêtements amples ou qui possèdent des cordons ou attaches qui pendent.
- Ne portez pas de vêtements amples ou de bijoux qui pourraient être attirés vers l'entrée d'air. Attachez les cheveux longs au-dessus du niveau des épaules afin d'éviter qu'ils ne se prennent dans les parties en mouvement.
- Avant chaque utilisation assurez-vous que toutes les commandes et tous les organes de sécurité fonctionnent correctement. N'utilisez pas le produit si son interrupteur "Arrêt" est inopérant à arrêter le moteur.
- Faites fonctionner le produit dans la position recommandée et uniquement sur une surface dure et horizontale.
- N'utilisez pas la machine sur une surface pavée ou gravillonnée, la projection de ces matériaux pouvant causer des blessures.
- Avant chaque utilisation, vérifiez toujours le carter à la recherche de dommages éventuels. Assurez-vous que les protections et poignées sont en place et bien fixées. Remplacez les éléments usés ou endommagés par jeu complet pour conserver le bon équilibre. Remplacez toute étiquette endommagée ou illisible.
- N'utilisez jamais la machine si des personnes, en particulier des enfants, ou des animaux familiers se trouvent à proximité.
- Gardez toutes les entrées d'air de refroidissement exemptes de débris.
- Utilisez un râteau et un balai pour détacher les débris avant d'utiliser le souffleur.
- Dégagez la zone de travail avant chaque utilisation. Retirez tous les objets tels que pierres, verre brisé, clous, câbles ou ficelle qui pourraient se voir projeter à une distance considérable par la haute vitesse de l'air.

EN

FR

DE

ES

IT

NL

PT

DA

SV

FI

NO

RU

PL

CS

HU

RO

LV

LT

ET

HR

SL

SK

BG

UK

TR

- L'utilisation prolongée d'un outil est susceptible de provoquer ou d'aggraver des blessures. Assurez-vous de faire des pauses de façon régulière lorsque vous utilisez tout outil de façon prolongée.

UTILISATION ET EMPLOI SOIGNEUX DES OUTILS ÉLECTRIQUES SANS FIL

- Ne chargez les blocs de batteries que dans des chargeurs recommandés par le fabricant. Un chargeur approprié à un type spécifique de batterie peut engendrer un risque d'incendie lorsqu'il est utilisé avec une autre batterie.
- Dans les outils électriques, n'utilisez que les blocs de batteries spécialement prévus pour ceux-ci. L'utilisation de tout autre bloc de batterie peut entraîner des blessures et des risques d'incendie.
- Lorsqu'un bloc de batterie n'est pas utilisé, maintenez-le à l'écart de tout autre objet métallique, par exemple trombones, pièces de monnaie, clés, clous, vis ou autres objets de petite taille qui peuvent donner lieu à une connexion d'une borne à une autre. Un court-circuit entre les contacts de batterie peut provoquer des brûlures ou un incendie.
- En cas d'utilisation abusive, du liquide peut sortir du bloc de batterie. Évitez tout contact avec ce liquide. En cas de contact accidentel, rincez soigneusement avec de l'eau. Si du liquide entre en contact avec les yeux, consultez immédiatement un médecin. Le liquide qui sort du bloc de batterie peut entraîner des irritations de la peau ou causer des brûlures.
- Ne pas utiliser un outil ou un pack de batterie endommagé ou modifié. Des batteries endommagées ou modifiées peuvent présenter un comportement imprévisible pouvant causer un incendie, une explosion ou un risque de blessure.
- Ne pas exposer un outil ou un pack de batterie au feu ou à des températures excessives. L'exposition au feu ou à des températures excessives supérieures à 130 °C peut provoquer une explosion.
- Suivre toutes les instructions de chargement et ne pas charger l'outil ou le pack de batterie en dehors de la plage de températures spécifiée dans les instructions. Un chargement incorrect ou à des températures en dehors de la plage spécifiée peut endommager la batterie et augmenter le risque d'incendie.

UTILISATION

- N'utilisez la machine qu'à des heures raisonnables – évitez de le faire tôt le matin ou tard le soir, où vous risqueriez de gêner des gens.
- N'utilisez jamais le produit dans une atmosphère explosive.
- Évitez d'utiliser le produit par mauvais temps, en particulier en cas de risque d'éclairs.
- Gardez les passants, les enfants et les animaux éloignés d'au moins 15 m de la zone de travail. Arrêtez le produit si quelqu'un pénètre dans l'environnement de travail.
- Ne faites pas fonctionner le produit sous un mauvais éclairage. L'opérateur doit avoir une bonne vue d'ensemble de la zone de travail pour identifier les dangers éventuels.
- L'utilisation d'outils similaires alentour augmente le risque d'atteinte à l'audition ainsi que le risque que d'autres personnes entrent dans la zone de travail.
- Gardez toujours un bon appui dans les pentes. Marchez, ne courez jamais.
- Gardez un bon appui et un bon équilibre. Ne pas se précipiter. Ne travaillez pas en extension, vous pourriez perdre l'équilibre.
- N'utilisez jamais un appareil dont les carters ou les protections sont endommagés, ou dont les éléments de sécurité ne sont pas en place.
- Pour réduire les risques de blessures infligées par des pièces en rotation, mettez toujours l'appareil hors tension avant de retirer le bloc-batterie. Assurez-vous que tous les éléments en mouvement se sont bien arrêtés:
 - avant de laisser le produit sans surveillance
 - avant de retirer des obstructions
 - avant de travailler sur le produit, de le vérifier ou de le nettoyer
 - avant d'inspecter le produit après avoir heurté un corps étranger
 - si le produit se met à vibrer de façon anormale (vérifiez immédiatement).
- En cas d'accident ou de panne, mettez immédiatement hors tension le bloc de batterie et déposez-le. N'utilisez plus le produit jusqu'à ce qu'il ait été entièrement vérifié par un service après-vente agréé.

- Ne modifiez la machine d'aucune façon et n'utilisez pas de pièces ou accessoires non recommandés par le fabricant.
- Si le produit est tombé, a subi un choc important ou se met à vibrer de façon anormale, arrêtez-le immédiatement et recherchez les dommages éventuels ou identifiez la cause des vibrations. Tout dommage doit être correctement réparé ou remplacé auprès d'un centre agréé.
- Débarrassez l'appareil de tous les corps étrangers. Rangez-le dans un endroit sec, bien aéré et hors de portée des enfants. Tenez le produit à l'écart des agents corrosifs tels que les produits chimiques pour le jardin et les sels de dégivrage. Ne rangez pas le produit à l'extérieur.
- Pour le transport dans un véhicule, attachez le produit pour l'empêcher de bouger ou de tomber, afin d'éviter toute blessure et tout dommage matériel.

AVERTISSEMENTS DE SÉCURITÉ RELATIFS AU SOUFFLAGE

- Portez un masque facial en conditions poussiéreuses pour éviter toute blessure due à l'inhalation des poussières.
- Humectez légèrement les surfaces en conditions poussiéreuses.
- N'utilisez pas le produit à proximité de fenêtres ouvertes.
- Utilisez la rallonge complète d'embout de soufflage afin que le souffle d'air agisse près du sol et soit plus efficace.
- Ne faites pas pointer l'extrémité du souffleur vers des personnes ou des animaux.
- N'introduisez jamais aucun objet dans les tubes du souffleur.
- Ne pas placer le produit sur ou près de débris. Les débris sont susceptibles d'être aspirés dans les entrées d'air ce qui risquerait d'endommager l'appareil.

MISES EN GARDE DE SÉCURITÉ SUPPLÉMENTAIRES CONCERNANT LA BATTERIE

Pour réduire le risque d'incendie, de blessures corporelles et de dommages causés par un court-circuit, ne jamais immerger l'outil, le bloc-piles ou le chargeur dans un liquide ou laisser couler un fluide à l'intérieur de celui-ci. Les fluides corrosifs ou conducteurs, tels que l'eau de mer, certains produits chimiques industriels, les produits de blanchiment ou contenant des agents de blanchiment etc. peuvent provoquer un court-circuit.

TRANSPORT ET STOCKAGE

- Mettez l'appareil hors tension, retirez le bloc-batterie et laissez-le refroidir avant de le ranger ou de le transporter.

TRANSPORT DES BATTERIES AU LITHIUM

Transportez les batteries en conformité avec les dispositions et règlements locaux et nationaux.

Respectez toutes les exigences légales particulières concernant l'emballage et l'étiquetage des batteries lorsque vous confiez leur transport à un tiers. Assurez-vous qu'aucune batterie ne puisse entrer en contact avec une autre batterie ou avec des matériaux conducteurs lors de son transport en isolant les bornes électriques avec du ruban adhésif ou des capuchons isolants non conducteurs. Ne transportez pas une batterie qui serait fendue ou qui fuirait. Demandez conseil au transporteur pour de plus amples informations.

ENTRETIEN

N'utilisez que des pièces détachées et des accessoires d'origine constructeur. Le non respect de cette précaution peut entraîner de mauvaises performances, des blessures, et annuler votre garantie.

Les réparations demandent un soin et des connaissances extrêmes et ne doivent être effectuées que par un technicien de service qualifié. Confiez l'entretien du produit à un centre de service agréé.

- Vérifiez régulièrement le bon serrage des écrous, vis et boulons pour vous assurer que le produit soit toujours en bon état de fonctionnement. Toute pièce endommagée doit être correctement remplacée ou réparée par un centre de service agréé.
- Apportez le produit à un centre de service agréé pour remplacer les étiquettes abîmées ou illisibles.
- Vous n'êtes autorisé à effectuer que les réglages ou réparations décrits dans ce manuel. Pour d'autres réparations ou conseils, faites vous assister par un service après-vente agréé.

- Après chaque utilisation, utilisez un chiffon propre et sec pour nettoyer le produit.

DÉGAGEMENT D'UN BLOCAGE

- Afin de réduire le risque de blessures infligées par des pièces mobiles, mettez toujours l'appareil hors tension, retirez le bloc-batterie et assurez-vous que toutes les pièces mobiles se sont entièrement immobilisées.
- Retirez les tubes du souffleur pour déceler tout blocage. Dégagez les tubes au besoin.
- Réinstaller les tubes de la souffleuse avant de démarrer le produit.

APPRENEZ À CONNAÎTRE VOTRE PRODUIT

Voir page 106.

1. Tube de soufflage
2. Interrupteur Marche/Arrêt
3. Poignée
4. Manuel d'utilisation
5. Bloc de batterie
6. Chargeur

SYMBOLES APPLIQUÉS SUR LE PRODUIT



Lisez et comprenez toutes les instructions avant d'utiliser le produit. Respectez l'ensemble des avertissements et consignes de sécurité.



Prenez garde à la projection d'objets au sol et dans les airs. Gardez tous les passants, en particulier les enfants et les animaux, éloignés d'au moins 15 m de la zone de travail.



Turbine rotative. Éloignez les mains et les pieds des ouvertures du produit en fonctionnement.



Portez une protection auditive.



Portez une protection oculaire.



Ne pas exposer à la pluie ou à des conditions humides.



Marque de conformité européenne



Marque de conformité britannique



Marque de conformité d'Eurasie



Marque de conformité ukrainienne



Niveau de puissance sonore garanti



Les produits électriques hors d'usage ne doivent pas être jetés avec les ordures ménagères. Recyclez-les par l'intermédiaire des structures disponibles. Contactez les autorités locales ou votre distributeur pour vous renseigner sur les conditions de recyclage.

SYMBOLES DE CE MANUEL



Remarque



Avertissement



Pièces détachées et accessoires vendus séparément

Sicherheit, Leistung und Zuverlässigkeit hatten oberste Priorität bei der Entwicklung Ihres Akku-Blasgeräts.

BESTIMMUNGSGEMÄSSE VERWENDUNG

Das schnurlose Blasgerät ist nur für den Einsatz im Freien bei trockenen Bedingungen und gut beleuchteter Umgebung vorgesehen.

Dieses Produkt ist nicht für Kinder oder Personen mit verminderten physischen, geistigen oder sensorischen Fähigkeiten geeignet.

Das Gerät wurde zum Zusammenblasen von leichtem Schmutz, z. B. von Blättern, Gras und sonstigen Gartenabfällen, entwickelt.

Das Produkt darf zu keinen anderen Zwecken verwendet werden.

ALLGEMEINE SICHERHEITSWARNUNGEN

⚠️ WARNUNG! Lesen Sie alle Sicherheitshinweise und Anweisungen. Versäumnisse bei der Einhaltung der Sicherheitshinweise und Anweisungen können elektrischen Schlag, Brand und/oder schwere Verletzungen verursachen. Bewahren Sie alle Sicherheitshinweise und Anweisungen für die Zukunft auf.

⚠️ WARNUNG! Erlauben Sie niemals Personen, die mit diesen Anweisungen nicht vertraut sind, das Produkt zu benutzen. Die lokale Gesetzgebung regelt das Mindestalter des Benutzers.

UNTERWEISUNG

- Lesen Sie die Anweisungen sorgfältig durch. Machen Sie sich mit den Bedienelementen und dem ordnungsgemäßen Gebrauch des Produktes vertraut.
- Vergessen Sie nie, dass der Benutzer verantwortlich ist für Unfälle und Gefahren, die an Eigentum Fremder oder an anderen Personen entstehen könnte.
- Bedienen Sie das Gerät nicht, wenn Sie müde oder krank sind oder unter dem Einfluss von Alkohol, Drogen oder Medikamenten stehen.

VORBEREITUNG

- In einigen Regionen können Vorschriften die Benutzung dieses Produktes auf einige Tätigkeiten beschränken. Lassen Sie sich von Ihrer örtlichen Behörde beraten.

- Tragen Sie immer vollen Gehörschutz, wenn Sie das Produkt benutzen. Dieses Gerät erzeugt laute Geräusche, diese können zu dauerhaften Gehörschädigungen führen, wenn die Vorsichtsmaßnahmen zur Verringerung der Aussetzung und des Geräuschpegels nicht streng eingehalten werden.

- Tragen Sie immer vollen Augenschutz, wenn Sie das Produkt benutzen. Tragen Sie eine Vollmaske oder eine vollständig abschließende Schutzbrille. Normale Brillen oder Sonnenbrillen sind kein ausreichender Schutz. Gegenstände können von dem kräftigen Luftstrom jederzeit mit großer Geschwindigkeit geschleudert werden, und von harten Gegenständen in Richtung Benutzer gelenkt werden.

- Tragen Sie beim Betrieb des Produktes immer festes Schuhwerk und lange Hosen. Arbeiten Sie mit der Maschine niemals Barfuß oder mit offenen Sandalen. Vermeiden Sie lockere Kleidung oder Kleidung mit Schnüren oder Bändern zu tragen.

- Tragen Sie keine locker sitzende Kleidung oder Schmuck, die in den Lufteinlass gesaugt werden könnten. Binden Sie lange Haare zurück, so dass diese sich über Schulterhöhe befinden um zu verhindern, dass sie sich in beweglichen Teilen verfangen.

- Stellen Sie vor jeder Benutzung sicher, dass alle Bedienelemente und Sicherheitsvorrichtung ordnungsgemäß funktionieren. Benutzen sie das Werkzeug nicht, wenn der "Aus" -Schalter das Produkt nicht stoppt.

- Bedienen Sie das Produkt in der empfohlenen Position und nur auf einem festen, ebenen Untergrund.

- Betreiben Sie diese Maschine nicht auf gepflastertem Untergrund oder Schotter, wo ausgeworfenes Material zu Verletzungen führen könnte.

- Überprüfen Sie das Gehäuse vor jeder Benutzung auf Beschädigung. Stellen Sie sicher, dass alle Schutzabdeckungen und Griffe montiert und ordnungsgemäß gesichert sind. Ersetzen Sie abgenutzte oder beschädigte Teile satzweise, um das Gleichgewicht zu erhalten. Ersetzen Sie beschädigte oder unleserliche Etiketten.

- Benutzen Sie nicht das Werkzeug, wenn andere Personen, insbesondere Kinder, in der Nähe sind.

- Halten Sie alle Lüftungseinlässe von Verunreinigungen frei.
- Verwenden Sie Rechen und Besen um Verschmutzungen zu lösen, bevor Sie das Blasergerät einsetzen.
- Untersuchen Sie vor jeder Benutzung den Arbeitsbereich. Entfernen Sie alle Objekte wie z.B. Steine, zerbrochenes Glas, Nägel, Draht oder Fäden, die von dem Luftstrom eine beträchtliche Distanz geblasen werden können.
- Verletzungen können durch lange Benutzung eines Werkzeugs entstehen oder verschlimmert werden. Machen Sie regelmäßig Pause, wenn Sie ein Werkzeug für lange Zeit benutzen.

VERWENDUNG UND BEHANDLUNG DES AKKUWERKZEUGES

- Laden Sie die Akkus nur in Ladegeräten auf, die vom Hersteller empfohlen werden. Für ein Ladegerät, das für eine bestimmte Art von Akkus geeignet ist, besteht Brandgefahr, wenn es mit anderen Akkus verwendet wird.
- Verwenden Sie nur die dafür vorgesehenen Akkus in den Elektrowerkzeugen. Der Gebrauch von anderen Akkus kann zu Verletzungen und Brandgefahr führen.
- Halten Sie den nicht benutzten Akku fern von Büroklammern, Münzen, Schlüsseln, Nägeln, Schrauben oder anderen kleinen Metallgegenständen, die eine Überbrückung der Kontakte verursachen könnten. Ein Kurzschluss zwischen den Akkukontakten kann Verbrennungen oder Feuer zur Folge haben.
- Bei falscher Anwendung kann Flüssigkeit aus dem Akku austreten; vermeiden Sie den Kontakt damit. Bei zufälligem Kontakt mit Wasser abspülen. Suchen Sie außerdem medizinische Hilfe auf, falls die Flüssigkeit in die Augen gerät. Austretende Akkufflüssigkeit kann zu Hautreizungen oder Verbrennungen führen.
- Verwenden Sie keinen beschädigten oder modifizierten Akkupack oder Werkzeuge. Beschädigte oder modifizierte Akkus können zu unvorhersehbaren Reaktionen führen, was zu Feuer, Explosion oder Verletzungsgefahr führt.
- Setzen Sie einen Akkupack oder Werkzeuge nicht Feuer oder zu hohen Temperaturen aus. Feuereinwirkung oder hohe Temperaturen über 130 °C können zu einer Explosion führen.
- Befolgen Sie alle Ladeanweisungen und laden Sie den Akkupack nicht außerhalb des in der Anleitung angegebenen Temperaturbereichs auf. Bei unsachgemäßer Aufladung oder Aufladung bei Temperaturen außerhalb des angegebenen Bereichs kann der Akku beschädigt und das Brandrisiko erhöht werden.

BETRIEB

- Betreiben Sie die Maschine nur zu angemessenen Zeiten – nicht früh am Morgen oder spät am Abend, wenn das andere Personen stören könnte.
- Benutzen Sie das Produkt niemals in explosionsfähiger Atmosphäre.
- Vermeiden Sie es das Produkt bei schlechtem Wetter zu benutzen, besonders bei Gefahr von Blitzschlag.
- Halten Sie Zuschauer, Kinder und Haustiere 15 m von dem Arbeitsbereich fern. Stoppen Sie das Produkt, wenn jemand diesen Bereich betritt.
- Arbeiten Sie nicht mit dem Gerät bei schlechter Beleuchtung. Der Benutzer braucht einen ungehinderten Blick auf den Arbeitsbereich, um mögliche Gefahren zu erkennen.
- Der Betrieb ähnlicher Werkzeuge in der Umgebung erhöht das Risiko von Gehörschäden und die Wahrscheinlichkeit, dass andere Personen Ihren Arbeitsbereich betreten.
- Achten Sie bei der Arbeit an Hängen auf einen festen Stand. Gehen Sie stets; laufen Sie niemals.
- Sorgen Sie für einen sicheren Stand und halten Sie das Gleichgewicht. Vermeiden Sie eine abnormale Körperhaltung. Eine abnormale Körperhaltung kann zu Gleichgewichtsverlust führen.
- Betreiben Sie das Gerät niemals mit defekten Schutzvorrichtungen oder Abschirmungen oder ohne montierte Sicherheitsvorrichtungen.
- Um das Verletzungsrisiko bei Kontakt mit rotierenden Teilen zu verringern, schalten Sie das Gerät immer aus und nehmen Sie den Akkusatz heraus. Stellen Sie sicher, dass alle bewegliche Teile vollständig angehalten sind:
 - bevor Sie das Produkt unbeaufsichtigt zurücklassen

- bevor dem Beseitigen von Blockaden
 - bevor Sie das Produkt prüfen, reinigen oder daran arbeiten
 - Vor dem Inspizieren des Geräts nach dem Schlagen gegen einen Fremdkörper
 - wenn das Produkt anfängt, ungewöhnlich zu vibrieren (sofort überprüfen).
- Schalten Sie das Gerät bei Unfällen oder Ausfällen sofort aus und entfernen Sie den Akku. Das Produkt darf nicht wieder in Betrieb genommen werden, bis es vollständig von einem autorisierten Kundendienst überprüft wurde.
 - Verändern Sie das Produkt nicht in irgendeiner Weise oder verwenden Teile oder Zubehör die nicht vom Hersteller empfohlen sind.
 - Wenn das Produkt fallen gelassen wurde oder einen schweren Schlag erhielt oder anfängt, ungewöhnlich zu vibrieren, stoppen Sie das Produkt sofort und überprüfen es auf Schäden oder identifizieren Sie die Ursache der Vibration. Etwaige Schäden sollten ordnungsgemäß von einem autorisierten Center repariert oder ersetzt werden.

BLASGERÄT SICHERHEITSWARNUNGEN

- Tragen Sie bei staubigen Bedingungen einen Atemschutz, um das Verletzungsrisiko durch das Einatmen von Staub zu verringern.
- Befeuchten Sie bei staubigen Bedingungen die Oberflächen leicht.
- Betreiben Sie die Maschine nicht in der Nähe eines geöffneten Fensters.
- Verwenden Sie die Verlängerung der Düse, so dass der Luftstrom nah am Boden und effektiv arbeiten kann.
- Richten Sie die Gebläsedüse niemals auf Personen oder Tiere.
- Stecken Sie niemals Gegenstände in die Gebläserohre.
- Legen Sie das Gebläse nicht auf oder in die Nähe losen Kehrghuts. Das Kehrghut könnte in den Lufteinlass gesaugt werden und möglicherweise das Gerät beschädigen.

WEITERE SICHERHEITSHINWEISE ZUM AKKU

Um die durch einen Kurzschluss verursachte Gefahr eines Brandes, von Verletzungen oder Produktbeschädigungen zu vermeiden, tauchen Sie das Werkzeug, den Wechselakku oder das Ladegerät nicht in Flüssigkeiten ein und sorgen Sie dafür, dass keine Flüssigkeiten in die Geräte und Akkus eindringen. Korrodierende oder leitfähige Flüssigkeiten, wie Salzwasser, bestimmte Chemikalien und Bleichmittel oder Produkte, die Bleichmittel enthalten, können einen Kurzschluss verursachen.

TRANSPORT UND LAGERUNG

- Schalten Sie das Gerät aus, entfernen Sie den Akku und lassen Sie das Gerät abkühlen, bevor Sie es aufbewahren oder transportieren.
- Entfernen Sie alle Fremdkörper vom Produkt. Lagern Sie das Produkt an einem kühlen, trockenen und gut belüfteten Ort, der Kindern keinen Zugang bietet. Halten Sie das Produkt von ätzenden Mitteln wie Gartenchemikalien und Streusalz fern. Lagern Sie das Gerät nicht im Freien.
- Sichern Sie das Produkt beim Transport in einem Fahrzeug gegen Bewegung oder Herunterfallen, um Verletzungen an Personen und Beschädigung des Produkts zu verhindern.

TRANSPORT VON LITHIUM-IONEN-AKKUS

Transportieren Sie Akkus gemäß Ihren örtlichen und nationalen Bestimmungen und Regeln.

Befolgen Sie alle besonderen Anforderungen für Verpackung und Beschriftung, wenn Sie Akkus von Dritten transportieren lassen. Stellen Sie sicher, dass beim Transport kein Akku in Kontakt mit anderen Akkus oder leitenden Materialien kommt, indem Sie die freien Anschlüsse mit Isolierband, nichtleitenden Kappen oder Kleband schützen. Beschädigte oder auslaufende Akkus dürfen nicht transportiert werden. Weitere Informationen erhalten Sie bei Ihrem Transportunternehmen.

WARTUNG UND PFLEGE

Verwenden Sie ausschließlich original Ersatzteile, Zubehör und Aufsätze des Herstellers. Nichtbefolgung kann mögliche Verletzungen oder schlechte Leistung verursachen und Ihre Garantie ungültig machen.

Service und Wartung des Gerätes erfordert besonderen Sorgfalt und Kenntnisstand und sollte nur durch qualifiziertes Personal durchgeführt werden. Lassen Sie das Gerät nur von einem autorisierten Servicecenter warten.

- Überprüfen Sie Bolzen, Muttern und Schrauben in regelmäßigen Abständen, ob sie alle fest angezogen sind, um somit sicherzustellen, dass das Produkt in einem sicheren Zustand ist. Jedes beschädigte Teil muss durch den autorisierten Kundendienst ordnungsgemäß repariert oder ausgetauscht werden.
- Bringen Sie das Produkt zu einem autorisierten Kundendienst zurück, um beschädigte oder unleserliche Aufkleber zu ersetzen.
- Sie dürfen nur die in dieser Bedienungsanleitung beschriebenen Einstellungen oder Reparaturen durchführen. Kontaktieren Sie Ihren autorisierten Kundendienst für andere Reparaturen.
- Reinigen Sie das Produkt nach jeder Benutzung mit einem weichen, trockenen Lappen.

BLOCKIERUNGEN ENTFERNEN

- Um das mit dem Berühren von beweglichen Teilen einhergehende Verletzungsrisiko zu verringern, schalten Sie das Gerät immer aus, entfernen Sie den Akku und vergewissern Sie sich, dass alle beweglichen Teile vollständig stillstehen.
- Entfernen Sie die Blasrohre, um sie auf Verstopfung zu kontrollieren. Reinigen Sie die Rohre, wenn erforderlich.
- Setzen Sie die Rohre wieder auf, bevor Sie das Gerät starten.

MACHEN SIE SICH MIT IHREM PRODUKT VERTRAUT

Siehe Seite 106.

1. Gebläserohr
2. Ein-/Ausschalter
3. Griff
4. Bedienungsanleitung
5. Akkupack
6. Ladegerät

SYMBOLE AUF DEM PRODUKT



Vor dem Bedienen des Produkts müssen Sie alle Anweisungen lesen und verstehen. Befolgen Sie alle Warn- und Sicherheitshinweise.



Achten Sie auf geschleuderte oder fliegende Objekte. Halten Sie andere, vor allem Kinder und Haustiere, in einem Bereich von mindestens 15 Metern aus dem Arbeitsbereich fern.



Rotierende Lüfterräder. Halten Sie Hände und Füße von den Öffnungen fern während das Produkt in Betrieb ist.



Tragen Sie einen Gehörschutz.



Tragen Sie einen Augenschutz.



Nicht Regen oder feuchten Bedingungen aussetzen.



Europäisches Konformitätskennzeichen



Britisches Konformitätskennzeichen



EurAsian Konformitätszeichen



Ukrainisches Konformitätskennzeichen



Garantierter Schalleistungspegel



Elektrische Geräte sollten nicht mit dem übrigen Müll entsorgt werden. Bitte entsorgen Sie diese an den entsprechenden Entsorgungsstellen. Wenden Sie sich an die örtliche Behörde oder Ihren Händler, um Auskunft über die Entsorgung zu erhalten.

SYMBOLE IN DIESER BEDIENUNGSANLEITUNG



Hinweis



Warnung



Teile oder Zubehör getrennt erhältlich

En el diseño de este soplador inalámbrico, se ha dado prioridad absoluta a la seguridad, el rendimiento y la fiabilidad.

USO PREVISTO

El soplador inalámbrico está destinado exclusivamente a su uso en exterior en condiciones secas y bien iluminadas.

Este producto no debe ser utilizado por niños o personas con discapacidad física, mental o sensorial.

El producto está diseñado para el soplado de residuos ligeros, como hojas, césped y otros productos de desecho del jardín.

No la use para ninguna otra finalidad.

ALERTA DE SEGURIDAD GENERAL

⚠ ADVERTENCIA! Lea todas las advertencias de peligro e instrucciones. El incumplimiento de las advertencias e instrucciones puede provocar descargas eléctricas, incendios y/o lesiones graves. Conserve estas advertencias e instrucciones para poder consultarlas posteriormente.

⚠ ADVERTENCIA! Nunca permita que niños o personas no familiarizadas con las instrucciones utilicen este producto. Las regulaciones locales pueden restringir la edad del operario.

APRENDIZAJE

- Lea las instrucciones cuidadosamente. Familiarícese con los controles y el uso adecuado del producto.
- Tenga presente que el operario o usuario es responsable de los accidentes o riesgos que le puedan ocurrir a otras personas o a su propiedad.
- No utilice el producto si está cansado, enfermo o bajo la influencia de drogas, alcohol o medicamentos.

PREPARACIÓN

- Algunas regiones tienen normativas que restringen el uso del producto para algunas operaciones. Consulte con su autoridad local para obtener información.
- Lleve puesta una protección para los oídos en todo momento mientras maneja el aparato. El producto es ruidoso y, en caso de que no se respeten escrupulosamente las precauciones establecidas para limitar su exposición y reducir el nivel de ruido, puede provocar lesiones auditivas permanentes.

- Lleve puesta una protección total para los ojos en todo momento mientras maneja este aparato. Utilice una máscara facial completa o gafas totalmente cerradas. Las gafas normales o de sol no son una protección adecuada. En cualquier momento, los objetos pueden salir despedidos a gran velocidad debido al potente chorro de aire y pueden rebotar en superficies duras hacia el operador.
- Mientras esté manipulando el producto, use siempre calzado sólido y pantalones largos. No utilice la máquina si está descalzo o lleva sandalias. Evite usar ropa suelta o de la que cuelguen cordones o lazos.
- No lleve ropa suelta ni abalorios que pueda absorber la entrada de aire. Recoja el cabello largo para que quede por encima del nivel de los hombros y evitar así que se enmarañe en cualquier pieza móvil.
- Antes de cada uso, asegúrese de que todos los controles y dispositivos de seguridad funcionan correctamente. No utilice el aparato si el interruptor "off" no para el motor.
- Operar el producto en la posición recomendada y sólo en una superficie firme y nivelada.
- No haga funcionar la máquina en una superficie pavimentada o con grava donde el material eyectado pueda causar lesiones.
- Compruebe siempre que no hay daños en la carcasa antes de cada uso. Asegúrese de que las protecciones y los mangos están en su sitio y bien fijados. Reemplace los componentes desgastados o dañados en grupos para preservar el equilibrio. Reemplace las etiquetas ilegibles o dañadas.
- No haga funcionar la máquina mientras haya cerca personas, especialmente niños, o animales.
- Mantenga todos los orificios de refrigeración libres de cualquier residuo.
- Utilice rastrillos y escobillas para ablandar los restos antes de soplar.
- Limpie el área de trabajo antes de cada uso. Retire todos los objetos como piedras, cristales rotos, clavos, alambre o cuerda que puedan volar a una distancia considerable a alta velocidad.

- El uso prolongado de una herramienta puede causar o agravar lesiones. Al utilizar cualquier herramienta durante períodos prolongados asegúrese de tomar descansos regulares.

USO Y CUIDADO DE LA HERRAMIENTA

- Recargue la unidad solamente con el cargador especificado por el fabricante. Podría haber un riesgo de incendio cuando se utilice un cargador con una batería para la que no está diseñado.
- Utilice sólo herramientas eléctricas específicamente diseñadas para ellos. Utilizar cualquier otro tipo de baterías puede causar lesiones o un riesgo de incendio.
- Cuando la batería no está en uso, manténgala alejada de otros objetos metálicos como clips, monedas, llaves, clavos, tornillos u otros objetos metálicos pequeños que puedan crear una conexión desde una terminal a otra. Causar un cortocircuito en los terminales de la batería puede causar quemaduras o un incendio.
- En condiciones abusivas, podría salir expulsado líquido de la batería, por lo que debería evitar el contacto con éste. Si se produce un contacto accidental, enjuáguese las manos con agua. Si el líquido entra en contacto con los ojos, acuda inmediatamente al médico. Si el líquido es expulsado de la batería y entra en contacto con él, podría causar irritación o quemaduras.
- No utilice un paquete de baterías o una herramienta que esté dañado o modificado. Las baterías dañadas o modificadas pueden presentar un comportamiento impredecible y provocar fuego, explosión o riesgo de lesión.
- No exponga el paquete de baterías o la herramienta al fuego o a temperaturas excesivas. La exposición al fuego o a una temperatura excesiva superior a 130 °C puede provocar una explosión.
- Siga todas las instrucciones de carga y no cargue el paquete de baterías o la herramienta fuera del rango de temperatura especificado en las instrucciones. La carga inadecuada o a temperaturas fuera del rango especificado puede dañar la batería e incrementar el riesgo de fuego.

UTILIZACIÓN

- Utilice la máquina sólo a horas razonables - no muy temprano por la mañana o tarde por la noche cuando pueda molestar a otras personas.
- No utilice el producto en atmósferas explosivas.
- Evite utilizar el aparato en malas condiciones atmosféricas, especialmente cuando haya riesgo de relámpago.
- Mantenga a los transeúntes, a los niños y a los animales a 15 m de distancia de la zona de operación. Apague el aparato si alguien entra en el área.
- No utilice el producto en malas condiciones lumínicas. El operador debe tener una visión clara de la zona de trabajo para identificar peligros potenciales.
- Utilizar herramientas similares a poca distancia aumenta tanto el riesgo de lesión auditiva como el riesgo potencial de que otras personas accedan a su área de trabajo.
- Asegúrese siempre de mantener el equilibrio y de no situarse en pendientes. Camine, nunca corra.
- Mantenga su pisada firme y su equilibrio. No se extienda demasiado. Si lo hace, podrá perder el equilibrio.
- No haga funcionar el aparato con cubiertas o protecciones defectuosas, o sin dispositivos de seguridad en su lugar.
- Para reducir el riesgo de lesión asociado con el contacto con las piezas giratorias, apague siempre el producto y extraiga la batería. Asegúrese de que todas las partes móviles se han detenido por completo:
 - antes de dejar el producto sin vigilancia
 - antes de eliminar cualquier obstrucción
 - antes de inspeccionar, limpiar o trabajar con el producto
 - antes de inspeccionar el producto después de golpear un objeto extraño
 - si el producto empieza a vibrar de forma anormal (comprobar inmediatamente).
- Apague inmediatamente la unidad y retire la batería en caso de accidente o avería. No vuelva a utilizar el producto hasta que un servicio de mantenimiento autorizado lo haya inspeccionado completamente.

- No modifique la herramienta de modo alguno ni utilice piezas o accesorios que no sean los recomendados por el fabricante.
- Si el aparato se cae, sufre un impacto fuerte o empieza a vibrar de manera anormal, párelo inmediatamente y compruebe si está dañado o identifique el motivo de la vibración. Cualquier daño debería repararse adecuadamente o ser sustituido en un centro autorizado.

ADVERTENCIAS DE SEGURIDAD DEL SOPLADOR

- Use una máscara de filtro en condiciones en las que haya mucho polvo para reducir el riesgo de lesiones asociadas con la inhalación de polvo.
- Humedezca ligeramente las superficies cubiertas de polvo.
- No maneje la máquina cerca de ventanas abiertas.
- Utilice toda la extensión de la boquilla del soplador para que el chorro de aire incida cerca del suelo y funcione de forma efectiva.
- No dirija la boquilla del soplador hacia personas o animales domésticos.
- No coloque objetos dentro de los tubos del soplador.
- No coloque el producto encima o cerca de restos sueltos. Los restos de basura pueden ser absorbidos por el orificio de entrada de aire dañando como resultado la unidad.

ADVERTENCIAS DE SEGURIDAD DE LA BATERÍA ADICIONAL

Para reducir el riesgo de incendio, lesion personales y daños al producto debido a un cortocircuito, no sumerja nunca la herramienta, el paquete de baterías o el cargador en líquido ni permita que fluya un fluido dentro de ellos. Los fluidos corrosivos o conductivos, como el agua de mar, ciertos productos químicos industriales y blanqueadores o lejías que contienen, etc., Pueden causar un cortocircuito.

TRANSPORTE Y ALMACENAMIENTO

- Apague el producto, extraiga la batería y deje que el producto se enfríe antes de almacenarlo o transportarlo.

- Limpie todo el material extraño que pueda permanecer en el producto. Guarde en una zona seca y bien ventilada, a la que no puedan acceder los niños. Almacene el producto lejos de agentes corrosivos como sales de deshielo y productos químicos de jardín. No guarde el producto a la intemperie.
- Para transportar el producto, sujételo de modo que no se mueva ni se caiga para evitar lesiones personales o daños al producto.

TRANSPORTE DE BATERÍAS DE LITIO

Transporte de baterías de acuerdo con las disposiciones y reglamentos nacionales y locales.

Cumpla todos los requisitos especiales relativos al embalaje y etiquetado cuando el transporte de baterías se lleve a cabo por un tercero. Asegúrese de que, durante el transporte, las baterías no entran en contacto con otras baterías o materiales conductores protegiendo los conectores expuestos con tapones o tapas aislantes de material no conductor. No transporte baterías que tengan grietas o fugas. Consulte a la empresa de transporte para obtener más asesoramiento.

MANTENIMIENTO

Utilice sólo piezas y accesorios de recambio originales del fabricante. Si no lo hace podría ocurrir un mal funcionamiento, podrían producirse daños o podría quedar anulada la garantía.

Las reparaciones requieren tener mucho cuidado y conocimiento y sólo debe realizarse por un técnico de servicio calificado. Solicite la reparación del producto únicamente en un centro de servicio autorizado.

- Verifique a intervalos frecuentes si todas las tuercas, pernos y tornillos están apretados apropiadamente para asegurarse de que el producto esté en buenas condiciones de trabajo. Cualquier pieza dañada debe ser sustituida o reparada adecuadamente por un centro de servicio autorizado.
- Lleve el aparato a un centro de servicios autorizado para sustituir las etiquetas dañadas o ilegibles.
- Usted solo puede realizar los ajustes o reparaciones descritos en este manual. Para otras reparaciones o consejos, busque la ayuda de un centro de servicio autorizado.

- Limpiar el producto con un paño suave seco después de cada uso.

DESPEJAR UN BLOQUEO

- Para reducir el riesgo de lesión asociado con el contacto con las piezas móviles, apague siempre el producto, extraiga la batería y asegúrese de que todas las piezas móviles se hayan detenido por completo.
- Quite los tubos sopladores para comprobar el atasco. Despeje los tubos si fuera necesario.
- Reinstale los tubos del soplado antes de encender el producto.

CONOZCA SU PRODUCTO

Véase la página 106.

1. Tubo de sopló
2. Interruptor Marcha
3. Mango
4. Manual de instrucciones
5. Batería
6. Cargador

SÍMBOLOS EN EL PRODUCTO



Lea y entienda todas las instrucciones antes de utilizar el producto. Siga todas las advertencias e instrucciones de seguridad.



Tenga cuidado con los objetos volátiles o lanzados. Mantenga a todos los transeúntes, especialmente niños y mascotas, a una distancia mínima de 15 m de la zona de trabajo.



Ventiladores de rotación. Mantenga las manos y los pies apartados de las aberturas mientras el aparato está en funcionamiento.



Use protección auditiva



Utilice protección ocular



No la esponga a la lluvia o a lugares húmedos.



Marca de conformidad europea



Marca de conformidad británica



Certificado EAC de conformidad



Marca de conformidad de Ucrania



Nivel de potencia acústica garantizado



Los productos eléctricos de desperdicio no deben desecharse con desperdicios caseros. Por favor recíclelos donde existan dichas instalaciones. Compruebe con su autoridad local o minorista para reciclar.

SÍMBOLOS EN ESTE MANUAL



Nota



Advertencia



Las piezas o accesorios se venden por separado

Il design del nostro soffiatore senza fili è stato progettato per garantire sicurezza, prestazioni e affidabilità.

UTILIZZO RACCOMANDATO

Il soffiatore senza fili è concepito soltanto per uso all'aperto in ambienti asciutti e adeguatamente illuminati.

Prodotto non inteso per essere utilizzato da bambini o persone con ridotte capacità fisiche, mentali o sensoriali.

Il prodotto è pensato per aspirare detriti leggeri, come foglie, erba e altri rifiuti da giardino.

Non utilizzare per altri scopi.

AVVERTENZE GENERALI DI SICUREZZA

⚠ AVVERTENZA! Leggere tutte le avvertenze di sicurezza e le istruzioni. La mancata osservanza di tutte le istruzioni potrà causare scosse elettriche, incendi e/o gravi lesioni personali. Conservare le presenti avvertenze ed istruzioni per poterle consultare in seguito.

⚠ AVVERTENZA! Non lasciare che bambini o persone che non conoscono le istruzioni lo utilizzino. Leggi locali possono limitare l'età dell'operatore.

UTILIZZO

- Leggere attentamente le istruzioni. Familiarizzare con i comandi e il corretto utilizzo del prodotto.
- Ricordare che l'operatore sarà responsabile di eventuali lesioni o danni a persone o cose.
- Non usare il prodotto in caso di stanchezza, malessere o sotto gli effetti di droghe, alcool o farmaci.

PREPARAZIONE

- In alcune regioni norme specifiche limitano l'utilizzo del prodotto ad alcune operazioni. Rivolgersi alle autorità locali per eventuali consigli.
- Indossare sempre cuffie per le orecchie mentre si mette in funzione il prodotto. Il prodotto è rumoroso e non rispetta rigorosamente le precauzioni per limitare l'esposizione e ridurre i rumori che potrebbero causare lesioni permanenti all'orecchio.

- Indossare sempre la protezione completa occhi mentre si utilizza questo prodotto. Indossare una maschera facciale completa o occhiali completamente chiusi. Normali occhiali scuri o da sole non costituiscono una protezione adeguata. Oggetti potranno essere scagliati ad alta velocità dal potente getto d'aria in un qualsiasi momento e potranno essere scagliati da superfici dure contro l'operatore.
- Mentre si mette in funzione il prodotto indossare sempre calzature resistenti e pantaloni lunghi. Non mettere in funzione l'utensile se scalzi o se si indossano sandali. Evitare di indossare abiti con parti svolazzanti o con cordicelle o lacci.
- Non indossare abiti con parti svolazzanti o gioielli che potranno essere aspirati nelle griglie dell'aria. Assicurare i capelli lunghi al di sopra delle spalle per evitare che rimangano impigliati nelle parti in movimento.
- Assicurarsi prima di ciascun utilizzo che tutti i comandi e i dispositivi di sicurezza funzionino correttamente. Non utilizzare l'utensile se l'interruttore "off" (spento) non arresta il motore.
- Mettere in funzione il prodotto nella posizione raccomandata e solo su una superficie ben bilanciata ed equilibrata.
- Non mettere in funzione la macchina su superfici pavimentate o con ciottoli o materiali che potranno essere scagliato verso l'operatore ferendolo.
- Prima di ogni utilizzo, controllare sempre la sede dell'utensile per individuare eventuali danni. Assicurarsi che i dispositivi di protezione e i manici siano stati montati correttamente e siano assicurati saldamente. Sostituire i componenti consumati o danneggiati in gruppo per mantenere l'equilibrio. Sostituire le parti danneggiate o le etichette illeggibili.
- Non mettere mai in funzione l'utensile in presenza di osservatori, soprattutto bambini, o animali.
- Rimuovere eventuale materiale di scarto dalle griglie dell'aria.
- Utilizzare rastrelli e scope per raggruppare i detriti da aspirare.
- Pulire l'area di lavoro prima di ogni utilizzo. Rimuovere tutti gli oggetti come rocce, vetri rotti, chiodi, cavi, o fili che potranno essere soffiati via da aria ad alta velocità.

- Il prolungato utilizzo dell'utensile potrà causare o aggravare lesioni. Quando si utilizza questo utensile per periodi di tempo prolungati, assicurarsi di fare sempre delle pause regolari.

UTILIZZO E MANUTENZIONE DI UN UTENSILE A BATTERIE

- Ricaricare solo con il caricatore indicato dalla ditta produttrice. Un caricatore adatto per un tipo di batterie potrà creare un rischio di incendio se utilizzato con un altro gruppo batterie.
- Utilizzare elettrooutensili solo con i gruppi batteria indicati. L'utilizzo di gruppi batteria diversi da quelli indicati potrà causare rischi di lesioni e incendi.
- Quando il gruppo batterie non viene utilizzato, tenerlo lontano da oggetti in metallo come fermagli, monete, chiavi, chiodi, viti o altri piccoli oggetti che potranno fare da tramite da un terminale all'altro. Cortocircuitare i terminali della batteria assieme potrà causare scottature o incendi.
- Se sottoposto a stress, la batteria potrà perdere dei liquidi; evitare il contatto. Se si entra accidentalmente in contatto con tali liquidi, lavarsi immediatamente con acqua. Se il liquido entra negli occhi, rivolgersi a un medico. Il liquido espulso dalla batteria potrà causare irritazioni o scottature.
- Non utilizzare batterie o strumenti danneggiati o alterati. Le batterie danneggiate o alterate potrebbero avere un comportamento imprevedibile e causare incendi, esplosioni o rischio di lesioni.
- Non esporre le batterie o gli utensili a temperature eccessive. L'esposizione al fuoco o a temperature eccessive oltre i 130 °C potrebbero causare l'esplosione.
- Seguire tutte le istruzioni per la ricarica e non ricaricare le batterie o gli utensili all'infuori dell'intervallo di temperature specificato nelle istruzioni. Eseguire la ricarica in modo improprio o all'infuori dell'intervallo specificato potrebbe danneggiare la batteria e aumentare il rischio d'incendio.

UTILIZZO

- Mettere in funzione l'utensili a orari ragionevoli – mai al mattino presto o a tarda sera per non disturbare altre persone.
- Non mettere mai in funzione il prodotto in un'atmosfera esplosiva.

- Evitare di utilizzare il prodotto in cattive condizioni climatiche soprattutto in caso di rischi di fulmini.
- Tenere osservatori, bambini e animali ad almeno 15 metri di distanza dall'area delle operazioni. Arrestare il prodotto nel caso in cui eventuali osservatori entrino nell'area di lavoro.
- Non utilizzare l'utensile in condizioni di scarsa illuminazione. L'area di lavoro deve essere pulita per essere in grado di individuare potenziali rischi.
- Mettere in funzione utensili simili troppo vicino al proprio corpo aumenterà il rischio di lesioni all'udito e i rischi potenziali per le persone che entrano nell'area di lavoro.
- Mantenere l'equilibrio su terreni in discesa. Camminare, non correre mai.
- Mantenere sempre un appoggio saldo e l'equilibrio. Non protendersi. Protendersi potrà causare una perdita di equilibrio.
- Non mettere in funzione l'utensile in caso di paralame o schermi difettosi, oppure senza dispositivi di sicurezza correttamente montati.
- Per ridurre il rischio di lesioni associate al contatto con le parti rotanti, spegnere sempre il prodotto e rimuovere il pacco batteria. Assicurarsi che tutte le parti in movimento si siano arrestate:
 - prima di lasciare il prodotto incustodito
 - prima di rimuovere i blocchi
 - prima di svolgere le operazioni di controllo o pulizia sul prodotto o prima di utilizzarlo
 - prima di ispezionare il prodotto dopo aver colpito un corpo estraneo
 - se il prodotto inizia a vibrare in maniera anormale (controllare immediatamente).
- Spegnere immediatamente e rimuovere il pacco batteria in caso di incidente o guasto. Non utilizzare di nuovo il prodotto finché non è stato controllato a fondo da un centro di assistenza autorizzato.
- Non modificare l'utensile in alcun modo né utilizzare parti e accessori non raccomandati dalla ditta produttrice.
- Se il prodotto cade, subisce impatti pesanti o inizia a vibrare in maniera anomala, arrestarlo e controllare eventuali danni per identificare la causa delle vibrazioni. Eventuali danni devono essere adeguatamente riparati o sostituiti da parte di un centro assistenza autorizzato.

AVVERTENZE DI SICUREZZA SOFFIATORE

- Se l'utilizzo dell'apparecchio produce polvere, indossare una maschera in grado di filtrare le particelle della polvere per evitare i rischi legati all'inalazione di polveri nocive.
- Inumidire le superfici con una leggera presenza di polvere.
- Non mettere in funzione accanto a finestre.
- Utilizzare l'estensione ugello per soffiatore in modo che il flusso dell'aria potrà funzionare a poca distanza dal terreno garantendo così prestazioni ottimali.
- Non rivolgere la bocca del soffiatore verso persone o animali domestici.
- Non posizionare oggetti nei tubi del soffiatore.
- Non posizionare il prodotto sopra o vicino a detriti sfusi. Detriti molto piccoli potranno essere aspirati nelle griglie di aspirazione causando gravi danni all'unità.

AVVERTENZE AGGIUNTIVE PER LA SICUREZZA DELLA BATTERIA

Per ridurre il rischio d'incendio, di lesioni o di danni al prodotto causati da corto circuito, non immergere mai l'utensile, la batteria ricaricabile o il carica batterie in un liquido e non lasciare mai penetrare alcun liquido all'interno dei dispositivi e delle batterie. I fluidi corrosivi o conduttori come acqua salata, alcuni agenti chimici, agenti candeggianti o prodotti contenenti agenti candeggianti potrebbero provocare un corto circuito.

TRASPORTO E RIPONIMENTO

- Spegnerne il prodotto, rimuovere il pacco batteria e lasciare che si raffreddi prima di conservarlo o trasportarlo.
- Rimuovere eventuali materiali di scarto dal prodotto. Riporre in un luogo asciutto e ben ventilato non accessibile ai bambini. Tenere il prodotto lontano da agenti corrosivi come agenti chimici da giardino e sali scongelanti. Non conservare il prodotto all'aperto.
- Per il trasporto, assicurare il prodotto contro ogni movimento o contro eventuali cadute per evitare lesioni a persone o danni al prodotto.

TRASPORTO BATTERIE AL LITIO

Trasportare le batterie rispettando quanto indicato dalle norme e regolamentazioni locali.

Far rispettare quanto indicato sulle etichette e sull'involucro quando la batteria viene trasportata da terzi. Assicurarsi che le batterie non entrino in contatto con altre batterie o con materiali conduttivi mentre si trasportano proteggendo connettori esposti con tappi o nastro isolante e non conduttivo. Non trasportare batterie rotte o che perdono liquidi. Consultare la ditta produttrice per eventuali ulteriori consigli.

MANUTENZIONE

Utilizzare solo parti di ricambio, accessori e dispositivi originali della ditta produttrice. In caso contrario si potranno causare lesioni, prestazioni basse e la garanzia verrà invalidata.

Le operazioni di manutenzione devono essere svolte con grande attenzione e accortezza solo da un tecnico qualificato. Far riparare il prodotto esclusivamente da un centro assistenza autorizzato.

- Controllare frequentemente dadi, bulloni e viti, verificando che siano stati assicurati correttamente per fare in modo che il prodotto garantisca condizioni di lavoro ottimali. Riparare eventuali parti danneggiate o farle sostituire da un centro servizi autorizzato.
- Portare il prodotto presso un centro servizi autorizzato per sostituire le parti danneggiate o le etichette illeggibili.
- Sarà solo possibile svolgere le regolazioni o riparazioni indicate nel presente manuale. Per altre riparazioni o consigli, rivolgersi a un centro servizi autorizzato.
- Dopo ogni uso, pulire il prodotto con una panno morbido e asciutto.

RIMOZIONE DI UN BLOCCO

- Per ridurre il rischio di lesioni associate al contatto con parti mobili, spegnere sempre il prodotto, rimuovere il pacco batteria e assicurarsi che tutte le parti mobili siano completamente ferme.
- Rimuovere i tubi del soffiatore e verificare la presenza di eventuali blocchi. Pulire i tubi se necessario.
- Reinstallare i tubi del soffiatore prima di avviare il prodotto.

FAMILIARIZZARE CON IL PRODOTTO

Vedere pagina 106.

1. Tubo soffiatore
2. Pulsante di messa in funzione
3. Manico
4. Manuale dell'operatore
5. Batteria
6. Caricatore



I prodotti elettrici non devono essere smaltiti con i rifiuti domestici. Vi sono strutture per smaltire tali prodotti. Informarsi presso il proprio Comune o rivenditore di sicurezza per smaltire adeguatamente tali rifiuti.

SIMBOLI SUL PRODOTTO

Prima di utilizzare il prodotto leggere e comprendere tutte le istruzioni. Osservare tutte le avvertenze e le istruzioni di sicurezza.



Fare attenzione ad oggetti scagliati o lanciati dall'utensile. Tenere tutti i presenti, in particolare bambini e animali domestici, ad almeno 15 m dall'area operativa.



Ventole rotanti. Tenere mani e piedi lontani dalle aperture mentre il prodotto è in funzione.



Indossare cuffie di protezione



Indossare dispositivi di protezione occhi



Non esporre a pioggia o umidità.



Marchio di conformità europeo



Marchio di conformità britannico



Marchio di conformità EurAsian



Marchio di conformità ucraino



Livello di potenza acustica garantito

SIMBOLI NEL PRESENTE MANUALE

Nota



Avvertenze



Parti o accessori venduti separatamente

Veiligheid, prestaties en betrouwbaarheid hebben bij het ontwerp van uw accubladblazer de hoogste prioriteit gekregen.

VOORGESCHREVEN GEBRUIK

De accubladblader is uitsluitend bedoeld voor gebruik buitenshuis, in droge en goedverlichte omstandigheden.

Het product is niet geschikt voor gebruik door kinderen of personen met verminderde fysieke, mentale of zintuigelijke vermogens.

Het product is ontworpen voor het wegblazen van licht afval, zoals bladeren, gras en ander tuinafval.

Gebruik niet voor andere doeleinden.

ALGEMENE VEILIGHEIDSWAARSCHUWINGEN

⚠ WAARSCHUWING! Lees alle veiligheidswaarschuwingen en instructies. Wanneer niet de waarschuwingen en instructies niet opvolgt, kan dit leiden tot elektrische schok en/of ernstig letsel. Bewaar deze waarschuwingen en voorschriften zorgvuldig om ze ook later te kunnen inzien.

⚠ WAARSCHUWING! Laat kinderen of personen die niet vertrouwd zijn met deze instructies, het product gebruiken. De plaatselijke wetgeving kan beperkingen opleggen i.v.m. de leeftijd van de bediener.

OPLEIDING

- Lees zorgvuldig de instructies. Wees vertrouwd met de bedieningen en het correct gebruik van het product.
- Hou er rekening mee dat de bediener of gebruiker verantwoordelijk is voor ongevallen of gevaren t.o.v. anderen of hun eigendom.
- Gebruik het product niet als u moe, ziek of onder de invloed van drugs, alcohol of medicijnen bent.

VOORBEREIDING

- In enkele streken gelden regels die het gebruik van het product tot enkele handelingen beperken. Raadpleeg uw lokale autoriteit voor advies.
- Draag steeds gehoorbescherming terwijl u dit product gebruikt. Het apparaat maakt veel lawaai en als u zich niet strikt houdt aan de voorzorgsmaatregelen om uw blootstelling te beperken en het lawaai te verminderen, kan dit leiden tot blijvend gehoorverlies.
- Draag steeds volledige gezichtsbescherming terwijl u dit product gebruikt. Draag een gelaatsmasker of een volledig gesloten bril. Een normale bril of zonnebril is geen afdoende bescherming. Voorwerpen kunnen tegen hoge snelheid door een krachtige luchtstoot worden weggeslingerd en vanaf een hard oppervlak in de richting van de bediener worden teruggestuurd.
- Terwijl u het product bedient, draagt u altijd stevig schoeisel en een lange broek. Gebruik de machine wanneer u blootsvoets bent of open sandalen draagt. Draag geen loszittende kledij of kledij met loshangende snoeren of touwen.
- Draag geen losse kledij of juwelen die in de luchtinlaat kunnen worden ingetrokken. Maak lang haar vast boven schouderhoogte om te voorkomen dat het verstrikt raakt in de bewegende delen.
- Controleer voor elk gebruik of alle bedieningsknoppen en veiligheidsinrichtingen goed functioneren. Gebruik het werktuig niet als de "uit"-knop het product niet stillet.
- Gebruik het product in de aangewezen positie en uitsluitend op een stevig, vlak oppervlak.
- Gebruik de machine niet op een geasfalteerd of grientoppervlak waar uitgeworpen materiaal verwondingen kan veroorzaken.
- Inspecteer voor elk gebruik de behuizing op schade. Zorg ervoor dat de beschermers en handvatten zijn geïnstalleerd en stevig vastgemaakt. Vervang versleten of beschadigde onderdelen in sets om het evenwicht te bewaren. Vervang beschadigde of onleesbare etiketten.
- Gebruik de machine nooit wanneer zich mensen, in het bijzonder kinderen, en dieren in de buurt bevinden.
- Houd alle koelluchtinlaten vrij van afval.
- Gebruik een riek en/of bezem om het tuinafval los te woelen voordat u de bladblazer gaat gebruiken.
- Maak voor elk gebruik de werkplek vrij. Verwijder alle objecten, zoals stenen, gebroken glas, nagels, ijzerdraad of kunststof draad, die een aanzienlijke afstand en hard kunnen worden weggeblazen.
- Letsels kunnen worden veroorzaakt of ernstiger worden door verlengd gebruik van een werktuig. Als u een werktuig gedurende langere periodes gebruikt, neem dan regelmatig pauze.

GEBRUIK EN ONDERHOUD VAN HET ACCUANGEDREVEN WERKTUIG

- Herlaad enkel met de oplader die door de fabrikant is gespecificeerd. Een oplader die voor een type accupack is geschikt kan een brandgevaar betekenen wanneer het met een ander accupack wordt gebruikt.
 - Gebruik elektrisch gereedschap uitsluitend met de specifiek toegewezen accupacks. Het gebruik van andere accupacks kan leiden tot risico's op letsels en brand.
 - Wanneer het accupack niet wordt gebruikt, moet u het weg houden van andere metalen objecten, zoals papierclips, munten, sleutels, spijkers, schroeven of andere kleine metalen voorwerpen die een verbinding kan maken van een terminal naar een andere. De batterijterminals kortsluiten kan leiden tot brandwonden of brand.
 - In oneigenlijke omstandigheden, kan een vloeistof uit de accu lekken; vermijd contact hiermee. Als per ongeluk contact voorkomt, spoelt u met water. Als de vloeistof in contact komt met de ogen, dient u bijkomend medische hulp te raadplegen. Vloeistof die uit de accu lekt, kan irritatie of brandwonden veroorzaken.
 - Gebruik geen beschadigde of gewijzigde accu of gereedschap. Beschadigde of gewijzigde accu's kunnen onvoorspelbaar gedrag vertonen en leiden tot brand, explosies, of het risico op letsel.
 - Stel accu's of gereedschap niet bloot aan vuur of hoge temperaturen. Blootstelling aan vuur of extreme temperaturen boven 130°C kan explosies veroorzaken.
 - Volg alle instructies en laad de accu of het gereedschap niet op buiten het temperatuurbereik dat in de handleiding wordt aangegeven. Onjuist opladen of opladen bij temperaturen buiten het aangegeven bereik kan schade aan de accu veroorzaken en risico op brand verhogen.
- ### BEDIENING
- Gebruik de machine uitsluitend op redelijke tijdstippen – niet heel vroeg op de ochtend of 's avonds laat als dit mensen kan hinderen.
 - Gebruik het product nooit in een explosieve atmosfeer.
 - Vermijd gebruik van het product bij slecht weer, vooral als er gevaar voor bliksem bestaat.
 - Houd omstaanders, kinderen en huisdieren op tenminste 15 m afstand van het werkgebied. Leg het product stil als iemand het werkgebied betreedt.
 - Gebruik het product niet bij slechte verlichting. De gebruiker heeft een duidelijk overzicht nodig van het werkgebied om mogelijke gevaren te identificeren.
 - Het gebruik van gelijksoortige apparaten in de nabijheid verhoogt het risico van letsel en de mogelijkheid dat er andere mensen in uw werkgebied komen.
 - Zorg ervoor dat u altijd stevig vast staat op hellingen. Stap altijd, loop nooit.
 - Bewaar steeds een stevige houvast en goed evenwicht. Overrek u niet. Rek u niet uit, waardoor u uw evenwicht kunt verliezen.
 - Gebruik de machine nooit wanneer beschermers of schilden defect zijn of zonder dat de veiligheidsvoorzieningen zijn gemonteerd.
 - Schakel het product en verwijder de accu om het risico op verwonding door het aanraken van draaiende onderdelen te verlagen. Zorg ervoor dat alle bewegende delen volledig tot stilstand zijn gekomen:
 - voordat u het product onbewaakt achterlaat
 - voordat u een obstructie verwijdert
 - voor u het product controleert, reinigt of aan het product werkt.
 - voordat u het product inspecteert na een botsing met een vreemd voorwerp
 - als het product abnormaal begint te trillen (onmiddellijk controleren).
 - Schakel het apparaat onmiddellijk uit en verwijder de accu in geval van een ongeluk of defect. Gebruik het product niet opnieuw totdat het volledig is gecontroleerd door een erkend onderhoudscentrum.
 - Het apparaat op geen enkele wijze aanpassen of reserveonderdelen gebruiken die niet worden aanbevolen door de fabrikant.
 - Als u het product laat vallen, het een ernstige impact ondergaat of abnormaal begint te trillen, legt u het product onmiddellijk stil en controleert u het op schade of zoekt u naar de oorzaak van de trillingen. Eventuele schade moet correct worden gerepareerd of vervangen door een erkend servicecentrum.

VEILIGHEIDSWAARSCHUWINGEN VOOR DE BLAZER

- Draag een mondmasker in stofferige omstandigheden om het risico op letstels verbonden met het inademen van stof, te verminderen.
- Bevochtig de oppervlakken iets in stoffige omstandigheden.
- Gebruik de machine niet in de buurt van een open raam.
- Gebruik de volledige verlengstuk van het blazermondstuk zodat de luchtstroom dicht bij de grond kan werken en goede prestaties kan leveren.
- Richt de blazermond nooit in de richting van mensen of huisdieren.
- Plaats nooit objecten in de blaasbuizen.
- Plaats het product niet boven op of in de buurt van los afval. Het afval kan in de inlaatopening worden gezogen waardoor deze mogelijk beschadigd raakt.

EXTRA WAARSCHUWINGEN BATTERIJVEILIGHEID

Voorkom brand, persoonlijk letsel of materiële schade door kortsluiting en dospel het gereedschap, de wisselaccu en het laadtoestel niet onder in vloeistoffen en waarborg dat geen vloeistoffen in de apparaten en accu's kunnen dringen. Corrosieve of geleidende vloeistoffen zoals zout water, bepaalde chemicaliën, bleekmiddelen of producten die bleekmiddelen bevatten, kunnen een kortsluiting veroorzaken.

TRANSPORT EN OPSLAG

- Schakel het product uit, verwijder de accu en laat het product afkoelen voordat u het vervoert of opbergt.
- Verwijder al het vreemde materiaal van het product. Bewaar op een koele, droge en goed geventileerde plaats die niet toegankelijk is voor kinderen. Houd het product weg van corrosieve producten, zoals tuinchemicaliën en ontdooingszout. Sla het product niet buitenshuis op.
- Voor transport beveiligd u het product tegen bewegen of vallen om lichamelijke letstels of schade aan het product te voorkomen.

LITHIUMBATTERIJEN TRANSPORTEREN

De accu's dienen in overeenstemming met de plaatselijk en nationale regelgeving te worden getransporteerd.

Respecteer alle speciale voorwaarden op de verpakking en etikettering wanneer u de accu's door derden laat transporteren. Zorg ervoor dat de accu's tijdens het transport niet in contact komen met andere batterijen of geleidende materialen door blootliggende connectoren met isolerende, niet-geleidende doppen of plakband te beschermen. Transporteer geen accues die lekken of gebarsten zijn. Overleg met het transportbedrijf voor verder advies.

ONDERHOUD

Gebruik uitsluitend originele vervangonderdelen, accessoires en voorzetstukken van de fabrikant. Als u dit niet doet, kan dit mogelijks letstels of slechte prestaties veroorzaken waardoor uw garantie kan vervallen.

Het onderhoud vereist extreme voorzichtigheid en deskundigheid en mag enkel door een gekwalificeerde onderhoudstechnicus worden uitgevoerd. Het product mag uitsluitend door een erkend servicecentrum worden gerepareerd.

- Controleer regelmatig of alle moeren, bouten en vijzen goed zijn vastgemaakt om zeker te zijn dat het product veilig kan worden gebruikt. Een beschadigd onderdeel moet door een geautoriseerd onderhoudscentrum goed worden gerepareerd of vervangen.
- Breng het product naar een geautoriseerd onderhoudscentrum om beschadigde of onleesbare etiketten te vervangen.
- U mag uitsluitend de afstellingen of herstellingen uitvoeren die in deze gebruiksaanwijzing worden beschreven. Voor andere herstellingen of advies, vraagt u hulp in een geautoriseerd onderhoudscentrum.
- Na elk gebruik, reinigt u het product met een zachte, droge doek.

VERSTOPPING VRIJMAKEN

- Om het risico te vermijden op verwondingen die verband houden met contact met roterende onderdelen, legt u het product altijd stil, verwijdert u het batterijpack en zorgt u ervoor dat alle bewegende onderdelen volledig zijn stilgevallen.

- Haal de blaasbuizen los en controleer of deze verstopt zijn. Maak indien nodig de buizen vrij.
- Plaats de bladbazerbuizen terug voordat u het product start.

KEN UW PRODUCT

Zie pagina 106.

1. Blaasbuis
2. Drukknop aan
3. Handvat
4. Gebruiksaanwijzing
5. Accu
6. Lader

SYMBOLEN OP HET PRODUCT



Lees en begrijp alle aanwijzingen voordat u het product gebruikt. Volg alle waarschuwingen en veiligheidsinstructies.



Houd rekening met weggeslingerde of rondvliegende voorwerpen. Houd alle omstanders op tenminste 15 m afstand van de werkomgeving, vooral kinderen en huisdieren.



Roterende ventilatoren. Houd handen en voeten weg van openingen terwijl het product loopt.



Draag gehoorbescherming



Draag gezichtsbescherming



Stel niet bloot aan regen of vocht.



CE-markering



Brits conformiteitskeurmerk



EurAsian-symbool van overeenstemming



Oekraïens conformiteitskeurmerk



Gegarandeerd geluidsniveau



Elektrisch afval mag niet samen met ander huishoudafval worden weggegooid. Gelieve te recycleren indien de mogelijkheid bestaat. Neem contact op met uw lokaal bestuur of handelaar om advies te krijgen over recyclage.

SYMBOLEN IN DEZE GEBRUIKSAANWIJZING



Opmerking



Waarschuwing



Onderdelen of accessoires afzonderlijk verkocht

No design do nosso soprador eléctrico recarregável demos prioridade à segurança, ao desempenho e à fiabilidade.

USO PREVISTO

O soprador eléctrico recarregável destina-se apenas a ser utilizado em exteriores, em condições de ambiente seco e com boa iluminação.

O produto não deve ser utilizado por crianças nem por pessoas com capacidades físicas, mentais ou sensoriais reduzidas.

O produto foi concebido para soprar resíduos leves, tais como folhas, relva e outros detritos de jardinagem.

Não a use para nenhuma outra finalidade.

AVISOS GERAIS DE SEGURANÇA

⚠ ADVERTÊNCIA! Leia todos os avisos de segurança e todas as instruções. O facto de não seguir os avisos e as instruções pode conduzir a choque eléctrico, fogo e/ou lesão grave. Conserve estas advertências e instruções para que possa consultá-las mais tarde.

⚠ ADVERTÊNCIA! Nunca permita que crianças ou pessoas que não estejam familiarizadas com estas instruções utilizem o produto. A legislação local pode restringir a idade do operador.

FORMAÇÃO

- Leia as instruções com atenção. Familiarize-se com os controlos e a utilização adequada do aparelho.
- Mantenha em mente que o operador ou o utilizador é responsável pelos acidentes ou perigos que ocorrem a outras pessoas ou à sua propriedade.
- Não utilize o produto se sentir fadiga, doente ou se estiver sob a influência de estupefacientes, álcool ou medicamentos.

PREPARAÇÃO

- Algumas regiões têm normas que restringem o uso do produto para algumas operações. Consulte a sua autoridade local para obter informação.
- Coloque sempre uma proteção para os ouvidos enquanto manipula este aparelho. O produto emite bastante ruído e pode provocar danos auditivos permanentes se não forem observadas as precauções para limitar a exposição e reduzir o ruído.

- Coloque sempre uma proteção total para os olhos enquanto manipula este aparelho. Use uma máscara de proteção ou óculos totalmente fechados. Os óculos normais ou de sol não são uma proteção adequada. Em qualquer momento, os objetos podem ser projetados a grande velocidade devido ao potente jorro de ar e podem fazer ricochete em superfícies duras em direção ao operador.
- Durante o funcionamento do produto, use sempre calçado forte e calças longas. Não opere a máquina se estiver descalço ou se usar sandálias. Evite usar roupa larga ou com cordões ou laços.
- Não use roupa larga nem missangas que possam ir para entrada de ar. Prenda o cabelo comprido para que fique acima do nível dos ombros para evitar que fique emaranhado em peças móveis.
- Certifique-se antes de cada uso que todos os controlos e dispositivos de segurança funcionam corretamente. Não utilize o aparelho se o interruptor "off" não parar o motor.
- Operar o produto na posição recomendada e apenas numa superfície firme e nivelada.
- Não ponha a máquina funcionar numa superfície pavimentada ou com gravilha onde o material ejetado possa causar lesões.
- Verifique sempre se não existem danos na armação antes de cada uso. Assegure-se de que as proteções e os cabos estão no seu sítio e bem fixados. Substitua os componentes desgastados ou danificados em conjunto de modo a preservar o equilíbrio. Substitua as etiquetas ilegíveis ou danificadas.
- Nunca coloque a máquina a funcionar quando pessoas, especialmente crianças ou animais de estimação estão por perto.
- Mantenha as entradas de ar para arrefecimento sem obstruções.
- Antes de apontar o soprador aos resíduos, utilize um ancinho e uma vassoura para desagregar e soltar os resíduos.
- Desimpeça a área onde pretende trabalhar antes de cada utilização. Remova todos os objetos como pedras, cacos de vidro, pregos, arame ou fios que possam ser projetados a uma distância considerável pelo ar de alta velocidade.

- O uso prolongado de uma ferramenta pode causar o agravar lesões. Ao usar qualquer ferramenta durante períodos prolongados, assegure-se que faz intervalos regulares.

UTILIZAÇÃO E MANUTENÇÃO DA BATERIA

- Recarregue apenas com o carregador especificado pelo fabricante. Um carregador que seja adequado para um tipo de bateria pode causar risco de incêndio, quando utilizado com outra bateria.
- Use ferramentas eléctricas somente com baterias especificamente concebidas. O uso de qualquer outro tipo de bateria pode causar risco de lesões e incêndio.
- Quando a bateria não estiver a ser utilizada, mantenha-a afastada de outros objectos metálicos como cliques de papel, moedas, chaves, pregos, parafusos, ou outros pequenos objectos metálicos que podem fazer a ligação de um terminal para outro. Ligar os terminais da bateria em conjunto pode causar queimaduras ou um incêndio.
- Sob circunstâncias abusivas, o líquido pode ser ejectado da bateria, evite o contacto. Se o contacto ocorrer acidentalmente, limpe com água abundante. Se o líquido entrar em contacto com os olhos, procure adicionalmente assistência médica. O líquido ejectado da bateria pode causar irritação ou queimaduras.
- Não use um conjunto de baterias ou uma ferramenta que tenha sido sofrido danos ou modificações. Baterias danificadas ou modificadas podem ter um comportamento imprevisível, resultando em incêndio, explosão ou risco de ferimentos.
- Não exponha um conjunto de baterias ou uma ferramenta ao fogo ou a temperaturas excessivas. A exposição ao fogo ou a temperaturas excessivas (acima de 130 °C) pode causar uma explosão.
- Siga todas as instruções de carregamento e não dê carga ao conjunto de baterias ou à ferramenta fora da amplitude de temperaturas especificada nas instruções. O carregamento feito de forma incorrecta ou sob temperaturas fora da amplitude especificada pode danificar a bateria e aumentar o risco de incêndio.

UTILIZAÇÃO

- Opere a máquina apenas em horas convenientes – não cedo de manhã ou tarde à noite, quando as pessoas podem ser perturbadas.
- Nunca opere o aparelho num ambiente explosivo.
- Evite utilizar o aparelho em más condições atmosféricas, especialmente quando houver risco de relâmpago.
- Mantenha os transeuntes, as crianças e os animais a 15 m de distância da zona de operação. Desligue o aparelho se alguém entrar na área.
- Não utilize o produto em condições de má iluminação. O operador necessita de uma visão clara da área de trabalho para identificar potenciais perigos.
- Operar ferramentas similares nas proximidades aumenta tanto o risco de lesão auditiva e o potencial para outras pessoas entrarem na sua área de trabalho.
- Certifique-se sempre onde põe os pés em sítios inclinados. Ande e nunca corra.
- Mantenha-se bem apoiado e equilibrado. Não se aproxime em demasia. Tentar esticar-se demais pode provocar a perda de equilíbrio.
- Nunca coloque o aparelho a funcionar com protecções ou defesas defeituosas ou sem dispositivos de segurança.
- Para reduzir o risco de ferimentos associados ao contacto com peças rotativas, desligue sempre o produto e desmonte o conjunto de baterias. Certifique-se de que todas as peças em movimento pararam completamente:
 - antes de deixar o produto desacompanhado
 - antes de desobstruir bloqueios
 - antes de verificar, limpar ou funcionar com o produto
 - antes de inspecionar o produto após o impacto com um objeto estranho
 - se o produto começar a vibrar de forma anormal (verifique imediatamente).
- Em caso de acidente ou avaria, desligue de imediato e retire a bateria. Não volte a operar o produto enquanto não tiver sido totalmente verificado por um centro de assistência autorizado.

- Não modifique a máquina em qualquer forma nem use peças e acessórios que não sejam recomendados pelo fabricante.
- Se o aparelho cair, sofrer um impacto forte ou começar a vibrar de maneira anormal, pare-o imediatamente e verifique se está danificado ou identifique o motivo da vibração. Quaisquer peças danificadas devem ser corretamente reparadas ou substituídas por um centro de autorizado.

AVISOS DE SEGURANÇA DO SOPRADOR

- Use uma máscara de filtro de rosto em condições de poeira para reduzir o risco de lesão associada à inalação de pó.
- Humedeça ligeiramente as superfícies em condições de poeira.
- Não utilize a máquina junto a janelas abertas.
- Use a extensão completa da boca do ventilador, de modo que o fluxo de ar possa trabalhar junto ao solo e de forma eficaz.
- Não aponte o soprador na direção de pessoas ou animais de estimação.
- Nunca coloque objetos dentro dos tubos do soprador.
- Não assente o produto em cima nem nas proximidades de detritos soltos. Os detritos podem ser sugados para a ventilação de admissão, resultando em possíveis danos para a unidade.

AVISOS DE SEGURANÇA ADICIONAIS DAS BATERIAS

Para evitar o risco de incêndio, de feridas ou de danificação do produto causado por um curto-circuito, não imerja a bateria intercambiável ou o carregador em líquidos e assegure-se de que líquidos não penetrem nos aparelhos ou nas baterias. Líquidos corrosivos ou condutivos como água salgada, determinadas substâncias químicas ou produtos que contenham branqueadores podem causar um curto-circuito.

TRANSPORTE E ARMAZENAMENTO

- Desligue o produto, retire sempre a bateria e permita que o produto arrefeça antes de transportá-lo ou arrumá-lo.

- Limpe todos os materiais estranhos do produto. Guarde-o num local fresco e seco e bem ventilado a que as crianças não consigam aceder. Mantenha o produto afastado de agentes corrosivos tais como produtos químicos de jardim e sais de remoção de gelo. Não guarde o produto em espaços exteriores.
- Para transportar, prenda o aparelho de modo a evitar que este se mova ou caia, para evitar lesões ou danos no produto.

TRANSPORTE DE BATERIAS DE LÍTIU

Transporte as baterias em conformidade com as disposições e regulamentos locais e nacionais.

Siga todos os requisitos especiais na embalagem e rótulos ao transportar baterias por um terceiro. Certifique-se de que nenhuma bateria pode entrar em contato com outras baterias ou materiais condutores durante o transporte protegendo os conectores expostos com tampas ou fita isoladora e não condutora. Não transporte baterias que estejam rachadas ou com fugas. Confirme com a empresa de envio para mais conselhos.

MANUTENÇÃO

Utilize apenas peças de substituição, acessórios e encaixes do fabricante original. A inobservância desta indicação pode causar um fraco desempenho, possíveis lesões e poderá anular a sua garantia.

Os serviços de manutenção requerem extremo cuidado e conhecimentos e devem apenas ser realizado por um técnico de assistência qualificado. Repare o seu produto exclusivamente num centro de assistência autorizado.

- Verifique todas as porcas, pregos e parafusos com intervalos frequentes para confirmar a tensão apropriada e se certificar que o produto está em condições seguras de funcionamento. Qualquer peça danificada deve ser substituída ou reparada adequadamente por um centro de serviço autorizado.
- Leve o produto a um centro de serviço autorizado para substituir as etiquetas danificadas ou ilegíveis.
- Só pode proceder aos ajustes ou reparações descritas neste manual. Para outros reparos ou conselhos, procurar a ajuda de um centro de serviço autorizado.

- Limpar o produto com um pano suave seco depois de cada uso.

ELIMINAR UMA OBSTRUÇÃO

- Para reduzir o risco de ferimentos associados ao contacto com peças móveis, desligue sempre o produto, retire a bateria e certifique-se de que todas as peças móveis pararam completamente.
- Desmonte os tubos de sopro e inspecione-os, procurando bloqueios. Limpe os tubos, se necessário.
- Antes de dar arranque ao produto, volte a montar os tubos do soprador.

CONHEÇA O SER APARELHO

Ver a página 106.

1. Tubo de sopro
2. Botão de premir Liga
3. Manípulo
4. Manual do operador
5. Bateria
6. Carregador

SÍMBOLOS NO PRODUTO



Antes de utilizar este produto, leia e compreenda todas as instruções neste Manual. Siga todos os avisos e todas as instruções de segurança.



Tenha cuidado com os objectos voláteis ou lançados. Mantenha todos os transeuntes, em especial as crianças e os animais de estimação, a uma distância mínima de 15 m da área de utilização.



Ventoinhas. Mantenha as mãos e os pés afastados das aberturas enquanto o aparelho está em funcionamento.



Use protecção para os ouvidos



Usar protecção para os olhos



Não o exponha à chuva ou a condições de humidade.



Marca europeia de conformidade



Marca britânica de conformidade



Marca de conformidade EurAsian



Marca ucraniana de conformidade



Nível de potência sonora garantido



Os aparelhos eléctricos antigos não devem ser eliminados juntamente com o lixo doméstico. Recicle onde existem instalações para o efeito. Verifique com as suas Autoridades Locais ou revendedor para obter informações sobre reciclagem.

SÍMBOLOS NESTE MANUAL



Nota



Aviso



As peças ou acessórios vendem-se separadamente

Ved udformningen af den ledningsfri blæser har vi givet topprioritet til sikkerhed, gode resultater og driftssikkerhed.

TILTÆNKT ANVENDELSESFORMÅL

Den ledningsfri blæser er kun beregnet til udendørs brug under tørre forhold og med god belysning.

Produktet er ikke beregnet til at blive benyttet af børn eller personer med nedsatte fysiske, mentale eller sensoriske evner.

Produktet er designet til at blæse lette småting, såsom blade, græs og andet haveaffald.

Må ikke bruges til andre formål.

GENERELLE SIKKERHEDSADVARSLER

⚠ ADVARSEL! Alle sikkerhedsadvarsler og alle anvisninger skal læses. Manglende overholdelse af advarslerne og anvisningerne kan medføre elektrisk stød, brand og/eller alvorlige personskader. Gem vejledningen med advarsler og anvisninger til senere opslag.

⚠ ADVARSEL! Lad aldrig børn eller personer uden kendskab til denne brugsanvisning bruge produktet. Lokale love kan have indflydelse på den tilladte brugeralder.

UDDANNELSE

- Læs brugsanvisningen omhyggeligt. Sørg for at blive fortrolig med betjeningselementerne samt den korrekte brug af produktet.
- Husk, at brugeren selv er ansvarlig for ulykker eller farer, som andre personer bliver udsat for.
- Anvend ikke produktet, hvis du er træt, syg eller du har taget stoffer, drukket alkohol eller taget medicin.

FORBEREDELSE

- Nogle områder har regler, som begrænser brugen af produktet til visse formål. Forhør dig hos de lokale myndigheder.
- Benyt altid fuldstændigt høreværn under brugen af produktet. Produktet er støjende, og hvis du ikke strengt overholder forholdsreglerne angående eksponeringsbegrænsning og støjreduktion, kan det forårsage permanent høreskade.
- Benyt altid fuldstændigt øjenværn under brugen af dette produkt. Bær en fuld ansigtsmaske eller helt lukkede beskyttelsesbriller. Normale briller eller solbriller yder ikke tilstrækkelig beskyttelse.

Genstande kan til enhver tid blive opslået med høj hastighed af den kraftige luftstrøm og kan springe tilbage mod operatøren, hvis de rammer hårde overflader.

- Under arbejdet med produktet skal man altid bære kraftigt fodtøj og lange bukser. Undlad at bruge maskinen barfodet eller med åbne sandaler. Undgå at bære løstsiddende tøj eller frit hængende snører eller slips.
- Undlad at benytte løstsiddende tøj eller smykker, som kan blive trukket ind i luftindgangen. Langt hår skal bindes op over skulderniveau, så det ikke risikerer at vikles sig ind i bevægelige dele.
- Inden hver brug skal man kontrollere, at alle betjeningslementer og alt sikkerhedsudstyr fungerer upåklageligt. Undlad at bruge produktet, hvis motoren ikke kan standses med "SLUK"-kontakten.
- Produktet skal benyttes i den anbefalede position og kun på et fast, plant underlag.
- Maskinen må ikke anvendes på en stenlagt eller grusoverflade, hvor udslyngt materiale kan forårsage personskader.
- Inden hver brug skal man altid efterse huset for skader. Kontrollér, at skærme og håndtag er monteret og sidder ordentligt fast. Udskift altid slidte eller beskadigede komponenter sætvis, så balancen opretholdes. Udskift beskadigede eller ulæselige mærkater.
- Brug aldrig maskinen, når der er personer, især børn, eller dyr i nærheden.
- Hold alle køleluftindgange fri for affaldsstykker.
- Brug river og koster til at løsne rester før blæsning.
- Ryd arbejdsområdet inden hver ibrugtagning. Fjern alle genstande som fx sten, knust glas, søm, ledning eller snor, som kan blive blæst langt væk af den kraftige luftstrøm.
- Længere tids brug af et værktøj kan forårsage - eller forværre - personskader. Når man bruger et værktøj i længere perioder ad gangen, skal man huske at holde hyppige pauser.

BRUG OG PLEJE AF BATTERIVÆRKTØJ

- Opladning må kun finde sted med den af producenten foreskrevne oplader. En oplader, der er beregnet til én type batteri, kan udgøre en brandrisiko, hvis den bruges til en anden batteritype.

- Brug kun elværktøjer sammen med specifikt godkendte batterier. Brug af andre batterityper kan medføre fare for personskade og brand.
 - Når batteriet ikke bruges, må det ikke opbevares sammen med metalgenstande som fx papirclips, mønter, nøgler, søm, skruer eller andre metalgenstande, som kan skabe forbindelse mellem batteriets poler. Hvis batteriets poler kortsluttes, kan det forårsage forbrændinger eller ildebrand.
 - Hvis batteriet misbruges, kan der sprøjte væske ud af det; undgå kontakt med batterivæsken. Ved kontakt med batterivæsken skylles der med vand. Hvis der kommer væske i øjnene, kontaktes læge straks. Udsprøjtet batterivæske kan forårsage irritation eller forbrændinger.
 - Brug ikke et batteri eller værktøj, der er beskadiget eller modificeret. Beskadigede eller modificerede batterier kan være ustabile, hvilket kan medføre brand, eksplosion eller personskade.
 - Udsæt ikke et batteri eller værktøj for brand eller høje temperaturer. Hvis batterier eller værktøj udsættes for temperaturer over 130 °C, kan det medføre eksplosion.
 - Følg vejledningen for opladning, og oplad ikke batteriet eller værktøjet uden for det temperaturområde, der er angivet i vejledningen. Forkert opladning eller opladning ved temperaturer uden for det angivne område kan beskadige batteriet og øge risikoen for brand.
- Brug af lignende værktøjer i nærheden øger både risikoen for høreskader og for, at uvedkommende personer kommer ind i dit arbejdsområde.
 - Sørg altid for at have godt fodfæste på skråninger. Gå, løb aldrig.
 - Hold et godt fodfæste og balance. Overstræk ikke. Overstrækning kan føre til tab af balancen.
 - Brug aldrig produktet med defekte skærme, eller skjolde brug ej heller produktet uden påmonteret sikkerhedsudstyr.
 - Sluk altid for produktet, og fjern batteripakken for at reducere risikoen for personskader ved kontakt med bevægelige dele. Kontrollér, at alle bevægelige dele er standset fuldstændigt:
 - før du går fra produktet
 - før rydning af blokeringer
 - inden kontrol, rengøring eller arbejde på produktet
 - før undersøgelse af produktet efter at have ramt et fremmedlegeme
 - hvis produktet begynder at vibrere unormalt (kontrolleres omgående).
 - Sluk med det samme, og fjern batteripakken i tilfælde af en ulykke eller et nedbrud. Betjen ikke produktet igen, før det er blevet kontrolleret fuldstændigt af et godkendt servicecenter.
 - Undgå at ændre ved maskinen på nogen som helst måde eller at bruge dele og tilbehør, som ikke anbefales af producenten.
 - Hvis produktet tabes, udsættes for stød eller begynder at vibrere unormalt, skal man omgående stoppe det og inspicere det for skader eller lokalisere årsagen til vibrationen. Alle skader skal repareres ordentligt eller udskiftes af et autoriseret center.

VEKSELSTRØM

- Maskinen må kun betjenes på rimelige tidspunkter -- dvs. ikke tidligt om morgenen eller sent om aftenen, hvor man risikerer at genere andre.
- Undgå at bruge produktet i atmosfærer med eksplosionsfare.
- Undlad at bruge produktet i dårligt vejr, især hvis der er fare for lynnedslag.
- Tilskuere, børn og kæledyr skal have en sikkerhedsafstand på mindst 15 m til arbejdsområdet. Stop produktet, hvis uvedkommende kommer ind i området.
- Brug ikke produktet i dårlig belysning. Operatøren skal have tydeligt overblik over arbejdsområdet, så han/hun kan identificere evt. faremomenter.

SIKKERHEDSADVARSLER PÅ BLÆSER

- Under støvede forhold skal du bruge en ansigtsmaske for at nedsætte risikoen for personskade forbundet med indhalering af støv.
- Overfladerne fugtes en smule i støvede omgivelser.
- Maskinen må ikke betjenes i nærheden af åbne vinduer.

- Brug den fulde blæserdyseforlængelse, så luftstrømmen kan virke tæt ved jorden og arbejde effektivt.
- Ret ikke blæserdysen mod personer eller kæledyr.
- Der må aldrig anbringes genstande i blæseslangerne.
- Placér ikke produktet oven på eller i nærheden af løst haveaffald. Affald kan blive suget ind i indsugningsåbningen og evt. medføre skader på produktet.

YDERLIGERE SIKKERHEDSADVARSLER OM BATTERI

For at undgå risiko for brand, kvæstelser eller beskadigelse af produktet forårsaget af kortslutning må værktøjet, batteripakken eller opladeren ikke nedsænkes i vand. Sørg ligeledes for, at der ikke trænger væske ind i enhederne og batterierne. Korroderende eller ledende væsker, f.eks. saltvand, bestemte kemikalier, blegestoffer eller produkter, som indeholder blegemidler, kan forårsage kortslutning.

TRANSPORT OG OPBEVARING

- Sluk for produktet, og fjern batteripakken, og lad det afkøle inden det opbevares eller transporteres.
- Afrens alle fremmedlegemer fra produktet. Opbevar den på et køligt, tørt og godt ventileret sted utilgængeligt for børn. Sørg for, at produktet ikke kommer i nærheden af korrosive stoffer såsom havekemikalier og strøsalt. Opbevar ikke produktet udendørs
- Til transport skal man sikre produktet, så den ikke kan bevæge sig eller vælte; dette for at forebygge personskader eller skader på produktet.

TRANSPORT AF LITHIUM-BATTERIER

Batterier skal transporteres i henhold til lokale og nationale forskrifter og love.

Når batterier skal transporteres af tredjepart, skal alle specielle krav til emballering og mærkning overholdes. Man skal sikre sig, at ingen batterier under transporten kan komme i kontakt med andre batterier eller ledende materialer ved at beskytte blottede konnektorer med isolerende, ikke-ledende hætter eller tape. Undlad at transportere batterier med revner eller utætheder. Rådfør dig desuden med speditøren.

VEDLIGEHOLDELSE

Brug kun originale reservedele, ekstraudstyr og tilbehør fra producenten. I modsat fald er der fare for personskader, dårlig maskinydelse og annullering af garantien.

Vedligeholdelse kræver stor omhyggelighed og viden og bør kun udføres af en kvalificeret tekniker. Lad kun et autoriseret serviceværksted servicere produktet.

- Tjek ofte alle møtrikker, bolte og skruer om de sidder godt fast, og sørg for at produktet fungerer ordentligt. Enhver del, som bliver beskadiget, skal repareres korrekt eller udskiftes hos et autoriseret servicecenter.
- Indlevér produktet hos et autoriseret servicecenter for at få udskiftet beskadigede eller ulæselige mærkater.
- Man kan selv foretage de justeringer eller reparationer, der er beskrevet i denne brugsanvisning. For andre reparationer eller råd skal man søge assistance på et autoriseret servicecenter.
- Produktet skal rengøres med en blød klud efter hver brug.

AFHJÆLPNING AF BLOKERING

- For at reducere risikoen for tilskadekomst i forbindelse med kontakt med bevægelige dele, skal du altid slukke for produktet, fjerne batteripakken og sikre, at alle bevægelige dele er stoppet fuldstændigt.
- Aftag blæseslanger ved kontrol af tilstopning. Rengør rørene efter behov.
- Geninstaller blæserør, før produktet startes.

KEND PRODUKTET

Se side 106.

1. Blæseslange
2. Tænd/sluk-kontakt
3. Håndtag
4. Brugsanvisning
5. Batteri
6. Oplader

SYMBOLER PÅ PRODUKTET



Læs og forstå alle anvisninger inden betjening af produktet. Overhold alle advarsler og sikkerhedsanvisninger.



Pas på udslyngede eller flyvende objekter. Hold alle omkringstående, især børn og kæledyr, mindst 15 m væk fra operationsområdet.



Roterende blæsere. Hold hænder og fødder på afstand af åbninger, mens produktet kører.



Bær høreværn



Benyt øjenværn



Må ikke udsættes for regn eller bruges på fugtige steder.



Europæisk overensstemmelsesmærkning



Britisk overensstemmelsesmærkning



EurAsian overensstemmelsesmærke



Ukrainsk overensstemmelsesmærkning



Garanteret støjniveau



Elektriske affaldsprodukter bør ikke afskaffes sammen med husholdningsaffald. Genbrug venligst hvor faciliteterne tillader dette. Tjek med din lokale kommune eller forhandler for genbrugsråd.

SYMBOLER I DENNE BRUGSANVISNING



Bemærk



Advarsel



Dele eller tilbehør, der sælges separat

Säkerhet, prestanda och tillförlitlighet har varit högsta prioritet vid utformningen av din sladdlösa blåsmaskin.

ANVÄNDNINGSSOMRÅDE

Den sladdlösa blåsmaskinen är endast avsedd för användning utomhus under torra förhållanden med god belysning.

Produkten är inte avsedd för användning av barn eller personer med fysiska, mentala eller emotionella funktionshinder.

Produkten är avsedd att blåsa undan/ihop lättare trädgårdsskräp, t.ex. löv och gräs.

Får ej användas för annat ändamål.

ALLMÄNNA SÄKERHETSFÖRESKRIFTER

⚠ VARNING! Läs alla säkerhetsvarningar och alla instruktioner. Om du inte följer varningarna och anvisningarna kan du orsaka elektrisk stöt, brand och allvarlig skada. Spara dessa varningar och instruktioner för senare behov.

⚠ VARNING! Låt aldrig barn eller personer som inte känner till dessa instruktioner använda maskinen. Lokala regler kan åldersbegränsa användningen av gräsklipparen.

UTBILDNING

- Läs igenom instruktionerna noga. Bekanta dig med reglagen och rätt användning av produkten.
- Kom ihåg att användaren är ansvarig för olyckor och faror som uppstår för andra människor och deras egendom.
- Använd inte produkten när du är trött, sjuk eller är påverkad av droger, alkohol eller medicin.

FÖRBEREDELSE

- En del regioner har regelverk som begränsar produktens användning till vissa funktioner. Ta kontakt med lokala myndigheter för information.
- Använd alltid hörselskydd vid användning av produkten. Produkten är högljud och kan orsaka permanent hörselskada om inte försiktighetsåtgärder följs strikt för att begränsa din utsatthet och minska buller.
- Använd alltid heltäckande skyddsglasögon vid användning av produkten. Bär en heltäckande ansiktsmask eller helt slutna skyddsglasögon. Vanliga glasögon eller solglasögon skyddar inte tillräckligt.

Föremål kan när som helst kastas i väg i hög hastighet av den kraftfulla luftströmmen och studsas på hårda ytor i riktning mot användaren.

- Vid användning av produkten ska du alltid använda ordentliga skodon och långa byxor. Använd inte maskinen barfota eller med öppna sandaler. Undvik att bära kläder som sitter löst eller som har hängande bälten och slips.
- Bär inga löst sittande kläder eller smycken som kan fastna i rörliga delar eller sugas in i luftintag. Sätt upp hår som är längre än till axlarna så att det inte trasslas in i rörliga delar.
- Kontrollera före användning så att reglage och säkerhetsanordningar fungerar som de ska. Använd inte produkten om "Off"-läget inte stoppar motorn.
- Använd produkten i rekommenderat läge och enbart på fast, jämnt underlag.
- Kör inte maskinen på asfalterad eller grusad mark där utskjutet material skulle kunna orsaka skada.
- Kontrollera höljet före varje användning. Se till att skydd och handtag sitter på plats och är ordentligt säkrade. Byt ut slitna eller skadade delar i hela satsen för att bibehålla balansen. Byt ut skadade eller oläsliga skyltar.
- Använd aldrig maskinen i närheten av människor, speciellt barn, eller husdjur.
- Håll alla kylloftsintag fria från skräp.
- Använd krattor och kvastar för att lossa skräp innan du använder blåsmaskinen.
- Rensa upp på arbetsområdet innan arbetet påbörjas. Ta bort alla föremål som stenar, glasbitar, spikar, vajerbitar eller tråd som kan fara iväg långt med luften.
- Risk för person- eller slitageskador vid användning av verktyget under lång tid. Om verktyget används under längre perioder krävs regelbundna pauser.

ANVÄNDNING OCH UNDERHÅLL AV BATTERIET

- Använd endast den batteriladdare som tillverkaren rekommenderar. En batteriladdare som passar en typ av batteripack kan vara en brandfara om den används med en annan typ av batteripack.

- Använd eldrivna verktyg med batteripaket som är speciellt utformade för användning tillsammans med produkterna. Om du använder andra batteripaket ökar du risken för skador och brand.
- När batteripaketet inte används ska det hållas bort från metallföremål som gem, mynt, nycklar, spikar, skruvar och andra små metallföremål som kan kortsluta batteriets kontakter. Vid kortslutning av batteriets kontakter finns det risk för brännskador eller brand.
- Vätska kan läcka ut från batteripaketet vid felaktig användning; undvik kontakt med vätskan. Spola med vatten om du kommer i kontakt med den. Uppsök omedelbart läkarhjälp om du får vätska i ögonen. Den kan orsaka irritation och brännskador.
- Använd inte en batterienhet eller ett verktyg som är skadat eller har modifierats. Skadade eller modifierade batterier kan bete sig oförutsägbart, vilket kan leda till brand, explosion eller risk för olycksfall.
- Utsätt inte en batterienhet eller ett verktyg för eld eller mycket höga temperaturer. Exponering för eld eller mycket höga temperaturer över 130 °C kan orsaka explosion.
- Följ alla anvisningar för laddning och ladda inte batterienheten eller verktyget vid en temperatur utanför det intervall som anges i anvisningarna. Att ladda på felaktigt sätt eller vid temperaturer utanför det angivna intervallet kan skada batteriet och ökar brandrisken.

ANVÄNDNING

- Använd enbart maskinen under lämpliga tider – inte tidigt på morgonen eller sent på kvällen när det kan störa omgivningen.
- Använd aldrig produkten i lättantändlig atmosfär.
- Använd inte produkten i dåligt väder, speciellt inte om det finns risk för åskoväder.
- Håll åskådare, barn och husdjur på minst 15 meters avstånd. Stoppa produkten om någon kommer i närheten.
- Använd inte produkten vid dålig belysning. Operatören måste ha god överblick över arbetsområdet för att upptäcka potentiella faror.
- Användning av liknande maskiner i närheten ökar risken för både hörselskador och för andra personer i närheten av arbetsområdet.

- Se till att du har ordentligt fotfäste i lutningar. Gå. Spring aldrig.
- Bibehåll ett bra fotfäste och bra balans. Sträck dig inte. Att sträcka sig kan resultera i balansförlust.
- Använd aldrig produkten med defekta skydd eller utan att säkerhetsanordningarna är på plats.
- För att minska risken för olycksfall i samband med roterande delar, stäng alltid av produkten och avlägsna batterienheten. Se till att samtliga rörliga delar har stannat helt:
 - innan produkten lämnas utan uppsikt
 - före rensning av blockeringar
 - före kontroll av, rengöring av eller arbete med produkten
 - före inspektion av produkten efter kollision med ett främmande föremål
 - när maskinen börjar vibrera onormalt (kontrollera omedelbart).
- Stäng omedelbart av produkten och plocka ur batteripaketet vid olycksfall eller fel. Använd inte produkten igen innan den har kontrollerats i sin helhet av en auktoriserad serviceverkstad.
- Modifiera inte maskinen på något sätt och använd inte delar eller tillbehör som inte rekommenderats av tillverkaren.
- Om produkten tappas, utsätts för hårda slag eller börjar vibrera onormalt mycket ska produkten omedelbart stoppas och kontrolleras för eventuella skador eller orsak till vibrationerna. Eventuella skadade delar ska repareras korrekt eller bytas ut av en auktoriserad verkstad.

SÄKERHETSFÖRESKRIFTER FÖR BLÅSARE

- Använd en ansiktsmask om förhållandena är dammiga. Det minskar risken för skador på grund av damminandning.
- Om det är dammigt ska du fukta ytorna innan arbetet.
- Använd inte apparaten i närheten av öppna fönster.
- Använd hela blåsmunstycket så att luftströmmen kommer nära marken och är effektiv.
- Rikta inte utblåsmunstycket mot andra människor eller djur.

- Placera aldrig föremål i blåsroren.
- Placera inte produkten ovanpå eller nära löst skräp. Skräp kan sugas in i luftintaget och eventuellt skada enheten.

YTTERLIGARE SÄKERHETSVARNINGAR FÖR BATTERIER

För att undvika den fara för brand, personskador eller produktskador som orsakas av en kortslutning, doppa inte ner verktyget, utbytesbatteriet eller laddaren i vätskor och se till att ingen vätska kan tränga in i apparaterna eller batterierna. Korroderande eller ledande vätskor, som saltvatten, vissa kemikalier, blekningsmedel eller produkter som innehåller blekmedel, kan orsaka en kortslutning.

TRANSPORT OCH FÖRVARING

- Stäng av produkten, ta ur batteripaketet och låt produkten svalna innan den förvaras eller transporteras.
- Ta bort allt främmande material från produkten. Förvara den svalt och välventilerat på en plats där barn inte kan komma åt den. Håll produkten borta från frätande ämnen, såsom trädgårdskemikalier och vägsalt. Förvara inte produkten utomhus.
- Vid transport ska produkten säkras mot rörelser eller fallande för att förhindra personskador eller att produkten skadas.

TRANSPORTERA LITIUMBATTERIER

Transportera batterier enligt lokala och nationella riktlinjer och föreskrifter.

Följ alla särskilda krav på förpackning och etikettering vid transport av batterier som utförs av tredje part. Se till att inga batterier kan komma i kontakt med andra batterier eller ledande material under transporten genom att skydda exponerade kontaktytor med isolerande, icke ledande överdrag eller tejp. Transportera aldrig batterier som har spruckit eller som läcker. Kontrollera med det transporterande företaget för vidare rådgivning.

UNDERHÅLL

Använd enbart reservdelar och tillbehör från tillverkaren. Om inte kan det eventuellt orsaka skador, sämre resultat och kan upphäva garantin.

Att serva produkten kräver extrem försiktighet och kunskap och bör endast utföras av en kvalificerad servicetekniker. Produkten får endast repareras på ett auktoriserat servicecenter.

- För att vara säker på att produkten är säker att använda, kontrollera alla muttrar, bultar och skruvar regelbundet för att säkerställa att de är åtdragna ordentligt. Skadade delar skall repareras ordentligt eller bytas ut av en auktoriserad servicefirma.
- Lämna produkten till auktoriserat servicecenter för utbyte av skadade eller oläsbara etiketter.
- Du får enbart göra justeringar eller reparationer som nämns i denna manual. För andra reparationer eller för råd ska du alltid vända till auktoriserat servicecenter.
- Efter rengöring ska maskinen alltid rengöras med en mjuk torr trasa.

RENSA BLOCKERINGAR

- För att minska risken för olycksfall genom kontakt med rörliga delar, stäng alltid av produkten, ta ur batteripaketet och försäkra dig om att alla rörliga delar har stannat fullständigt.
- Ta bort blåsroren för att kontrollera om det föreligger en blockering. Rensa roren vid behov.
- Sätt tillbaka blåsarrören innan du startar produkten.

LÄR KÄNNA PRODUKTEN

Se sida 106.

1. Blåsrör
2. Omkopplare av/på
3. Handtag
4. Användarhandbok
5. Batteri
6. Batteriladdare

SYMBOLER PÅ PRODUKTEN



Läs och se till att du förstär alla anvisningar innan du använder produkten. Följ alla varningar och säkerhetsanvisningar.



Se upp för kringkastade eller flygande föremål. Alla åskådare, särskilt barn och husdjur, ska befinna sig minst 15 m från arbetsområdet.



Roterande fläktar. Se till att hålla händer och fötter borta från öppningarna när produkten är igång.



Använd hörselskydd



Bär ögonskydd



Utsätt inte för regn eller våta omgivningar.



CE-märkning



Brittisk CE-märkning



EurAsian överensstämmelsesymbol



Ukrainsk CE-märkning



Garanterad ljudeffektnivå



Gamla elektroniska produkter ska inte kastas med hushållssoporna. Återvinn där sådana faciliteter finns. Kontrollera med din lokala myndighet eller säljaren för att få återvinningstips.

SYMBOLER I MANUALEN



OBS



Varning



Delar och utrustning säljs separat

Tämän johdottoman lehtipuhaltimen suunnittelussa on kiinnitetty erityistä huomiota turvallisuuteen, suorituskykyyn ja käyttövarmuuteen.

KÄYTTÖTARKOITUS

Puhallin on tarkoitettu käytettäväksi vain ulkona, kuivissa ja hyvin valaistuissa olosuhteissa.

Tuotetta ei ole tarkoitettu lasten eikä sellaisten ihmisten käytettäväksi, joiden ruumiin, aistien tai mielen suorituskyky on heikentynyt.

Laite on tarkoitettu kevyen roskan, kuten lehtien, ruohon ja muun puutarhajätteen, puhaltamiseen.

Älä käytä muihin tarkoituksiin.

YLEISET TURVALLISUUSVAROITUKSET

VAROITUS! Lue kaikki turvallisuusvaroitukset ja ohjeet. Varoitusten ja ohjeiden laiminlyönnistä voi seurata sähköisku, tulipalo ja/tai vakava loukkaantuminen. Säilytä nämä varoitukset ja ohjeet myöhempää tarvetta varten.

VAROITUS! Älä anna lasten tai käyttöohjeita tuntemattomien ihmisten käyttää laitetta. Paikalliset säädökset saattavat asettaa rajastuksia käyttäjän iälle.

KOULUTUS

- Lue ohjeet huolella. Tutustu ohjaimiin ja tuotteen asianmukaiseen käyttöön.
- Muista, että ruohonleikkurin käyttäjä on vastuussa vahingoista ja vaaroista, jotka hän aiheuttaa muille ihmisille ja heidän omaisuuksilleen
- Älä käytä sahaa, jos olet väsynyt, sairastai huumeiden, alkoholin tai lääkkeiden vaikutuksen alainen.

VALMISTELU

- Joillain alueilla vallitsee säädöksiä, jotka rajoittavat tämän tuotteen käyttöä joissain toiminnoissa. Pyydä paikallisilta viranomaisilta neuvoa.
- Käytä aina kuulonsuojaimia tuotetta käyttäessäsi. Laite on meluisa, ja altistumisen rajoittamiseksi ja melun vähentämiseksi annettujen varoitimien laiminlyönti voi johtaa pysyviin kuulovaurioihin.

- Käytä aina täysiä suojalaseja tuotetta käyttäessäsi. Käytä kokonaamaria tai kauttaaltaan suojaavia suojalaseja. Tavalliset silmälasit tai aurinkolasit eivät tarjota riittävää suojaa. Tehokas ilmavirta voi singota kappaleita milloin vain, ja ne voivat kimmota kovista pinoista käyttäjää kohden.
- Käytä aina tuotetta käyttäessäsi asianmukaisia jalkineita ja pitkiä housuja. Älä käytä laitetta paljasjaloin tai avosandaaleissa. Älä käytä löysiä vaatteita tai vaatteita, joista riippuu nuoria tai siteitä.
- Älä käytä löysiä vaatteita tai koruja, jotka saattaisivat imeytyä ilmanottoon. Sido pitkät hiukset hartioiden yläpuolelle, jotta ne eivät pääse tarttumaan liikkuviin osiin.
- Varmista aina ennen käyttöä, että kaikki hallinta- ja turvallisuuslaitteet toimivat asianmukaisesti. Älä käytä tuotetta, jos Off-kytkin ei sammuta moottoria.
- Käytä tuotetta suositellussa asennossa ja vain vakaalla tasapinnalla.
- Älä käytä laitetta päällystetyllä tai sorapinnalla, jossa singonneet materiaalit voivat aiheuttaa loukkaantumisen.
- Tarkista kotelo vaurioiden varalta ennen jokaista käyttökertaa. Varmista, että suojat ja kahvat ovat paikoillaan ja kiinnitetty asianmukaisesti. Vaihda kuluneet tai vioittuneet osat sarjoina säilyttääksesi tasapainon. Vaihda vioittuneet ja lukukelvottomat kyllit.
- Älä koskaan käytä laitetta, jos lähistöllä on ihmisiä, erityisesti lapsia, tai lemmikkejä.
- Pidä kaikki jäähdytysilman ottoaukot puhtaina.
- Irrota puhallettavaksi tarkoitettut roskat haravalla tai luudalla ennen puhaltamisen aloittamista.
- Siivoa työalue ennen jokaista käyttöä. Poista kaikki sellaiset esineet kuten kivet, lasinpalat, naulat, johdot ja langat, jotka voimakas puhallus voi singota pitkiä matkoja.
- Laitteen pitkittynyt käyttö voi aiheuttaa tai vaikeuttaa vammoja. Kun käytät mitä tahansa laitetta pitkiä aikoja, muista pitää säännöllisiä taukoja.

AKKUKÄYTTÖISEN TYÖKALUN KÄYTTÖ JA HOITO

- Käytä lataukseen ainoastaan valmistajan suosittelemaa laturia. Yhden tyyppiselle akulle sopivan laturin käyttö toisenlaisen akun kanssa voi olla vaarallista.
- Käytä sähkötyökalua ainoastaan sitä varten suunniteltujen akkujen kanssa. Muiden akkujen käyttö voi johtaa loukkaantumiseen ja tulipaloon.
- Kun akkua ei käytetä, pidä se erillään metalliesineistä, kuten paperiliittimistä, kolikoista, avaimista, nauloista, ruuveista ja muista pienistä metalliesineistä, jotka voivat yhdistää akun navat. Akun napojen oikosulkeminen voi aiheuttaa palovammoja ja tulipalon.
- Jos akkua käsitellään väärin, siitä voi vuotaa nestettä; älä kosketa sitä. Jos kosketat sitä vahingossa, huuhtelee se vedellä. Jos nestettä pääsee silmiin, hakeudu välittömästi lääkärin hoitoon. Akusta vuotanut neste voi ärsyttää ihoa ja aiheuttaa palovammoja.
- Vaurioitunutta tai muunneltua akkua tai työkalua ei saa käyttää. Vaurioituneet tai muunnellut akut voivat käyttäytyä odottamattomasti, ja ne voivat johtaa tulipaloon, räjähdykseen, vaaraan tai tapaturmaan.
- Älä altista akkua tai työkalua tulelle tai liian korkealle lämpötilalle. Tullelle tai yli 130°C:n lämpötilalle altistuminen voi johtaa räjähdykseen.
- Noudata kaikkia latausohjeita äläkä lataa akkua tai työkalua muissa kuin ohjeissa määritellyissä lämpötilaolosuhteissa. Virheellinen lataus tai määritellyistä poikkeavat lämpötilat saattavat johtaa akun vaurioitumiseen ja lisätä tulipalon vaaraa.

KÄYTTÖ

- Käytä laitetta ainoastaan säädylliseen aikaan – ei aikaisin aamulla tai myöhään yöllä, jolloin se voi häiritä muita.
- Älä koskaan käytä tuotetta räjähdysalttiissa ympäristössä.
- Älä käytä tuotetta huonolla säällä, erityisesti kun on salamien vaara.
- Pidä sivulliset, lapset ja lemmikit 15 metrin etäisyydellä työalueesta. Sammuta tuote, jos alueelle tulee joku.

- Älä käytä laitetta huonosti valaistuissa olosuhteissa. Käyttäjällä on oltava esteetön näkyvyys työalueelle, jotta hän näkee mahdolliset vaaratekijät.
- Samankaltaisten laitteiden käyttö lähettyvillä kasvattaa kuulovaurion riskiä sekä vaaraa, että joku muu tulee työalueellesi.
- Seiso rinteissä aina tukevasti. Kävele, älä koskaan juokse.
- Pidä vakaa tasapaino. Älä kurkota liian pitkälle. Liian pitkälle kurkotta minen saattaa johtaa tasapainon menettämiseen.
- Älä koskaan käytä laitetta, jos suojat tai suojuukset ovat epäkunnossa tai ilman suojalaitteita.
- Liikkuvien osien kanssa kosketuksiin joutumiseen liittyvän tapaturmavaaran välttämiseksi laite on aina sammutettava ja akkupakkaus poistettava. Varmista, että kaikki liikkuvat osat ovat pysähtyneet täysin:
 - ennen laitteen luota poistumista
 - ennen tukosten selvittämistä
 - ennen tuotteen tarkastusta, puhdistusta ja huoltoa
 - ennen laitteen tarkastusta vierasesineen ilmaantumisen jälkeen
 - Jos tuote alkaa täristä epänormaalisti (tarkista välittömästi).
- Katkaise laitteesta virta välittömästi onnettomuuden tai toimintahäiriön sattuessa. Älä käytä laitetta ennen kuin se on perusteellisesti tutkittu valtuutetussa huoltoliikkeessä.
- Älä muunna laitetta millään tavoin tai käytä osia tai lisävarusteita, jotka eivät ole valmistajan suosittelemia.
- Jos tuote putoaa, saa kovan iskun tai alkaa täristä normaalia enemmän, sammuta se heti ja tarkista se vaurioiden varalta tai paikanna tärinän syy. Vaurioituneet osat on korjattava tai vaihdettava valtuutetussa huoltoliikkeessä.

PUHALTIMEN TURVALLISUUSVAROITUKSET

- Käytä pölyisissä paikoissa hengityssuodatinta, jotta pölyn hengittämisestä aiheutuvat riskit pienenisivät.
- Jos olosuhteet ovat pölyiset, kostuta pintoja hieman.

- Älä käytä laitetta avoimien ikkunoiden lähellä
- Käytä täyttä puhallinsuuttimen jatkoa, jotta ilmasuihku kohdistuu lähelle maata ja toimii tehokkaasti.
- Älä osoita puhaltimen suutinta ihmisiä tai lemmikkejä kohden.
- Älä koskaan aseta kappaleita puhaltimen putkien sisälle.
- Älä sijoita laitetta irtonaisten roskien päälle tai viereen. Ottoaukkoon saattaa imeytyä roskia, mikä aiheuttaa laitteelle vaurioita.

MUITA AKUN TURVALLISUUSVAROITUKSIA

Jotta vältetään lyhytsulun aiheuttama tulipalon, loukkaantumisen tai tuotteen vahingoittumisen vaara, älä koskaan upota työkalua, vaihtoakkua tai latauslaitetta nesteeseen ja huolehdi siitä, ettei mitään nesteitä pääse tunkeutumaan laitteiden tai akkujen sisään. Syövyttävät tai sähköä johtavat nesteet, kuten suolavesi, tietyt kemikaalit ja lalkaisuaaineet tai valkaisuaaineita sisältävät tuotteet voivat aiheuttaa lyhytsulun.

KULJETUS JA VARASTOITAESSA

- Sammuta laite, poista akkupakkaus ja anna laitteen jäähtyä ennen sen varastointia tai kuljetusta.
- Puhdista laitteesta kaikki vieraat materiaalit. Varastoi laite viileään, kuivaan ja hyvin tuuletettuun paikkaan, jossa lapset eivät pääse siihen käsiksi. Pidä tuote erillään syövyttävistä aineista, kuten puutarhakemikaaleista ja jäänestosuolasta. Älä säilytä laitetta ulkona.
- Kiinnitä tuote kuljetettaessa siten, että se ei pääse liikkumaan tai kaatumaan, jotta vältytä loukkaantumisilta ja vaurioilta.

LITIUMAKKUJEN KULJETTAMINEN

Kuljeta akkuja paikallisten ja kansallisten ehtojen ja säädösten mukaisesti.

Noudata kaikkia pakkaamista ja nimeämistä koskevia erikoissäädöksiä, kun kolmas osapuoli kuljettaa akkuja. Varmista, että mikään akku ei kosketa muita akkuja tai johtavaa materiaalia kuljetuksen aikana suojaamalla paljaat navat eristävillä, johtamattomilla korkeilla tai teipillä. Älä kuljeta akkuja, jotka ovat halkeilleet tai vuotavat. Kysy välitysyriykseltä lisäneuvoja.

HUOLTO

Käytä ainoastaan alkuperäisiä valmistajan tuottamia varaosia, lisälaitteita ja lisävarusteita. Tämän noudattamatta jättäminen voi johtaa loukkaantumiseen ja huonoon tulokseen ja voi mitätöidä takuun.

Huolto kaippaa suurta huolellisuutta ja hyvää työkalun tuntemusta: Se on annettava pätevän teknikon tehtäväksi. Teetä huollot ainoastaan valtuutetussa huoltoliikkeessä.

- Varmista aina, että ruuvit ja mutterit ovat tiukasti kiinni, jotta tuote olisi aina turvallinen ja käyttövalmis. Valtuutetun huoltopisteen on korjattava tai vaihdettava vioittuneet osat asianmukaisesti.
- Vie tuote valtuutettuun huoltoon vaurioituneiden ja lukukelvottomien kylttien vaihtamiseksi.
- Sinulla on lupa suorittaa ainoastaan tässä käsikirjassa kuvattuja säätöjä ja korjauksia. Pyydä apua valtuutetusta huollosta muiden korjaus- tai neuvontarpeiden tapauksessa.
- Puhdista tuote aina käytön jälkeen pehmeällä ja kuivalla liinalla.

TUKOKSEN POISTAMINEN

- Liikkuvien osien kanssa kosketuksiin joutumiseen liittyvän tapaturmariskin pienentämiseksi sammuta laite aina, poista akkupakkaus ja varmista, että liikkuvat osat ovat kokonaan pysähtyneet.
- Irrota puhallinputket tukosten tarkistamista varten. Puhdista putket tarvittaessa.
- Asenna puhallintorvet ennen puhaltimen käynnistämistä.

TUNNE TUOTTEESI

Katso sivu 106.

1. Puhaltimen putki
2. Virtakytkin
3. Kädensija
4. Käyttöohjeet
5. Akku
6. Laturi

TUOTTEESSA OLEVAT SYMBOLIT



Kaikki ohjeet on luettava ja ymmärrettävä ennen tuotteen käyttöä. Noudata varoituksia ja turvallisuusohjeita.



Varo sinkoutuneita ja muita lentäviä esineitä. Pidä kaikki sivulliset, erityisesti lapset ja lemmikit, vähintään 15 metrin päässä työskentelyalueelta.



Pyörivät puhaltimet Pidä kädet ja jalat poissa aukoista tuotteen käydessä.



Käytä kuulosuojaimia



Käytä silmäsuojaimia



Älä altista konetta sateelle tai kosteudelle.



Eurooppalainen vaatimustenmukaisuusmerkintä



Brittiläinen vaatimustenmukaisuusmerkintä



EurAsian-vaatimustenmukaisuusmerkki



Ukrainalainen vaatimustenmukaisuusmerkintä



Taattu äänenteho



Käytöstä poistettavia sähkölaitteita ei pidä hävittää talousjätteiden mukana. Ne on mahdollisuuksien mukaan pantava kiertoon. Kierrätysohjeita antavat kunnan viranomaiset ja vähittäiskauppiat.

TÄMÄN KÄSIKIRJAN SYMBOLIT



Huom



Varoitus



Osat ja lisävarusteet on hankittava erikseen

Sikkerhet, ytelse og pålitelighet har fått topp prioritering ved utformingen av den ledningsfrie blåseren.

TILTENKT BRUK

Den ledningsfrie blåseren er beregnet på kun utendørs bruk i tørt vær og med god belysning.

Dette produktet er ikke ment å bli brukt av barn eller personer med nedsatte fysiske, mentale eller sensoriske evner.

Produktet er designet for å blåse lett rusk, som blader, gress og annet hageavfall.

Den skal ikke brukes til noe annet formål

GENERELLE SIKKERHETSADVARSLER

⚠ ADVARSEL! Les alle sikkerhetsadvarslene og alle instruksjonene. Å unnlate å følge advarslene og instruksjonene kan føre til elektrisk støt, brann og alvorlig personskade. Ta vare på disse advarslene og instruksene for å se i dem senere.

⚠ ADVARSEL! Ikke tillat at barn eller personer som ikke er kjent med brukermanualen bruke produktet. Lokale forskrifter fastlegger brukerens minstealder.

OPPLÆRING

- Les instruksjonsmanualen nøye. Gjør deg kjent med styringen og riktig bruk av produktet.
- Husk at operatøren eller brukeren er ansvarlig for uhell og farer som andre personer og deres eiendom får påført.
- Ikke bruk sagen når du er trøtt, syk eller påvirket av stoffer, alkohol eller medisiner.

KLARGJØRING

- Visse regioner har forskrifter som begrenser bruken av produktet til definerte operasjoner. Spør de lokale myndigheter for råd.
- Bruk alltid full hørselvern når du bruker dette produktet. Produktet lager mye støy og kan forårsake permanent hørselskade hvis forholdsregler om å begrense din eksponering og redusere støyen ikke følges nøye.
- Bruk alltid full øyebeskyttelse når du bruker dette produktet. Bruk en fullstendig ansiktsmaske eller fullstendig lukkede vernebriller. Vanlige briller eller solbriller gir ikke tilstrekkelig beskyttelse. Gjenstander kan når som helst bli kastet ut med stor fart av den sterke luftstrømmen og kan sprette tilbake fra harde overflater mot operatøren.

- Når du bruker produktet, ha alltid på gode sko og lange bukser. Ikke bruk maskinen uten sko eller med åpne sandaler. Unngå å bruke klær som er løstsittende eller som har hengende snorer eller belter.

- Ikke bruk løstsittende klær eller smykker som kan bli trukket inn i luftinntakene. Sørg for at langt hår ikke når lenger ned en til skuldrene for å hindre at det kan fanges opp av roterende deler.

- Kontroller før hver bruk at alle styreenheter og sikkerhetsanordninger fungerer som de skal. Ikke bruk dette produktet hvis "av" knappen ikke stanser motoren.

- Bruk produktet kun i anbefalte posisjoner og bare på flate og faste overflater.

- Ikke bruk maskinen på asfaltert eller gruslagt overflate der utkastet materiale kan føre til skade.

- Sjekk alltid produktets ytre for skader før bruk. Sjekk at beskyttelser og håndtak er på plass og festet riktig. Erstatt slitte eller skadede komponenter i sett for å beholde balansen. Erstatt skadede eller uleselige merker/etiketter.

- Ikke bruk maskinen dersom andre personer - og spesielt barn - eller dyr er i nærheten.

- Hold alle luftinntak rene for avfall.

- Bruk rake og kost til å løsne smuss før blåsing.

- Klargjør arbeidsstedet før hver gangs bruk. Fjern alle gjenstander som steiner, knust glass, spiker, wire eller hyssing som kan bli slengt lange avstander med stor fart.

- Hvis man bruker verktøyet for lenge av gangen, kan det føre til eller forverre allerede eksisterende personskade. Når du bruker et verktøy over en lenger tidsperiode, husk å ta regelmessige pauser.

BATTERIPRODUKTER - BRUK OG STELL

- Lad bare med ladere som er spesifisert av produsenten. En lader som passer til en type batteripakke kan skape risiko for brann dersom den brukes til en annen type batteripakke.

- Bruk batteriprodukter kun med spesielt tiltenkte batteripakker. Bruk av andre batteripakker kan føre til risiko for skade og brann.

- Når batteripakken ikke er i bruk, hold den vekke fra metallgjenstander som binders, mynter, nøkler, spiker, skruer og annet som kan forbinde de to terminalene med hverandre. Kortslutning av batteriterminalene kan føre til brenning eller brann.
- Dersom batteriet misbrukes kan det slippe ut væske, unngå hudkontakt med væsken. Hvis du får kontakt med væsken fra batteriet, skyl med rikelige mengder vann. Hvis væsken får kontakt med øynene må det søkes medisinsk hjelp. Væske som kommer ut av batteriet kan føre til irritasjon eller brannskade.
- Ikke bruk et batteri eller verktøy som er skadet eller endret. Batterier som er skadd eller endret, kan oppføre seg uforutsigbart, noe som kan føre til brann, eksplosjon og personskaade.
- Ikke utsett batteriet eller verktøyet for ild eller høy temperatur. Eksponering for brann eller høy temperatur over 130 °C kan føre til eksplosjon.
- Alle ladeinstruksjoner må følges. Ikke lad batteriet eller verktøyet hvis omgivelsestemperaturen er utenfor området som er angitt i bruksanvisningen. Feil lading eller lading ved temperaturer utenfor det angitte området kan ødelegge batteriet og øke risikoen for brann.
- Ha god fotfeste og ballanse til enhver tid. Ikke len deg for langt. Hvis du lener deg for langt, kan du miste balansen.
- Ikke bruk utstyret uten verneinnretninger eller skjærmer, eller uten at sikkerhetsinnretninger er på plass.
- Slå alltid av produktet og ta ut batteriet for å redusere risikoen for personskaade som skyldes kontakt med roterende deler. Påse at alle bevegelige deler har stoppet helt:
 - før produktet etterlates uten oppsyn
 - før fjerning av blokkeringer
 - før kontroll, rensing og arbeider på produktet
 - før inspeksjon av produktet etter treff med et fremmedlegeme
 - hvis produktet starter å vibrere unormalt (sjekk omgående).
- Slå umiddelbart av og fjern batteripakken i tilfelle en ulykke eller svikt. Ikke bruk redskapen igjen før den er nøye kontrollert av et autorisert servicesenter.
- Du må ikke endre maskinen på noe måte eller bruke deler og tilbehør som ikke er anbefalt brukt av produsenten.
- Dersom produktet faller i bakken, får et sterkt slag eller starter å vibrere unormalt, stans produktet omgående og sjekk for skader eller finn ut hva som er årsaken for vibrasjonene. Alle skader bør repareres eller byttes ut av et autorisert senter.

BETJENING

- Bruk maskinen kun til akseptable døgntider - ikke tidlig på morgenen eller sent på natten når folk kan føle seg forstyrret.
- Du må aldri bruke produktet i eksplosive omgivelser.
- Unngå å bruke produktet under dårlige værforhold, spesielt når det er fare for lynnedslag.
- Hold tilskuere, barn og kjæledyr 15 m unna arbeidsområde. Stopp produktet når noen kommer inn på området hvor produktet brukes.
- Ikke bruk produktet ved dårlige lysforhold. Operatøren må ha klar sikt over arbeidsfeltet for å identifisere potensielle farer.
- Bruk av lignende utstyr i nærheten øker faren for både hørselskaade og muligheten for at andre kommer inn i din arbeidssone.
- Sørg for å ha godt fotfeste i skråninger. Gå, du må aldri løpe mens du arbeider med maskinen.

BLÅSER SIKKERHETSADVARSLER

- Bruk ansiktsmaske med filter ved arbeid i støvete miljøer for å redusere risikoen for skader som følge av innånding av støv.
- Fukt overflatene lett dersom det er støvete omgivelser.
- Ikke bruk maskinen i nærheten av åpne vinduer.
- Bruk hele blåserdyseforlengeren slik at luftstrømmen kan arbeide nær bakken og dermed virke på en effektiv måte.
- Ikke rett blåsemunnstykket mot mennesker eller dyr.
- Sett aldri gjenstander inni blåserørene.
- Plasser ikke produktet på toppen av, eller i nærheten av, løst avfall. Smuss kan bli sugd inn i inntaksventilene, noe som kan føre til skader på produktet.

EKSTRA SIKKERHETSINSTRUKSER FOR BATTERI

For å unngå fare for en brann forårsaket av en kortslutning, av personskader eller skader av produktet, må det forhindres at batteripakken eller laderen dryppes i væsker og også sørges for at ingen væsker kan komme inn i apparatene eller batteriene. Korroderende og ledende væsker som saltvann, visse kjemikalier og blekemidler eller produkt som inneholder blekemidler kan forårsake en kortslutning.

TRANSPORT OG LAGRING

- Slå av produktet, ta ut batteripakken og la det kjøles av før lagring eller transport.
- Fjern alle fremmedelementer fra produktet. Lagres på et kjølig, tørt og godt ventilert sted som er utilgjengelig for barn. Hold avstand til korroderende midler som havekjemikalier og avisingssalt. Produktet skal ikke oppbevares utendørs.
- Ved transport må produktet sikres mot å komme i bevegelse eller falle for å unngå skade på personer eller produktet.

TRANSPORTERE LITIUM-BATTERIER

Transporter batterier i henhold til lokale og nasjonale lover og forskrifter.

Følg alle spesialkrav med hensyn til emballering og merking når batterier transporteres av en tredjepart. Påse at ingen batterier kan komme i kontakt med andre batterier eller ledende materialer under transporten ved å beskytte åpne kontakter med isolasjon, ikkeledende lokk eller tape. Ikke transporter batterier som er sprukne eller som lekker. Kontakt speditøren for å få ytterligere råd.

VEDLIKEHOLD

Bruk kun produsentens originale reservedeler, tilleggsutstyr og påsatser. Dersom dette ikke følges, kan det forårsake personskader, dårlig funksjon og kan annullere garantien din.

Service krever meget stor forsiktighet og kunnskap og bør utføres kun av kvalifisert teknisk personale. Få utført service på produktet kun av et autorisert servicesenter.

- Kontroller all mutter, bolter og skruer med jevne mellomrom at de er skrudd fast for å sikre at produktet er i driftssikker stand. Enhver del som er skadet må repareres eller skiftes ut på fagmessig måte ved et autorisert serviceverksted.

- Bring produktet til et autorisert servicesenter for utskifting av skadede eller uleselige etiketter.
- Du kan bare foreta justeringer og reparasjoner som er beskrevet i denne brukermanualen. For andre typer reparasjoner eller råd anbefales det å kontakte et autorisert servicesenter.
- Etter hver bruk, rens produktet med en myk tørr klut.

FJERNING AV EN BLOKKERING

- For å redusere risikoen for skade tilknyttet kontakt med bevegelige deler, slå alltid av produktet, fjern batteripakken og se til at alle bevegelige deler har kommet til en fullstendig stopp.
- Fjern blåserørene for å se etter blokkering. Rengjør om nødvendig rørene.
- Reinstaller blåserlangene før start av produktet.

KJENN PRODUKTET DITT

Se side 106.

1. Blåserøret
2. Av/PÅ-bryter
3. Håndtak
4. Brukermanual
5. Batteri
6. Lader

SYMBOLER PÅ PRODUKTET



Les og forstå alle instruksjoner før du betjener produktet. Følg alle advarsler og sikkerhetsanvisninger.



utkastede Pass opp for gjenstander som slynges ut eller flyr i luften. Hold alle tilskuere, spesielt barn og kjæledyr, på en avstand på minst 15 m fra driftsområdet.



Roterende vifter. Hold hender og føtter unna åpninger mens produktet er i gang.



Bruk hørselsvern



Bruk øyebeskyttelse



Ikke utsette for regn eller fuktige forhold.



Europeisk samsvarsmerking



Britisk samsvarsmerking



EurAsian samsvarsmerke



Ukrainsk samsvarsmerking



Garantert lydeffektnivå



Avfall fra elektriske produkter skal ikke kastes sammen med husholdningsavfall. Vennligst resirkulervedeksisterende avfallsbehandlingssted. Undersøk hos dine lokale myndigheter eller forhandler for råd om resirkulering.

SYMBOLER I DENNE MANUALEN



Merk



Advarsel



Deler eller tilbehør som er tilgjengelige separat

При производстве беспроводной воздуходувки наибольшее внимание уделяется безопасности, эксплуатационным характеристикам и надежности инструмента.

НАЗНАЧЕНИЕ

Беспроводная воздуходувка предназначена для использования только вне помещений, в сухом, хорошо освещенном месте.

Данное устройство не предназначено для использования детьми или лицами с ограниченными физическими, психическими или сенсорными возможностями.

Изделие предназначено для сдувания листьев, травы и другого легкого садового мусора.

Не используйте устройство для каких-либо иных целей.

ОБЩИЕ ПРАВИЛА БЕЗОПАСНОСТИ

⚠ ОСТОРОЖНО! Прочтите все предупреждения и инструкции по технике безопасности. Несоблюдение приводимых ниже предупреждений и инструкций может привести к поражению электрическим током, возгоранию или тяжким телесным повреждениям. Сохраните все предупреждения и инструкции по технике безопасности для последующего использования.

⚠ ОСТОРОЖНО! Никогда не позволяйте детям или людям, незнакомым с этими инструкциями, использовать данное изделие. Местные инструкции могут ограничить возраст оператора.

БУЧЕНИЕ

- Внимательно прочтите данные инструкции. Ознакомьтесь с элементами управления и правильным использованием устройства.
- Иметь в виду, что оператор или пользователь ответственны за несчастные случаи или опасности, встречающиеся другим людям или их собственности.
- Воздержитесь от использования изделия, если вы ощущаете усталость или болезненное состояние, а также под воздействием наркотиков, алкоголя или медицинских препаратов.

ПОДГОТОВКА

- В некоторых регионах существуют ограничения на использование некоторых операций с данным устройством. Проконсультируйтесь с местными органами власти.
- Обязательно носите специальные устройства для защиты слуха. Изделие работает шумно и несоблюдение мер предосторожности в отношении длительности воздействия и уровня шума может стать причиной необратимой травмы органов слуха.
- Обязательно носите специальные устройства защиты зрения. Используйте полнолицевую маску или защитные очки закрытого типа. Обычные очки или солнцезащитные очки не являются надлежащей защитой. Мощная струя воздуха может привести к быстрому отлетанию посторонних предметов и их отскоку от твердых поверхностей в сторону оператора.
- Во время эксплуатации изделия всегда носите специальную обувь и длинные брюки. Не работайте с инструментом босиком или в открытых сандалиях. Не надевайте свободную одежду или одежду со свисающими шнурками или узлами.
- Не носите просторную одежду или ювелирные украшения, которые могут застрять в воздухозаборное отверстие. Соберите длинные волосы выше плеч, чтобы предотвратить их попадание в движущиеся части.
- Убедитесь перед каждым использованием, что все элементы управления и предохранительные устройства функционируют правильно. Не используйте устройство, если невозможно остановить двигатель выключателем.
- Работайте с устройством, занимая рекомендуемое положение и только на твердой, ровной поверхности.
- Не работайте синструментом на мощеной или покрытой гравием поверхности, так как при этом выбрасываемый материал может привести к телесным повреждениям.

- Проверяйте корпус изделия на предмет повреждений перед каждым использованием. Убедитесь в том, что защитные приспособления и ручки находятся на месте и надежно закреплены. Замените изношенные или поврежденные, чтобы обеспечить балансировку. Замените поврежденные или нечитаемые наклейки.
- Не работайте с устройством, если рядом присутствуют посторонние лица, особенно дети, а также домашние животные.
- Очищайте от мусора вентиляционные отверстия для охлаждения двигателя.
- Перед использованием удалите мусор с помощью граблей или метлы.
- Перед каждым использованием проверяйте рабочую зону. Уберите такие объекты, как камни, осколки стекла, гвозди, провода или шнуры, которые могут далеко отлететь под воздействием быстрого потока воздуха.
- Слишком продолжительное использование инструмента может привести к травме. При использовании инструмента в течение длительного времени делайте регулярные перерывы.
- При ненормальных условиях из батареи может вытечь жидкость, избегайте контакта с ней. Если этого избежать не удалось, смойте жидкость водой. Если жидкость попала в глаза, после их промывания обратитесь за медицинской помощью. Жидкость, вытекающая из батареи, может вызвать раздражение или ожог.
- Не используйте поврежденный или модифицированный аккумуляторный блок и инструмент. Поврежденные или модифицированные аккумуляторы могут вести себя непредсказуемо, что может привести к пожару, взрыву или послужить причиной травмы.
- Не подвергайте аккумуляторный блок и инструмент воздействию огня и высокой температуры. Воздействие огня или температуры выше 130°C может привести к взрыву.
- Заряжайте аккумуляторные блоки и инструмент в соответствии с инструкцией, не подвергая их при этом воздействию температур вне диапазона, указанного в инструкции. Несоблюдение инструкций и зарядка при воздействии температур вне диапазона, указанного в инструкции, может привести к повреждению аккумулятора и повысить риск возгорания.

ЭКСПЛУАТАЦИЯ УСТРОЙСТВА С АККУМУЛЯТОРНЫМ ПИТАНИЕМ И УХОД ЗА НИМ

- Зарядку выполняйте только с использованием зарядного устройства, указанного изготовителем. Зарядное устройство, подходящее к одному типу аккумуляторных батарей, может создать опасность возгорания при использовании с аккумуляторными батареями другого типа.
- Используйте электрические устройства только со специально предназначенными для них аккумуляторными батареями. Использование аккумуляторных батарей другого типа может привести к телесным повреждениям или возгоранию.
- Если аккумуляторная батарея не используется, храните ее отдельно от других металлических предметов, например канцелярских скрепок, монет, ключей, гвоздей, винтов и других мелких металлических предметов, которые могут привести к замыканию контактов батареи. Замыкание контактов батареи может вызвать ожоги или привести к возгоранию.

ЭКСПЛУАТАЦИЯ

- Используйте устройство только в рабочее время, а не рано утром или поздно вечером, когда это может мешать окружающим.
- Никогда не используйте изделие во взрывоопасной атмосфере.
- Избегайте использования устройства в плохих погодных условиях, особенно когда существует риск попадания молнии.
- Не допускайте прохожих, детей и домашних животных ближе чем на 15 м от рабочей зоны. Остановите устройство, если кто-то войдет в рабочую зону.
- Использование изделия в условиях слабого освещения не допускается. Оператор должен четко видеть рабочую зону в целях выявления потенциальных опасностей.
- Эксплуатация аналогичных устройств вблизи рабочей зоны повышает риск повреждения слуха и опасность появления посторонних лиц в вашей рабочей зоне.

- Обеспечьте устойчивость ног при работе на склонах. Передвигайтесь шагом, не бегайте.
- Держать устойчивую опору и баланс. Не перенапрягать. Перенапряжение может кончатся потерей баланса.
- Не пользуйтесь инструментом в случае повреждения защитных устройств или без установленных щитков или других защитных приспособлений.
- Всегда выключайте инструмент и извлекайте аккумуляторный блок, чтобы исключить риск травмы при контакте с движущимися деталями. Убедитесь в полной остановке всех движущихся деталей:
 - перед тем, как оставить инструмент без присмотра
 - перед устранением засоров
 - перед проверкой, чисткой и техобслуживанием продукта;
 - перед проверкой изделия после удара о посторонний предмет
 - если продукт начинает вибрировать (проверьте немедленно).
- В случае аварии или поломки незамедлительно выключите устройство и извлеките аккумуляторный блок. Не используйте устройство, обратитесь в гарантийное обслуживание для дальнейшей проверки.
- Запрещается каким-либо образом изменять конструкцию устройства или использования детали и принадлежности, не рекомендованные производителем.
- Если устройство уронили, оно издает громкий стук или начинает чрезмерно вибрировать, немедленно остановите его и проверьте на наличие повреждений или выясните причину вибрации. Работы по ремонту и замене неисправных деталей должны проводиться в авторизованном центре.

ПРЕДОСТЕРЕЖЕНИЯ ОТНОСИТЕЛЬНО БЕЗОПАСНОГО ПОЛЬЗОВАНИЯ ВОЗДУХОДУВКОЙ

- Для снижения опасности травмирования, связанного с вдыханием пыли при повышенной запыленности, надевайте на лицо защитную маску.
- Слегка смочите поверхности в условиях сильной запыленности.
- Не работайте с устройством вблизи открытых окон.
- Используйте дополнительную насадку воздуходувки, чтобы поток воздуха был близко к земле для максимальной эффективности.
- Не направляйте выходное отверстие в режиме выдувания на людей или домашних животных.
- Не допускайте попадания посторонних предметов в трубки воздуходувки.
- Не помещайте инструмент на сыпучий мусор или рядом с ним. Мусор может затянуться в воздухозаборник и привести к повреждению устройства.

ТРЕБОВАНИЯ БЕЗОПАСНОСТИ ПРИ ИСПОЛЬЗОВАНИИ ДОПОЛНИТЕЛЬНОЙ АККУМУЛЯТОРНОЙ БАТАРЕИ

Для предотвращения опасности пожара в результате короткого замыкания, травм и повреждения изделия не опускайте инструмент, сменный аккумулятор или зарядное устройство в жидкости и не допускайте попадания жидкостей внутрь устройств или аккумуляторов. Коррозионные и проводящие жидкости, такие как соленый раствор, определенные химикаты, отбеливающие средства или содержащие их продукты, могут привести к короткому замыканию.

ТРАНСПОРТИРОВКА И ХРАНЕНИЕ

- Перед размещением на хранение или транспортировкой выключите изделие, извлеките аккумуляторный блок и дождитесь остывания изделия.
- Очистите устройство от всех посторонних материалов. Храните его в прохладном, сухом, хорошо проветриваемом и недоступном для детей месте. Оберегайте от веществ, вызывающих коррозию, например, садовых удобрений или соли для удаления льда. Запрещается хранить изделие на улице.
- Для транспортировки закрепите изделие так, чтобы оно не могло перемещаться или упасть во избежание травмирования персонала или повреждения изделия.

ПЕРЕВОЗКА ЛИТИЕВЫХ БАТАРЕЙ

Транспортировку батареи осуществляйте в соответствии местными и национальными нормами и положениями.

Следуйте всем особым требованиям к упаковке и маркировке при транспортировке батареи в сторонние организации. Проверьте, чтобы батарея не соприкасалась с другими батареями или токопроводящими материалами во время транспортировки, защитив открытые контакты с помощью изоляции, непроводящих колпачков или пленки. Не транспортируйте поврежденные или протекающие батареи. За консультацией обращайтесь в транспортно-экспедиционную компанию.

ОБСЛУЖИВАНИЕ

Используйте только оригинальные запчасти, аксессуары и насадки от производителя. Невыполнение этого требования может привести к травме, к снижению производительности и к аннулированию гарантии.

Обслуживание требует чрезвычайной заботы и знания и должно быть выполнено только квалифицированным техником обслуживания. Обратитесь в авторизованный сервисный центр.

- Проверить все болты, задвижки, и винты, через короткие интервалы, на надлежащую плотность, чтобы убедиться, что изделие находится в безопасном, рабочем состоянии. В случае повреждения какой-либо детали необходимо обратиться в авторизованный сервисный центр для выполнения надлежащего ремонта или замены.
- Обратитесь в авторизованный сервисный центр для замены поврежденных или нечитаемых этикеток изделия.
- Вы можете выполнять работы по регулировке и обслуживанию, которые описаны в данном руководстве. Для проведения других ремонтных работ или за получением рекомендаций обращайтесь в авторизованный сервисный центр.
- После каждого использования протирайте изделие мягкой сухой тканью.

ОЧИСТКА ЗАСОРЕНИЯ

- Чтобы снизить риск получения травмы при контакте с подвижными деталями, всегда выключайте изделие, извлекайте аккумулятор и дождитесь остановки всех движущихся деталей.
- Отсоедините воздушные трубки и осмотрите их на предмет засорения. Очистите трубки, если необходимо.
- Перед запуском изделия установите трубки воздухоудовки.

ИЗУЧИТЕ УСТРОЙСТВО

См. стр. 106.

1. Трубка выдувания
2. Выключатель ВКЛ/ВЫКЛ
3. Рукоятка
4. Руководство пользователя
5. Аккумулятор
6. Зарядное устройство

УСЛОВНЫЕ ОБОЗНАЧЕНИЯ НА ПРОДУКТЕ



Перед началом работы с изделием внимательно ознакомьтесь со всеми инструкциями. Соблюдайте технику безопасности.



Помните об опасности, которую представляют собой отбрасываемые устройством или вылетающие из-под него предметы. Не допускайте приближения посторонних лиц, особенно детей и домашних животных к рабочей зоне ближе чем на 15 м



Вращающиеся вентиляторы. Не приближайтесь к отверстиям во время работы устройства.



Следует надевать средства защиты органов слуха



Используйте средства защиты органов зрения



Не подвергайте инструмент воздействию дождя и не используйте в условиях повышенной влажности.



Знак соответствия европейским стандартам



Знак соответствия стандартам Великобритании



Знак Евразийского Соответствия



Знак соответствия Украины



Гарантируемый уровень звуковой мощности



Отработанная электротехническая продукция должна уничтожаться вместе с бытовыми отходами. Утилизируйте, если имеется специальное техническое оборудование. По вопросам утилизации проконсультируйтесь с местным органом власти или предприятием розничной торговли.

УСЛОВНЫЕ ОБОЗНАЧЕНИЯ В ДАННОМ РУКОВОДСТВЕ



Примечание



Осторожно



Детали или принадлежности, приобретаемые отдельно

Транспортировка:

Категорически не допускается падение и любые механические воздействия на упаковку при транспортировке.

При разгрузке/погрузке не допускается использование любого вида техники, работающей по принципу зажима упаковки.

Хранение:

Необходимо хранить в сухом месте.

Необходимо хранить вдали от источников повышенных температур и воздействия солнечных лучей.

При хранении необходимо избегать резкого перепада температур.

Хранение без упаковки не допускается.

Срок службы изделия:

Срок службы изделия составляет 5 лет.

Не рекомендуется к эксплуатации по истечении 5 лет хранения с даты изготовления без предварительной проверки.

Дата изготовления (код даты) отштампован на поверхности корпуса изделия.

Пример:

W17 Y2015, где Y2015 - год изготовления

W17 – неделя изготовления

Определить месяц изготовления можно согласно приведенной ниже таблице, на примере 2015 года.

Обратите внимание! Количество недель в месяце различается от года в год.

Месяц	Январь	Февраль	Март	Апрель	Май	Июнь	Июль	Август	Сентябрь	Октябрь	Ноябрь	Декабрь	Год
Неделя	01	05	09	14	18	22	27	31	36	40	44	49	2015
	02	06	10	15	19	23	28	32	37	41	45	50	
	03	07	11	16	20	24	29	33	38	42	46	51	
	04	08	12	17	21	25	30	34	39	43	47	52	
	05	09	13	18	22	26	31	35	40	44	48	53	
		14			27								

- EN
- FR
- DE
- ES
- IT
- NL
- PT
- DA
- SV
- FI
- NO
- RU**
- PL
- CS
- HU
- RO
- LV
- LT
- ET
- HR
- SL
- SK
- BG
- UK
- TR

Najwyższymi priorytetami w trakcie projektowania zakupionej przez Państwa dmuchawy bezprzewodowej były bezpieczeństwo, wydajność i niezawodność.

PRZEZNACZENIE URZĄDZENIA

Dmuchawa bezprzewodowa przeznaczona jest wyłącznie do użytku poza pomieszczeniami, w miejscach suchych i dobrze wentylowanych.

Produkt ten nie jest przeznaczony do użytkowania przez dzieci lub osoby o ograniczonych zdolnościach fizycznych, umysłowych lub sensorycznych.

Produkt przeznaczony jest do zdmuchiwania lekkich zanieczyszczeń, takich jak liście, trawa i inne odpady ogrodowe.

Nie używać do żadnych innych celów.

OGÓLNE OSTRZEŻENIA DOTYCZĄCE BEZPIECZEŃSTWA

⚠ OSTRZEŻENIE! Zapoznaj się ze wszystkimi zasadami bezpieczeństwa i instrukcjami. Niezastosowanie się do ostrzeżeń i instrukcji może spowodować porażenie prądem, pożar oraz/lub poważne obrażenia ciała. Zachowajcie te ostrzeżenia i zalecenia, aby móc się do nich odnieść w późniejszym czasie.

⚠ OSTRZEŻENIE! Nigdy nie wolno pozwalać obsługiwać tego produktu dzieciom ani osobom nieznanym tych instrukcji. Lokalne przepisy mogą ograniczać dopuszczalny wiek operatora.

SZKOLENIE

- Przeczytać uważnie wszystkie instrukcje. Należy zapoznać się z przyrządami sterowania oraz zasadami prawidłowej obsługi produktu.
- Należy pamiętać, że operator lub użytkownik jest odpowiedzialny za spowodowanie wypadku lub zagrożenia bezpieczeństwa osób i mienia.
- Nie należy przystępować do pracy, będąc zmęczonym, chorym lub pod wpływem narkotyków, alkoholu albo leków.

PRZYGOTOWANIE

- W niektórych regionach obowiązują przepisy ograniczające używanie produktu w przypadku określonych działań. Informacje na ten temat można uzyskać w lokalnych urzędach.

- Podczas obsługi produktu przez cały czas należy stosować pełne zabezpieczenie słuchu. Produkt jest głośny, a nieprzestrzeganie środków ostrożności mających na celu ograniczenie narażenia i zmniejszenie hałasu w sposób ścisły może spowodować trwale uszkodzenie słuchu.
- Podczas obsługi produktu przez cały czas należy stosować pełne zabezpieczenie oczu. Nosić maskę pełnotwarzową lub całkowicie zamknięte gogle. Standardowe okulary lub okulary przeciwświatłocenne nie zapewniają wymaganego zabezpieczenia. Obiekty w każdej chwili mogą być odrzucone z dużą szybkością przez wydajny nadmuch powietrza i mogą odbić się od twardej powierzchni, uderzając operatora.
- Podczas obsługi produktu zawsze należy nosić odpowiednie obuwie oraz długie spodnie. Nie wolno obsługiwać urządzenia będąc boso, lub mając założone lekkie obuwie typu sandały. Unikać zakładania luźnej odzieży, ze sznurkami lub krawatem.
- Nie należy nosić luźnej odzieży lub biżuterii, która może być wciągnięta do wlotu powietrza. Długie włosy należy związać, aby znajdowały się powyżej ramion i aby nie zostały pochwycone przez maszynę.
- Przed użyciem należy sprawdzić, czy wszystkie przyrządy sterowania oraz zabezpieczenia działają prawidłowo. Nie należy używać narzędzia, jeśli wyłącznik („off”) nie umożliwia wyłączenia produktu.
- Produkt należy obsługiwać w rekomendowanej pozycji oraz jedynie na równej i stabilnej powierzchni.
- Nie uruchamiać maszyny na powierzchni żwirowej lub utwardzonej, gdzie wyrzucany materiał może spowodować zranienie.
- Przed każdym użyciem zawsze należy sprawdzić, czy obudowa nie jest uszkodzona. Należy upewnić się, że osłony i uchwyty znajdują się na swoim miejscu i są dobrze zamocowane. Zużyte lub uszkodzone elementy należy wymienić całymi zestawami, aby zachować odpowiednie wyważenie. Wymienić uszkodzone lub nieczytelne etykiety.
- Nie wolno używać tego urządzenia, gdy w pobliżu znajdują się osoby postronne, szczególnie dzieci lub zwierzęta.
- Wszelkie otwory wentylacyjne należy utrzymywać w stanie wolnym od zanieczyszczeń.



- Przed włączeniem dmuchawy należy usunąć z niej pozostałości za pomocą grabi i miotły.
- Oczyszczyć miejsce pracy każdorazowo przed rozpoczęciem pracy. Należy usunąć wszelkie objekty, takie jak kamienie, szkło, gwoździe, drut itp. ponieważ mogą być one odrzucone przez sprężone powietrze.
- Długotrwałe użytkowanie narzędzia może spowodować obrażenia ciała lub nasilić dolegliwości zdrowotne. W przypadku używania narzędzia przed dłuższy czas należy pamiętać o regularnych przerwach.

UŻYTKOWANIE I OBSŁUGA AKUMULATORA

- Ładować wyłącznie za pomocą ładowarki dostarczonej przez producenta. Ładowarka przeznaczona do jednego modelu akumulatora może być przyczyną pożaru w przypadku zastosowania do ładowania akumulatora innego typu.
- Używać narzędzi ręcznych z napędem elektrycznym wyłącznie z akumulatorami przeznaczonymi do tych urządzeń. Używanie innych akumulatorów wiąże się ze zwiększonym ryzykiem pożaru lub obrażeń ciała.
- Gdy akumulator nie jest używany, przechowywać go z dala od innych metalowych przedmiotów, np. spinaczy, monet, kluczy, gwoździ, śrub lub innych małych metalowych przedmiotów, które mogłyby utworzyć połączenie między stykami, prowadząc do zwarcia. Zwarcie styków akumulatora może spowodować oparzenia lub pożar.
- W przypadku niewłaściwej obsługi może dojść do wycieku płynu z akumulatora, należy unikać kontaktu z tym płynem. Miejsce ewentualnego kontaktu przepłukać wodą. W przypadku, gdy płyn dostanie się do oczu, po przemyciu zwrócić się o pomoc do lekarza. Płyn wyciekający z akumulatora może powodować podrażnienia i oparzenia.
- Nie stosować uszkodzonych ani zmodyfikowanych akumulatorów i narzędzi. Uszkodzone lub zmodyfikowane akumulatory mogą zachowywać się w sposób nieprzewidywalny, co może prowadzić do pożaru, wybuchu lub ryzyka obrażeń.
- Nie narażać akumulatora lub narzędzia na działanie ognia lub zbyt wysokiej temperatur. Narażenie na działanie ognia lub temperatury powyżej 130°C może spowodować wybuch.

- Przestrzegać wszystkich instrukcji ładowania i nie ładować akumulatora ani narzędzia poza podanym w instrukcji zakresem temperatur. Ładowanie w niewłaściwy sposób lub w temperaturze poza określonym zakresem może doprowadzić do uszkodzenia akumulatora i wzrostu zagrożenia pożarowego.

SPOSÓB UŻYCIA

- Z maszyny można korzystać wyłącznie w rozsądnych godzinach, a nie wcześniej rano lub późno w nocy, zakłócając spokój innych ludzi.
- Nigdy nie wolno używać produktu w wybuchowej atmosferze.
- Należy unikać używania produktu w złych warunkach pogodowych, szczególnie jeśli występuje ryzyko wyładowań atmosferycznych.
- Osoby postronne, dzieci i zwierzęta muszą znajdować się w odległości przynajmniej 15 metrów od miejsca pracy. Jeśli na obszarze znajduje się inna osoba, należy zatrzymać produkt.
- Nie włączać produktu w miejscach źle oświetlonych. Miejsce pracy musi być dobrze widoczne, aby operator mógł zidentyfikować potencjalne zagrożenia.
- Praca podobnych narzędzi w pobliżu zwiększa ryzyko urazu słuchu oraz wtargnięcia innej osoby na miejsce pracy.
- Na zboczach należy zawsze stać w sposób pewny. Podczas pracy należy chodzić, nie wolno biegać.
- Stać stabilnie, zachowując równowagę. Nie wychylać się nadmiernie. Sięganie zbyt daleko grozi utratą równowagi.
- Nie wolno używać urządzenia z uszkodzonymi osłonami lub pokrywami lub bez elementów zabezpieczających.
- Aby ograniczyć ryzyko obrażeń związanych z kontaktem z obracającymi się częściami, zawsze wyłączać produkt i wyjmować akumulator. Upewnić się, że wszystkie elementy ruchome zostały całkowicie zatrzymane:
 - przed pozostawieniem produktu bez nadzoru
 - przed przystąpieniem do usuwania zatorów
 - przed sprawdzeniem, czyszczeniem i użytkowaniem produktu,



- przed przystąpieniem do sprawdzania produktu po uderzeniu w inny przedmiot
 - jeśli produkt zacznie wibrować w nietypowy sposób (należy natychmiast przeprowadzić kontrolę).
- W razie wypadku lub awarii natychmiast wyłączyć i wymontować akumulator. Nie należy włączyć produktu ponownie, dopóki nie zostanie w pełni sprawdzony przez autoryzowane centrum serwisowe.
 - Nie należy modyfikować maszyny w żaden sposób ani używać części i akcesoriów, które nie są zalecane przez producenta.
 - W przypadku upuszczenia produktu, narażenia jej na silne uderzenie lub w przypadku wystąpienia nietypowych wibracji należy natychmiast zatrzymać produkt i sprawdzić, czy nie ma oznak uszkodzenia lub ustalić przyczynę wibracji. Wszelkie uszkodzone elementy powinny zostać prawidłowo naprawione lub wymienione przez autoryzowany serwis.

OSTRZEŻENIA DOTYCZĄCE BEZPIECZEŃSTWA PRACY Z DMUCHAWĄ

- W przypadku wytwarzania dużej ilości kurzu, aby zapobiec jego wdychaniu, należy stosować maskę przeciwpyłową.
- W przypadku dużego zapylenia należy lekko zwilżyć powierzchnię.
- Nie uruchamiać urządzenia w pobliżu otwartych okien.
- Należy używać szerokiej dyszy, tak aby strumień powietrza mógł być prowadzony blisko ziemi i produkt pracował optymalnie.
- Nie wolno kierować dyszy dmuchawy w kierunku osób postronnych lub zwierząt.
- Nigdy nie wolno wkładać obiektów do rur dmuchawy.
- Nie umieszczać produktu na lub w pobliżu leżących luzem odpadów. Gruz może zostać wciągnięty przez otwory powietrza dolotowego, co może spowodować uszkodzenie urządzenia.

AKUMULATOR — DODATKOWE OSTRZEŻENIA DOTYCZĄCE BEZPIECZEŃSTWA

Aby uniknąć niebezpieczeństwa pożaru, obrażeń lub uszkodzeń produktu na skutek zwarcia, nie wolno zanurzać narzędzia,

akumulatora wymiennego ani ładowarki w cieczach i należy zatroszczyć się o to, aby do urządzeń i akumulatorów nie dostały się żadne ciecze. Zwarcie spowodować mogą korodujące lub przewodzące ciecze, takie jak woda morska, określone chemikalia i wybielacze lub produkty zawierające wybielacze.

TRANSPORT I PRZECHOWYWANIE

- Przed odłożeniem bądź rozpoczęciem transportu lub składowania wymontować akumulator i poczekać, aż produkt ostygnie.
- Usunąć z produktu wszelkie zanieczyszczenia. Należy przechowywać urządzenie w chłodnym, suchym i dobrze wentylowanym miejscu, które jest niedostępne dla dzieci. Nie przechowywać urządzenia wraz z materiałami korozyjnymi, takimi jak ogrodowe substancje chemiczne lub sól odmrażająca. Nie przechowywać produktu poza pomieszczeniami.
- W przypadku transportu produktu należy zabezpieczyć go przed przemieszczaniem się lub upadkiem, aby nie dopuścić do obrażeń ciała lub uszkodzenia urządzenia.

TRANSPORTOWANIE AKUMULATORÓW LITOWYCH

Akumulatory należy transportować zgodnie z lokalnymi i krajowymi przepisami i regulacjami.

Należy postępować zgodnie z wszystkimi specjalnymi wymaganiami dotyczącymi pakowania i etykietowania akumulatorów podczas transportu przez stronę trzecią. Upewnij się, że żadne akumulatory nie zetkną się z innymi akumulatorami lub materiałami przewodzącymi podczas transportu; w tym celu należy zabezpieczyć odkryte złącza nieprzewodzącymi nakładkami izolacyjnymi lub taśmą izolacyjną. Nie należy transportować pękniętych ani nieszczelnych akumulatorów. Szczegółowe porady można uzyskać w firmie spedycyjnej.

KONSERWACJA

Należy stosować wyłącznie oryginalne części zamienne, akcesoria oraz przystawki producenta. W przeciwnym razie może dojść do obrażeń ciała, niskiej wydajności oraz do unieważnienia gwarancji.

Serwisowanie produktu wymaga najwyższej ostrożności i wiedzy oraz powinno być wykonywane wyłącznie przez wykwalifikowanego serwisanta. Serwisowanie należy powierzać wyłącznie autoryzowanemu serwisowi.

- Systematycznie sprawdzać, czy wszystkie nakrętki, wkręty i śruby są dobrze dokręcone, aby upewnić się, że produkt jest w bezpiecznym stanie. Każda uszkodzona część musi zostać naprawiona lub wymieniona w autoryzowanym serwisie.
- Jeśli etykiety są uszkodzone lub nieczytelne, należy zwrócić produkt do punktu serwisowego w celu wymiany etykiet.
- Użytkownik może jedynie wykonywać czynności regulacyjne i naprawcze opisane w tej instrukcji obsługi. W przypadku innych napraw lub pytań należy zwrócić się o pomoc do autoryzowanego punktu serwisowego.
- Po każdym użyciu należy wyczyścić produkt miękką, suchą szmatką.

USUWANIE ZABLOKOWANYCH ELEMENTÓW

- Aby zmniejszyć ryzyko wypadku wynikające z zetknięcia z częściami w ruchu, zawsze zatrzymać produkt, wymontować akumulator i sprawdzić, czy wszystkie części ruchome całkowicie się zatrzymały.
- Zdemontować rury nadmuchowe w celu sprawdzenia, czy żadne pozostałości nie blokują urządzenia. W razie potrzeby usunąć obce objekty.
- Przed uruchomieniem produktu ponownie zainstalować rury dmuchawy.

POZNAJ SWÓJ PRODUKT

Patrz str. 106.

1. Rura nadmuchu
2. Wylłącznik WŁĄCZENIE/WYŁĄCZENIE
3. Rękojeść
4. Instrukcja obsługi
5. Akumulator
6. Ładowarka

SYMBOLE UMIESZCZONE NA PRODUKCIE



Przed przystąpieniem do obsługi produktu należy przeczytać ze zrozumieniem wszystkie instrukcje. Należy przestrzegać wszystkich ostrzeżeń i instrukcji dotyczących bezpieczeństwa.



Uwaga na odrzucone przedmioty. Dopilnować, aby wszyscy gapie — zwłaszcza dzieci, a także zwierzęta — znajdowali się co najmniej 15 m od obszaru pracy.



Obracające się wentylatory. Nie należy zbliżać rąk ani nóg do otworów podczas pracy produktu.



Nosić środki ochrony słuchu



Zakładać środki ochrony wzroku



Nie wystawiać urządzenia na działanie deszczu ani nie używać w miejscach o dużej wilgotności.



Symbol zgodności z przepisami europejskimi



Symbol zgodności z przepisami brytyjskimi



Oznaczenie zgodności EurAsian



Symbol zgodności z przepisami ukraińskimi



Gwarantowany poziom mocy akustycznej



Zużyte produkty elektryczne nie powinny być utylizowane z odpadami domowymi. Prosimy poddawać recyklingowi w odpowiednich miejscach. Informacje o właściwych metodach recyklingu można uzyskać u władz lokalnych lub sprzedawcy.

SYMBOLE STOSOWANE W NINIEJSZEJ INSTRUKCJI



Uwaga



Ostrzeżenie!



Części lub akcesoria sprzedawane oddzielnie

Při návrhu fukaru byl kladen obzvláštní důraz na bezpečnost, výkon a spolehlivost.

ZAMÝŠLENÉ POUŽITÍ

Elektrický fukar je určen pouze pro použití venku za sucha a při dobrém osvětlení.

Tento nástroj není určen pro používání osobami, včetně dětí, pokud jsou jejich fyzické, pohybové nebo mentální schopnosti sníženy.

Tento přístroj je navržen k odfukování lehkého smetí, například listí, trávy a dalšího zahradního odpadu.

Přístroj nepoužívejte ji k jiným účelům.

VŠEOBECNÁ BEZPEČNOSTNÍ VAROVÁNÍ

⚠ VAROVÁNÍ! Přečtěte si všechny pokyny a bezpečnostní varování. Opomenutí dodržování varování a pokynů uvedených níže může způsobit úraz elektrinou požár a/nebo vážná poranění osob. Uchovejte všechny pokyny a upozornění, abyste se k nim mohli v budoucnosti vrátit.

⚠ VAROVÁNÍ! Nenechte děti nebo osoby neseznámené s těmito pokyny pracovat s výrobkem. Místní předpisy mohou omezovat dobu obsluhy.

ZAŠKOLENÍ

- Návod si pečlivě přečtěte. Seznamte se s ovládáním a řádným používáním nástroje.
- Uživatel nebo obsluha tohoto zahradnického nástroje je zodpovědná za nehody nebo nebezpečí způsobená na jiné osobě nebo jejich majetku.
- Pilu nepoužívejte při únavě nebo v nemoci ani pod vlivem drog, alkoholu nebo léků.

PŘÍPRAVA

- Místní předpisy mohou omezovat použití výrobku. Ověřte si u svého orgánu místní správy toto nařízení.
- Při práci s nástrojem vždy používejte ochranu sluchu. Výrobek je hlučný a nemusí bezesbytku splňovat hygienické požadavky omezující vaši expozici, což může vyústit v nevratné poškození sluchu.
- Při práci s nástrojem vždy používejte ochranu zraku. Používejte celoobličejovou masku nebo uzavřené ochranné brýle.

Dioptrické ani sluneční brýle nejsou vhodnou ochranou. Objekty mohou být odmršťovány vysokou rychlostí silným proudem vzduchu a mohou se odrážet od pevných povrchů směrem k obsluze.

- Když s nástrojem pracujete, noste vždy pevnou obuv a dlouhé kalhoty. Se zařízením nepracujte, pokud máte obuty sandály s otevřenou špičkou, nebo pokud jste bosí. Zamezte nošení volných oděvů, nebo které mají vlající šňurky nebo pásky.
- Nenoste volné oblečení nebo šperky, mohou se zachytit do nasávání vzduchu. Dlouhé vlasy si svažte nad rameny, aby se nemohly zaplést do pohyblivých částí.
- Před každým použitím se ujistěte, že všechny ovladače a jištění řádně fungují. Nástroj nepoužívejte, pokud přepínač „nevypíná“ (off) nástroj.
- Výrobek provozujte pouze v doporučené poloze a pouze na pevném, rovném povrchu.
- Neprovozujte stroj na dlážděné nebo šterkové ploše, kdy by mohl vystřelený materiál způsobit poranění.
- Před použitím vždy zkontrolujte možné poškození krytu. Ujistěte se, že jsou všechny chrániče a kryty na místě a zajištěny. Vyměňujte opotřebované nebo poškozené díly, abyste zachovali rovnováhu. Vyměňte poškozené nebo nečitelné štítky.
- Nikdy nepracujte s přístrojem, když jsou v blízkosti osoby, obzvláště děti nebo domácí zvířata.
- Udržujte všechny otvory pro chlazení vzduchem prosté smetí.
- Před použitím fukaru uvolněte volné předměty pomocí hrábí a smetáku.
- Před každým použitím si vyčistěte pracovní oblast. Odstraňte všechny předměty, například kameny, rozbité sklo, dráty nebo strunu, které se mohou vymrstit velmi silným proudem vzduchu.

- Poranění mohou být způsobena, či zhoršena, prodlouženým používáním nástroje. Když používáte jakýkoliv nástroj delší dobu, dělejte pravidelně přestávky.

POUŽITÍ A PÉČE O NÁSTROJ NA BATERIE

- Dobíjejte pouze nabíječkou určenou výrobcem. Nabíječka, která je vhodná pro jeden typ akumulátoru může způsobit nebezpečí požáru, pokud se používá s jiným bateriovým modulem.

- Elektrický nástroj používejte pouze s přesně určeným bateriovým modulem. Použití jakéhokoliv jiného akumulátoru může způsobit nebezpečí poranění a požár.
- Pokud akumulátor nepoužíváte, uchovávejte jej mimo kovové předměty jako svorky pro papír, mince, klíče, hřebíky, šrouby nebo jiné malé kovové předměty, které mohou vytvořit propojení jednoho vývodu s druhým. Zkratování vývodů baterie může způsobit požár nebo popáleniny.
- Za nevhodných podmínek může z baterie vytékat kapalina; zabraňte kontaktu. Pokud dojde k náhodnému kontaktu, omyjte vodou. Pokud kapalina přijde do kontaktu s očima, ihned vyhledejte lékařskou pomoc. Kapalina vytečená z baterie způsobit podráždění nebo popáleniny.
- Nepoužívejte baterie ani nástroj, který je poškozený nebo upravený. Poškozené nebo upravené baterie se mohou chovat nepředvídatelně a důsledkem může být požár, výbuch nebo riziko zranění.
- Nevystavujte baterii ani nástroj ohni nebo příliš vysokým teplotám. Vystavení ohni nebo příliš vysokým teplotám převyšujícím 130°C může způsobit výbuch.
- Postupujte podle všech pokynů k nabíjení a nenabíjejte baterie nebo nástroj mimo teplotní rozsah uvedený v pokynech. Nesprávné nabíjení nebo při teplotách mimo uvedený rozsah může poškodit baterii a zvýšit riziko požáru.
- Vždy na svazích zabezpečte své pevně postavení. Chodte, nikdy neběhejte.
- Udržujte bezpečné postavení a rovnováhu. Nepřeceňujte se. Přeceňování může způsobit ztrátu rovnováhy.
- Nikdy neprovodujte přístroj s poškozenými chrániči, nebo štíty, nebo bez nainstalovaných bezpečnostních zařízení.
- K snížení rizika úrazu v důsledku styku s otáčejícími díly foukač vždy vypněte a vyjměte baterii. Ujistěte se, že se zastavily všechny pohyblivé díly:
 - před opuštěním výrobku
 - před odstraňováním ucpaní
 - před kontrolou, čištěním nebo prací na nástroji,
 - před prohlídkou výrobku po nárazu do překážky
 - pokud stroj začne abnormálně vibrovat (ihned zkontrolujte).
- V případě nehody nebo poruchy okamžitě zařízení vypněte a vyjměte baterii. Výrobek můžete znovu používat až po důkladné kontrole autorizovaným servisním centrem.
- Nástroj nijak neupravujte nebo nepoužívejte příslušenství, jež nejsou doporučena výrobcem.
- Pokud začne po pádu, silných nárazech nástroj nenormálně vibrovat, zastavte nástroj a ihned zjistěte příčinu vibrací a rozsah škod. Veškeré škody je potřeba nechat řádně opravit nebo vyměnit v autorizovaném centru.

POUŽITÍ

- Nástroj používejte pouze ve vhodnou denní dobu - ne brzy ráno nebo pozdě večer, neboť lidé mohou být rušeni.
- Nikdy nepoužívejte ve výbušném ovzduší.
- Nepoužívejte stroj při špatném počasí, zejména, hrozí-li bouřky.
- Všechny přihlízející, zvláště děti a zvířata udržujte 15 m mimo pracovní oblasti. Zastavte výrobek, pokud někdo vstoupí do pracovního prostoru výrobku.
- Výrobek nepoužívejte při špatném osvětlení. Obsluha musí mít čistý výhled na pracovní oblast k identifikaci potenciálních nebezpečí.
- Obsluha podobných nástrojů zvyšuje jak nebezpečí poranění sluchu, tak osob vstupujících do zóny práce.

BEZPEČNOSTNÍ VAROVÁNÍ K FUKARU

- V prašných prostředích noste respirátor pro snížení nebezpečí poranění spojených s vdechováním prachu.
- V prašných podmínkách povrch lehce navlhčete.
- Neprovodujte přístroj v blízkosti otevřených oken.
- Používejte celý nástavec trysky, aby se proud vzduchu pohyboval těsně u země a pracoval efektivně.
- Trysku fukaru nikdy nesměřujte na osoby ani domácí zvířata.
- Nikdy neumísťujte předměty dovnitř trubic fukaru.

- Neumísťujte výrobek na volný odpad ani v jeho blízkosti. Smetí se může dostat do vstupních otvorů, což má za následek možné poškození přístroje.

DOPLŇJÍCÍ BEZPEČNOSTNÍ UPOZORNĚNÍ K BATERII

Abyste zabránili nebezpečí požáru způsobeného zkratem, poraněním nebo poškozením výrobku, neponořujte nářadí, výměnnou baterii nebo nabíječku do kapalin a zajistěte, aby do zařízení a akumulátorů nevnikly žádné tekutiny. Korodující nebo vodivé kapaliny, jako je slaná voda, určité chemikálie a bělicí prostředky nebo výrobky, které obsahují bělidlo, mohou způsobit zkrat.

TRANSPORT A SKLADOVÁNÍ

- Před přenášením nebo uložením vždy vyjměte baterii a nechte foukač vychladnout.
- Odstraňte z výrobku všechny cizí materiály. Ukládejte v chladných, suchých a dobře větraných prostorech, které nejsou přístupné dětem. Udržujte produkt mimo korozivní materiály, například zahrádkářské chemikálie a rozmrazovací soli. Výrobek neskladujte venku.
- Při transportu výrobku zajistěte proti pohybum nebo pádu, abyste zabránili poranění osob nebo poškození výrobku.

TRANSPORT LITHIOVÝCH BATERIÍ

Přenos baterií dle místních a národních opatření a předpisů.

Dodržujte všechny zvláštní požadavky na balení a značení při transportu baterií třetí stranou. Zajistěte, aby žádné baterie nepřišly do kontaktu s jinými bateriemi nebo vodivými materiály při transportu pomocí ochrany nekrytých kontaktů prostřednictvím izolace, nevodivých krytek či lepicích pásek. Nepřeppravujte prasklé nebo baterie s unikajícím elektrolytem. Ptejte se u zásilkové společnosti na další radu.

ÚDRŽBA

Používejte pouze originální příslušenství, doplňky a náhradní díly výrobce. Zanedbání může zapříčinit možné poranění, slabý výkon a může dojít ke ztrátě záruky.

Údržba vyžaduje extrémní péči a znalosti a měla by být prováděna pouze kvalifikovaným servisním technikem. Výrobek nechte opravit pouze v pověřeném servisu.

- Zkontrolujte všechny šrouby, matice v častých intervalech na řádné utažení, aby se zajistilo, že výrobek bude pracovat v bezpečných pracovních podmínkách. Jakýkoliv poškozený díl je nutné správně opravit nebo nechat vyměnit v autorizovaném servisním středisku.

- Chcete-li vyměnit poškozené nebo nečitelné štítky, předejte zařízení do autorizovaného servisního střediska.
- Můžete provádět pouze v návodu k obsluze uvedené opravy a seřízení. Pro jiné opravy nebo poradenství, požádejte o pomoc autorizované servisní středisko.
- Po každém použití setřete nástroj měkkým a suchým hadříkem.

ODSTRANĚNÍ ZABLOKOVÁNÍ

- K snížení rizika úrazu v důsledku styku s pohyblivými díly výrobek vždy vypněte, vyjměte baterii a ujistěte se, že se všechny pohyblivé části úplně zastavily.
- Chcete-li zkontrolovat, zda nedošlo k ucpání fukaru, sundejte trubku fukaru. V případě potřeby trubku vyčistěte.
- Před spuštěním výrobku nasadte foukací trubice.

POZNEJTE SVŮJ NÁSTROJ

Viz strana 106.

1. Trubice fukaru
2. Spínač ZAPNUTO/VYPNUTO
3. Rukojeť
4. Návod k obsluze
5. Baterie
6. Nabíječka

SYMBOLY NA VÝROBKU



Před používáním výrobku se obeznamte se všemi pokyny. Dbejte na všechna upozornění a dodržujte bezpečnostní pokyny.



Dávejte pozor na odmrštěné nebo odletující předměty. V okruhu nejméně 15 m od pracovního prostoru se nesmí vyskytovat žádní přihlížející, zejména děti a zvířata.



Rotující ventilátory. Mějte ruce a nohy mimo otvory, když nástroj běží.



Noste ochranu sluchu



Noste ochranu očí



Nevystavujte dešti nebo nepoužívejte ve vlhkých podmínkách.



Značka shody s evropskými normami



Značka shody s britskými normami



Euroasijská značka shody



Značka shody s ukrajinskými normami



Zaručená hladina akustického výkonu



Odpad elektrických výrobků se nesmí likvidovat v domovním odpadu. Recyklujte prosím na sběrných místech. Ptejte se u místních úřadů nebo prodejce na postup při recyklaci.

SYMBOLY V NÁVODU



Poznámka



Varování



Díly nebo příslušenství jsou v prodeji samostatně

Az akkumulátoros lombfúvó kialakítása során elsődleges szempont volt a biztonság, a teljesítmény és a megbízhatóság.

RENDELTETÉSSZERŰ HASZNÁLAT

Az akkumulátoros lombfúvó csak kültéren, száraz és jól megvilágított körülmények között használható.

Ezt a terméket nem használhatják gyerekek és korlátozott fizikai, érzékelési vagy mentális képességekkel rendelkező személyek.

A terméket könnyű hulladék, például levelek, fű és egyéb kerti hulladék fújására tervezték.

Semmilyen más célra ne használja.

ÁLTALÁNOS BIZTONSÁGI FIGYELMEZTETÉSEK

⚠ FIGYELMEZTETÉS! Olvassa el az összes biztonsági figyelmeztetést és útmutatást. A figyelmeztetések és utasítások be nem tartása elektromos áramütést, tüzet és/vagy súlyos sérülést eredményezhet. Őrizze meg ezeket a figyelmeztetéseket és utasításokat a későbbi tájékozódásra is.

⚠ FIGYELMEZTETÉS! Ne hagyja, hogy gyerekek vagy a termék használatát nem ismerő felnőttek használják a terméket. A helyi előírások korlátozhatják a kezelő életkorát.

GYAKORLÁS

- Figyelmesen olvassa el az utasításokat. Legyen tisztában a termék kezelőszerveivel és helyes használatával.
- Jegyezze meg, hogy a kezelő vagy a felhasználó felelős a más embereknek vagy tulajdonuknak okozott veszélyekért vagy balesetekért.
- Ne használja a terméket, ha fáradt, beteg vagy drog, alkohol illetve gyógyszer hatása alatt van.

ELŐKÉSZÜLET

- Egyes régiókban olyan előírások érvényesek, amelyek korlátozzák a termék bizonyos műveletekre való használatát. További információért forduljon a helyi önkormányzathoz.
- A termék használata közben mindig viseljen teljes fülvédőt. A termék zajos, és ha nem tartja be szigorúan a kitétségek korlátozására és a zajcsökkentésre vonatkozó óvintézkedéseket, az maradandó halláskárosodást okozhat.

- A termék használata közben mindig viseljen teljes szemvédőt. Viseljen teljesárlarcot vagy védőszemüveget. A normál szemüveg vagy a napszemüvegek nem nyújtanak megfelelő védelmet. Az erőteljes légáramlás bármikor nagy sebességgel röpíthet el tárgyakat, amelyek a kemény felületekről visszapatlanhatnak a kezelő felé.
- A termék működtetése közben mindig megfelelő lábbelit és hosszú nadrágot viseljen. Ne használja a gépet mezítláb vagy nyitott szandálban. Kerülje a bő ruhák viseletét, vagy amelyből kábelek vagy madzagok lógnak ki.
- Ne viseljen laza ruházatot vagy ékszereket, amelyek bekerülhetnek a légbemeneti nyílásba. Ha hosszú a haja, azt a vállvonal felett rögzítse, nehogy beakadjon valamilyen mozgó alkatrészbe.
- Minden használat előtt ellenőrizze, hogy az összes kezelőszerv és biztonsági eszköz megfelelően működik. Ne használja a gépet, ha a főkapcsoló nem állítja le a motort.
- Csak a javasolt pozícióban és stabil, vízszintes felületen működtesse a terméket.
- Ne használja a gépet kavicsos vagy kövezett felületen, ahol a kidobott anyag sérülést okozhat.
- Sérüléseket keresve minden használat előtt vizsgálja át a burkolatot. Ellenőrizze, hogy a védőburkolatok és a fogantyúk a helyükön vannak, megfelelően rögzítve. Az egyensúly megtartása érdekében az elhasználadott vagy sérült alkatrészeket teljes készletben cserélje ki. A sérült vagy olvashatatlan címkéket cserélje ki.
- Soha ne működtesse a gépet, ha emberek - különösen gyerekek - vagy állatok vannak a közelben.
- A hűtőlevegő bemeneteit tartsa lerakódástól mentesen.
- Szétfújás előtt gereblyével és seprővel lazítsa fel az avart.
- A használat előtt tisztítsa meg a munkaterületet. Távolítsa el minden tárgyat, úgymint köveket, törött üvegeket, szegeket, drótdarabokat és szálakat, amelyeket a nagysebességű levegő jelentős távolságra fújhat el.
- Hosszabb használat sérülést okozhat. Ha a gépet hosszú időn át kell használnia, tartson gyakran szünetet.

AKKUMULÁTOROS SZERSZÁMGÉP HASZNÁLATA ÉS KARBANTARTÁSA

- Csak a gyártó által megadott töltővel töltsse az akkumulátorokat. Egy adott akkumulátortípushoz való töltő egy másik típusú akkumulátorral való használata tűzveszélyes lehet.
- A szerszámokat csak a hozzájuk való akkumulátorokkal üzemeltesse. Más akkumulátorok használata tűzveszélyes lehet, és sérüléseket okozhat.
- Az akkumulátort használaton kívül tartsa távol más fém tárgyaktól, úgymint gemkapcsoktól, érméktől, kulcsoktól, szögektől, csavaroktól vagy más kisméretű fém tárgyaktól, amelyek rövidre zárhatják a két érintkezőt. Az akkumulátor érintkezőinek rövidre zárása tüzet vagy égéseket okozhat.
- Nem megfelelő körülmények esetén folyadék távozhathat az akkumulátorból, kerülje az azzal való érintkezést. Ha mégis érintkezik vele, öblítse le vízzel. Ha a folyadék szembe kerül, forduljon orvoshoz. Az akkumulátorból kifolyt folyadék irritációt vagy égéseket okozhat.
- Ne használjon sérült vagy átalakított akkucsomagot vagy eszközt. A sérült vagy átalakított akkumulátor előre nem látható módon üzemelhet, ami tüzet, robbanást, más kockázatot vagy sérülést okozhat.
- Ne tegye ki az akkucsomagot vagy az eszközt túl magas hőmérsékleti hatásnak és ne tegye tűzbe ezeket. A tűznek vagy a 130°C feletti hőmérsékletnek való kitettség robbanást okozhat.
- Tartsa be az összes feltöltési utasítást és ne töltsse az akkucsomagot vagy az eszközt az utasításban megadott hőmérséklet-tartományon kívül. A helytelen töltés vagy a megadott tartományon kívüli hőmérsékleten való feltöltés az akkumulátort károsíthatja, és a tűzveszély kockázatát növelheti.

HASZNÁLAT

- Csak a nappali órákban használja a gépet – ne korán reggel vagy késő este, amikor megzavarhatja mások nyugalomát.
- Soha ne működtesse a terméket robbanásveszélyes környezetben.
- Kerülje a termék használatát rossz időjárási feltételek mellett, különösen villámlás esetén.
- A nézelődőket, gyerekeket és a háziállatokat tartsa 15 m távolságban a munkaterülettől. Állítsa le a terméket, ha bárki belép a területre.
- Ne használja a terméket rossz fényviszonyok között. A kezelőnek tiszta rálátással kell rendelkeznie a munkaterületre, hogy azonosíthassa a potenciális veszélyeket.
- Hasonló gépek egymás közelében történő használata növeli a halláskárosodás veszélyét, valamint annak veszélyét, hogy más személyek lépnek be az Ön munkaterületére.
- Mindig biztosan támaszkodjon meg a lejtőkön. Gyalogoljon, ne fusson.
- Stabilan álljon és vegyen fel megfelelő egyensúlyt. Ne hajoljon ki túlságosan. A túlzott kihajlás egyensúlyvesztést eredményezhet.
- Soha ne működtesse a készüléket hibás védőburkolatokkal vagy védőlemezekkel, illetve biztonsági berendezések nélkül.
- A forgó alkatrészekkel való érintkezés miatti sérülés kockázatának csökkentéséhez mindig állítsa le a terméket és vegye ki az akkucsomagot. Ellenőrizze, hogy minden mozgó rész teljesen megállt:
 - mielőtt magára hagyná a terméket
 - eltömődések eltávolítása előtt
 - ellenőrzés, karbantartás vagy a gépen végzett bármilyen művelet megkezdése előtt;
 - a termék átvizsgálása előtt, miután egy idegen tárggyal ütközött
 - ha a gép szokatlanul kezd rezegni (ellenőrizze azonnal).
- Baleset vagy üzemzavar esetén azonnal kapcsolja ki és vegye ki az akkumulátort. Ne használja a készüléket, amíg teljesen ét nem vizsgálták egy hivatalos szervizközpont
- Semmilyen módon ne módosítsa a gépet vagy használjon a gyártó által nem ajánlott alkatrészeket és tartozékokat.
- Ha a gép leesett, erős ütést kapott vagy rendellenesen kezd vibrálni, azonnal állítsa le a gépet, és vizsgálja át sérülések tekintetében vagy azonosítsa a vibráció okát. Bármely megrongálódott alkatrészt javíttasson meg vagy cseréltesse ki egy hivatalos szervizközpontban.



FÚVÓGÉP BIZTONSÁGI FIGYELMEZTETÉSEK

- Poros körülmények között viseljen arcmaszkot, hogy csökkentse a por beszívásából eredő sérülések veszélyét.
- Poros körülmények között enyhén nedvesítse be a felületet.
- Ne működtesse a gépet nyitott ablak közelében.
- Használja a teljes fúvógépcső-hosszabbítót, hogy a légáram csak közvetlenül a talaj felett jusson ki a csőből és hatékonyan végezze a dolgát.
- Ne irányítsa a fúvógépet közvetlenül emberekre vagy háziállatokra.
- Soha ne tegyen semmilyen tárgyat a fúvócsövek belsejébe.
- A terméket ne tegye laza törmelékre vagy közelébe. A hulladék bekerülhet a légbeömlő nyílásaiba, ami a berendezés súlyos károsodását eredményezheti.

AZ AKKUMULÁTOR KIEGÉSZÍTŐ BIZTONSÁGI FIGYELMEZTETÉSEI

A rövidzárlat általi tűz, sérülések vagy termékárosodások veszélye elkerülésére ne merítse a szerszámot, a cserélhető akkut vagy a töltőkészüléket folyadékokba, és gondoskodjon arról, hogy ne hatoljanak folyadékok a készülékekbe és az akkukba. A korrozív hatású vagy vezetőképes folyadékok, mint pl. a sós víz, bizonyos vegyi anyagok, fehérítők vagy fehérítő tartalmú termékek, rövidzárlatot okozhatnak.

SZÁLLÍTÁS ÉS TÁROLÁS

- Tárolás vagy szállítás előtt kapcsolja ki a terméket, vegye ki az akkucsomagot és hagyja kihűlni.
- Minden idegen anyagtól tisztítsa meg a terméket. Hűvös, száraz és jól szellőztetett, gyerekektől elzárt helyiségben tárolja. A terméket tartsa távol a korrodáló szerektől, például kerti vegyszerektől vagy a jégmentesítő sótól. Ne tárolja a terméket kültéren.
- Szállításakor rögzítse a terméket elmozdulás és leesés ellen, hogy elkerülje a sérüléseket és a termék sérülését.

LÍTIUM AKKUMULÁTOROK SZÁLLÍTÁSA

Az akkumulátorokat a helyi és nemzeti előírásokkal és szabályokkal összhangban szállítsa.

Az akkumulátorok külső fél általi szállításakor kövesse a csomagolásra és a címkézésre vonatkozó speciális előírásokat. Ügyeljen arra, hogy az akkumulátorok ne érhessenek más akkumulátorokhoz vagy vezető anyagokhoz szállítás közben; ehhez a szabadon maradt csatlakozókat védje szigetelő fedéllel vagy szalaggal. Ne szállítson repedt vagy szivárgó akkumulátorokat. További információért vegye fel a kapcsolatot a továbbítást végző céggel.

KARBANTARTÁS

Csak a gyártó eredeti cserealkatrészeit, tartozékait és szerelékeit használja. Ennek figyelmen kívül hagyása gyenge motorteljesítményt, esetleges sérülést és a jótállás elvesztését okozhatja.

szervizelés különös figyelmet és hozzáértést igényel, és csak szakképzett szerelő végezheti el. A terméket csak engedéllyel rendelkező szervizben javíttassa.

- Gyakori időközönként ellenőrizze a csavaranyák, csavarok és fejescsavarok megfelelő meghúzását, hogy a termék biztonságos üzemi állapotban legyen. A sérült alkatrészeket egy hivatalos szervizközpontban kell megjavíttatni vagy kicseréltetni.
- A sérült vagy olvashatatlan címkék cseréjéhez vigye vissza a terméket egy hivatalos szervizközpontba.
- Ön csak a használati útmutatóban leírt beállításokat és javításokat végezheti el. További javításokért vagy tanácsért kérjen segítséget egy hivatalos szervizközpontban.
- Minden egyes használat után egy puha, száraz ruhával tisztítsa meg a terméket.

ELTÖMÖDÉS MEGSZÜNTETÉSE

- A mozgó alkatrészek megérintése miatt keletkező sérülés kockázatának csökkentésére minden esetben állítsa le a terméket, vegye ki az akkumulátort és győződjön meg arról, hogy minden mozgó alkatrész teljesen megállt.
- A dugulás ellenőrzése érdekében távolítsa el a fúvócsöveket. Ha szükséges, tisztítsa ki a csöveket.



- A termék elindítása előtt a fűvócsöveket szerelje vissza.

ISMERJE MEG A TERMÉKET

Lásd 106. oldal.

1. Fűvógép csöve
2. BE/KI kapcsoló gomb
3. Fogantyú
4. Kezelői kézikönyv
5. Akkumulátor
6. Töltő



A kiselejtezett elektromos termékeket nem szabad a háztartási hulladékkal együtt kidobni. Ezeket újra kell hasznosítani, ha van rá lehetőség. Az újrahasznosítással kapcsolatban érdeklődjön a helyi önkormányzatnál vagy a termék forgalmazójánál.

SZIMBÓLUMOK A TERMÉKEN



A termék használata előtt olvasson el és értsen meg minden utasítást. Tartsa be az összes figyelmeztetést és biztonsági utasítást.



Figyeljen a kivetett vagy repülő tárgyakra. A működési területtől tartson legalább 15 m-es távolságban minden nézelődőt, különösen a gyerekeket és a háziállatokat.



Forgó ventilátorok. A termék működése közben a kezeit és a lábát tartsa távol a nyílásoktól.



Viseljen fülvédőt



Viseljen védőszemüveget



Ne tegye ki esőnek, és ne használja nedves környezetben.



Európai megfelelőségi jelölés



Brit megfelelőségi jelölés



Eurázsiai megfelelőségi jelzés



Ukrán megfelelőségi jelölés



Garantált hangteljesítményszint

A KÉZIKÖNYVBEN HASZNÁLT SZIMBÓLUMOK



Megjegyzés



Figyelem



Külön értékesített alkatrészek és kiegészítők

Siguranța, performanța și fiabilitatea au fost principalele noastre priorități la proiectarea suflantei dvs. fără fir.

UTILIZARE PREVĂZUTĂ

Suflanta fără fir trebuie utilizată doar în exterior, într-un mediu uscat și bine iluminat.

Produsul nu este destinat a fi folosit de către copii sau persoane cu capacități fizice, mintale sau senzoriale reduse.

Produsul este destinat pentru îndepărtarea prin suflare a gunoaielor ușoare, cum ar fi frunze, iarbă și alte resturi din grădină.

Nu folosiți în alte scopuri.

AVERTISMENTE GENERALE PRIVIND SIGURANȚA

⚠ AVERTISMENT! Citiți toate avertismentele și instrucțiunile de siguranță. Nerespectarea acestor avertismente și instrucțiuni poate conduce la șocuri electrice, incendii și/sau accidente grave. Păstrați aceste avertismente și instrucțiuni, pentru a le putea consulta ulterior.

⚠ AVERTISMENT! Nu lăsați niciodată copiii sau persoanele nefamiliarizate cu aceste instrucțiuni să folosească produsul. Reglementările locale pot restricționa vârsta operatorului.

INSTRUIRE

- Citiți instrucțiunile cu atenție. Familiarizați-vă cu comenzile și folosirea corectă a produsului.
- Rețineți că operatorul sau utilizatorul este responsabil pentru accidentele sau pericolele ce pot avea loc asupra altor persoane sau proprietății lor.
- Nu utilizați produsul dacă sunteți obosit, bolnav sau sub influența drogurilor, alcoolului sau medicamentelor.

PREGĂTIRE

- Unele regiuni au reglementări care restricționează utilizarea produsului la unele operațiuni. Pentru sfaturi întrebați autoritățile dvs. locale.
- Purtați protecție completă pentru auz tot timpul când operați acest produs. Produsul este zgomotos și poate cauza pierdere permanentă de auz, dacă nu se iau măsuri stricte de limitare a expunerii dvs. și de reducere a nivelului de zgomot, care să fie strict respectate.

- Purtați protecție completă pentru ochi tot timpul când operați acest produs. Purtați o mască de față cu acoperire totală sau ochelari de protecție cu închidere etanșă. Ochelarii normali sau cei de soare nu reprezintă o protecție corespunzătoare. Obiectele pot fi aruncate cu o viteză mare de către jetul puternic de aer în orice moment și pot să ricoșeze din suprafețele tari înspre operator.
- În timpul operării produsului purtați întotdeauna încălțăminte rezistentă și pantaloni lungi. Nu operați mașina când sunteți desculți sau purtați sandale deschise. Evitați să purtați de îmbrăcăminte largă sau care are cordoane sau șireturi libere.
- Nu purtați haine largi sau bijuterii ce pot fi atrase de admisia de aer. Prindeți părul lung deasupra umerilor pentru a preveni prinderea lui de părțile în mișcare.
- Asigurați-vă că înainte de fiecare folosire toate funcțiile de control și dispozitivele de siguranță funcționează corect. Nu folosiți produsul dacă întrerupătorul "oprit" nu oprește produsul.
- Operați produsul în poziția recomandată și doar pe o suprafață fermă și dreaptă.
- Nu folosiți mașina pe o suprafață pavată sau acoperită cu pietriș, unde materialul evacuat ar putea cauza vătămarea corporală.
- Înainte de fiecare folosire, inspectați întotdeauna carcasa de defecte. Asigurați-vă că apărătorile și mânerele sunt la locul lor și sunt strânse corespunzător. Înlocuiți componentele uzate sau deteriorate în seturi pentru a menține echilibrul. Înlocuiți etichetele deteriorate sau ilizibile.
- Nu utilizați niciodată mașina în timp ce în apropiere se află persoane, în special copii sau animale de companie.
- Țineți toate orificiile de intrare a aerului de răcire departe de moloaz.
- Utilizați o greblă sau o mătură pentru a decompacta reziduurile înainte de a utiliza suflanta.
- Eliberați zona de lucru înainte de fiecare utilizare. Îndepărtați toate obiectele precum pietre, sticlă spartă, cuie, fire electrice sau fire ce pot fi aruncate la o distanță considerabilă de către aerul cu viteză mare.
- Pot fi cauzate sau agravate vătămarile de la folosirea prelungită a aparatului. Atunci când folosiți o sculă pentru perioade prelungite, asigurați-vă că luați pauze regulate.

FOLOSIREA ȘI ÎNTREȚINEREA MAȘINII CU ACUMULATOR

- Reîncărcați numai cu încărcătorul specificat de producător. Un încărcător destinat unui anumit tip de acumulator este folosit la încărcarea altor acumulatori există pericolul de incendii.
- Folosiți uneltele electrice numai cu acumulatorii indicați. Utilizarea oricărui alți acumulatori poate crea un risc de vătămare și de incendiu.
- Atunci când acumulatorul nu este în uz, păstrați-l departe de alte obiecte metalice, cum ar fi agrafe de birou, monede, chei, cuie, șuruburi sau alte obiecte metalice mici, care pot face o conexiune de la o bornă la alta. Scurtcircuitarea bornelor bateriei poate provoca arsuri sau incendiu.
- Ca urmare a folosirii necorespunzătoare, din acumulator se poate scurge lichid; evitați contactul cu acesta. În cazul unui contact accidental, spălați cu apă. În cazul contactului cu ochii, consultați suplimentar un medicul. Lichidul care iese din acumulator poate provoca iritații sau arsuri.
- Nu utilizați acumulatori sau unelte deteriorate sau modificate. Acumulatorii deteriorați sau modificați au un comportament imprevizibil și prezintă pericol de incendiu, explozie sau accidentare.
- Nu expuneți acumulatorii sau uneltele la foc sau temperaturi excesive. Expunerea la foc sau temperaturi peste 130°C prezintă pericol de explozie.
- Respectați toate instrucțiunile de încărcare și nu încărcați acumulatorul sau uneltele la temperaturi din afara intervalului specificat în instrucțiuni. Încărcarea necorespunzătoare sau la o temperatură din afara intervalului specificat poate deteriora acumulatorul și crește riscul de incendiu.

UTILIZARE

- Operați mașina doar la ore rezonabile - nu dimineața devreme sau seara târziu când lumea ar putea fi deranjată.
- Nu operați niciodată produsul într-un mediu exploziv.
- Evitați folosirea produsului în condiții de vreme rea în special când există risc de fulgere.

- Țineți trecătorii, copiii și animalele de companie la 15 metri depărtare de zona de operare. Opriiți produsul dacă cineva intră în zonă.
- Nu utilizați produsul în condiții de iluminare slabă. Operatorul necesită o panoramă clară a zonei de lucru pentru identificarea potențialelor pericole.
- Operarea de aparate similare în vecinătate crește atât riscul unei deteriorări a auzului cât și posibilitatea ca alte persoane să intre în zona dvs. de lucru.
- Trebuie să stați întotdeauna într-o poziție stabilă pe pante. Mergeți. Nu alergați niciodată.
- Mențineți sprijin ferm pe picioare și echilibru. Nu vă aplecați excesiv. Aplecarea excesivă poate cauza pierderea echilibrului.
- Nu folosiți niciodată aparatul cu apărători sau protecții defecte sau fără dispozitive de siguranță montate.
- Pentru a reduce riscul de accidentare în urma contactului cu piesele în mișcare, opriiți întotdeauna echipamentul atunci când nu îl utilizați și deconectați acumulatorul. Asigurați-vă că toate piesele mobile s-au oprit complet:
 - înainte de a lăsa produsul nesupravegheat
 - înainte de a îndepărta un obiect ce determină blocaje
 - înainte de a verifica, curăța sau lucra asupra produsului
 - înainte de a inspecta echipamentul după ce acesta se lovește de un corp străin
 - dacă produsul începe să vibreze anormal (verificați imediat).
- Opriiți imediat mașina și îndepărtați acumulatorul în caz de accident sau defecțiune. Nu utilizați din nou produsul înainte de a realiza o verificare completă, la un centru de service autorizat.
- Nu modificați mașina în niciun fel sau să folosiți părți și accesorii ce nu sunt recomandate de către producător.
- Dacă produsul este scăpat, suferă un impact dur sau începe să vibreze anormal, opriiți imediat produsul și inspectați dacă este deteriorat sau identificați cauza vibrației. Orice piesă defectă trebuie reparată adecvat sau înlocuită de un centru autorizat.

AVERTIZĂRI DE SIGURANȚĂ A APARATULUI DE SUFLAT.

- În condiții de prezență a prafului, purtați o mască facială prevăzută cu filtru pentru a reduce riscurile asociate cu inhalarea prafului.
- Umeziți ușor suprafețele în condiții de praf.
- Nu folosiți mașina lângă ferestrele deschise.
- Folosiți prelungirea duzei de suflare a aerului în așa fel încât jetul de aer să ajungă aproape de sol și să funcționeze eficient.-
- Nu direcționați duza suflantei către persoane sau animale.
- Nu așezați niciodată obiecte în interiorul furtunelor aparatului de suflat.
- Nu așezați produsul pe grămezi de reziduuri sau lângă acestea. Resturile ar putea fi aspirate în orificiul de admisie rezultând în posibila deteriorare a aparatului.

AVERTISMENTE SUPLIMENTARE PRIVIND SIGURANȚA LA UTILIZAREA BATERIILOR

A rövidzárlat általi tűz, sérülések vagy termékkárosodások veszélye elkerülésére ne merítse a szerszámot, a cserélhető akkut vagy a töltőkészüléket folyadékba, és gondoskodjon arról, hogy ne hatoljanak folyadékok a készülékekbe és az akkukba. Lichidele corosive sau cu conductibilitate, precum apa sărată, anumite substanțe chimice și înalbitori sau produse ce conțin înalbitori, pot provoca un scurtcircuit.

TRANSPORTAREA ȘI DEPOZITAREA

- Tárolás vagy szállítás előtt kapcsolja ki a terméket, vegye ki az akkucsomagot és hagyja kihűlni.
- Curățați toate materialele străine din produs. Depozitați-l într-un loc răcoros, uscat și bine aerisit ce este inaccesibil copiilor. Păstrați produsul la distanță de agenți corozivi, precum substanțe chimice de grădină și săruri de dezghețare. Nu depozitați produsul în aer liber.
- Pentru transportare, fixați produsul împotriva mișcării sau căderii pentru a preveni vătămarea persoanelor sau deteriorarea produsului.

TRANSPORTAREA BATERIILOR DE LITIU.

Transportați bateriile în conformitate cu prevederile și reglementările locale și naționale.

Urmați toate cerințele speciale privind împachetarea și etichetarea atunci când transportați baterii către un terț. Asigurați-vă că nicio baterie nu poate să intre în contact cu alte baterii sau materiale conductive în timpul transportului prin protejarea conectorilor expuși cu bandă, capace izolatoare neconductive. Nu transportați bateriile ce sunt crăpate sau care au scurgeri. Verificați cu firma transportatoare pentru recomandări ulterioare.

ÎNȚREȚINERE

Folositi doar piese de schimb, accesorii si atasamente originale ale producatorului. Neurmarea acestora poate cauza posibilă vătămare, slaba funcționare și ar putea anula garanția.

Service-ul necesită atenție și cunoștințe deosebite și trebuie îndeplinit doar de către un tehnician service calificat. Duceți produsul la reparații numai într-un centru service autorizat.

- Verificați toate piulițele, suruburile la intervale frecvente de timp ca să fie corespunzător strânse pentru a vă asigura că produsul este în stare de lucru în siguranță. Orice piesă deteriorată trebuie să fie reparată în mod corespunzător sau înlocuită de un service autorizat.
- Duceți produsul la un centru service autorizat pentru a înlocui etichetele deteriorate sau ilizibile.
- Puteți face doar reglajele sau reparațiile descrise în acest manual. Pentru alte reparații sau sfaturi, căutați asistență din partea unui centru service autorizat.
- După fiecare folosire curățați produsul cu o cârpă moale și uscată.

ELIBERAREA UNEI BLOCĂRI

- Pentru a se reduce riscul de rănire datorat contactului cu piesele în mișcare, întotdeauna opriți echipamentul, scoateți acumulatorul și asigurați-vă că toate piesele în mișcare s-au oprit complet.
- Demontați tuburile pentru a căuta blocajul. Desfundați furtunile dacă e necesar.
- Remontați tuburile suflantei înainte de a porni produsul.

CUNOAȘTEȚI-VĂ PRODUSUL

Vezi pagina 106.

1. Tub de suflat
2. Întrerupător PORNIT/OPRIT
3. Mâner
4. Manualul operatorului
5. Acumulator
6. Încărcător



Deșeurile produselor electrice nu trebuie să fie înlăturate împreună cu deșeurile casnice. Vă rugăm să reciclați acolo unde există facilități. Verificați la autoritatea dvs. locală sau la vânzător pentru sfaturi privind reciclarea.

SIMBOLURILE DE PE PRODUS.

Citiți și înțelegeți toate instrucțiunile înainte de a utiliza produsul. Respectați toate avertismentele și instrucțiunile de siguranță.



Feriți-vă de obiecte proiectate sau în zbor. Mențineți o distanță de cel puțin 15 m între zona de lucru și persoanele prezente, mai ales copii și animale.



Ventilatoare în rotire Țineți mâinile și picioarele în afara deschizăturilor cât timp produsul este în funcțiune.



Purtați protecție pentru urechi



Purtați întotdeauna ochelari de protecție



Ne tegye ki esőnek, és ne használja nedves környezetben.



Marcajul european de conformitate



Marcajul britanic de conformitate



Marcaj de conformitate EurAsian



Marcajul ucrainian de conformitate



Nivel garantat al puterii acustice

SIMBOLURI DIN ACEST MANUAL

Notă



Avertisment



Piese sau accesorii vândute separat

Drošībai, veiktspējai un uzticamībai ir pievērsta vislielākā uzmanība, radot jūsu bezvadu pūtēju.

PAREDŽĒTAIS LIETOJUMS

Bezvadu pūtējs ir paredzēts lietošanai tikai ārpus telpām laba apgaismojuma apstākļos.

Ierīce nav paredzēta bērniem vai cilvēkiem ar samazinātām fiziskām, garīgām spējām vai maņu kustību traucējumiem.

Produkts ir radīts nelielu grūžu aizpūšanai, piemēram, lapām, zālei un citiem dārza atkritumiem.

Nelietojiet citiem mērķiem.

VISPĀRĪGIE DROŠĪBAS BRĪDINĀJUMI

△ BRĪDINĀJUMS! Izlasiet visus drošības brīdinājumus un norādījumus. Brīdinājumu un norādījumu neizpildīšana var izraisīt elektrisko triecienu, aizdegšanos un/vai smagu ievainojumu. Brīdinājumus un instrukcijas saglabājiet turpmākai uzziņai.

△ BRĪDINĀJUMS! Nekad neļaujiet bērniem vai personām, kas nav iepazinušas ar instrukcijām, izmantot precī. Vietos īstatymai gali apriboti jrengimo operatoriauz amžiu.

APMĀCĪBA

- Uzmanīgi izlasiet norādījumus. Iepazīstieties ar ierīces vadīšanu un pareizu lietošanu.
- Turēkite omenyje, kad operatorius arba vartotojas yra atsakingas už nelaimingus atsitikimus arba kitiems asmenims ar jų turtui sukeltą pavojų.
- Neizmantojiet produktu, ja esat noguris, slims vai narkotiku, alkohola vai medikamentu ietekmē.

SAGATAVOŠANA

- Dažos reģionos pastāv noteikumi, kas ierobežo darbības, kurām produkts ir izmantojams. Vērsieties pie atbildīgajām amatpersonām pēc padoma.
- Ierīces izmantošanas laikā, vienmēr lietojiet ausu aizsargu. Produkts ir trokšņains un stingra drošības pasākumu neievērošana, lai ierobežotu ietekmi un samazinātu troksni, var radīt paliekošos dzirdes bojājumus.
- Ierīces izmantošanas laikā, vienmēr lietojiet pilnu acu aizsargu. Nēsājiet pilnu sejas masku vai pilnīgi noslēdzošas brilles.

Parastās brilles vai saulesbrilles nevar tikt izmantotas aizsardzībai. Jebkurā brīdī gaisa strūkļas var izraisīt priekšmetu lidošanu lielā ātrumā, kā rezultātā tie var atlēkt no cietas virsmas un trāpīt strādniekam.

- Izmantojot ierīci, vienmēr lietojiet atbilstošus apavus un garās bikses. Nestrādājiet ar iekārtu, ja jums ir basas kājas vai vaļējas sandales. Nevelciet vaļīgu apģērbu vai apģērbu ar auklām un lentēm.
- Nevelciet brīvu apģērbu vai juvelierizstrādājumus, kas var tikt ierauti gaisa ieejā. Nostipriniet garus matus tā, lai tie ir vīrs plecu līmeņa, lai novērstu sapīšanos kustīgajās daļās.
- Pirms katras lietošanas reizes pārļiecinieties, ka visas kontroles un drošības sistēmas ir darba kārtībā. Neizmantojiet ierīci, ja izslēgšanas slēdzis neapstādina motoru.
- Izmantojiet iekārtu norādītajā stāvokļi un tikai uz stabilas, līdzenas virsmas.
- Nelietojiet ierīci uz bruģētām vai grantētām virsmām, kur lidojoši priekšmeti var radīt ievainojumus.
- Pirms katras lietošanas reizes pārbaudiet, vai korpusam nav bojājumu. Pārļiecinieties, ka aizsargi un rokturi ir vietā un pareizi nostiprināti. Nomainiet nodilušus vai bojātus elementus kā komplektu, lai saglabātu līdzsvaru. Nomainiet bojātas vai nesalasāmas uzlīmes.
- Nekad nelietojiet iekārtu, kamēr tuvumā atrodas cilvēki, it īpaši bērni, vai dzīvnieki.
- Dzesēšanas gaisa ieejas atveres nedrīkst būt aizsērējušas.
- Izmantojiet grābekļus un slotas drazu atbrīvošanai pirms pūtēja izmantošanas.
- Pirms katras izmantošanas attīriet darba zonu. No darba zonas aizvāciet tādas priekšmetus kā akmeņus, stikla lauskas, naglas, vadus, vai auklas, un citus priekšmetus, kas saskarsmē ar liela ātruma gaisa plūsmu var tikt tālu aizpūsti.
- Ilgstoša preces lietošana var radīt ievainojumus vai pasliktināt jau esošos. Ilgstoši lietojot jebkuru instrumentu, pārļiecinieties, ka tiek veikti regulāri pārtraukumi.



AR AKUMULATORU DARBINĀMU IERĪČU LIETOŠANA UN KOPŠANA

- Uzlādējiet tikai ar ražotāja noteikto lādētāju. Lādētājs, kas paredzēts lietošanai ar viena veida akumulatoru, var būt ugunsnedrošs, ja to izmanto ar citu akumulatoru.
 - Lietojiet elektriskos instrumentus tikai ar konkrētajai ierīcei paredzēto akumulatoru. Jebkura cita akumulatora lietošana var radīt ievainojumu un ugunsgrēka risku.
 - Kad nelietojat akumulatoru, neturiet to citu metāla priekšmetu tuvumā, piemēram: papīra saspaušanas, monētas, atslēgas, naglas, skrūves vai citi sīki metāla priekšmeti, kas var veidot savienojumu starp spailēm. Akumulatora spaiļu tīsslēgums var radīt aizdegšanos vai ugunsgrēku.
 - Nepareizas rīcības gadījumā no akumulatora var izkļūt šķidrums; izvairieties no saskares ar to. Nejaušas saskares gadījumā skalojiet skarto vietu ar ūdeni. Ja šķidrums iekļūst acīs, nekavējoties meklējiet medicīnisko palīdzību. No akumulatora izkļuvušais šķidrums var izraisīt kairinājumu vai apdegumus.
 - Neizmantojiet akumulatoru bloku, kas ir bojāts vai pārveidots. Bojāts vai pārveidots akumulatoru bloks var izraisīt neparedzamu darbību, kas var izraisīt uzliesmošanu, sprādzienu vai ievainojumu risku.
 - Nepakļaujiet akumulatoru bloku vai instrumentu liesmu vai paaugstinātas temperatūras iedarbībai. Pakļaujot liesmām vai paaugstinātai temperatūrai virs 130°C var izraisīt sprādzienu.
 - Ievērojiet visas lādēšanas instrukcijas un nelādējiet akumulatoru bloku vai instrumentu, ja temperatūra ir ārpus diapazona, kas norādīts instrukcijās. Nepareiza lādēšana vai lādēšana temperatūrā, kas ir ārpus norādītā diapazona, var izraisīt akumulatora bojājumus un palielināt uzliesmošanas risku.
- ### EKSPLUATĀCIJA
- Lietojiet ierīci saprātīgās dienas daļās – nelietojiet to agrīno rīta vai vēlā naktī, kad jūs varat traucēt citiem cilvēkiem.
 - Nelietojiet ierīci apstākļos, kur tā var uzsprāgt.
 - Nelietojiet ierīci sliktos laika apstākļos, it īpaši, kad pastāv zibens riski.
 - Pārliecinieties, ka tuvumā stāvošie bērni un dzīvnieki ir 15 m attālumā no jūsu darbošanās vietas. Ja kāds ienāk zonā, apturiet precī.
 - Neizmantojiet pūtēju sliktā apgaismojuma apstākļos. Lietotājam jābūt pilnai redzamībai pār darba zonu, lai spētu identificēt iespējamus draudus.
 - Līdzīgas ierīces izmantošana tuvumā palielina gan risku sabojāt dzirdi, gan iespēju, ka otrs cilvēks ieies jūsu darba zonā.
 - Slīpumā kājas vienmēr turiet stabilā pozīcijā. Ejiet, nekādā gadījumā neskrīeniet.
 - Visada tvirtai stovēkite ir īslaikykite pusiausvyrā. Neipersitempkite. Persitempē galite prarasti pusiausvyrā.
 - Nekad nelietojiet ierīci, ja ir bojāti aizsargi vai pārsegi vai arī drošības ierīces neatrodas vietā.
 - Lai samazinātu tādu ievainojumu risku, kas saistīti ar saskarsmi ar rotējošām daļām, vienmēr izslēdziet produktu un noņemiet akumulatoru bloku. Pārliecinieties, ka visas kustīgās daļas ir pilnīgi apstājušās:
 - pirms atstāt izstrādājumu bez uzraudzības
 - pirms nosprostošanas tīrīšanas
 - pirms iekārtas pārbaudes, tīrīšanas vai labošanas
 - pirms produkta pārbaudes pēc atsienas pret svešķermeņiem
 - ja iekārta sāk neparasti vibrēt (pārbaudiet nekavējoties).
 - Negadījumu vai saplīšanas gadījumā nekavējoties izslēdziet un noņemiet akumulatora bloku. Neizmantojiet izstrādājumu līdz tas nav pilnībā pārbaudīts pilnvarotā servisa centrā.
 - Nepārveidojiet ierīci un nelietojiet detaļas un aksesuārus, kurus nav ieteicies ražotājs.
 - Ja ierīce tiek nomesta, tā ir saskārusies ar smagu triecienu vai tā sāk nevaldāmi vibrēt, nekavējoties izslēdziet ierīci un centieties atrast bojājumu vai arī cēloni šādai vibrācijai. Jebkuriem bojājumiem ir jāveic atbilstošs remonts vai daļu nomaiņa pilnvarotā servisa centrā.
- ### PŪTĒJA DROŠĪBAS BRĪDINĀJUMI
- Putekļainos apstākļos valkājiet sejas filtra masku, lai mazinātu traumu riskus saistībā ar putekļu ieelpošanu.

EN

FR

DE

ES

IT

NL

PT

DA

SV

FI

NO

RU

PL

CS

HU

RO

LV

LT

ET

HR

SL

SK

BG

UK

TR



- Puteklāinos apstākļos viegli samitriniet virsmas.
- Nedarbiniet mašīnu atvērtu logu tuvumā.
- Izmantojiet visu pūtēja sprauslas pagarinājumu, lai gaisa plūsma var darboties tuvu pie zemes un strādāt efektīvi.
- Nevērsiet pūtēja sprauslu cilvēku vai dzīvnieku virzienā.
- Nekādā gadījumā nelieciet priekšmetus pūtēja caurulēs.
- Nenovietojiet izstrādājumu uz dražu kaudzes vai tās tuvumā. Tie var tikt iesūkti gaisa padevē un sabojāt ierīci.

PAPILDU AKUMULATORU BLOKA DROŠĪBAS BRĪDINĀJUMI

Lai novērstu īssavienojuma izraisītu aizdegšanās, savainojumu vai produkta bojājuma risku, neiegremdējiet instrumentu, maināmo akumulatoru vai uzlādes ierīci šķidrums un rūpējieties par to, lai ierīcēs un akumulatoros neiekļūtu šķidrums. Koroziju izraisoši vai vadītspējīgi šķidrums, piemēram, sālsūdens, noteiktas ķīmikālijas, balinātāji vai produkti, kas satur balinātājus, var izraisīt īssavienojumu.

TRANSPORTĒŠANA UN UZGLABĀŠANA

- Pirms produkta novietošanas glabāšanai vai transportēšanas, izslēdziet to, noņemiet akumulatoru bloku un ļaujiet tam atdzist.
- Notīriet visus svešķermeņus no izstrādājuma. Uzglabājiet to vēsā, sausā un labi vēdinātā vietā, kurai nevar piekļūt bērni. Sargiet izstrādājumu no korozīvām vielām, piemēram, dārza ķīmikālijām un pretapledošanas sāls. Neglabājiet produktu ārpus telpām.
- Transportējot nostipriniet ierīci, lai tā nekustētos un neapgāztos, jo tas var izraisīt miesas bojājumus un ierīces bojājumus.

LITIJA BATERIJU TRANSPORTĒŠANA

Transportējiet baterijas saskaņā ar vietējiem un valsts noteikumiem un regulām.

Ievērojiet visas īpašās prasības saistībā ar iepakojumu un marķēšanu, transportējot trešās puses baterijas. Nodrošiniet, ka baterijas transportā nevar nonākt saskarē ar citām baterijām vai vadītspējīgiem materiāliem, aizsargājot atklātos savienotājus ar nevadošiem izolācijas vāciņiem vai lentēm.

Netransportējiet iekļaušas baterijas vai baterijas, kurām ir noplūde. Lūdziet padomu kravu pārvadāšanas uzņēmumam.

APKOPE

Lietojiet tikai oriģinālās ražotāja rezerves daļas, piederumus un uzgaļus. Pretējā gadījumā var tikt radīti ievainojumi un parādīts slikts sniegums, kā arī var tikt anulēta garantija.

Aptarnavimā atlikti būtina itin atdžiai, todēl rekomēduojamē, kad tehniņē apziurā vykdytų kvalifikuotas specialistas. Veiciet apkalpošanu tikai pilnvarotā servisa centrā.

- Regulāri pārbaudiet visus uzgriežņus, stiprinājumus un skrūves, lai pārliecinātos, ka tās ir cieši pievilktas un izstrādājums ir drošā darba stāvoklī. Jebkura bojāta detaļa jānodod remontam vai nomainītai pilnvarotā apkopes centrā.
- Nesiet precī uz pilnvarotu pakalpojumu centru, lai nomainītu bojātos vai nesalasāmās uzlīmes.
- Jūs varat veikt tikai šajā rokasgrāmatā aprakstīto regulēšanu un remontdarbus. Cita veida remontam vai konsultācijām, vērsieties pēc padoma autorizētā servisa centrā.
- Pēc katras lietošanas reizes notīriet precī ar mīkstu, sausu drāniņu.

AIZSPROSTOJUMU ATTĪRĪŠANA

- Lai samazinātu saskarsmes ar kustīgajām daļām radīto ievainojumu risku, vienmēr izslēdziet produktu, noņemiet akumulatoru bloku un pārliecinieties, ka visas kustīgās daļas ir pilnīgi apstājušās.
- Noņemiet pūtēja caurules, lai pārbaudītu nosprostojumus. Ja nepieciešams attīriet caurules.
- Pirms iedarbināt izstrādājumu, uzstādiē atpakaļ pūtēja caurules.

PAZĪSTIET SAVU IERĪCI

Skatīt 106. lappusi

1. Pušanas caurule
2. Slēdzis "ieslēgšana"/"apturēšana"
3. Rokturis
4. Operatora rokasgrāmata
5. Akumulators
6. Lādētājs

UZ PRECES ESOŠIE SIMBOLI



Izlasiet un izprotiet visas norādes pirms produkta lietošanas. Ievērojiet visus brīdinājumus un drošības norādes.



Sargieties no izmestiem vai lidojošiem priekšmetiem. Nodrošiniet, ka nepiederošas personas, bērni un dzīvnieki atrodas vismaz 15 m attālumā no darba zonas.



Rotējoši ventilatori. Kamēr ierīce darbojas, turiet rokas un kājas prom no spraugām.



Lietojiet dzirdes aizsargus



Valkājiet acu aizsargaprīkojumu



Nepakļaujiet lietum vai mitriem apstākļiem.



Eiropas atbilstības zīme



Lielbritānijas atbilstības zīme



EurAsian atbilstības marķējums



Ukrainas atbilstības zīme



Garantētais skaņas intensitātes līmenis



Izlietotie elektroprodukti nedrīkst tikt izmesti kopā ar mājāsaimniecības atkritumiem. Lūdzu, nododiet tos attiecīgajās atk ār tolas izmantošanas vietās. Sazinieties ar savu vietējo varas pārstāvi vai izplatītāju, lai noskaidrotu, kur iespējama atkārtota pārstrāde.

SIMBOLI ŠAJĀ ROKASGRĀMATĀ



Piezīme



Brīdinājums



Atsevišķi nopērkamās daļas vai piederumi

Gaminant šį belaidį pūstuvą didžiausia svarba buvo teikiama jo saugai, efektyvumui ir patikimumui.

NAUDOJIMO PASKIRTIS

Šis belaidis pūstuvus skirtas naudoti tik lauke, sausomis ir pakankamo apšvietimo sąlygomis.

Krūmaplovės negali naudoti vaikai ar asmenys su fiziniais, psichiniais ar jutiminiais sutrikimais.

Įrenginys skirtas lengvoms šiukšlėms, pavyzdžiui, lapams, žolei ir kitoms sodo šiukšlėms, nupūsti.

Nenaudokite kitais tikslais.

BENDRIEJI SAUGOS ĮSPĖJIMAI

⚠ ĮSPĖJIMAS! Perskaitykite visus saugos įspėjimus ir visą instrukciją. Įspėjimų ir instrukcijų nesilaikymas gali sukelti elektros smūgį, gaisrą ir (ar) rimtus sužeidimus. Saugokite šiuos įspėjimus ir nurodymus, kad galėtumėte vadovautis jais vėliau.

⚠ ĮSPĖJIMAS! Šio gaminio jokia būdu negalima leisti naudoti vaikams ar asmenims, nesusipažinusiems su šiomis instrukcijomis. Vietos įstatymai gali apriboti įrengimo operatoriaus amžių.

APMOKYMAS

- Atidžiai perskaitykite instrukcijas. Gerai žinoti apie valdiklius ir tinkamą krūmaplovės naudojimą.
- Turėkite omenyje, kad operatorius arba vartotojas yra atsakingas už nelaimingus atsitikimus arba kitiems asmenims ar jų turtui sukeltą pavojų.
- Nesinaudokite įrankiu būdami pavargę, apsvaigę nuo narkotinių medžiagų, alkoholio arba vaistų.

PARUOŠIMAS

- Kai kuriuose regionuose šio gaminio naudojimą tam tikriems darbams apriboja galiojantys įstatymai. Kreipkitės patarimo į vietos įstaigą.
- Naudodami šią krūmaplovę, visada dėvėkite klausos apsaugą. Įrenginys veikia triukšmingai ir gali negražinamai pažeisti klausą, jei nebus imtasi ir griežtai laikomasi atsargumo priemonių dėl triukšmo poveikio trukmės ribojimo ir triukšmo lygio mažinimo.

- Naudodami šią krūmaplovę, visada dėvėkite pilną akių apsaugą. Dėvėkite visą veidą dengiančią kaukę arba visiškai uždarus darbo akinius. Įprasti ar saulės akiniai nėra tinkama apsaugos priemonė. Galingas oro srautas bet kada gali išteksti objektus dideliu greičiu ir jie gali atšokę rikošetu sužeisti operatorių.
- Naudodami krūmaplovę, būtinai dėvėkite tinkamą avalynę ir mėvėkite kelnes ilgomis klešnėmis. Nedirbkite su šiuo prietaisu neapsiauvę arba avėdami atvirus sandalus. Nedėvėkite laisvų drabužių arba drabužių su kabanciais raišteliais arba virvelėmis.
- Nedėvėkite dukšlių drabužių ar papuošalų, kurie gali būti įtraukti į oro įleidimo angą. Ilgus plaukus reikia susegti virš pečių lygio, kad neįsispainiotų į judančias dalis.
- Prieš kiekvieną naudojimą patikrinkite, ar tinkamai veikia visi valdikliai ir saugos įtaisai. Nenaudokite krūmaplovės, jeigu išjungimo jungikliu nepavyksta sustabdyti variklio.
- Gaminį reikia naudoti pastatytą į rekomenduojamą padėtį ir tik ant tvirto, lygaus paviršiaus.
- Prietaiso nenaudokite ant grįstos ar žvyro dangos, kur išmestos medžiagos gali sukelti sužeidimus.
- Kiekvieną kartą prieš naudojant, reikia patikrinti, ar nepažeistas korpusas. Patikrinkite, ar apsauginiai įtaisai ir rankenos sumontuotos ir tinkamai priveržtos. Siekiant išlaikyti įrankio pusiausvyrą, nusidėvėjusias ar pažeistas dalis pakeiskite. Pakeiskite pažeistas ar neįskaitomas etiketes.
- Niekada nenaudokite šio prietaiso šalia esant kitiems asmenims, gyvūnams, o ypač vaikams.
- Stebėkite, kad oro vėsinimo įsiurbimo angos neužsiklištų atliekomis.
- Prieš naudodami pūstuvą atlaisvinkite šiukšles grėbliu ir šluota.
- Prieš pradėdami darbą sutvarkykite darbo vietą. Pašalinkite visus daiktus, tokius kaip akmenys, stiklo duženos, vinyas, vielos ar virvės, kurie gali būti toli nupūsti greito oro srauto.
- Ilgiau naudojant, įrankis kelia sužeidimų pavojų ir apsunkina darbą. Ilgiau naudojant įrankius, reikia reguliariai daryti pertraukas.

ĮRANKIO SU AKUMULIATORIUMI NAUDOJIMAS IR PRIEŽIŪRA

- Pakartotiniai kraukite prietaisą tik naudodami gamintojo nurodytą kroviklį. Vieno tipo akumuliatoriui tinkantis įkroviklis gali kelti gaisro pavojų kitokiam akumuliatoriui.
- Elektrinius įrankius naudokite tik su jiems skirtais baterijų paketais. Naudojant kitokius akumulatorius, galima susižeisti ar sukelti gaisrą.
- Kai akumulatorius nenaudojamas, jį laikykite toliau nuo kitų metalinių daiktų, pavyzdžiui, sąvaržėlių, monetų, raktų, vinių, varžtų ar kitų mažų metalinių daiktų, kurie vieną gnybtą gali sujungti su kitu. Sutrumpinus vieną akumuliatoriaus gnybtą su kitu, galima nusideginti arba sukelti gaisrą.
- Netinkamomis sąlygomis iš akumuliatoriaus gali ištekėti skystis - nelieskite jo. Jei atsitiktinai prisilietėte - nuplaukite vandeniu. Jei skystis pateko į akis, nedelsiant kreipkitės į gydytoją. Iš akumuliatoriaus ištekėjęs skystis gali nudeginti ar sukelti sudirginimus.
- Nenaudokite akumuliatorių bloko ar įrankio, kuris yra sugadintas arba pakeistas. Sugadinti arba pakeisti akumuliatoriai gali veikti neprognozuojamai ir dėl to gali kilti gaisras, sproginimas arba pavojus susižaloti.
- Neleiskite, kad akumuliatorių blokas patektų į ugnį arba kad jį veiktų per didelė temperatūra. Patekus į ugnį arba veikiant aukštesnei kaip 130 °C temperatūrai gali kilti sproginimas.
- Laikykitės visų įkrovimo instrukcijų ir neįkraukite akumuliatorių bloko ar įrankio jei temperatūra yra už instrukcijose nurodyto diapazono ribų. Netinkamai įkraunant arba jei temperatūra yra už nurodyto diapazono ribų gali būti sugadinti akumuliatoriai ir padidėti gaisro pavojus.

EKSPLOATAVIMAS

- Naudokite prietaisą tik priimtinomis valandomis - ne anksti ryte ar vėlai vakare, kai jo skleidžiamas triukšmas gali drumsti žmonių ramybę.
- Jokiu būdu nenaudokite prietaiso sprogioje aplinkoje.
- Stengtis nenaudoti krūmapjovės blogomis oro sąlygomis, ypač, kai yra žaibavimo pavojus.
- Pašaliniai asmenys, vaikai ir gyvūnai turi būti 15 m atstumu nuo genėjimo vietos. Į apdirbamą plotą įėjus pašaliniam asmeniui, gaminį reikia sustabdyti.
- Nenaudokite šio gaminio prasto apšvietimo sąlygomis. Kad pastebėtų galimus pavojus, prietaisu dirbančiam asmeniui turi būti sudarytos gero matomumo sąlygos.
- Netoliese naudojant panašius prietaisus padidėja pavojus pakenkti klausą ir galimybė kitiems asmenims patekti į darbo zoną.
- Nuolat atkreipkite dėmesį į stabilią stovėseną nuolaidžiose vietose. Visada eikite, niekada nebėkite.
- Visada tvirtai stovėkite ir išlaikykite pusiausvyrą. Nepersitempkite. Persitempę galite prarasti pusiausvyrą.
- Niekada nenaudokite šio prietaiso, jei pažeisti jo apsauginiai gaubtai ar skydeliai, nenaudokite be apsauginių įtaisų.
- Siekiant su mažinti susižalojimo pavojų, galintį kilti dėl sąlyčio su besisukančiomis dalimis, visada išjunkite įrenginį ir išimkite akumuliatorių. Patikrinkite, ar visos judančio dalys visiškai nustojo sukintis.
 - Prieš palikdami įrenginį be priežiūros
 - prieš šalindami užsikimšimus
 - prieš tikrindami ar valydami prietaisą arba prieš pradėdami juo pjauti žolę;
 - prieš tikrindami įrenginį jam atsitrenkus į koją nors pašalinį objektą
 - Prietaisui pradėjus neišprastai vibruoti (kuo skubiau patikrinkite).
- Nelaimingo atsitikimo arba gedimo atveju nedelsdami išjunkite įrenginį ir išimkite akumuliatorių. Nenaudokite įrenginio tol, kol jis nebus išsamiai patikrintas įgaliosos techninės priežiūros centre.
- Niekaip nemodifikuokite prietaiso ir nemontuokite dalių bei priedų, kurias naudoti nepataria gamintojas.
- Numetus krūmapjovę, jai stipriai susitrenkus ar pradėjus neišprastai vibruoti, ją reikia nedelsiant sustabdyti ir patikrinti, ar nepakenkta arba nustatyti vibravimo priežastį. Bet koks gedimas privalo būti tinkamai sutaisytas arba sugadinta dalis pakeista įgaliosame techninės priežiūros centre.

NUPŪTIMO ORU PRIETAISO SAUGOS ĮSPĖJIMAI

- Esant dulkėms, dėvėkite kaukę nuo dulkių, kad dulkių įkvėpus sumažintumėte pavojų sveikatai.
- Kai valote dulkėtas vietas, šiek tiek sudrėkinkite valomus paviršius.
- Šio prietaiso nenaudokite prie atvirų langų.
- Ištieskite pūtimo įtaiso antgalį visu ilgiu, kad oro srovė pūstų arti žemės ir darbas būtų našus.
- Pūstuvo antgalio nenukreipkite į žmones ar gyvūnus.
- Jokiu būdu nedėkite daiktų į nupūtimo oru prietaiso vamzdžius.
- Nelaikykite įrenginio ant palaidų atliekų viršaus ar šalia jų. Prietaisas gali įtraukti sąnašas į įsiurbimo angą ir dėl to sugesti.

PAPILDOMI AKUMULIATORIAUS SAUGOS ĮSPĖJIMAI

Siekdami išvengti trumpojo jungimo sukeltą gaisro pavojų, sužalojimų arba produkto pažeidimų, neikiškite įrankio, keičiamo akumulatoriaus arba įkroviklio į skysčius ir pasirūpinkite, kad į prietaisus arba akumulatorius nepatektų jokių skysčių. Koroziją sukeliantys arba laidūs skysčiai, pvz., sūrus vanduo, tam tikri chemikalai ir balikliai arba produktai, kurių sudėtyje yra baliklių, gali sukelti trumpąjį jungimą.

GABENIMAS IR LAIKYMAS

- Išjunkite įrenginį, išimkite akumuliatorių ir palaukite, kol įrenginys atvės, jei norite jį padėti saugojimo vietai arba transportuoti.
- Nuo įrankio nuvalykite visas pašalines medžiagas. Laikykite vėsioje, sausoje, gerai vėdinamoje ir vaikams nepasiekiamoje vietoje. Laikykite gaminį toliau nuo korozinių medžiagų, pvz. sodo chemikalų ir tirpdančių druskų. Nelaikykite įrenginio lauke.
- Paruošiant gabenimui, gaminį reikia pritvirtinti, kad nejudėtų ir nenuksitų, nes priešingu atveju jis gali sužaloti žmones arba sugesti pats.

LIČIO BATERIJŲ TRANSPORTAVIMAS

Akumuliatorių gabenkite pagal vietinius ir šalies reikalavimus bei nuostatas.

Akumuliatorių gabenant trečiajai šaliai būtina laikytis visų specialių reikalavimų, nurodytų pakuotėse ir etiketėse. Užtikrinkite, kad gabenimo metu nei vienas akumuliatorių nesilieštų su kitais akumulatoriais arba laidžiosiomis medžiagomis – apsauginius jungiamuosius elementus uždenkite izoliacinėmis nelaidžiomis movomis arba juosta. Įskilusių ir tekančių akumuliatorių negabenkite. Dėl tolesnių patarimų kreipkitės į transporto įmonę.

PRIEŽIŪRA

Keitimui naudokite tik originalias gamintojo atsargines dalis. Neoriginalios dalys gali būti sužeidimų ir įrenginio blogo veikimo priežastis, ir dėl to gali būti anuliuotas garantinis pažymėjimas.

Aptarnavimą atlikti būtina itin atidžiai, todėl rekomenduojame, kad techninę apžiūrą vykdytų kvalifikuotas specialistas. Įrenginį techninei priežiūrai pristatykite tik į įgaliotąjį techninės priežiūros centrą.

- Dažnai tikrinkite visas varžles, varžtus ir sraigtus, ar jie tvirtai laikosi ir ar gaminyje yra saugios darbo būklės stovyje. Bet kurią apgadintą detalę leidžiama remontuoti arba keisti tik autorizuosime aptarnavimo centre.
- Prireikus pakeisti sugadintas ar neįskaitomas etiketes, gaminį reikia nugabenti į įgaliotą techninio aptarnavimo centrą.
- Gaminį reguliuoti ar taisyti patiems galima tik tiek, kiek aprašyta šiame vadove. Dėl kitų dalių taisymo ar pagalbos taisant reikia kreiptis į įgaliotą techninio aptarnavimo centrą.
- Po kiekvieno naudojimo, išvalykite įrenginį sausu švelnaus audinio gabalėliu.

UŽSIKIMŠUSIO GAMINIO VALYMAS

- Norėdami išvengti pavojaus susižaloti prisilietus prie judančių dalių, visada būtina išjunkite įrenginį, išimkite akumuliatorių ir įsitikinkite, kad visos judančios dalys visiškai sustoję.
- Nuimkite pūtimo vamzdžius ir patikrinkite, ar neužsikimšo. Jei vamzdžiai užsikimšę, iš jų reikia pašalinti kamščius.
- Prieš vėl įjungdami gaminį montuokite pūstuvo vamzdžius.

PAŽINKITE SAVO GRANDININĮ PJŪKLĄ

Žr. 106 psl.

1. Nupūtimo vamzdis
2. ĮJUNGIMO/ISJUNGIMO jungiklis
3. Rankena
4. Vartotojo instrukcija
5. Baterija
6. Įkroviklis



Elektrinių produktų atliekos neturi būti metamos kartu su namų ūkio atliekomis. Prašome perdirbkite jas ten, kur yra tokios perdirbimo bazės. Dėl perdirbimo patarimo kreipkitės į savo vietinę savivaldybę ar pardavėją.

SIMBOLIAI ANT ĮRENGINIO

Reguliariai ir prieš kiekvieną naudojimą tikrinkite, ar tinkamai užveržti visi sraigčiai, varžtai ir veržlės, kad užtikrintumėte saugą darbo aplinką. Vadovaukitės visais įspėjimais ir saugos taisyklėmis.



Saugokitės išmetamų arba skrendančių objektų. Visi pašaliečiai, ypač vaikai ir naminiai gyvūnai, privalo būti bent 15 m atstumu nuo darbo vietos



Sukamieji ventiliatoriai. Kai krūmapjovė veikia, laikykite rankas ir kojas atokiai nuo angų.



Dėvėkite ausų apsaugos priemones



Dėvėkite apsauginius akinius



Nenaudoti lyjant ar esant drėgnoms sąlygoms.



Europos atitikties ženklas



Didžiosios Britanijos atitikties ženklas



„EurAsian“ atitikties ženklas



Ukrainos atitikties ženklas



Garantuotas akustinis lygis

SIMBOLIAI VADOVE

Pastaba



Įspėjimas!



Detalės arba priedai yra parduodami atskirai

Akutoitega puhuri juures on peetud esmatähtsaks selle ohutust, töövoimet ja töökindlust.

OTSTARBEKOHANE KASUTAMINE

Akutoitega puhur on mõeldud kasutamiseks väljas kuivas ja hästi valgustatud tingimustes.

Seade ei ole ette nähtud kasutamiseks laste või nende isikute poolt, kellel on piiratud füüsilised, vaimsed või sensoorsed võimed.

Seade on mõeldud kergete jäätmete, nagu lehtede, rohu ja muude aiajäätmete puhumiseks.

Ärge kasutage ühekski muuks otstarbeks.

OHUTUSE ÜLDESKIRJAD

⚠ HOIATUS! Lugege kõik ohuhoiatused ja juhised läbi. Hoiatuste ja juhiste eiramisel on oht saada elektrilööki või raskeid kehavigastusi ning/või põhjustada tulekahju. Hoidke kõik hoiatused ja juhised tulevikus vaatamiseks alles.

⚠ HOIATUS! Ärge laske kultivaatorit kasutada lastel ega neil, kes ei ole käesoleva juhendiga tutvunud. Kohalikud regulatsioonid võivad seada kasutaja vanusele piiranguid.

VÄLJAÖPE

- Lugege juhised hoolikalt läbi. Õppige tundma kõiki seadme juhtseadiseid ja kasutusnõudeid.
- Pidage meeles, et operaator või kasutaja on vastutav õnnetuste või ohuolukordade eest, mis võivad puudutada teisi inimesi või nende vara.
- Ärge kasutage toodet, kui olete väsinud, haige või narkootikumide, alkoholi või ravimite mõju all.

ETTEVALMISTUSTOIMINGUD

- Mõnedes piirkondades on seadused, mis piiravad toote kasutamist teatud tööde tegemiseks. Lisateavet saate kohalikest omavalitsusest.
- Kandke selle seadme kasutamisel alati kuulmiskaitseid ja kaitseprille. Toode tekitab müra ja võib põhjustada püsiva kuulmiskahjustuse, kui ei peeta rangelt kinni ettevaatusabinõudest, et piirata müraga kokkupuutumist ja müra vähendada.

- Kandke selle seadme kasutamise ajal alati silmakaitsevahendeid. Utilice una máscara facial completa o gafas totalmente cerradas. Tavalised kaitseprillid või päikesepriidid ei ole nõuetekohased kaitsevahendid. Objektid võivad võimsa õhujoo toimel suurel kiirusel igal hetkel välja lennata ja võivad kõvadelt pindadelt pörkuda operaatori suunas.
- Kandke seadmega töötamisel kinniseid jalanõusid ja pikki pükse. Ärge kasutage seadet paljajalu ega kandke töötamise ajal lahtisi sandaale. Vältige selliste riiete kandmist, mis on lõdvad või millel on paelad või sidemed.
- Ärge kandke lõtvu riietusesemed või ehteid, mida võidakse tõmmata õhu sissevõtuavasse. Kinnitage pikad juuksed õlgadest kõrgemale, et vältida nende takerdumist liikuvate osade vahele.
- Enne seadme kasutamise alustamist veenduge, et kõik juht- ja ohutusseadised töötavad nõuetekohaselt. Kui seade nupule OFF vajutamisel välja ei lülitu, ärge hakake tööriista kasutama.
- Kasutage seadet soovitatud asendis ja töötage ainult tugeval horisontaalsel pinnal.
- Ärge kasutage masinat sillutatud või kruusaga kaetud pinnal, kus väljalastav materjal võib põhjustada vigastusi.
- Enne iga kasutuskorda kontrollige korpus üle vigastuste suhtes. Veenduge, et kaitsekatte ja käepidemed on oma kohtadel ja nõuetekohaselt kinnitatud. Ärakulunud ja vigastatud osad tuleb asendada komplektis, et säilitada tasakaalustatus. Asendage vigastatud või mitteloetavad sildid.
- Ärge kasutage seadet, kui läheduses on teisi inimesi, eriti lapsi või lemmikloomi.
- Hoidke jahutusõhu pilud prahist puhtad.
- Kasutage enne puhumist reha ja luuda, et prügi oleks lahtine.
- Enne töö alustamist tuleb tööpiirkond alati korrastada. Eemaldage tööpiirkonnast kõik esemed, nagu kivid, klaasikillud, naelad, juhtmed või nõõrid, mis võivad suure õhuvoolu tõttu kaugele välja paiskuda.
- Seadme pikaajalisel kasutamisel võite saada kehavigastusi ja varasemad vigastused võivad süveneda. Seadme kasutamisel pika aja jooksul tuleb teha korralisi vaheaegasid.

AKUTÖÖRIISTA KASUTAMINE JA KOR-RASHOID

- Laadige akut ainult tootja poolt ettenähtud laadijaga. Akulaadiaja, mis sobib ühele akupaketile võib põhjustada tulekahju, kui seda kasutada teise akupaketiga.
- Kasutage akutööriista ainult selleks ettenähtud akudega. Muude akupakettide kasutamine võib põhjustada kehavigastusi või tulekahju.
- Sel ajal kui akupakett ei ole kasutusel, hoidke seda eemal metalletest nagu kirjaklambrid, mündid, võtmed, naelad, kruvid ja muudest väikestest metallobjektidest, mis võivad akuklemmid lühistada. Aku klemmide lühistamine võib põhjustada põletust või tulekahju.
- Aku vale kasutamise korral võib akuvedelik välja voolata - vältige sellega kokkupuudet. Akuvedeliku nahale sattumisel peske see veega maha. Vedeliku silma sattumisel pöörduge viivitamatult arsti poole. Väljapritsv akuveelik võib tekitada nahaärritust või -põletust.
- Ärge kasutage vigast või ümbertehtud akut ega tööriista. Vigased või ümbertehtud akud võivad toimida ettearvatult, mille tagajärjeks on tulekahju, plahvatus või vigastuste oht.
- Ärge jätke akut või tööriista tule lähedale ega liiga kõrge temperatuuri kätte. Tuli või temperatuur üle 130 °C võib põhjustada plahvatust.
- Järgige kõiki laadimisjuhiseid ning ärge laadige akut ega tööriista väljaspool juhistes määratletud temperatuurivahemikku. Vale laadimine või laadimine väljaspool määratletud temperatuurivahemikku võib akut rikkuda ja suurendada tulekahju ohtu.

KASUTAMINE

- Töötage masinaga ainult mõistlikul kellaajal, mitte aga varahommikul, hilisõhtul või öösel, kui see võib teisi inimesi häirida.
- Ärge kunagi kasutage seadet plahvatusohtlikus keskkonnas.
- Vältige seadme kasutamist halva ilmaga, eriti siis kui on äikese oht.
- Hoidke kõik kõrvalseisjad, lapsed ja lemmikloomad tööalalt vähemalt 15 meetri kaugusele. Kui keegi tööpiirkonda siseneb, siis seisake kultivaator.

- Ärge kasutage toodet kehva valgustuse korral. Töötajal peab tööpiirkonnale olema selge väljavaade, et tuvastada võimalikud ohud.
- Mitme sarnase seadme töötamisel samas piirkonnas suurendab kuulmiskahjustuse riski töötajal ja inimestel, kes tööpiirkonda sisenevad.
- Kallakul töötamisel tagage endale kindel jalgealune. Töötamisel kõndige, ärge kunagi jookske.
- Hoidke kindlat jalgade asendit ja tasakaalu. Ärge kummardage. Kummardamine võib põhjustada tasakaalu kadumist.
- Ärge kasutage seadet, mille kaitsed või katted on vigastatud või ilma kaitseseadisteta.
- Et vähendada pöörlevate osadega kokkupuutumisest tingitud vigastuste ohtu, lülitage alati toode välja ja eemaldage aku. Veenduge, et kõik masina liikuvad osad on täielikult seiskunud:
 - enne toote juurest lahkumist
 - enne takistuste kõrvaldamist
 - enne kontrollimist, puhastamist või teenindamist,
 - enne toote kontrollimist, kui see on võõrkehaga kokku puutunud
 - kui muruniiduk hakkab ebanormaalselt vibreerima (kontrollige viivitamatult).
- Lülitage otsekohe välja ja eemaldage aku õnnetuse või rikke korral. Ärge kasutage tööriista enne, kui see on volitatud parandustöökojas põhjalikult kontrollitud.
- Ärge püüdke seadme konstruktsiooni mingil viisil muuta ega kasutage varuosi või tarvikud, mis pole tootja poolt soovitatud.
- Kui seade on maha kukkunud, saanud tugeva löögi või hakkab ebanormaalselt vibreerima, seisake seade viivitamatult ja kontrollige see üle vigastuste suhtes. Kõik vead tuleb lasta volitatud teeninduses korralikult ära parandada või osad välja vahetada.

PUHURI OHUTUSJUHISED

- Tolmustes tingimustes töötamisel kandke respiraatorit, et vähendada tolmu sissehingamisest põhjustatud tervisekahjustusi.
- Tolmuses kohas niisutage pindasid.

- Ärge kasutage seadet avatud akende läheduses.
- Pikendage puhuri toru sellise pikkuseni, mille puhul saate õhku puhuda maapinna lähedal ja tõhusalt töötada.
- Ärge mingil juhul suunake puhuri otsakut inimeste või lemmikloomade suunas.
- Ärge pange mingeid esemeid puhuri toru sisse.
- Ärge asetage toodet lahtise prügi peale ega lähedale. Praht võidakse imeda ventilaatori sissetõmbeavadesse ja see võib põhjustada seadme vigastumise.

AKU LISAOHUTUSJUHISED

Siekdami išvengti trumpojo jungimo sukeliama gaisro pavojaus, sužalojimų arba produkto pažeidimų, nekiškite įrankio, keičiamo akumulatoriaus arba įkroviklio į skysčius ir pasirūpinkite, kad į prietaisus arba akumulatorius nepatektų jokių skysčių. Korrodeeruvad või elektrit juhtivad vedelikud, nagu soolvesi, teatud kemikaalid ja pleegitusained või pleegitusaineid sisaldavad tooted, võivad põhjustada lühisid.

TRANSPORTIMINE JA HOIUSTAMINE

- Išjunkite įrenginį, išimkite akumuliatorių ir palaukite, kol įrenginys atvės, jei norite jį padėti saugojimo vietai arba transportuoti.
- Puhastage seade kõikidest võõrkehadest. Hoidke kuivas ja hästi ventileeritud kohas, mis on lastele juurdepääsmatu. Hoidke seadet eemal korrodeerivatest ainetest, nagu aiakemikaalid ja jääsulatussoolad. Ärge hoiustage toodet väljas.
- Vedamise ajal tõkestage kultivaator liikuma hakkamise ja alla kukkumise vastu, et vältida kehavigastusi ja masinaosade kahjustamist.

LIITUMAKUDE TEISALDAMINE

Akude transportimisel juhenduge kasutuskohas kehtivatest riiklikest määrustest ja eeskirjadest.

Akude transportimisel allettevõtjate poolt järgige kõiki pakkimise ja tähistamise erinõudeid. Veenduge, et akud ei satu kokkupuutese teiste akude ega voolu juhtivate materjalidega, kui avatud klemmid on transportimise ajal kaitstud voolu mittejuhtivate isoleerkorkide või teibiga. Ärge transportige pragunenud või lekkivaid akusid. Küsige lisateavet transportettevõtelt.

HOOLDUS

Kasutage ainult tootja originaalvaruosi, tarvikuid ja tööorganeid. Selle nõude eiramine võib põhjustada, kehavigastuse, tootluse languse ja teile antud garantii tühistamise.

Hooldamine nõuab ülimalt korrashoidu ja teadmisi ning tuleks teostada ainult kvalifitseeritud hooldustehnikute poolt. Toodet tohib parandada vaid volitatud teeninduses.

- Kontrollige kõiki mutreid, polte ja kruvisid sagedaste intervallidega õige pinguloleku suhtes, et veenduda toote ohutus töökorras olemises. Vigastatud osad tuleb lasta pädeval hooldajal parandada või asendada.
- Pöörduge vigastatud ja loetamatute kleebiste asendamiseks volitatud hoolduskeskuse poole.
- Lubatud on teha ainult selles kasutusjuhendis kirjeldatud reguleerimis- ja parandustoiminguid. Muude remonditööde tellimiseks ja abi saamiseks pöörduge volitatud hoolduskeskusesse.
- Pühkige trimmer pärast iga kasutuskorda pehme kuiva lapiga puhtaks.

UMMISTUSE KÕRVALDAMINE

- Et vähendada liikuvate osadega kokkupuutumisest tingitud vigastuste ohtu, lülitage alati toode välja, eemaldage aku ja veenduge, et kõik liikuvad osad on täielikult peatunud.
- Ummistuse kontrollimiseks eemaldage puhuritorud. Vajaduse korral puhastage torud.
- Enne toote käivitamist pange puhuritorud tagasi.

ÕPPIGE OMA TOODET TUNDMA

Vt leht 106.

1. Puhumistoru
2. SISSE/VÄLJA lüliti
3. Käepide
4. Kasutusjuhend
5. Aku paketiiga
6. Laadija

MASINAL OLEVAD SÜMBOLID



Enne toote kasutamist lugege läbi ja tehke endale selgeks kõik juhised. Järgige kõiki hoiatusi ja tööohutuseeskirju.



Hoiduge ülespaisatud ja lendavate esemete eest. Hoidke kõik kõrvalised isikud, eelkõige lapsed ja koduloomad, vähemalt 15 m kaugusel tööpiirkonnast.



Pöörlevad ventilaatorid. Kui seade töötab, siis hoidke oma käed ja jalad avast eemale.



Kandke kuulmiskaitsevahendeid



Kandke silmakaitsevahendeid



Nenautoti lyjant ar esant drëgnoms salygoms.



Euroopa vastavusmärgis



Suurbritannia vastavusmärgis



Euraasia vastavusmärk



Ukraina vastavusmärgis



Garanteeritud helivõimsuse tase



Mittekasutatavaid elektritooteid ei tohi visata olmejäätmete hulka. Vaid tuleb viia vastavasse kogumispunkti. Vajadusel küsige sellekohast nõu oma edasimüüjalt või vastavalt kohaliku omavalitsuse institutsioonilt.

KASUTUSJUHENDI SÜMBOLID



Märkus



Hoiatus



Eraldi ostetavad osad või tarvikud

Dizajn Vaše akumulatorske pihalice za lišće počiva na prioritetima sigurnosti, visokih performansi i pouzdanosti.

NAMJENA

Puhalica za lišće namijenjena je isključivo uporabi na vanjskim prostorima, u suhim i dobro osvijetljenim uvjetima.

Ovaj proizvod nije namijenjen za korištenje od strane djece ili osoba sa smanjenim fizičkim, psihičkim ili mentalnim mogućnostima.

Proizvod je dizajniran za otpuhivanje lakog otpadnog materijala kao što su lišće, trava i drugi vrtni otpad.

Nemojte koristiti oštricu u nikakvu drugu svrhu.

OPĆA SIGURNOSNA PRAVILA

⚠ UPOZORENJE! Pročitajte sva sigurnosna upozorenja i sve upute. Nepridržavanje upozorenja i uputa može izazvati strujni udar, požar i/ili ozbiljne ozljede. Sačuvajte ova upozorenja i upute kako biste ih naknadno mogli konzultirati.

⚠ UPOZORENJE! Nikada nemojte dopustiti korištenje proizvoda djeci ili osobama koje nisu upoznate s uputama. Moguće je da lokalni propisi propisuju starosnu dob rukovatelja.

OBUKA

- Pažljivo pročitajte upute. Upoznajte se s upravljačkim elementima i pravilnim korištenjem proizvoda.
- Imajte na umu da je rukovatelj ili korisnik odgovoran za nezgode ili opasnosti koje nastanu drugim osobama ili njihovoj imovini.
- Ne koristite proizvod ako ste umorni ili pod utjecajem droga, alkohola ili lijekova.

PRIPREMA

- Neke regije imaju pravila koja ograničavaju korištenje proizvoda za neke radove. Provjerite kod lokalnih tijela za savjet.
- Cijelo vrijeme dok radite s proizvodom nosite zaštitu za oči. Proizvod je bučan i ako se strogo ne pridržavate mjera za ograničenje izlaganja i smanjenje buke, može prouzročiti trajno oštećenje sluha.
- Cijelo vrijeme nosite potpunu zaštitu za oči. Nosite masku preko cijelog lica ili potpuno zatvorene naočale. Obične naočale ili sunčane naočale nisu adekvatna zaštita. Predmeti mogu biti odbačeni velikom brzinom snažnim mlazom zraka i mogu se odbiti od tvrde površine prema operateru.

- Tijekom rada s proizvodom uvijek nosite zaštitnu obuću i duge hlače. Nemojte raditi bosu ili u otvorenim sandalima. Izbjegavajte nositi odjeću koja je labava ili s nje visi konop ili kravata.

- Nemojte nositi labavu odjeću ili nakit koji može biti povučen u otvor za zrak. Osigurajte dugu kosu na način da je iznad razine ramena kako biste spriječili zahvaćanje u pokretne dijelove.

- Osigurajte prije svakog korištenja da svi upravljački elementi i sigurnosni uređaji pravilno funkcioniraju. Ne koristite alat ako sklopka „isključeno“ ne zaustavlja proizvod.

- Radite s proizvodom u preporučenom položaju i samo na čvrstoj, ravnoj površini.

- Nemojte raditi s uređajem na popločanim ili šljunčanim površinama gdje odbačeni materijal može uzrokovati ozljedu.

- Prije svakog korištenja uvijek provjerite kućište za oštećenja. Osigurajte da su štitnici i ručke pravilno postavljeni i pričvršćeni. Kako biste održali simetriju uređaja zamijenite istrošene ili oštećene komponente u sklopovima. Zamijenite oštećene ili nečitljive naljepnice.

- Nikada ne radite s uređajem dok su u blizini ljudi, osobito djeca ili kućni ljubimci.

- Održavajte sve ulaze za zrak čistim od krhotina.

- Prije puhanja metlom i grabljama očistite ostatke koliko je to moguće.

- Prije svakog korištenja očistite radno područje. Uklonite sve predmete kao što su kamenje, slomljeno staklo, čavli, žica ili konopi koji mogu biti odbačeni uslijed velike brzine.

- Povrede mogu biti uzrokovane ili zadobivene produljenim korištenjem alata. Kada koristite bilo koji alat dulje vremena, osigurajte da uzimate povremene stanke.

KORIŠTENJE I BRIGA O AKU ALATU

- Punite samo s punjačem navedenim od proizvođača. Punjač koji je prikladan za jednu vrstu baterija može dovesti do opasnosti od požara kada se koristi s drugom baterijom.

- Koristite AKU alate samo s posebno naznačenim baterijama. Korištenje bilo kojih drugih baterija dovodi do opasnosti od ozljeda i požara.

- Kada se baterija ne koristi držite je dalje od drugih metalnih predmeta kao što su spajalice za papir, kovanice, ključevi, čavli, vijci ili drugi mali metalni predmeti koji mogu spojiti jedan pol na drugi. Kratki spoj polova baterije može izazvati opekotine ili požar.
- Pod uvjetima loma može doći do izbacivanja tekućine iz baterije, izbjegavajte kontakt. Ako dođe do nehotičnog kontakta, isperite to mjesto s vodom. Ako tekućina dospije u oči, dodatno potražite liječničku pomoć. Tekućina koja istječe iz baterije može dovesti do iritacije ili opekotina.
- Nemojte koristiti bateriju ili alat koji su oštećeni ili modificirani. Oštećene ili modificirane baterije mogu imati nepredvidivo ponašanje, što može dovesti do požara, eksplozije ili rizika od tjelesnih ozljeda.
- Nemojte izlagati bateriju ili alat vatri ili visokim temperaturama. Izlaganje vatri ili temperaturama višim od 130°C može dovesti do eksplozije.
- Slijedite sve upute za punjenje i nemojte puniti bateriju ili alat na temperaturama izvan temperaturnog raspona specificiranog u uputama. Nepravilno punjenje ili punjenje na temperaturama izvan specificiranog raspona može oštetiti bateriju i povećati rizik od požara.
- Zauzmite čvrst stav i ravnotežu. Ne sežite preko određene granice. Sezanje preko određene granice može imati za posljedicu gubitak ravnoteže.
- Nikada nemojte raditi s uređajem s oštećenim pokrovima ili štitnicima, ili bez sigurnosnih uređaja.
- Kako biste smanjili rizik od ozljeda zbog kontakta s okretnim dijelovima, uvijek isključite proizvod i izvadite baterijski sklop. Provjerite da su svi pokretni dijelovi zaustavljeni:
 - prije ostavljanja proizvoda bez nadzora
 - prije čišćenja blokada
 - prije provjere, čišćenja ili rada na uređaju
 - prije pregledavanja proizvoda nakon udara u strano tijelo
 - ako uređaj počne abnormalno vibrirati (odmah provjerite).
- Odmah ga isključite i izvadite baterijski sklop u slučaju nesreće ili kvara. Proizvodom nemojte ponovno rukovati sve dok ga potpuno ne provjeri ovlašteni servisni centar.
- Nemojte modificirati uređaj ni na koji način ili koristiti dijelove ili dodatni pribor koje nije preporučio proizvođač.
- Ako je proizvod ispao, pretrpio težak udar ili abnormalno vibrira, odmah zaustavite proizvod i provjerite na oštećenje ili identificirajte uzrok vibracija. Svako oštećenje smije popraviti ili zamijeniti isključivo ovlašteni servisni centar.

UPORABA

- Radite s uređajem na napajanje u razumne sate – ne rano ujutro ili kasno navečer kada možete uznemiravati ljude.
- Nikada ne radite s proizvodom u eksplozivnoj atmosferi.
- Izbjegavajte korištenje proizvoda u lošim vremenskim uvjetima, posebice ako postoji opasnost od udara munje.
- Držite promatrače, djecu i kućne ljubimce 15 m dalje od područja rada. Zaustavite proizvod ako bilo tko uđe u područje rada.
- Nemojte rukovati proizvodom pri lošem osvjetljenju. Operateru treba jasan pogled radnog područja kako bi identificirao potencijalne opasnosti.
- Rad u blizini sličnim alatom dovodi do opasnosti povreda sluha i mogućim ulaskom drugih osoba u radno područje.
- Uvijek se čvrsto uprite na kosinama. Hodajte, nemojte trčati.

SIGURNOSNA UPOZORENJA VEZANO ZA PUHALICU

- U prašnjavim uvjetima nosite masku za lice s filtrom kako biste smanjili opasnost o ozljeda vezanih uz udisanje prašine.
- Neznatno navlažite površine u prašnjavim uvjetima.
- Nemojte raditi s uređajem pored otvorenih prozora.
- Koristite produžetak mlaznice za jako puhanje kako bi mlaz zraka radio bliže tla.
- Nemojte usmjeravati mlaznicu puhalice u smjeru ljudi ili kućnih ljubimaca.
- Nikada ne postavljajte predmete unutar cijevi puhalice.

- Proizvod nemojte stavljati na gomilu rastresitih krhotina ili pokraj nje. Krhotine mogu biti usisane u ulazni otvor za ventilaciju dovodeći do mogućeg oštećenja jedinice.

DODATNA SIGURNOSNA UPOZORENJA ZA BATERIJU

Zbog izbjegavanja opasnosti od požara jednim kratkim spojem, opasnosti od ozljeda ili oštećenja proizvoda, alat, izmjenjivi akumulator ili napravu za punjenje ne uronjavati u tekućine i pobrinite se za to, da u uređaje ili akumulator ne prodiru nikakve tekućine. Korozirajuće ili vodljive tekućine kao slana voda, određene kemikalije i sredstva za bijeljenje ili proozvodi koji sadrže sredstva bijeljenja, mogu prouzročiti kratak spoj.

PRIJEVOZ I SKLADIŠTENJE

- Isključite proizvod, izvadite baterijski sklop i pustite ga da se ohladi prije skladištenja ili prevoženja.
- Očistite svaki strani materijal s uređaja. Skladištite ga na suhom i dobro ventiliranom mjestu koje nije pristupačno djeci. Držite proizvod podalje od korozivnih sredstva kao što su vrtno kemikalije i soli protiv zaleđivanja. Proizvod ne čuvajte na otvorenom.
- Za prijevoz, osigurajte uređaj protiv pomicanja ili pada kako biste spriječili povrede osoba ili oštećenja na uređaju.

TRANSPORTIRANJE LITIJUMSKIH BATERIJA

Transportirajte bateriju u skladu s lokalnim i nacionalnim pravima i zakonima.

Slijedite sve specijalne zahtjeve na pakiranju i naljepnicama prilikom transporta baterije od treće strane. Osigurajte da baterija ne može doći u kontakt s drugim baterijama ili provodnim materijalima tijekom transporta tako da zaštitite izložene priključke s izolacijom, kapticama koje ne provode energiju ili trakom. Nemojte transportirati baterije koje su polomljene ili cure. Provjerite kod kompanije koji transportirate za daljnju pomoć.

ODRŽAVANJE

Koristite samo originalne zamjenske dijelove, dodatni pribor i priključke od proizvođača. Nepoštivanje ovih uputa može dovesti do mogućih ozljeda, loše učinkovitosti i može dovesti do poništenja jamstva.

Servisiranje iziskuje krajnju pažnju i znanje i treba da ga vrši samo kvalificirani serviser. Neka se proizvod servisira samo u ovlaštenom servisnom centru.

- Često provjeravajte sve matice i zavrtnje da li su dobro pritegnuti kako biste bili sigurni da je proizvod u sigurnom radnom stanju. Svaki oštećeni dio trebao bi pravilno popraviti ili zamijeniti ovlašteni servisni centar.
- Za zamjenu oštećenih ili nečitljivih naljepnica vratite proizvod u ovlašteni servisni centar.
- Možete samo vršiti podešavanje ili popravke opisane u ovom manualu. Za ostale popravke ili savjete, potražite pomoć ovlaštenog servisnog centra.
- Nakon svakog korištenja proizvod obrišite sa suhom mekom krpom.

ČIŠĆENJE BLOKADA

- Kako biste smanjili rizik od ozljeda povezan s dodirivanjem pokretnih dijelova, uvijek isključite proizvod, izvadite baterijski sklop i provjerite jesu li se svi pokretni dijelovi potpuno zaustavili.
- Uklonite cijevi pihalice kako biste mogli pregledati je li se uređaj začepio. Po potrebi očistite cijevi.
- Prije pokretanja proizvoda ponovno montirajte sve cijevi pihalice.

UPOZNAJTE SVOJ PROIZVOD

Pogledajte stranicu 106.

1. Cijev pihalice
2. Sklopka za UKLJUČIVANJE/ ISKLJUČIVANJE
3. Ručka
4. Upute za uporabu
5. Baterija
6. Punjač

SIMBOLI NA PROIZVODU



Prije rada s proizvodom morate pročitati i razumjeti sve upute. Slijedite sva upozorenja i sigurnosne upute.



Čuvajte se odbačenih ili letećih predmeta. Sve nazočne osobe, a osobito djecu i kućne ljubimce, držite na udaljenosti od najmanje 15 m od radnog područja.



Rotirajući ventilatori. Držite ruke i stopala izvan otvora dok uređaj radi.



Nosite zaštitu za sluh



Nosite sredstva za zaštitu očiju



Ne izlažite kiši ili vlažnim uvjetima.



Europska oznaka sukladnosti



Britanska oznaka sukladnosti



EurAsian znak konformnosti



Ukrajinska oznaka sukladnosti



Jamčena razina zvučne snage



Otpadni električni proizvodi ne treba da se odlažu s otpadom iz domaćinstva. Molimo da recikirate gdje je to moguće. Potražite savjet od lokalnih vlasti ili prodavca kako reciklirati.

SIMBOLI U OVOM PRIRUČNIKU



Napomena



Upozorenje



Dijelovi ili pribor prodan odvojeno

Pri zasnovi tega brezžičnega pihalnika smo se prednostno osredotočali na varnost, učinkovitost in zanesljivost.

NAMEN UPORABE

Brezžični pihalnik je namenjen izključno uporabi na prostem v suhem in dobro osvetljenem okolju.

Izdelek ni namenjen za uporabo s strani otrok ali oseb z zmanjšanimi fizičnimi, duševnimi ali senzoričnimi zmožnostmi.

Izdelek je zasnovan za puhanje lahkega drobirja, na primer listja, trave in drugih vrtnih odpadkov.

Za druge namene ga ne uporabljajte.

SPLOŠNA VARNOSTNA OPOZORILA

⚠ OPOZORILO! Preberite vsa varnostna opozorila in navodila. Zaradi neupoštevanja opozoril in navodil lahko pride do električnega udara, požara in/ali resnih poškodb. Shranite vsa opozorila in navodila za kasnejšo uporabo.

⚠ OPOZORILO! Nikoli ne pustite, da bi izdelek uporabljali otroci ali osebe, ki niso seznanjene s temi navodili za uporabo. Lokalni predpisi se morda nanašajo tudi na minimalno starost upravitelja.

URJENJE

- Pazljivo preberite navodila. Seznanite se s krmilnimi elementi in pravilno uporabo izdelka.
- Pomnite, da je upravitelj oz. uporabnik odgovoren za nesreče ali nevarnosti, ki se pripetijo ostalim ljudem ali njihovi lastnini.
- Ne uporabljajte izdelka, če ste utrujeni, bolni ali pod vplivom drog, alkohola ali zdravil.

PRIPRAVA

- V nekaterih regijah predpisi omejujejo uporabo izdelka na določene namene. Za nasvet se obrnite na lokalne oblasti.
- Med celotnim upravljanjem izdelka vedno nosite popolno zaščito za ušesa. Izdelek je hrupen, zato lahko v primeru, da ne upoštevate dosledno previdnostnih ukrepov za omejitev izpostavljenosti in znižanju hrupa, povzroči trajno poškodbo sluha.
- Med celotnim upravljanjem tega izdelka vedno nosite popolno zaščito za oči. Nosite popolno obrazno maslo ali povsem zaprta varnostna očala. Navadna očala ali sončna

očala niso zadostna zaščita. Močan zračni vrtinec lahko kadarkoli zelo hitro vrže predmete, ki se lahko od trde površine odbijejo proti uporabniku.

- Med upravljanjem izdelka vedno nosite ustrezno obutev in dolge hlače. Naprave ne uporabljajte, če ste bos ali nosite odprte sandale. Ne nosite oblačil, ki so ohlapna ali z njih visijo trakovi.
- Ne nosite ohlapnih oblačil ali nakita, ki bi se lahko ujel v dovod zraka. Dolge lase si spnite nad rameni in tako preprečite njihovo ujetje v premikajoče se dele.
- Pred vsako uporabo zagotovite, da vse kontrole in varnostne naprave delujejo pravilno. Izdelka ne uporabljajte, če stikalo za izklop ne zaustavi motorja.
- Izdelek upravljajte v priporočenem položaju in samo na ravni, trdni podlagi.
- Naprave ne uporabljajte na tlakovani ali peščeni podlagi, kjer bi lahko naokoli leteč material povzročil poškodbe.
- Pred vsako uporabo vedno pregledajte, ali je ohišje morda poškodovano. Poskrbite, da bodo varovala in ročaji nameščeni in pravilno pritrjeni. Izrabljene ali poškodovane sestavne dele zamenjajte v kompletu in tako ohranite uravnoteženost naprave. Zamenjajte poškodovane ali neberljive oznake.
- Če so v bližini ljudje, še posebej otroci ali domače živali, naprave ne uporabljajte.
- Poskrbite, da bodo odprtine za zračenje čiste.
- Pred začetkom uporabe pihalnika material zrahljajte z grabljami in metlami.
- Pred vsako uporabo temeljito očistite območje obratovanja. Odstranite vse predmete, kot so skale, razlomljeno steklo, žebliji, žice ali dele vrvi, ki bi med delovanjem lahko odleteli.
- Daljša uporaba orodja lahko privede do poškodb ali pa so poškodbe lahko hujše. Kadar orodje uporabljate dalj časa, si večkrat vzemite odmor.

UPORABA IN VZDRŽEVANJE BATERIJSKEGA ORODJA

- Baterijo polnite le s polnilnikom, ki ga določa proizvajalec. Polnilnik, ki ustreza eni vrsti baterij, morda lahko povzroči požar, če z njim polnite drugo vrsto baterij.

- Baterijska orodja uporabljajte samo s predpisano vrsto baterij. Uporaba katerih koli drugih baterij ustvari tveganje poškodb in požara.
 - Ko baterije ne uporabljajte, pazite, da bo odmaknjena od kovinskih predmetov, kot so papirne sponke, kovanci, ključi, žebli, vijaki ali drugih majhni kovinski predmeti, ki bi lahko povzročili povezavo med obema terminaloma. Kratak stik zaradi povezanih terminalov baterije lahko povzroči opekline ali požar.
 - Ob zlorabi baterije lahko iz nje steče tekočina. Če se po nesreči dotaknete tekočine, mesto dotika sperite z vodo. Če pride tekočina v stik z očmi, poiščite zdravstveno pomoč. Tekočina, ki izteče iz baterije, lahko povzroči vnetje ali opekline.
 - Poškodovanega ali spremenjenega akumulatorja oziroma orodja ne uporabljajte. Poškodovani ali spremenjeni akumulatorji lahko delujejo na nepredvidljiv način, kar lahko povzroči požar, eksplozijo ali nevarnost telesne poškodbe.
 - Akumulatorja ali orodja ne izpostavljajte ognju ali previsokim temperaturam. Ob izpostavljenosti ognju ali temperaturam, višjim od 130 °C, lahko pride do eksplozije.
 - Dosledno upoštevajte navodila za polnjenje in akumulatorja oziroma orodja ne polnite izven temperaturnega razpona, predpisanega v navodilih. Ob nepravilnem polnjenju oziroma polnjenju pri temperaturah izven predpisanega razpona se lahko poškoduje akumulator in poveča nevarnost požara.
- Uporaba podobnih orodij v bližini poveča nevarnost za poškodbe sluha in nevarnost, da druge osebe vstopijo v vaše delovno območje.
 - Pri uporabi na pobočjih vedno pazite na ravnotežje. Vedno hodite, nikoli ne tecite.
 - Pazite na ravnotežje in ne pretiravajte. Nesiahajte priliš daleko. Pretiravanje lahko povzroči izgubo ravnotežja.
 - Naprave nikoli ne uporabljajte, če ima poškodovana vodila ali zaščitne ali brez nameščenih varnostnih naprav.
 - Za zmanjšanje nevarnosti poškodbe zaradi stika z vrtljivimi deli izdelek vedno izklopite in odstranite baterijski vložek. Prepričajte se, da so se vsi premikajoči se deli popolnoma zaustavili:
 - preden zapustite napravo
 - pred odstranjevanjem blokad
 - pred preverjanjem in čiščenjem izdelka ali delom na njem,
 - pred pregledom izdelka po udarcu ob predmet
 - če izdelek začne nenormalno vibrirati (preverite nemudoma).
 - V primeru nesreče ali okvare izdelek takoj izklopite in odstranite baterijski vložek. Kosilnice ne uporabljajte, dokler je v celoti ne pregledajo na pooblaščenem servisu.
 - Na noben način ne spreminjajte naprave ter ne uporabljajte delov in dodatkov, ki jih ne priporoča proizvajalec.
 - Če izdelek pade, močno trči ali začne nenormalno vibrirati, ga nemudoma zaustavite in preverite, ali je poškodovan oziroma poiščite vzrok vibriranja. Poškodbe morajo ustrezno popraviti ali zamenjati dele v pooblaščenem centru.

DELOVANJE

- Napravo uporabljajte le ob primernih urah – ne zgodaj zjutraj ali pozno zvečer, ko bi lahko koga motili.
- Naprave nikoli ne uporabljajte v eksplozivnem ozračju.
- Izogibajte se uporabi izdelka v slabih vremenskih pogojih, še posebej, če obstaja nevarnost strele.
- Prisotni, otroci in živali naj bodo vsaj 15 m oddaljeni od delovnega območja. Ugasnite izdelek, če kdo vstopi v območje.
- Pripomočka ne uporabljajte pri slabi osvetljavi. Upravljevec mora imeti jasen pregled nad delovnim območjem, da lahko prepozna morebitne nevarnosti.

VARNOSTNA OPOZORILA ZA PUHALNIK

- V okolju z veliko prahu uporabljajte obrazni filter, saj tako zmanjšate tveganje za poškodbe, ki bi nastale zaradi vdihavanja prahu.
- V prašnih pogojih površine nekoliko navlažite
- Naprave ne uporabljajte blizu odprtih oken.
- Uporabite podaljšek šobe puhalnika, tako da lahko zračni curek deluje zelo blizu tlom in je učinkovit.

- Šobe puhalnika ne usmerjajte proti ljudem ali živalim.
- V cevi puhalnika nikoli ne dajajte predmetov.
- Naprave ne odlagajte na odstranjene delce ali v njihovo bližino. Odpadke bi lahko povleklo v vhodno prezračevalno cev puhalnika, zaradi česar se enota lahko poškoduje.

DODATNA VARNOSTNA OPOZORILA ZA BATERIJO

V izogib, s kratkim stikom povzročene nevarnosti požara, poškodb ali okvar na proizvodu, orodja, izmenljivega akumulatorja ali polnilne naprave ne potaplajte v tekočine in poskrbite, da ne bo prihajalo do vdora tekočin v naprave in akumulatorje. Korozivne ali prevodne tekočine, kot so slana voda, določene kemikalije in belila ali proizvodi, ki le ta vsebujejo, lahko povzročijo kratek stik.

TRANSPORT IN SHRANJEVANJE

- Pred shranjevanjem ali transportom izdelka izdelek izklopite, odstranite baterijski vložek in počakajte, da se ohladi.
- Očistite vse tujke z izdelka. Shranite jo na suhem in dobro prezračenem mestu, ki ni na dosegu otrok. Shranjujte proč od korozivnih sredstev, kot so vrtno kemikalije in soli za topljenje ledu. Izdelka ne shranjujte na prostem.
- Za transport zavarujte izdelek pred premiki ali padci, da preprečite poškodbe oseb ali izdelka.

PRENAŠANJE LITIJEVIH BATERIJ

Baterije prevažajte v skladu z lokalnimi in državnimi uredbami in predpisi.

Upoštevajte vse posebne zahteve glede pakiranja in označevanja, kadar prevoz opravlja tretja oseba. Zagotovite, da baterije med prevozom ne morejo priti v stik z drugimi baterijami ali prevodnimi materiali tako, da zaščitite izpostavljene konektorje z izolacijo, neprevodnimi pokrovciki ali trakom. Ne prevažajte poškodovanih baterij oz. baterij, ki puščajo. Za nadaljnje informacije se obrnite na posredovalno podjetje.

VZDRŽEVANJE

Uporabljajte le originalne rezervne dele in dodatke, ki jih priporoča proizvajalec. V nasprotnem primeru naprava lahko deluje, povzroči poškodbe, garancija pa ne velja več.

Servisiranje zahteva posebno pozornost in znanje in naj jo zato opravlja samo izurjeni servisni tehnik. Izdelek naj servisirajo izključno v pooblaščenem servisnem centru.

- Pogosto preverjajte, ali so vse matice in vijaki dobro priviti in tako zagotovite varno delovno stanje izdelka. Vsak poškodovani del mora ustrezno popraviti ali zamenjati pooblaščen servisni center.
- Poškodovane ali nečitljive nalepke naj zamenjajo v pooblaščenem servisnem centru.
- Opravite lahko samo tukaj navedene prilagoditve ali popravila. Za druga popravila ali nasvete se posvetujte s pooblaščenim storitvenim centrom.
- Po vsaki uporabi izdelek očistite z mehko in suho krpo.

ODPRAVLJANJE BLOKAD

- Za zmanjšanje nevarnosti poškodb zaradi stika s premikajočimi se deli izdelek vedno izklopite, odstranite baterijski vložek in se prepričajte, da so se vsi premikajoči se deli povsem ustavili.
- Odstranite puhalne cevi in jih pregledjte zaradi morebitnih zamaškov. Po potrebi cevi očistite.
- Pred zagonom izdelka ponovno namestite cevi puhalnika.

SPOZNAJTE SVOJ IZDELEK

Glejte stran 106.

1. Cev puhalnika
2. Stikalo za vklop/izklop
3. Ročaj
4. Uporabniški priročnik
5. Akumulator
6. Polnilce

SIMBOLI NA IZDELKU



Pred uporabo izdelka preberite in razumite vsa navodila. Upoštevajte vsa opozorila in varnostna navodila.



Pazite na izvržene ali leteče predmete. Opazovalci, predvsem otroci in domače živali, morajo biti najmanj 15 m od območja uporabe.



Vrteči ventilator. Medtem ko je izdelek v teku, imejte roke in noge izven odprtih.



Nosite zaščito za ušesa



Nosite zaščito za oči



Ne izpostavljajte ga dežju ali vlagi.



Evropski znak skladnosti



Britanski znak skladnosti



EurAsian oznaka o skladnosti



Ukrajinski znak skladnosti



Zajamčena raven zvočne moči



Odpadne električne izdelke odlagajte skupaj z ostalimi gospodinjstvi odpadki. Reciklažo opravljajte na predpisanih mestih. Za reciklažni nasvet se obrnite na lokalne oblasti.

SIMBOLI V TEM PRIROČNIKU



Opomba



Opozorilo



Deli ali dodatki so na prodaj ločeno

Bezpečnosť, efektívnosť a spoľahlivosť boli prvoradé pri navrhovaní vášho akumulátorového fúkača.

ÚČEL POUŽITIA

Akumulátorový fúkač je určený len na vonkajšie použitie pri dobrom osvetlení a za suchého počasia.

Produkt nie je určený na použitie deťmi alebo osobami so zníženými fyzickými, duševnými alebo zmyslovými schopnosťami.

Tento výrobok je navrhnutý na fúkanie ľahkých úlomkov, ako je lístie, tráva a iný záhradný odpad.

Nepoužívajte na žiadne iné účely.

VŠEOBECNÉ BEZPEČNOSTNÉ VÝSTRAHY

⚠ VAROVANIE! Prečítajte si všetky bezpečnostné výstrahy a pokyny. Pri nedodržaní týchto výstrah a pokynov môže dôjsť k úrazu elektrickým prúdom, požiaru a/alebo závažnému poraneniu. Odložte všetky upozornenia a pokyny použitia v budúcnosti.

⚠ VAROVANIE! Nikdy nedovoľte používať produkt deťom ani osobám, ktoré nie sú oboznámené s týmto návodom. Miestne platné predpisy môžu obmedzovať dobu použitia kosačky.

ŠKOLENIE

- Pozorne si prečítajte pokyny. Oboznámte sa s ovládacími prvkami a správnu obsluhu produktu.
- Užívateľ alebo obsluha stroja sú zodpovední za nehody alebo škody na majetku a za nebezpečenstvo vzniknuté pri prevádzke stroja.
- Výrobok nepoužívajte, ak ste unavení, chorí alebo pod vplyvom drog, alkoholu či liekov.

PRÍPRAVA

- Niektoré regióny majú nariadenia, ktoré obmedzujú použitie produktu na určité operácie. Poradte sa s miestnym úradom.
- Pri práci s produktom neustále používajte ochranu sluchu. Výrobok je hlasný a ak sa nebudú striktné dodržiavať bezpečnostné opatrenia na obmedzenie vystavenia a redukovania hluku, môže spôsobiť trvalé poškodenie sluchu.

- Pri práci s produktom neustále používajte kompletnú ochranu zraku. Používajte celotvárovú masku na tvár alebo úplne uzavreté ochranné okuliare. Štandardné okuliare alebo slnečné okuliare nie sú primeranou ochranou. Siný prúd vzduchu môže kedykoľvek spôsobiť vymrštenie predmetov vysokou rýchlosťou a tieto sa môžu odraziť od pevných povrchov smerom k obsluhujúcemu.
- Pri práci s produktom vždy používajte pevnú obuv a dlhé nohavice. Nepoužívajte nástroj bosí alebo v otvorených sandáloch. Nenoste odev, ktorý je voľný alebo má voľne visiace šnúry či pútko.
- Nenoste voľný odev, ani šperky, ktoré by sa mohli vťahovať do prívodu vzduchu. Dlhé vlasy zaisťte, aby boli nad úrovňou pliec a nedošlo tak k ich zamotaniu do pohyblivých dielov.
- Pred každým použitím skontrolujte, či všetky ovládacie prvky a bezpečnostné zariadenia fungujú správne. Produkt nepoužívajte, ak hlavný spínač nevypína motor.
- S produktom pracujte v odporúčanej polohe a len na pevnom a rovnom povrchu.
- Nepracujte so strojom na dláždenom alebo štrkovom povrchu, kde by vyrážaný materiál mohol spôsobiť poranenie.
- Pred každým použitím vždy skontrolujte kryt, či nie je poškodený. Skontrolujte, či sú ochranné kryty a rukoväte na mieste a správne zaistené. Opatrebované alebo poškodené komponenty vymieňajte v súpravách, aby sa zachovalo vyváženie. Poškodené alebo nečitateľné štítky vymeňte.
- Keď sa v blízkosti nachádzajú iné osoby, najmä deti alebo domáce zvieratá, nepoužívajte nástroj.
- Zo všetkých otvorov na chladiaci vzduch odstraňujte úlomky.
- Pred fúkaním uvoľnite záhradný odpad pomocou hrabli a metly.
- Pred každým použitím vyčistite pracovisko. Odstráňte všetky objekty ako kamene, rozbité sklo, klince, drôty alebo pružiny, ktoré by sa mohli vymrštiť do značnej vzdialenosti následkom vysokej rýchlosti vzduchu.
- Pri dlhodobom alebo zvýšenom používaní môže dôjsť k zraneniam. Pri používaní nástroja príliš dlhé obdobia si vždy doprajte pravidelné prestávky.

POUŽÍVANIE AKUMULÁTORA A STAROSTLIVOSŤ OŇ

- Nabíjajte len s použitím nabíjačky špecifikovanej výrobcom. Nabíjačka, ktorá je vhodná pre jeden typ jednotky akumulátora, môže pri použití s inou jednotkou akumulátora spôsobiť riziko požiaru.
 - Používajte len mechanické nástroje so špecificky určenými jednotkami akumulátorov. Pri použití iných jednotiek akumulátora vzniká riziko poranenia a požiaru.
 - Keď sa jednotka akumulátora nepoužíva, nedávajte ju do blízkosti iných kovových objektov, ako sú papierové sponky, mince, kľúče, kince, skrutky či iné malé kovové predmety, ktoré by mohli skratovať svorky. Pri skratovaní svoriek akumulátora môže dôjsť k popáleninám alebo požiaru.
 - Za nevhodných podmienok, keď by z batérie vytekala kvapalina, predchádzajte kontaktu s ňou. Pri náhodnom kontakte opláchnite vodou. Ak tekutina zasiahne oči, dodatočne vyhľadajte lekársku pomoc. Tekutina vytečená z akumulátora môže spôsobiť podráždenie alebo popáleniny.
 - Poškodenú alebo upravenú súpravu batérií alebo náradie nepoužívajte. Poškodené alebo upravené batérie môžu vykazovať nepredvídateľné správanie s následkom požiaru, výbuchu alebo poranenia.
 - Súpravu batérií ani náradie nevystavujte účinkom ohňa ani nadmerných teplôt. Vystavenie účinkom ohňa alebo nadmernej teploty nad 130 °C môže spôsobiť výbuch.
 - Dodržiavajte všetky pokyny na nabíjanie a súpravu batérií ani náradie nenabíjajte mimo rozsahu teplôt, ktorý je uvedený v pokynoch. Nesprávne nabíjanie alebo nabíjanie pri teplotách mimo uvedeného rozsahu môže poškodiť batériu a zvýšiť riziko vzniku požiaru.
- ### PREVÁDZKA
- So zariadením pracujte len v rozumných hodinách – nie skoro ráno alebo neskoro večer, kedy by to mohlo rušiť ostatných ľudí.
 - Nikdy nepracujte so zariadením vo výbušnej atmosfére.
 - Nepoužívajte produkt v zlom počasí, najmä ak existuje riziko vzniku bleskov.
 - Okolostojace osoby, deti a domáce zvieratá, musia stáť min. 15 m od pracovného priestoru. Ak nejaká osoba vstúpi do pracovného priestoru, zastavte produkt.
 - Nepoužívajte výrobok pri slabom osvetlení. Obsluhujúci musí mať jasný výhľad na pracovný priestor, aby mohol identifikovať potenciálne nebezpečenstvo.
 - Pri používaní podobných nástrojov v blízkosti sa zvyšuje riziko poranenia sluchu a potenciál pre ostatné osoby, ktoré vstúpia do pracovného priestoru.
 - Na svahoch vždy dbajte na pevnú oporu nôh. Choďte krokom, nikdy nebežte.
 - Udržujte bezpečný postoj a rovnováhu. Nepreceňujte sa. Preceňovanie sa môže spôsobiť stratu rovnováhy.
 - Nikdy nepracujte so zariadením, ktoré má poškodené ochranné vodidlá alebo kryty alebo nemá nasadené bezpečnostné zariadenia.
 - Aby ste znížili riziko poranenia spojeného s kontaktom s rotujúcimi dielmi, výrobok vždy vypnite a vyberte z neho súpravu batérií. Skontrolujte, či sa všetky pohyblivé diely úplne zastavili:
 - pred ponechaním výrobku bez dozoru
 - pred odstránením zablokovaní
 - pred kontrolou, čistením alebo prácou na zariadení
 - pred kontrolou výrobku po narazení na cudzí predmet
 - ak zariadenie začne neštandardne vibrovať (ihneď skontrolujte).
 - V prípade nehody alebo poškodenia okamžite výrobok vypnite a vyberte z neho súpravu batérií. Nepoužívajte výrobok znovu, pokiaľ nebude úplne skontrolovaný autorizovaným servisným strediskom.
 - Zariadenie žiadnym spôsobom neupravujte ani nepoužívajte diely či príslušenstvo, ktoré neodporúča výrobca.
 - Ak produkt spadne, utrpí silný náraz alebo začne neštandardne vibrovať, okamžite ho zastavte s skontrolujte, či nedošlo k poškodeniu alebo zistíte príčinu vibrácií. Akékoľvek poškodenie musí byť náležite opravené alebo vymenené v autorizovanom stredisku.

BEZPEČNOSTNÉ VÝSTRAHY PRE DÚCHADLO

- Noste ochrannú tvárovú masku v prašných podmienkach, aby ste znížili riziko zranenia spojené s vdýchnutím prachu.
- V prašnom prostredí mierne navlhčite povrchy.
- Nepoužívajte zariadenie v blízkosti otvorených okien.
- Použite nástavec so širokou dýzou dýchadla, aby prúd vzduchu mohol zaberat' v blízkosti zeme.
- Nesmerujte trysku dýchadla smerom na ľudí alebo zvieratá.
- Do rúrok dýchadla nikdy nevkladajte žiadne predmety.
- Nedávajte výrobok navrch alebo blízko uvoľneného odpadu. Do nasávacieho otvoru sa môže vsať sutina, čo by pravdepodobne spôsobilo poškodenie zariadenia.

DOPLNKOVÉ BEZPEČNOSTNÉ VÝSTRAHY PRE BATÉRIU

Aby ste zabránili nebezpečenstvu požiaru spôsobeného skratom, poraneniam alebo poškodeniam výrobku, neponárajte náradie, výmennú batériu alebo nabíjačku do kvapalín a postarajte sa o to, aby do zariadení a akumulátorov nevnikli žiadne tekutiny. Korodujúce alebo vodivé kvapaliny, ako je slaná voda, určité chemikálie a bieliace prostriedky alebo výrobky, ktoré obsahujú bielidlo, môžu spôsobiť skrat.

PREPRAVA A SKLADOVANIE

- Pred uskladnením alebo dopravou výrobok vypnite, vyberte z neho súpravu batérií a nechajte ho vychladnúť.
- Odstráňte zo zariadenia všetky cudzie materiály. Odložte ho na suché a dobre vetrané miesto, na ktoré nemajú prístup deti. Nedávajte zariadenie do blízkosti koróznych činidiel, ako sú záhradné chemikálie a rozmrazovacie soli. Výrobok neuchovávajte vonku.
- Pri preprave zaistíte produkt pred pohybom alebo pádom, aby nedošlo k poraneniu osôb alebo poškodeniu produktu.

PREPRAVA LÍTIOVÝCH AKUMULÁTOROV

Akumulátory prepravujte v súlade s miestnymi smernicami a nariadeniami.

Keď akumulátory prepravuje tretia strana, dodržiavajte všetky požiadavky na balení a označení. Zabezpečte, aby počas prepravy akumulátory neprišli do kontaktu s inými akumulátormi ani vodivými materiálmi – chráňte obnažené konektory pomocou izolácie, nevodivými viečkami alebo páskou. Neprepravujte akumulátory, ktoré sú prasknuté alebo vytekajú. Ďalšie pokyny zistíte u nasledujúcej spoločnosti.

ÚDRŽBA

Používajte len originálne náhradné diely, príslušenstvo a nástavce výrobcu. V opačnom prípade môže dôjsť k možnému poraneniu, nedostatočnému výkonu a strate platnosti záruky.

Údržba vyžaduje extrémnu starostlivosť a znalosti, a musí byť prevádzkaná výhradne v autorizovanom servise. Servis výrobku zverte len autorizovanému servisnému stredisku.

- Skontrolujte všetky skrutky, matice v častých intervaloch či sú riadne utiahnuté, aby sa zaistila bezpečná prevádzka produktu. Akýkoľvek poškodený diel sa musí náležite opraviť alebo vymeniť v autorizovanom servisnom centre.
- Prineste produkt to autorizovaného servisného centra na výmenu poškodených alebo nečitateľných štítkov.
- Môžete vykonávať len úpravy alebo opravy popísané v tejto príručke. Pri ostatných opravách alebo ak potrebujete radu, vyhľadajte pomoc v autorizovanom servisnom centre.
- Po každom použití vyčistite produkt mäkkou suchou tkaninou.

ODSTRÁNENIE UPCHATIA

- Aby ste znížili riziko poranenia spojené s kontaktom s pohyblivými časťami, vždy výrobok vypnite, vyberte z neho akumulátor a skontrolujte, že sa všetky pohyblivé časti úplne zastavili.
- Zložte trubice fúkača, aby ste mohli skontrolovať, či nie je zablokovaný. V prípade potreby vyčistite trubice.
- Pred spustením výrobku nainštalujte rúry fúkača.

OBOZNÁMTE SA S VAŠIM PRODUKTOM

Pozrite stranu 106.

1. Fúkacia trubica
2. Spínač na zapnutie/vypnutie
3. Rúčka
4. Návod na obsluhu
5. Batéria
6. Nabíjačka

SYMBOLY NA PRODUKTE

Pred používaním výrobku si prečítajte a pochopte všetky pokyny. Dodržujte všetky výstrahy a bezpečnostné pokyny.



Pozor na vymrštené alebo odletujúce objekty. Zabezpečte, aby všetci okolostojaci, hlavne deti a zvieratá, boli aspoň 15 m od plochy používania výrobku.



Rotujúce ventilátory. Nedávajte ruky ani nohy do otvorov, keď je produkt spustený.



Používajte chrániče sluchu



Používajte chrániče zraku



Nevystavujte dažďu ani nepoužívajte vo vlhkom prostredí.



Európske označenie zhody



Britské označenie zhody



Euroázijská značka zhody



Ukrajinské označenie zhody



Garantovaná úroveň hluku



Opotrebované elektrické zariadenia by ste nemali odhadzovať do domového odpadu. Prosíme o recykláciu ak je možné. Kontaktujte miestne úrady, alebo predajcu pre viac informácií ohľadom ekologického spracovania.

SYMBOLY V TOMTO NÁVODE

Poznámka



Varovanie



Diely alebo príslušenstvo predávané samostatne

Безопасността, производителността и надеждността са аспектите, на които е отделен най-голям приоритет при проектирането на вашия безжичен уред за обдухване.

ПРЕДНАЗНАЧЕНИЕ

Безжичният уред обдухване е предназначен за използване на открито и при сухи условия с добра осветеност.

Продуктът не е предназначен за използване от деца или от лица с намалени физически, сетивни или умствени способности.

Продуктът е предназначен за издухване на леки отпадъци, като например листа, трева и други градински отпадъци.

Не го използвайте за никакви други цели.

ОБЩИ ПРЕДУПРЕЖДЕНИЯ ЗА БЕЗОПАСНОСТ

⚠ ПРЕДУПРЕЖДЕНИЕ! Прочетете всички предупреждения относно безопасността и всички инструкции. Неспазването на предупрежденията и инструкциите може да доведе до токов удар, пожар и/или сериозни наранявания. Съхранявайте всички предупреждения и инструкции за бъдещи справки.

⚠ ПРЕДУПРЕЖДЕНИЕ! Никога не позволявайте продуктът да бъде използван от деца или от лица, незапознати с настоящите инструкции. Местните наредби могат да налагат ограничения за възрастта на оператора.

ОБУЧЕНИЕ

- Прочете инструкциите внимателно. Запознайте се с контролите за управление и правилното използване на продукта.
- Трябва да знаете, че операторът или потребителят е отговорен за причиняването на злополуки или щети на други лица или имущество.
- Не използвайте продукта, ако сте уморени, болни или под влиянието на алкохол, наркотици или лекарства.

ПОДГОТОВКА

- В някои региони има разпоредби, ограничаващи използването на продукта до определени операции. За съвети се обръщайте към местните власти.

- При работа с продукта винаги носете защитни средства за слуха. Продуктът е шумен и ако не спазвате стриктно предпазните мерки за ограничаване на експозицията и за намаляване на шума, това може да доведе до постоянно увреждане на слуха.

- При работа с продукта винаги носете всички необходими защитни средства за очите. Носете маска за цяло лице или напълно затворени предпазни очила. Обикновените или слънчевите очила не представляват надеждна защита. Мощната въздушна струя може да предизвика отхвърчането на предмети с висока скорост, като те могат да рикошират от твърди повърхности към оператора.

- Когато използвате продукта, винаги носете здрави затворени обувки и дълъг панталон. Не използвайте инструмента, ако сте боси или носите отворени сандали. Избягвайте носенето на широки дрехи или дрехи с висящи шнурове или вратовръзки.

- Не носете широки дрехи или украшения, които могат да бъдат захванати във входящия вентилационен отвор. Дългата коса трябва да бъде прибрана на ниво над раменете, за да се избегне нейното заплитане в движещите се части.

- Преди всяка употреба проверявайте дали всички контроли и устройства за безопасност функционират правилно. Не използвайте продукта, ако превключвателят "OFF" ("Изключване") не спира мотора.

- Заемайте правилна позиция при работа с продукта и винаги го поставяйте върху стабилна и равна повърхност.

- Не използвайте тази машина на павирана или чакълеста повърхност, където изхвърлен материал може да причини нараняване.

- Преди използване винаги проверявайте корпуса за повреди. Уверете се, че предпазителите и ръкохватките са поставени на мястото им и са надеждно затегнати. Заменете износените или повредените компоненти заедно, за да запазите баланса. Заменете повредените или нечетими етикети.

- Никога не използвайте инструмента, докато наблизко има хора, особено деца или домашни любимци.

- Дръжте всички охлаждащи вентилационни отвори чисти от отпадъци.
- Разрежете отпадъците с помощта на гребло и метла преди обдухване.
- Винаги почиствайте работното пространство, преди да използвате уреда. Премахвайте всички предмети като камъни, счупени стъкла, пирони, жици или телове, които могат да отхвъркнат на значително разстояние от силната въздушна струя.
- Продължителното използване на инструмента може да доведе до наранявания или влошаване. При използване на инструмента за продължителни периоди от време правете чести почивки.
- Не излагайте акумулаторната батерия или инструмент на огън или прекалено висока температура. Излагането на огън или на температура над 130°C може да причини взрив.
- Следвайте всички инструкции за зареждане и не зареждайте акумулаторната батерия или инструмента извън температурния диапазон, посочен в инструкциите. Неправилното зареждане или зареждането при температури извън посочения диапазон може да повреди батерията и да увеличи риска от пожар.

РАБОТА

ИЗПОЛЗВАНЕ И ОБСЛУЖВАНЕ НА ИНСТРУМЕНТА С БАТЕРИЯ

- Презареждайте единствено със зарядното устройство, посочено от производителя. Зарядно устройство, подходящо за зареждане на един вид батерии, може да предизвика риск от пожар, ако бъде използвано за други батерии.
- Използвайте електрически инструменти с батерии единствено със специално предназначения за тях батерии. Използването на всякакви други батерии може да създаде риск от нараняване и пожар.
- Когато батерията не се използва, съхранявайте я далеч от други метални обекти, като например кламери, монети, ключове, гвоздеи, гайки или други малки метални обекти, които могат да направят връзка между клемите. Късото съединение от клемите може да доведе до изгаряния или пожар.
- При неправилно използване батерията може да отдели течност; избягвайте контакт. Ако случайно настъпи контакт, промийте с вода. Ако течността влезе в контакт с очите, потърсете незабавно медицинска помощ. Отделената от батерията течност може да причини възпаление или изгаряния.
- Не използвайте акумулаторна батерия или инструмент, които са повредени или променени по някакъв начин. Повредените или променени батерии могат да работят по непредсказуем начин, което да доведе до пожар, взрив или опасност от наранявания.
- Работете с машината само в подходящо за това време - извън ранните сутрешни и късните вечерни часове, когато е възможно да пречите на други хора.
- Никога не работете с уреда в експлозивна среда.
- Избягвайте да използвате продукта при лоши метеорологични условия, особено ако има риск от мълнии.
- Дръжте всички странични наблюдатели, деца и домашни животни на разстояние поне 15 метра от работната зона. Спрете продукта, ако някой навлезе в работната зона.
- Не използвайте уреда при слабо осветление. Операторът трябва да има чиста видимост върху работното пространство, за да идентифицира потенциални опасности.
- Ако наблизко се работи с подобни уреди, това увеличава както риска от увреждане на слуха, така и вероятността други хора да навлязат във вашето работно пространство.
- Винаги стъпвайте внимателно и стабилно на стръмни повърхности. Вървете, никога не тичайте, когато косите.
- Заемайте стабилна позиция и пазете баланс. Не се протягайте, за да работите на трудно достижими места. Протягането може да доведе до загуба на равновесие.
- Никога не ползвайте уреда с повредени защити или странични екрани или без монтирани защитни устройства.
- За да се намали рискът от нараняване, свързан с контактуване с въртящи се части, винаги изключвайте продукта и изваждайте акумулаторната батерия. Уверете се, че всички движещи се части са спрели напълно:

- преди оставяне на изделия без надзор
 - преди почистване на запущвания
 - преди проверка, почистване или работа по уреда
 - преди проверка на продукта след удар с чуждо тяло
 - ако уредът започне да вибрира неестествено (проверете незабавно).
- В случай на неизправност или повреда изключете и свалете акумулаторната батерия. Не работете с продукта отново, докато той не премине щателна проверка в оторизиран сервизен център.
 - Не модифицирайте машината по никакъв начин и не използвайте части и принадлежности, които не са препоръчани от производителя.
 - Ако продуктът бъде изпуснат, претърпи силен удар или започне да вибрира неестествено, незабавно изключете продукта и проверете за повреди или се опитайте да идентифицирате причината за вибрирането. Всяка повредена част трябва надлежно да се ремонтира или смени от оторизиран сервизен център.

ПРЕДУПРЕЖДЕНИЯ ЗА БЕЗОПАСНОСТ В РЕЖИМ НА ОБДУХВАНЕ

- При работа в прашни условия носете филтърна маска, за да се намали опасността от заболявания на дихателните пътища в следствие на вдишването на прах.
- Навлажнявайте леко повърхностите при работа в прашни условия.
- Не работете с машината в близост до отворени прозорци.
- Използвайте пълната дължина на приставката за обдухване, за да може въздушният поток да преминава близо до земята и да обдухва ефективно.
- Не насочвайте дюзата за обдухване срещу хора или животни.
- Никога не поставяйте предмети вътре в обдухващите тръби.
- Не оставяйте продукта върху или близо до хлабави отломки. Възможно е входящият вентилационен отвор да засмуче отпадъците и те да повредят машината.

ДОПЪЛНИТЕЛНИ ПРЕДУПРЕЖДЕНИЯ ЗА БЕЗОПАСНОСТ ЗА БАТЕРИЯТА

За да избегнете опасността от пожар, предизвикана от късо съединение, както и нараняванията и повредите на продукта, не потапяйте инструмента, сменяемата акумулаторна батерия или зарядното устройство в течности и се погрижете в уредите и акумулаторните батерии да не попадат течности. Течностите, предизвикващи корозия или провеждащи електричество, като солена вода, определени химикали, избелващи вещества или продукти, съдържащи избелващи вещества, могат да предизвикат късо съединение.

ТРАНСПОРТИРАНЕ И СЪХРАНЕНИЕ

- Изключете продукта, извадете акумулаторната батерия и го изчакайте да се охлади, преди да го приберете за съхранение или да го транспортирате.
- Почистете продукта от всички чужди частици. Съхранявайте я на хладно, сухо и добре проветрявано място, което е недостъпно за деца. Дръжте продукта далече от разяждащи вещества, като например градински химикали и размразяващи соли. Не съхранявайте продукта на открито.
- Когато транспортирате продукта, го обезопасете така, че да не може да се движи или да падне, защото това може да доведе до евентуални наранявания на хора или повреди по продукта.

ТРАНСПОРТИРАНЕ НА ЛИТиеВИ БАТЕРИИ

Транспортирайте батериите в съответствие с местните и национални постановления и разпоредби.

Спазвайте всички специални изисквания за пакетиране и етикетирание, когато транспортирате батерии чрез трето лице. Уверете се, че батериите не влизат в контакт с други батерии или проводими материали по време на транспортиране, като предпазете откритите конектори с изолация, непроводими капачета или лента. Не транспортирайте батерии, които са спукани или текат. Свържете се със следната компания за допълнителен съвет.

ПОДДРЪЖКА

Използвайте само оригинални резервни части, аксесоари и приставки от производителя. В противен случай може да

се влоши работата на инструмента или да получите тежки контузии, а гаранцията ви ще стане невалидна.

Сервизното обслужване изисква изключително внимание и специфични познания и следва да бъде извършвано само от квалифициран техник. Продуктът трябва да бъде ремонтиран само в упълномощен сервиз.

- Периодично проверявайте дали всички гайки, болтове и винтове са правилно затегнати, за да сте сигурни, че продуктът е в изправност. Всяка повредена част трябва да бъде поправена или заменена от упълномощен сервизен център.
- Занесете продукта в оторизиран сервизен център, ако е необходима замяна на повредени или нечетливи етикети.
- Можете да правите само такива настройки и поправки, които са описани в настоящото ръководство. За други поправки или съвети потърсете съдействие от оторизиран сервизен център.
- Всеки път след употреба почиствайте продукта с мека и суха кърпа.

ИЗЧИСТВАНЕ НА ЗАПУШВАНЕ

- За да намалите риска от наранявания, причинени от контакт с движещи се части, винаги изключвайте продукта и се уверете, че всички движещи се части са спрели напълно.
- Свалете тръбите за обдухване, за да проверите за запушване. Отпушете тръбите, ако е необходимо.
- Преди да стартирате уреда, монтирайте отново тръбите за обдухване.

ОПОЗНАЙТЕ ВАШИЯ ПРОДУКТ

Вж. страница 106.

1. Обдухваща тръба
2. Превключвател ПУСКАНЕ/СПИРАНЕ
3. Ръкохватка
4. Ръководство за оператора
5. Батерия
6. Зарядно устройство

СИМВОЛИ НА ПРОДУКТА



Прочетете и разберете всички инструкции, преди да използвате продукта. Следвайте всички предупреждения и инструкции за безопасност.



Внимавайте за изхвърлени или летящи обекти. Близкостоящите, особено деца и домашни любимци, трябва да стоят поне на 15 m от зоната на работа.



Въртящи се перки. Дръжте крайниците си далече от отворите, докато продуктът работи.



Носете антифони



Носете защитни средства за очи



Не излагайте на дъжд и на влажни условия.



Знак за съответствие с европейските изисквания



Знак за съответствие с изискванията на Обединеното кралство



EurAsian знак за съответствие



Знак за съответствие с изискванията на Украйна



Гарантирано ниво на шум



Електрическите уреди не трябва да се изхвърлят заедно с битовите отпадъци. Рециклирайте, където има възможност. Обърнете се за съвет по рециклирането към местните власти или разпространителите.

СИМВОЛИ В НАСТОЯЩОТО РЪКОВОДСТВО



Забележка



Предупреждение



Частите или принадлежностите се продават отделно

Головними міркуваннями при розробці цієї бездротової повітродувки були безпека, ефективність та надійність.

ПЕРЕДБАЧУВАНОМУ ВИКОРИСТАННІ

Бездротова повітродувка призначена для використання виключно на відкритому повітрі в умовах сухості та належного освітлення.

Продукт не призначений для використання дітьми або особами з обмеженими фізичними, розумовими або сенсорними можливостями.

Цей виріб призначений для здування легких матеріалів, зокрема листя, трави та іншого садового сміття.

Не використовуйте для будь-яких інших цілей.

ЗАГАЛЬНІ ЗАХОДИ БЕЗПЕКИ

⚠ Попередження! Прочитайте всі правила безпеки та інструкції. Недотримання попереджень та інструкцій може призвести до ураження електричним струмом, пожежі та / або серйозної травми. Збережіть всі інструкції і вказівки для майбутнього використання.

⚠ Попередження! Ніколи не дозволяйте дітям або людям, не знайомим з цими інструкціями, використовувати продукт. Місцеве законодавство може обмежувати вік оператора.

ПІДГОТОВКА

- Уважно прочитайте інструкцію. Добре ознайомтеся з органами управління та правильним використанням машини.
- Майте на увазі, що оператор або користувач несе відповідальність за нещасні випадки або пошкодження спричинені іншим особам або їх майну.
- Не працюйте з виробом, коли ви втомлені або знаходитесь під дією наркотиків, алкоголю або медикаментів.

ПІДГОТОВКА

- У деяких регіонах існують правила, що обмежують використання продукту для деяких операцій. Перевірте з вашим місцевим органом влади для консультації

- Носіть захист органів слуху у весь час, працюючи з продуктом. Рівень шуму при роботі виробу високий, і це може призвести до необоротного пошкодження слуху, якщо не вжити відповідних заходів зі зниження впливу та зменшення шуму.
- Носіть захист для очей увесь час під час роботи з продуктом. Надягайте маску, яка закриває обличчя повністю, або захисний щиток. Нормальні окуляри або сонцезахисні окуляри не є адекватним захистом. Об'єкти можуть бути кинуті на високій швидкості потужним струменем повітря в будь-який час і можуть відскочити від жорстких поверхонь до оператора.
- Під час роботи з продуктом, завжди носіть міцне взуття і довгі штани. Не експлуатуйте машину босоніж або у відкритих сандалях. Уникайте носити вільний одяг, або з висячними шнурками або зав'язками.
- Не одягайте вільний одяг або ювелірні прикраси, які можуть бути втягнуті у повітроприймальний отвір. Зафіксуйте довге волосся вище рівня плеча, щоб запобігти заплутуванню в будь-яких рухомих частинах.
- Перед кожним використанням переконайтеся, що всі елементи управління і безпеки функціонують правильно. Не використовуйте машину, якщо вимикач "ВИМК" не зупиняє машину.
- Використовуйте продукт в рекомендованій позиції, і тільки на твердій, рівній поверхні.
- Не працюйте з виробом на асфальтованому або гравійному покритті, де викинутий матеріал може привести до травми.
- Перед кожним використанням завжди перевіряйте корпус на наявність пошкоджень. Переконайтеся, що захисти і ручки на місці і надійно закріплені. Замініть зношені або пошкоджені компоненти, для збереження балансу. Замініть пошкоджені або нечитабельні етикетки.
- Ніколи не використовуйте продукт, коли люди, особливо діти, або домашні тварини знаходяться неподалік.
- Тримайте всі повітрозабірники охолодження вільними від сміття.

- Перш ніж використовувати повітродувку, зменшіть обсяг сміття за допомогою граблів та мітли.
- Очистіть робочу зону перед кожним використанням. Видаліть всі предмети, такі як камені, розбите скло, цвяхи, дроти або мотузки, які можуть бути відкинуті на значну відстань потужним струменем повітря.
- Тривале використання інструменту може призвести до травмування або загострення існуючої травми. При використанні приладу протягом тривалого періоду часу, часті перерви.
- Дотримуйтесь усіх інструкцій щодо заряджання пристрою та уникайте заряджання поза діапазоном температур, що позначені у інструкції. Неправильне заряджання або заряджання при температурі, поза межами позначеними в інструкції, може пошкодити акумулятор та підвищити ризик виникнення пожежі.

ФУНКЦІОНУВАННЯ

ВИКОРИСТАННЯ І ДОГЛЯД ІНСТРУМЕНТУ НА БАТАРЕЙКАХ

- Перезаряджати тільки за допомогою зарядного пристрою, зазначеного виробником. Зарядний пристрій, що підходить для одного типу акумуляторів, може створити ризик загоряння при використанні з іншим акумуляторним блоком.
- Використовуйте електроінструменти тільки з призначеними для них акумуляторами. Використання будь-яких інших акумуляторів, може створити ризик отримання травми і пожежі.
- Коли акумуляторна батарея не використовується, тримайте її подалі від металевих предметів, таких як кліпси, монети, ключі, цвяхи, гвинти або інші невеликі металеві предмети, які можуть замкнути клемами. Коротке замикання контактів акумулятора може призвести до опіків або пожежі.
- У важких умовах експлуатації, рідина може бути випущена з батареї; уникайте контакту. При випадковому контакті змийте водою. Якщо рідина потрапила в очі, зверніться за медичною допомогою. Рідина з акумулятора може викликати роздратування або опіки.
- Заборонено використовувати акумулятор або пристрій, що були пошкоджені або модифіковані. Використання пошкоджених або модифікованих акумуляторів може мати непередбачувані наслідки, серед яких: виникнення пожежі, вибуху та ризик травмування.
- Уникайте загоряння та високої температури акумулятору або пристрою. Загоряння або висока температура понад 130°C можуть стати причиною вибуху.
- Використовуйте продукт тільки в розумній години - не рано вранці або пізно вночі, коли люди можуть бути стривожені.
- Не використовуйте виріб у вибухонебезпечній атмосфері.
- Уникайте використання продукту в поганих погодних умовах, особливо, коли є ризик удару блискавки.
- Тримайте перехожих, дітей і домашніх тварин на відстані 15м від місця експлуатації. Якщо будь-хто входить у зону роботи машини, зупиніть її.
- Не використовуйте при поганому освітленні. Оператор потрібне чіткий огляд робочої області, щоб визначити потенційні небезпеки.
- Операції з аналогічними інструментами неподалік збільшує ризик травми слуху і можливість потраплення інших осіб у робочу зону.
- Завжди будьте впевнені в опорі на схилах. Ходіть, ніколи не бігайте.
- Тримайте міцну опору і рывновагу. Не тягніться. Намагання дотягнутися можуть призвести до втрати рівноваги.
- Ніколи не використовуйте пристрій з пошкодженими захисними кожухами, щитками або без запобіжних пристроїв.
- Завжди вимикайте пристрій та виймайте акумулятор, щоб знизити ризик травмування рухомими частинами пристрою. Переконайтеся, що всі рухомі частини зупинилися.
 - до того, як залишити продукт без нагляду
 - перед очищенням закупорення
 - перед перевіркою, чищенням, або роботі на продукті
 - перш ніж обстежувати виріб після зіткнення з перешкодою
 - Якщо пристрій вібує надто сильно (негайно перевірте).

- У разі нещасного випадку або пошкодження, негайно вимкніть пристрій та від'єднайте акумуляторну батарею. Не використовуйте прилад знову до проведення його повної перевірки в авторизованому сервісному центрі.
- Не змінюйте продукт в будь-яким чином або не використовуйте деталі та аксесуари, які не рекомендовані виробником.
- Якщо продукт впав, постраждав від важкого впливу або починає вібрувати, негайно зупиніть обладнання та перевірте на наявність пошкоджень або визначте причину вібрації. У разі будь-яких пошкоджень ремонт або заміна проводяться в авторизованому сервісному центрі.

ТЕХНІКА БЕЗПЕКИ ПРИ РОБОТІ З ПОВІТРОДУВКОЮ

- Носіть фільтруючу маску для обличчя в запилених умовах, щоб знизити ризик травми, пов'язаної з вдиханням пилу.
- Злегка змочіть поверхню в запилених умовах.
- Не використовуйте виріб поблизу відкритих вікон.
- Використовуйте повне розширення сопла воздуходувки так, щоб потік повітря міг працювати близько до землі і ефективно.
- Не спрямовуйте сопло повітродувки в напрямку людей або домашніх тварин.
- Ніколи не вставляйте предмети всередину труб повітродувки.
- Не розміщуйте пристрій на або поряд з сипучим сміттям. Сміття може всмоктатися в повітрозабірник, в результаті чого можливе пошкодження виробу.

ДОДАТКОВІ ПОПЕРЕДЖЕННЯ З ТЕХНІКИ БЕЗПЕКИ ЩОДО ВИКОРИСТАННЯ АКУМУЛЯТОРІВ

Для запобігання небезпеці пожежі в результаті короткого замикання, травмам і пошкодженню виробів не занурюйте інструмент, змінний акумулятор або зарядний пристрій у рідину і не допускайте потрапляння рідини всередину пристроїв або акумуляторів. Корозійні і струмопровідні рідини, такі як солоний розчин, певні хімікати, вибілювальні засоби або продукти, що їх містять, можуть призвести до короткого замикання.

ТРАНСПОРТУВАННЯ ТА ЗБЕРІГАННЯ

- Перед зберіганням або чищенням вимкніть пристрій, вийміть акумулятор та дайте пристрою охолонути.
- Почистіть всі сторонні матеріали з продукту. Зберігайте продукт в прохолодному, сухому і добре провітрюваному місці, недоступному для дітей. Зберігати подалі від агресивних агентів, таких як садові хімікати і солей проти обледеніння. Не зберігайте пристрій на відкритому повітрі.
- Для транспортування, забезпечіть машину від руху або падіння, щоб запобігти травми людей або пошкодження машини.

ПЕРЕВЕЗЕННЯ ЛІТІЄВИХ БАТАРЕЙ

Здійсніть транспортування акумуляторної батареї відповідно до місцевих та загальнодержавних норм і правил.

Дотримуйтеся всі спеціальні вимоги до упаковки і маркування при транспортуванні батареї третьою стороною. Переконайтеся, що під час транспортування акумулятор не вступає в контакт з іншими акумуляторними батареями або струмопровідними матеріалами та захистіть відкриті роз'єми ізоляційними непровідними кришками або стрічкою. Чи не переносьте акумулятори, тріснути або бігу. Зв'язатися з нами для отримання подальших рекомендацій.

ТЕХНІЧНЕ ОБСЛУГОВУВАННЯ

Використовуйте тільки оригінальні запасні частини, аксесуари та обладнання від виробника. Невиконання цієї вимоги може привести до можливої травми, поганої продуктивності та може призвести до втрати гарантії.

Обслуговування вимагає крайньої обережності і знання і повинно бути виконане тільки кваліфікованим фахівцем. Звертайтеся тільки до авторизованого сервісного центру.

- Перевірте всі гайки, болти і гвинти після короткого проміжка часу на правильну герметичність, щоб забезпечити продукт у безпечному робочому стані. Будь-яка пошкоджена деталь, має бути правильно відремонтована або замінена в авторизованому сервісному центрі.
- Принесіть продукт в авторизований сервісний центр для заміни пошкоджених або нечитаемих етикеток.

- Ви можете зробити регулювання та ремонт, описані в цьому посібнику користувача. Для інших ремонтних робіт, зверніться до авторизованого сервісного агента.
- Після кожного використання, очистіть виріб м'якою сухою тканиною.

УСУНЕННЯ БЛОКУВАННЯ

- Щоб знизити ризик травмування рухомими частинами пристрою, завжди вимикайте пристрій, виймайте акумулятор і слідуйте, щоб усі рухомі частини повністю зупинилися.
- Від'єднайте трубку повітродувки та перевірте її на предмет закупорки. Прочистіть трубки, якщо потрібно.
- Перш, ніж вмикати повітрядувку, встановіть труби.

ЗНАЙ СВІЙ ПРОДУКТ

Дивіться сторінку 106.

1. Повітродмухальна трубка
2. Перемикач УВІМК/ВИМК
3. Ручка
4. Керівництво по експлуатації
5. Акумуляторна батарея
6. Зарядний пристрій

СИМВОЛИ НА ПРОДУКТІ



Перед використанням пристрою прочитайте та зрозумійте всі інструкції. Дотримуйтесь всіх попереджень та інструкцій з безпеки використання.



Остерігайтеся кинутих або літаючих об'єктів. Сторонні особи, діти та хатні тварини повинні знаходитися не ближче 15 м від робочої зони.



Ротаційні вентилятори. Тримайте руки і ноги подалі від отворів у той час як продукт працює.



Одягайте засоби для захисту слуху.



Одягайте захисні окуляри



Не піддавайте впливу дощу або вогкому стану.



Європейський знак відповідності



Британський знак відповідності



Євразійська знак відповідності.



Український знак відповідності



Гарантований рівень звукової потужності.



Не викидати відпрацьовані електричні прилади разом із побутовими відходами. Утилізувати у спеціально призначених закладах. За консультацією по утилізації приладу зверніться до органу місцевої влади або дилера

СИМВОЛИ В ЦЬОМУ ПОСІБНИКУ



ПРИМІТКА



Попередження



Запчастини та аксесуари, що продаються окремо

- EN
- FR
- DE
- ES
- IT
- NL
- PT
- DA
- SV
- FI
- NO
- RU
- PL
- CS
- HU
- RO
- LV
- LT
- ET
- HR
- SL
- SK
- BG
- UK**
- TR

Kablosuz yaprak üfleme makinenizin tasarımında güvenlik, performans ve güvenilirliğe en yüksek öncelik verilmiştir.

KULLANIM AMACI

Kablosuz üfleme makinesi sadece kuru ve iyi aydınlatılmış koşullarda açık alanda kullanıma yöneliktir.

Bu ürün çocuklar veya fiziksel, zihinsel veya duysal becerileri kısıtlı kişiler tarafından kullanıma uygun değildir.

Ürün yaprak, çim ya da diğer bahçe atıkları gibi hafif döküntüleri üfleme üzere tasarlanmıştır.

Başka herhangi bir amaçla kullanmayın.

GENEL GÜVENLİK UYARILARI

⚠ UYARI! Tüm güvenlik uyarılarını ve tüm talimatları okuyun. Uyarılara ve talimatlara uymamak elektrik çarpması, yangın ve/veya ciddi yaralanma ile sonuçlanabilir. İleride başvurmak üzere tüm uyarıları ve talimatları saklayın.

⚠ UYARI! Hiçbir zaman çocukların veya bu talimatları bilmeyen kişilerin ürünü kullanmasına izin vermeyin. Yerel yönetmelikler kullanıcının yaşına kısıtlama getirebilir.

EĞİTİM

- Talimatları dikkatlice okuyun. Ürünün kontrollerini ve nasıl doğru şekilde kullanılacağını öğrenin.
- Kazalardan ve diğer insanlara veya mallarına zarar verebilecek tehlikelerden kullanıcının sorumlu olduğunu unutmayın.
- Ürünü yorgun veya hastayken ya da uyuşturucu, alkol veya ilaç etkisi altındayken asla kullanmayın.

HAZIRLIK

- Bazı bölgeler ürünün bazı çalışmalarda kullanımına kısıtlama getiren yönetmeliklere sahiptir. Tavsiye için bölgenizdeki yetkili merciyeye başvurun.
- Ürünü kullanırken her zaman kulak tıkacı takın. Ürün gürültüldür ve maruz kalışınızı sınırlandırmaya ve gürültüyü azaltmaya yönelik önlemlere sıkıca uymamak işitmenizde kalıcı hasarla sonuçlanabilir.
- Bu ürünü kullanırken her zaman siperli koruyucu gözlük takın. Tam yüz maskesi veya tamamen kapalı gözlükler takın.

Normal gözlükler veya güneş gözlükleri uygun koruma sağlamaz. Güçlü hava jeti nedeniyle nesnelere her zaman yüksek hızda fırlayabilir ve sert yüzeylerden kullanıcıya doğru sekebilir.

- Ürünü kullanırken her zaman dayanıklı ayakkabılar ve uzun pantolon giyin. Ürünü çıplak ayakla veya üstü açık terlik giyerken kullanmayın. Üzerinize bol olan veya iplerin veya bağcıkların sarktığı kıyafetler giymekten kaçınin.
- Hava girişinin içine çekilebilecek bol kıyafetler giymeyin veya takı takmayın. Saçlarınız uzunsu hareketli parçalara dolaşmasını önlemek için omuz seviyesinin üzerinde toplayın.
- Her kullanım öncesi tüm kontrollerin ve güvenlik cihazlarının doğru şekilde çalıştığından emin olun. Eğer "kapalı" anahtarı ürünü durdurmuyorsa ürünü kullanmayın.
- Ürünü önerilen pozisyonda ve sadece sağlam, düz bir yüzey üzerinde kullanın.
- Ürünü fırlayan maddelerin yaralanmaya neden olabileceği asfalt kaplı veya çakıllı bir yüzeyde kullanmayın.
- Her kullanım öncesi gövdeyi her zaman hasara karşı inceleyin. Korumaların ve kulpların yerinde ve uygun şekilde sabitlendiğinden emin olun. Dengeyi korumak için aşınmış veya hasarlı bileşenleri takım olarak değiştirin. Hasarlı veya okunaksız etiketleri değiştirin.
- Ürünü hiçbir zaman yakın insanlar, özellikle çocuklar veya hayvanlar varken kullanmayın.
- Tüm soğuk hava girişlerini biriktiden temizleyin.
- Üflemeden önce biriktintiyi gevşetmek için tırmık ve süpürge kullanın.
- Her kullanım öncesi çalışma alanını temizleyin. Yüksek hızlı hava nedeniyle oldukça uzak mesafelere üflenebilecek taş, kırık cam, çivi, tel veya ip gibi tüm nesnelere temizleyin.
- Ürünün uzun süre kullanılması nedeniyle yaralanmalar meydana gelebilir veya kötüleşebilir. Herhangi bir alet uzun süre kullanıldığında düzenli molalar verdiğinizden emin olun.

PILLİ ALET KULLANIMI VE BAKIMI

- Sadece üretici tarafından belirtilen şarj cihazı ile şarj edin. Tek bir pil takımı tipine uygun bir şarj cihazı başka bir pil takımı ile birlikte kullanıldığında yangın riski oluşturabilir.
- Elektrikli aletleri sadece özel olarak belirtilmiş pil takımları ile birlikte kullanın. Başka bir pil takımı kullanmak yaralanma ve yangın riski oluşturabilir.
- Pil takımı kullanılmadığı zaman ataş, bozuk para, anahtar, çivi, vida ve diğer metal nesnelere gibi bir terminalden diğerine bağlantı oluşturabilecek diğer metal nesnelere uzak tutun. Pil terminallerinin birlikte kısa devre yapması yanığa veya yangına neden olabilir.
- Kötü koşullarda pilden sıvı boşalabilir; temas etmekten kaçının. Eğer kazara temas ederseniz temas eden yeri suyla yıkayın. Eğer sıvı gözlerinize temas ederse ek olarak tıbbi yardım alın. Pilden boşalan sıvı tahrişe veya yanıklara neden olabilir.
- Hasar görmüş ya da değiştirilmiş pil paketi ya da aleti kullanmayın. Hasar görmüş ya da değiştirilmiş piller yangın, patlama ya da yaralanma riskine yol açabilecek beklenmeyen davranış sergileyebilir.
- Pil paketi ya da aleti ateş ya da aşırı ısıya maruz bırakmayın. Ateş ya da 130°C üzerinde ısıya maruz bırakıldığında patlama olabilir.
- Şarj işlemine ilişkin tüm talimatlara uyun ve pil paketi ya da aleti talimatlarda belirtilen sıcaklık aralığı dışında şarj etmeyin. Belirtilen sıcaklık aralığı dışında şarj edildiğinde pil zarar görebilir ve yangın riski artar.

KULLANIM

- Ürünü sadece makul saatlerde kullanın – insanların rahatsız olabileceği sabah çok erken veya gece geç saatlerde kullanmayın.
- Ürünü hiçbir zaman patlayıcı atmosferde kullanmayın.
- Ürünü kötü hava koşullarında, özellikle yıldırım düşme riski varken kullanmaktan kaçının.
- Çevrenizdeki kişileri, çocukları ve evcil hayvanları çalışma alanından 15 m uzaklaştırın. Eğer herhangi biri bu alana girese ürünü durdurun.

- Kötü aydınlatmalı koşullarda kullanmayın. Kullanıcının potansiyel tehlikeleri belirlemesi için çalışma alanını net olarak görmesi gerekir.
- Yakında benzer aletler kullanmak hem işitme kaybı riskini hem de diğer insanların çalıştığınız alana girme riskini artırır.
- Eğimli yerlerde yere her zaman sağlam bastığınızdan emin olun. Yürüyün, hiçbir zaman koşmayın.
- Yere sağlam basın ve dengede durun. Yukarıya doğru erişmeye çalışmayın. Yukarıya erişmeye çalışmak dengenizi kaybetmenize neden olabilir.
- Ürünü bozuk muhafaza ya da kalkanlar ile ya da emniyet cihazları yerinde olmadan asla kullanmayın.
- Döner parçalara temastan kaynaklanabilecek yaralanma riskini azaltmak için her zaman ürünü kapatın ve pil paketini çıkarın. Tüm hareketli parçaların tamamen durduğundan emin olun.
 - ürünün yanından ayrılmadan önce
 - tıkanıklığı temizlemeden önce
 - ürünü kontrol etme, temizleme ve ürün üzerinde çalışmadan önce
 - yabancı bir nesne çarptıktan sonra ürünü incelemeyin
 - eğer ürünler anormal şekilde titremeye başlarsa (derhal inceleyin)
- Bir kaza ya da arıza durumunda ürünü derhal durdurun ve pil takımını çıkarın. Yetkili servis merkezi tarafından kontrol edilene dek ürünü tekrar çalıştırmayın.
- Üründe herhangi bir değişiklik yapmayın veya üretici tarafından önerilmeyen parçalar ve aksesuarlar kullanmayın.
- Eğer ürün düşerse, ağır darbe alırsa veya anormal şekilde titremeye başlarsa ürünü derhal durdurun ve hasara karşı inceleyin veya titreşimin nedenini belirleyin. Her türlü hasarın onarımı ya da parça değişimi yetkili bir merkezde gerektiği gibi yapılmalıdır.

ÜFLEYİCİ GÜVENLİK UYARILARI

- Tozlu koşullarda tozun solunmasıyla ilişkili yaralanma riskini azaltmak için filtreli bir yüz maskesi takın.
- Tozlu koşullarda yüzeyleri hafifçe nemlendirin.

- Ürünü açık pencerelerin vb. yanında kullanmayın.
- Hava akışının yere yakın şekilde çalışması için üfleme düzesini yam uzatarak kullanın.
- Üfleme düzesini insanlara veya evcil hayvanlara doğru tutmayın.
- Üfleme borularının içine hiçbir zaman hiçbir nesne koymayın.
- Ürünü gevşek döküntülerin tepesine ya da yakınına yerleştirmeyin. Birikinti hava girişinden emilebilir ve olası ürün hasarına neden olabilir.

PİL İÇİN EK GÜVENLİK UYARILARI

Bir kısa devreden kaynaklanan yangın, yaralanma veya ürün hasarları tehlikesini önlemek için aleti, güç paketini veya şarj cihazını asla sıvıların içine daldırmayınız ve cihazların ve pillerin içine sıvı girmesini önleyiniz. Tuzlu su, belirli kimyasallar, ağartıcı madde veya ağartıcı madde içeren ürünler gibi korozif veya iletken sıvılar kısa devreye neden olabilir.

TAŞIMA VE DEPOLAMA

- Nakletmeden ya da depolamadan önce ürünü kapatın, pil paketini çıkarın ve ürünün soğumasını bekleyin.
- Üründeki tüm yabancı maddeleri temizleyin. Çocukların erişemeyeceği serin, kuru ve iyi havalandırılan bir yerde depolayın. Bahçe kimyasalları ve buz çözücü tuzlar gibi korozif maddelerden uzak tutun. Ürünü açık havada depolamayın.
- Taşınacağı zaman insanların yaralanmasını veya ürünün zarar görmesini önlemek amacıyla ürünü hareket etmemesi veya düşmemesi için sabitleyin.

LİTYUM BATARYALARIN TAŞINMASI

Bataryayı yerel ve ulusal hükümlere ve yönetmeliklere uygun şekilde taşıyın.

Bataryalar üçüncü bir şahıs tarafından taşındığında ambalaj ve etiket üzerindeki tüm özel koşullara uyun. Açıkta bulunan konnektörleri yalıtkan, iletken olmayan başlıklar veya bant ile koruyarak hiçbir bataryanın taşıma sırasında diğer bataryalarla veya iletken malzemelerle temas etmediğinden emin olun. Çatlak veya sızdıran bataryaları taşımayın. Ek tavsiye için nakliye şirketi ile birlikte kontrol edin.

BAKIM

Sadece orijinal üreticinin yedek parçalarını, aksesuarlarını ve ek parçalarını kullanın. Aksine davranış olası yaralanmaya yol açabilir, yetersiz performansla neden olabilir ve garantinizin geçersiz olmasıyla sonuçlanabilir.

Servis çalışması en yüksek düzeyde dikkat ve bilgi gerektirir ve sadece nitelikli bir servis teknisyeni tarafından yapılmalıdır. Ürünün servis işlemlerini sadece yetkili bir servis merkezinde yaptırın.

- Ürünün güvenli çalışma durumunda olduğundan emin olmak için tüm somunların, civataların ve vidaların doğru sıkılıkta sık aralıklarla takıldığını kontrol edin. Hasarlı her tür parça yetkili servis merkezi tarafından uygun şekilde onarılmalı veya değiştirilmelidir.
- Zarar görmüş veya okunmaz durumdaki etiketleri değiştirmek için yetkili bir servis merkezine gönderin.
- Bu kılavuzda açıklanan ayarları ve onarımları yapabilirsiniz. Diğer onarımlar için yetkili servis temsilcisini arayın.
- Her kullanım sonrası ürünü yumuşak ve kuru bir bezle temizleyin.

TIKANIKLIĞIN GIDERİLMESİ

- Hareketli parçalara temastan kaynaklanabilecek yaralanma riskini azaltmak için her zaman ürünü kapatın, pil paketini çıkarın ve hareketli tüm parçaların tamamen durduğundan emin olun.
- Tıkanıklık olup olmadığını kontrol etmek için üfleme borularını çıkarın. Gerekliyse, boruları temizleyin.
- Ürünü başlatmadan önce üfleme borularını tekrar takın.

ÜRÜNÜNÜZÜ TANIYIN

Bkz. sayfa 106.

1. Üfleme borusu
2. Açma/Kapama Anahtarı
3. Kulp
4. Kullanıcı Kılavuzu
5. PİL
6. Şarj cihazı

ÜRÜN ÜZERİNDEKİ SEMBOLLER



Ürünü çalıştırmadan önce bütün talimatları okuyup anlayın. Tüm uyarı ve güvenlik talimatlarına uyun.



Fırlayan ve sıçrayan nesnelere dikkat edin. Üçüncü şahısları, özellikle çocukları ve evcil hayvanları çalışma alanından en az 15 m uzakta tutun.



Döner fanlar. Ellerinizi ve ayaklarınızı ürün çalışırken açık kısımlardan uzak tutun.



Kulak tıkacı takın.



Koruyucu gözlük takın.



Ürünü yağmura veya nemli koşullara maruz bırakmayın.



Avrupa Uyumluluk İşareti



Britanya Uyumluluk İşareti



EurAsian Uygunluk İşareti



Ukrayna Uyumluluk İşareti



Güvenceli ses gücü seviyesi



Atık elektrikli ürünler evsel atıklarla birlikte atılmamalıdır. Lütfen tesislerin mevcut olduğu yerlerde geri dönüştürün. Geri dönüşüm tavsiyesi için bölgenizdeki yetkili mercie veya satıcıya başvurun.

BU KILAVUZDAKİ SEMBOLLER



Not

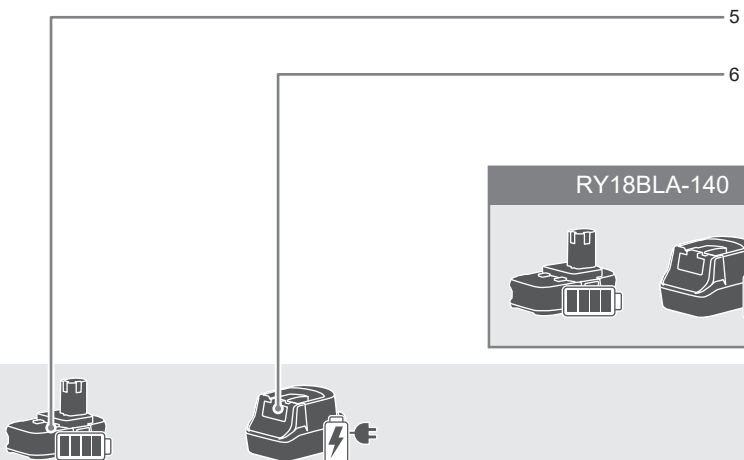
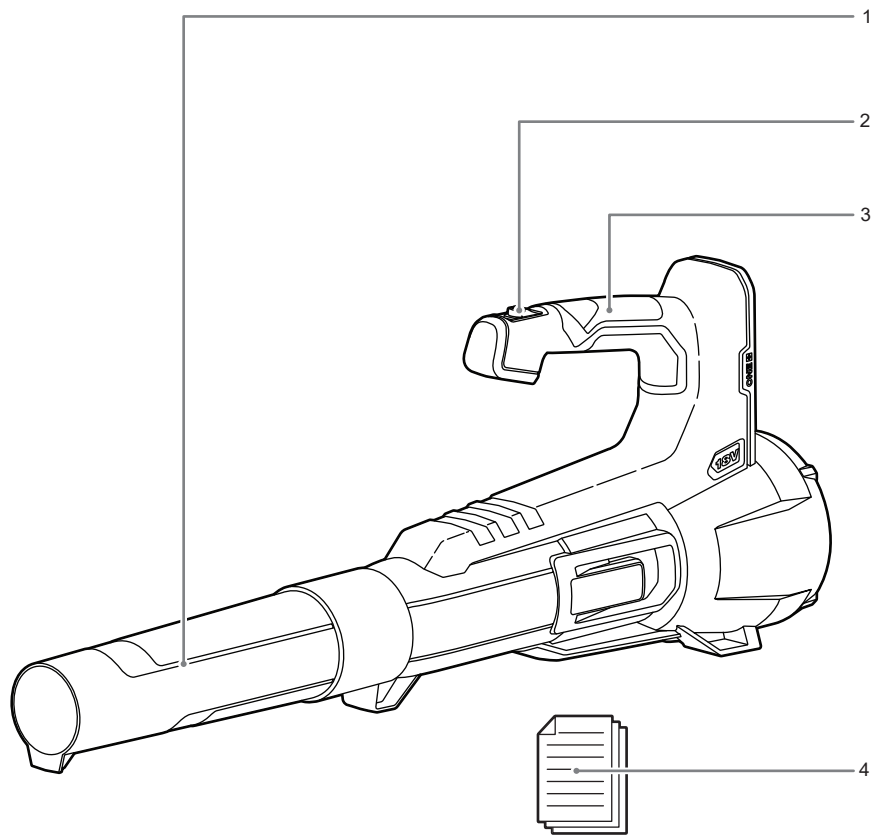


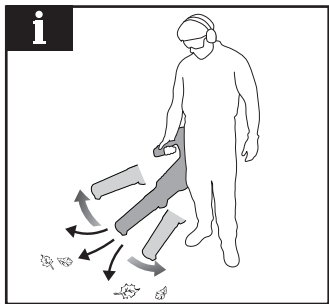
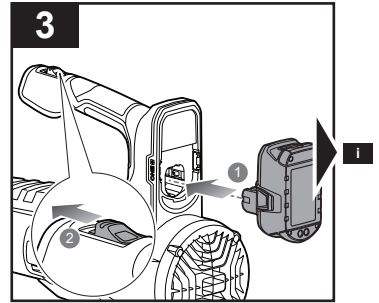
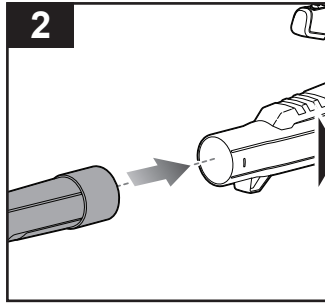
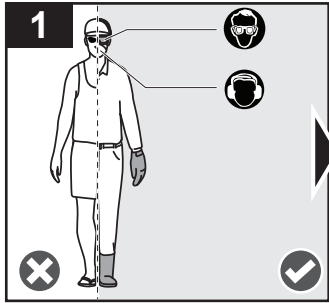
Uyarı

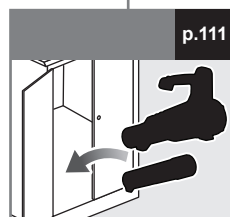
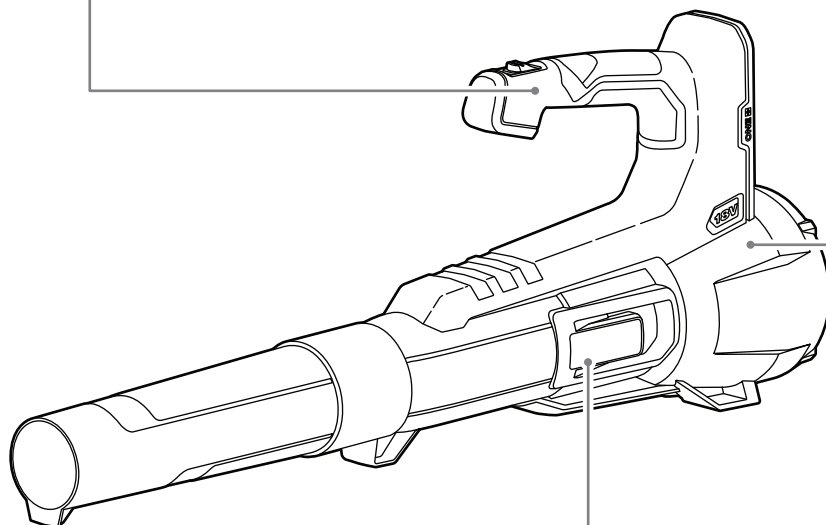
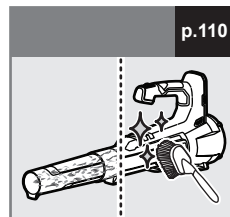
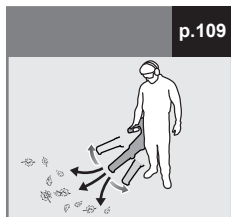


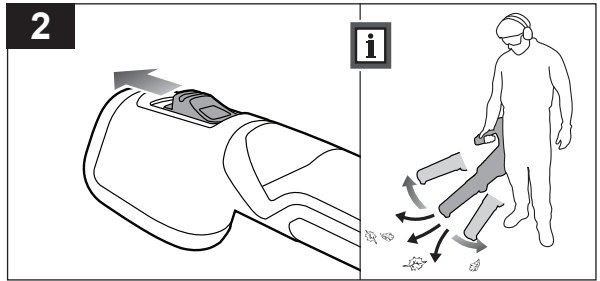
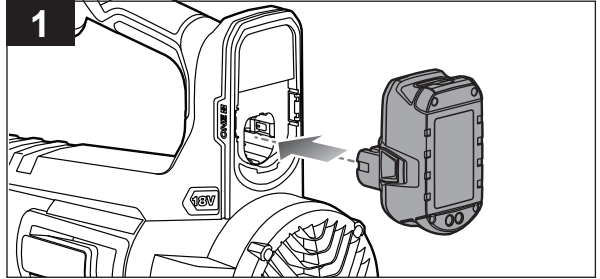
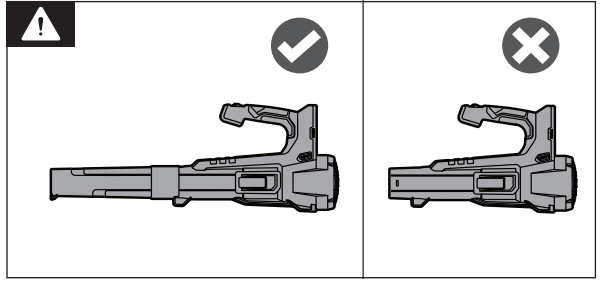
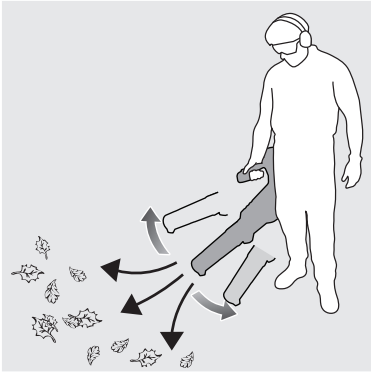
Ayrı satılan parçalar veya aksesuarlar

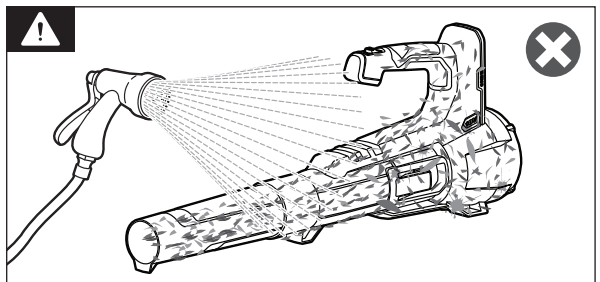
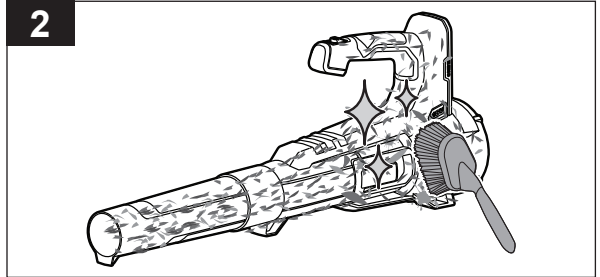
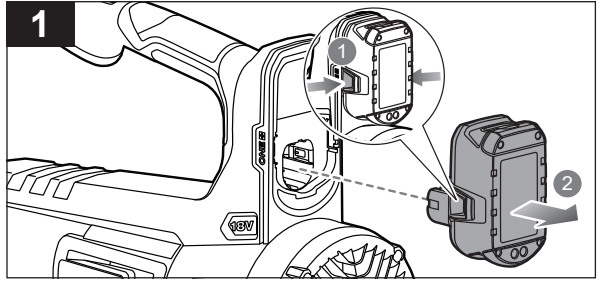
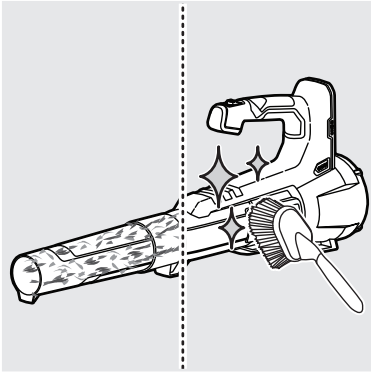
RY18BLA

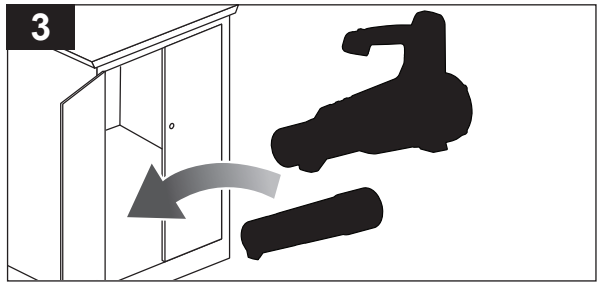
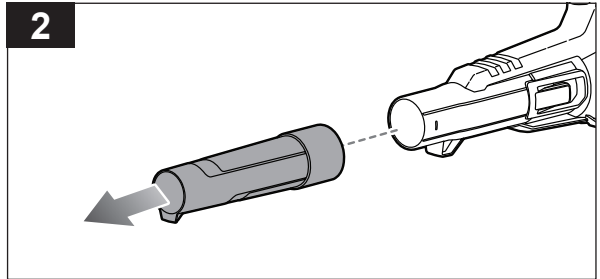
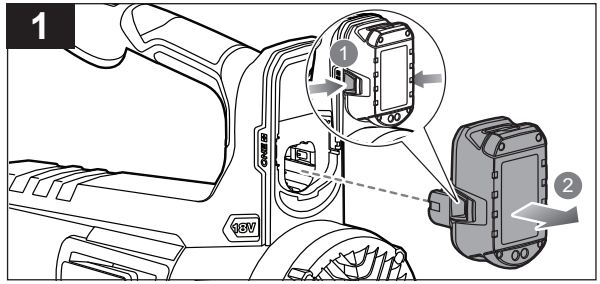














English	Français	Deutsch	Español	Italiano	Nederlands
Product specifications	Caractéristiques produit	Produkt-Spezifikationen	Características del producto	Caratteristiche del prodotto	Productgegevens
Cordless blower	Souffleur sans fil	Akku-Blasgerät	Soplador inalámbrico	Soffiatore senza fili	Accucladblazer
Model	Modèle	Modell	Modelo	Modello	Model
Rated voltage	Tension nominale	Nennspannung	Tensión nominal	Voltaggio nominale	Toegekende spanning
Average engine speed	Régime du moteur moyen	Durchschnittliche Motorgeschwindigkeit	Régimen medio del motor	Velocità media motore	Gemiddeld motortoerental
Average air velocity	Vitesse de l'air moyenne	Durchschnittliche Luftgeschwindigkeit	Velocidad media del aire	Velocità media aria	Gemiddelde lichtsnelheid
Average air volume	Volume d'air moyen	Durchschnittliches Luftvolumen	Volumen promedio del aire	Volume d'aria medio	Gemiddeld luchtvolume
Weight	Poids	Gewicht	Peso	Peso	Peso
Without battery pack	Sans le bloc de batterie	Ohne Akku	Sin batería	Senza batteria	Zonder accupak
With heaviest battery pack	avec la batterie la plus grosse	mit größtem Akku	Con la batería más pesada	con le batterie più pesanti	met zwaarste batterij
Vibration level (in accordance with Annex BB of EN 50636-2-100:2014)	Niveau de vibration (selon l'Annexe BB de la norme EN 50636-2-100:2014)	Vibrationsgrad (gemäß Anhang BB von EN 50636-2-100:2014)	Nivel de vibración (de acuerdo con el Anexo BB de EN 50636-2-100:2014)	Livello vibrazioni (secondo quanto disposto dall'Allegato BB della Direttiva EN 50636-2-100:2014)	Trillingsniveau (in overeenstemming met bijlage BB van EN 50636-2-100:2014)
Total value ah	Valeur totale ah	Gesamtwert ah	Valor total ah	Valore totale ah	Totaalwaarde ah
Uncertainty of measurement K	Incertitude de la mesure K	Unsicherheit der Messung K	Incertidumbre de medición K	Incertezza della misurazione K	Onzekerheid bij meting K
Noise emission level (in accordance with Annex CC of EN 50636-2-100:2014)	Niveau d'émission sonore (selon l'Annexe CC de la norme EN 50636-2-100:2014)	Geräuschemission (gemäß Anhang CC von EN 50636-2-100:2014)	Nivel de emisión de ruido (de acuerdo con el Anexo CC de EN 50636-2-100:2014)	Livello di emissione rumore (secondo quanto disposto dall'Allegato CC della Direttiva EN 50636-2-100:2014)	Geluidsemissieniveau (in overeenstemming met bijlage CC van EN 50636-2-100:2014)
A-weighted sound pressure level at operator's position L_{pA}	Niveau de pression sonore pondéré A au niveau de l'opérateur L_{pA}	A-bewerteter Schalldruckpegel an der Position des Anwenders L_{pA}	Nivel de presión sonora ponderado A en la posición del operario L_{pA}	Livello di pressione sonora ponderata A alla posizione dell'operatore L_{pA}	A-gewogen geluidsdrukniveau bij positie van gebruiker L_{pA}
Uncertainty of measurement K_{pA}	Incertitude de la mesure K_{pA}	Unsicherheit der Messung K_{pA}	Incertidumbre de medición K_{pA}	Incertezza della misurazione K_{pA}	Onzekerheid bij meting K_{pA}
A-weighted sound power level L_{wA}	Niveau de puissance acoustique pondéré A L_{wA}	Mit A bewertete Geräuschemissionen L_{wA}	Nivel de potencia acústica con emisiones ponderadas A L_{wA}	Livello di emissioni sonore classe A L_{wA}	A-gewogen geluidsvermogensniveau L_{wA}
Uncertainty of measurement K_{wA}	Incertitude de la mesure K_{wA}	Unsicherheit der Messung K_{wA}	Incertidumbre de medición K_{wA}	Incertezza della misurazione K_{wA}	Onzekerheid bij meting K_{wA}
$L_{wA} + K_{wA}$	$L_{wA} + K_{wA}$	$L_{wA} + K_{wA}$	$L_{wA} + K_{wA}$	$L_{wA} + K_{wA}$	$L_{wA} + K_{wA}$



Battery and charger	Batterie et chargeur	Akku und Ladegerät	Batería y cargador	Batteria e caricatore	Accu en oplader
Model	Modèle	Modell	Modelo	Modello	Model
Battery pack	Bloc de batterie	Akkupack	Batería	Batteria	Accu
Charger	Chargeur	Ladegerät	Cargador	Caricatore	Lader
Compatible battery pack	Blocs des batterie compatibles	Kompatible Akkus	Paquetes de batería compatibles	Gruppo batterie compatibili	Compatibele accupacks
Compatible charger	Chargeur compatible	Kompatibles Ladegerät	Cargador compatible	Caricatore compatibile	Compatibele oplader





Português	Dansk	Svenska	Suomi	Norsk	Русский	
Características do aparelho	Produktspecificationer	Produktspecificationer	Tuotteen tekniset tiedot	Produktspesifikasjoner	Характеристики изделия	
Soprador eléctrico recarregável	Ledningsfri blæser	Sladdlös blåsmaskin	Johdoton lehtipuhallin	Batteridrevet blæser	Беспроводная воздуходувка	
Modelo	Model	Modell	Malli	Modell	Модель	RY18BLA
Tensão nominal	Mærkespænding	Spänning	Nimellisännite	Nominell spenning	Номинальное напряжение	18 V d.c.
Velocidade média do motor	Gennemsnitlig motorhastighed	Motorhastighet i genomsnitt	Keskimääräinen moottorin nopeus	Gjennomsnittlig motorhastighet	Средняя частота вращения двигателя	17500 /min
Velocidade média do ar	Gennemsnitlig luftshastighed	Luftshastighet i genomsnitt	Keskimääräinen ilmavirran nopeus	Gjennomsnittlig luftshastighet	Средняя скорость воздушного потока	145 km/h
Volume médio do ar	Gennemsnitlig luftmængde	Genomsnittlig luftvolum	Keskimääräinen ilmatilavuus	Gjennomsnittlig luftvolum	Средний объем воздуха	7,1 m³/min
Peso	Vikt	Vægt	Vekt	Paino	Вес	
Sem bateria	Ingen batteri	Utan batteri	Ilman akkua	Uten batteri	Без аккумулятора	2,1 kg
Com bateria mais pesada	med tungeste batteri	med tyngsta batteriet	painavimmalla akulla	med det kraftigste batteriet	с самой тяжелой батареей	3,3kg (9 Ah)
Nível de vibração (em conformidade com o Anexo BB de EN 50636-2-100:2014)	Vibrationsniveau (iht. bilag BB til EN 50636-2-100:2014)	Vibrationsnivå (enligt Annex BB i EN 50636-2-100:2014)	Tärinätaso (standardin EN 50636-2-100:2014 liitteen BB mukaisesti)	Vibrasjonsnivå (iht. tillegg BB i EN 50636-2-100:2014)	Уровень вибрации (в соответствии с Приложением ВВ стандарта EN 50636-2-100:2014)	
Valor total ah	Totalværdi ah	Totalt värde ah	Kokonaisarvo ah	Verdi i alt ah	Суммарное значение ah	3,4 m/s²
Incerteza de medições K	Målingsusikkerhed K	Osikkerhet i måtninger K	Mittausten epätarkkuus K	Usikkerhet ved måling K	Погрешность измерения K	1,5 m/s²
Nível de emissão de ruído (em conformidade com o Anexo CC de EN 50636-2-100:2014)	Støjmissionsniveau (iht. bilag CC til EN 50636-2-100:2014)	Bullerutsläppsnivå (enligt Annex CC i EN 50636-2-100:2014)	Melutaso (standardin EN 50636-2-100:2014 liitteen CC mukaisesti)	Støyutslippsnivå (iht. tillegg CC i EN 50636-2-100:2014)	Уровень шума (в соответствии с Приложением СС стандарта EN 50636-2-100:2014)	
Nível de pressão sonora ponderada A na posição do operador L_{pA}	A-vægtet lydtryksniveau ved operatørens position L_{pA}	A-viktad ljudtrycksnivå vid operatörens plats L_{pA}	A-painotettu käyttäjään kohdistuva äänenpainetaso L_{pA}	Støynivåvektning ved operatørens posisjon L_{pA}	Амплитудно-взвешенный уровень звукового давления в рабочем месте оператора L_{pA}	73,6 dB(A)
Incerteza de medições K_{pA}	Målingsusikkerhed K_{pA}	Osikkerhet i måtninger K_{pA}	Mittausten epätarkkuus K_{pA}	Usikkerhet ved måling K_{pA}	Погрешность измерения K_{pA}	3,0 dB
Nível de potência sonora ponderado a A L_{wA}	A-vægtet støjniveau L_{wA} for uledet lyd	A-vægd lyd effektnivå L_{wA}	A-painotettu äänitehotaso L_{wA}	A-vektet lyd effektnivå L_{wA}	Уровень мощности звука L_{wA} , взвешенный по кривой A	86,8 dB(A)
Incerteza de medições K_{wA}	Målingsusikkerhed K_{wA}	Osikkerhet i måtninger K_{wA}	Mittausten epätarkkuus K_{wA}	Usikkerhet ved måling K_{wA}	Погрешность измерения K_{wA}	1,7 dB
$L_{wA} + K_{wA}$	$L_{wA} + K_{wA}$	$L_{wA} + K_{wA}$	$L_{wA} + K_{wA}$	$L_{wA} + K_{wA}$	$L_{wA} + K_{wA}$	89 dB(A)

Bateria e carregador	Batteri og oplader	Batteri och batteriladdare	Akkua ja laturi	Batteri og lader	Аккумуляторная батарея и зарядное устройство	
Modelo	Model	Modell	Malli	Modell	Модель	RY18BLA-0
Bateria	Batteri	Batteri	Akkua	Batteri	Аккумулятор	RY18BLA-140
Carregador	Oplader	Batteriladdare	Laturi	Lader	Зарядное устройство	RC18115
Baterias Compatíveis	Kompatible batterier	Kompatibla batteripaket	Yhteensopivat akut	Kompatible batteripakker	Совместимая аккумуляторная батарея	RB18..
Carregador compatível	Kompatibel oplader	Kompatibel laddare	Yhteensopiva laturi	Kompatibel lader	Совместимое зарядное устройство	RC18.., BCL1418.., BCS618





Polski	Čeština	Magyar	Română	Latviski	Lietuviškai	Eesti
Parametry techniczne	Technické údaje produktu	Termék műszaki adatai	Specificațiile produsului	Produkta specifikācijas	Gaminio techninės savybės	Toote tehnilised andmed
Dmuchawa bezprzewodowa	Akumulátorový foukač	Akkumulátoros lombfúvó	Suflantă fără fir	Bezvadu pūtējs	Belaidis pūstuvės	Akutoitega puhur
Model	Model	Tipus	Model	Modelis	Modelis	Mudel
Napięcie znamionowe	Jmenovité napětí	Névleges feszültség	Tensiunea nominală	Nominālais spriegums	Nominali įtampa	Nimipinge
Średnia prędkość silnika	Průměrné otáčky motoru	Átlagos motorfordulatszám	Viteza medie a motorului	Vidējais motora ātrums	Vidutiniai variklio sukiai	Mootori keskmine pöörlemiskiirus
Średnia prędkość powietrza	Průměrný průtok vzduchu	Átlagos légsebesség	Viteza medie a aerului	Vidējais gaisa plūsmas ātrums	Vidutinis oro srauto greitis	Keskmine õhukiirus
Przebiegna objętość powietrza	Průměrný objem vzduchu	Átlagos levegőmennyiség	Volumul mediu de aer	Vidējais gaisa tilpums	Vidutinis oro tūris	Keskmine õhuvooluhulk
Greutate	Waga	Bec	Tömeg	Teža	Težina	Mass
Bez akumulatora	Není vložen akumulátor	Akkumulátor nélkül	Fără baterie	Bez akumulatora	Be akumulatorinės baterijos	Ilma aku pakita
z najcieńszym akumulatorem	s nejtěžší baterií	a legnehezebb akkumulátorral	cu cea mai grea baterie	ar smagāko bateriju	su sunkiausia baterija	kõige võimsama akuga
Poziom vibracji (zgodnie z aneksem BB normy EN 50636-2-100:2014)	Úroveň vibrací (v souladu s přílohou BB normy EN 50636-2-100:2014)	Vibrációs szint (az EN 50636-2-100:2014 BB függeléke szerint)	Nivel de vibrație (în conformitate cu Anexa BB a EN 50636-2-100:2014)	Vibrācijas līmenis (saskaņā ar direktīvas EN 50636-2-100:2014 BB pielikumu)	Vibracijos lygis (pagal EN 50636-2-100:2014 standarto BB priedą)	Vibratsioonitase (vastavalt standardi EN 50636-2-100:2014 lisale BB)
Łączna wartość ah	Celková hodnota ah	Teljes érték ah	Valoare totală ah	Kopējā vērtība ah	Vertė iš viso ah	Koguväärtus ah
Niepewność pomiaru K	Nejistota měření K	Mérés bizonytalansága K	Incertitudine a măsurării K	Mērījuma mainīgums K	Matmenų paklaida K	Mõõtmismääramatus K
Poziom emisji hałasu (zgodnie z aneksem CC normy EN 50636-2-100:2014)	Hladina emise hluku (v souladu s přílohou CC normy EN 50636-2-100:2014)	Hangkibocsátási szint (az EN 50636-2-100:2014 CC függeléke szerint)	Nivel emisie zgomot (în conformitate cu Anexa CC a EN 50636-2-100:2014)	Trokšņu emisijas līmenis (saskaņā ar direktīvas EN 50636-2-100:2014 CC pielikumu)	Skleidžiama triukšmo lygis (pagal EN 50636-2-100:2014 standarto CC priedą)	Vibratsioonitase (vastavalt standardi EN 50636-2-100:2014 lisale CC)
Poziom ciśnienia akustycznego (A) w miejscu operatora L _{pa}	Hladina akustického tlaku vážená funkcí A v poloze obsluhy L _{pa}	A-súlyozott hangnyomásszint a kezelő helyén L _{pa}	Nivel presiune sunet greutate A la poziția operatorului L _{pa}	Lietotāja pozīcijā ir ar A novērtēts skaņas spiediena līmenis L _{pa}	A svorisin triukšmo slėgio lygis operatoriaus padėtyje L _{pa}	A-kaalutud müramissiooni rõhu tase operaatori tőköhal L _{pa}
Niepewność pomiaru K _{pa}	Nejistota měření K _{pa}	Mérés bizonytalansága K _{pa}	Incertitudine a măsurării K _{pa}	Mērījuma mainīgums K _{pa}	Matmenų paklaida K _{pa}	Mõõtmismääramatus K _{pa}
Poziom dźwięku A L _{wa}	Hladina akustického tlaku + kolísavost L _{wa}	„A” súlyozású hangteljesítményszint, L _{wa}	Nivel de presiune acustică ponderat (L _{wa}) - A	A-svērtāis skaņas jaudas līmenis L _{wa}	Svertinis garso galios lygis L _{wa}	A-korigeeritud helivõimsuse tase L _{wa}
Niepewność pomiaru K _{wa}	Nejistota měření K _{wa}	Mérés bizonytalansága K _{wa}	Incertitudine a măsurării K _{wa}	Mērījuma mainīgums K _{wa}	Matmenų paklaida K _{wa}	Mõõtmismääramatus K _{wa}
L _{wa} + K _{wa}	L _{wa} + K _{wa}	L _{wa} + K _{wa}	L _{wa} + K _{wa}	L _{wa} + K _{wa}	L _{wa} + K _{wa}	L _{wa} + K _{wa}



Akumulator i ładowarka	Nabiječka a baterie	Akkumulátor és töltő	Bateria și încărcătorul	Akumulators un lādētājs	Akumulatorius ir įkroviklis	Aku ja laadija
Model	Model	Tipus	Model	Modelis	Modelis	Mudel
Akumulator	Baterie	Akkumulátor	Acumulator	Akumulators	Baterija	Aku paketiga
Ładowarka	Nabiječka	Töltő	Încărcător	Lādētājs	Įkroviklis	Laadija
Pasujące akumulatory	Kompatibilni akumulatory	Kompatibilis akkumulátorok	Acumulatori compatibili	Savietojami akumulatoru komplekti	Suderinami baterijos paketai	Ühilduvad akupaketid
Odpowiednia ładowarka	Kompatibilni nabiječka	Kompatibilis töltő	Încărcător compatibil	Saderīgs lādētājs	Tinkamas įkroviklis	Ühilduv laadija





Hrvatski	Slovensko	Slovenčina	България	Українська	Turce	
Specifikacije proizvoda	Specifikacije proizvoda	Špecifikácie produktu	Технически характеристики	Технічні характеристики пристрою	Ürün teknik özellikleri	
Akumulatorska puhalica	Akumulatorska puhalica	Akumulátorový fúkač	Безжичен уред за обдуване	Бездротова повітряна пушка	Kablosuz Yaprak Üfleme Makinesi	
Model	Model	Modelis	Модел	Модель	Model	RY18BLA
Nazivni napon	Nazivni napon	Menovité napätie	Номинален волтаж	Номинална напруга	Nominal voltaj	18 V d.c.
Prosječna brzina motora	Prosječna brzina motora	Priemerné otáčky motora	Средна скорост на двигателя	Середня швидкість мотору	Ortalama motor hızı	17500 /min
Prosječna brzina zraka	Prosječna brzina zraka	Priemerná rýchlosť vzduchu	Средна скорост на въздуха	Середня швидкість повітря	Ortalama hava hızı	145 km/h
Prosječni volumen zraka	Prosječni volumen zraka	Priemerný objem vzduchu	Среден обем на въздуха	Середній об'єм повітря	Ortalama hava hacmi	7,1 m ³ /min
Masé	Masé	Hmotnosť	Тегло	Vaга	Ağırlık	
Bez baterije	Bez baterije	Bez batérie	Без батерия	без акумулатора	Batarya hariç	2,1 kg
s najvećom baterijom	s najvećom baterijom	s najjačším akumulátorom	s най-тежката акумулаторна батерия	з найважчим акумулатором	en ağır batarya ile	3,3kg (9 Ah)
Razina vibracija (u skladu s Dodatkom B EN 50636-2-100:2014)	Razina vibracija (u skladu s Dodatkom B EN 50636-2-100:2014)	Úroveň vibrácií (v súlade s Dodatkom BB v EN 50636-2-100:2014)	Ниво на вибрациите (в съответствие с приложение BB на EN 50636-2-100:2014)	Рівень вібрації (відповідно до EN 50636-2-100:2014 додаток BB)	Titreşim seviyesi (EN 50636-2-100:2014, Ek BB uyarınca)	
Ukupna vrijednost ah	Ukupna vrijednost ah	Celková hodnota ah	Обща стойност ah	Загальне значення ah	Toplam değer ah	3,4 m/s ²
Neodređenost mjerenja K	Neodređenost mjerenja K	Nespoľahlivosť meraní K	Несигурност на измерването K	Невизначеність вимірювання K	Ölçüm bilinmiyor K	1,5 m/s ²
Razina emisija buke (u skladu s Dodatkom CC EN 50636-2-100:2014)	Razina emisija buke (u skladu s Dodatkom CC EN 50636-2-100:2014)	Úroveň emisií hluku (v súlade s Dodatkom CC v EN 50636-2-100:2014)	Ниво на шумовите емисии (в съответствие с приложение CC на EN 50636-2-100:2014)	Рівень шуму (відповідно до EN 50636-2-100:2014 додаток CC)	Gürültü emisyon seviyesi (EN 50636-2-100:2014, Ek CC uyarınca)	
A-ponderirana razina zvučnog tlaka u položaju operatera L _{PA}	A-ponderirana razina zvučnog tlaka u položaju operatera L _{PA}	Vážená A hladina akustického tlaku na pozicii obsluhujúcej osoby L _{PA}	Равнище A на нивото на шумовото налягане на мястото на оператора L _{PA}	Рівень звукового тиску за шкалою A для оператора пристрою L _{PA}	Kullanıcı pozisyonundaki A ağırlıklı ses basıncı seviyesi L _{PA}	73,6 dB(A)
Neodređenost mjerenja K _{SA}	Neodređenost mjerenja K _{SA}	Nespoľahlivosť meraní K _{SA}	Несигурност на измерването K _{SA}	Невизначеність вимірювання K _{SA}	Ölçüm bilinmiyor K _{SA}	3,0 dB
Ponderirana razina zvučne snage (A) L _{WA}	Ponderirana razina zvučne snage (A) L _{WA}	A-vážená hladina emisií akustického výkonu L _{WA}	A-претеглено ниво на звуковата мощност L _{WA}	Зважений рівень шуму L _{WA}	A-ağırlıklı ses gücü seviyesi L _{WA}	86,8 dB(A)
Neodređenost mjerenja K _{WA}	Neodređenost mjerenja K _{WA}	Nespoľahlivosť meraní K _{WA}	Несигурност на измерването K _{WA}	Невизначеність вимірювання K _{WA}	Ölçüm bilinmiyor K _{WA}	1,7 dB
L _{WA} + K _{WA}	L _{WA} + K _{WA}	L _{WA} + K _{WA}	L _{WA} + K _{WA}	L _{WA} + K _{WA}	L _{WA} + K _{WA}	89 dB(A)

Baterija i punjač	Baterija i punjač	Akumulátor a nabijačka	Батерия и зарядно устройство	Акумулатор і зарядний пристрій	Pil ve şarj cihazı	
Model	Model	Modelis	Модел	Модель	Model	RY18BLA-0 RY18BLA-140
Baterija	Baterija	Batéria	Батерия	Акумулаторна батарея	Pil	- RB18L40
Punjač	Punjač	Nabijačka	Зарядно устройство	Зарядний пристрій	Şarj cihazı	- RC18115
Kompatibilna pakiranja baterija	Kompatibilna pakiranja baterija	Kompatibilné jednotky akumulátorov	Съвместими батерии	Сумісні акумулаторні блоки	Uyumlu pil takımları	RB18..
Kompatibilni punjači	Kompatibilni punjači	Kompatibilná nabijačka	Съвместимо зарядно устройство	Сумісний зарядний пристрій	Uyumlu şarj cihazı	RC18... BCL1418... BCS618





EN ⚠ WARNING

The declared vibration total values and the declared noise emission values given in this instruction manual have been measured in accordance with a standardised test and may be used to compare one tool with another. They may be used for a preliminary assessment of exposure.

The declared vibration and noise emission values represent the main applications of the tool. However, if the tool is used for different applications, used with different accessories, or poorly maintained, the vibration and noise emission may differ. These conditions may significantly increase the exposure levels over the total working period. An estimation of the level of exposure to vibration and noise should take into account the times when the tool is turned off or when it is running idle. These conditions may significantly reduce the exposure level over the total working period.

Identify additional safety measures to protect the operator from the effects of vibration and noise, such as maintaining the tool and the accessories, keeping the hands warm (in case of vibration), and organising work patterns.

FR ⚠ AVERTISSEMENT

Le niveau total de vibrations et le niveau total d'émissions sonores déclarés indiqués dans ce manuel d'instruction ont été mesurés selon une méthode de test normalisée et peut servir de référence pour comparer les outils entre eux. Ils peuvent servir d'évaluation préliminaire à l'exposition.

Les niveaux d'émissions sonores et de vibrations déclarés représentent les principales applications de l'outil. Toutefois, si l'outil est utilisé pour des applications différentes ou des accessoires différents, ou s'il est mal entretenu, les vibrations émises peuvent varier. Ces facteurs pourraient augmenter considérablement les niveaux d'exposition sur la durée totale d'utilisation. Une estimation du niveau d'exposition aux vibrations et du bruit doit aussi prendre en compte les périodes durant lesquelles l'outil est éteint ou lorsqu'il fonctionne à vide. Ces facteurs pourraient réduire considérablement le niveau d'exposition sur la durée totale d'utilisation.

Identifiez toute mesure de sécurité supplémentaire à observer pour protéger l'opérateur des effets des vibrations et du bruit, comme l'entretien de l'outil et des accessoires, le maintien au chaud des mains (en cas de vibrations), et l'élaboration de schémas de pulvérisation.

DE ⚠ WARNUNG

Die in dieser Anleitung deklarierten Gesamtwerte der Schwingungsemission und die deklarierten Werte der Geräuschemission wurden gemäß einer standardisierten Testmethode gemessen und können verwendet werden, um Werkzeuge miteinander zu vergleichen. Sie können für eine vorläufige Beurteilung der Belastung verwendet werden.

Die deklarierten Werte für Schwingungs- und Geräuschemission treffen auf die Hauptanwendung des Werkzeugs zu. Wenn jedoch das Werkzeug für verschiedene Anwendungen oder mit unterschiedlichem Zubehör genutzt wird oder schlecht gewartet ist, kann die Schwingungs- und Geräuschemission variieren. Diese Bedingungen können das Belastungsniveau über die gesamte Arbeitszeit deutlich steigern. Eine Schätzung der Schwingungsbelastung sollte auch die Zeiten berücksichtigen, in denen das Werkzeug ausgeschaltet ist oder im Leerlauf läuft. Diese Bedingungen können das Belastungsniveau über die gesamte Arbeitszeit deutlich reduzieren.

Legen Sie zusätzliche Sicherheitsmaßnahmen fest, um den Bediener vor den Auswirkungen von Schwingung und Geräuschen zu schützen, z. B. Warten des Geräts und der Zubehörteile, Warmhalten der Hände (bei Schwingung) und Organisieren der Tätigkeit.

ES ⚠ ADVERTENCIA

Los valores totales de emisión de vibración declarados y los valores de emisiones de ruido declarados que se indican en este manual de instrucciones se han calculado según lo establecido en una prueba estandarizada y se pueden utilizar para comparar una herramienta con otra. Se pueden utilizar para una evaluación preliminar de exposición.

Los valores declarados de emisión de vibración y ruido representan las aplicaciones principales de la herramienta. No obstante, si la herramienta se utiliza para diferentes aplicaciones, con distintos accesorios o con un mantenimiento deficiente, la emisión de vibración y ruido podría diferir. Estas condiciones podrían aumentar significativamente los niveles de exposición sobre el periodo de funcionamiento total. Una estimación del nivel de exposición a la vibración y el ruido debería también tenerse en cuenta la herramienta está apagada o cuando funciona a baja intensidad. Estas condiciones podrían reducir significativamente el nivel de exposición sobre el periodo de funcionamiento total.

Identifique cualquier medida de protección adicional para proteger al operario de los efectos de la vibración y el ruido, como el mantenimiento de la herramienta y los accesorios, mantener las manos calientes (en caso de vibración) y la organización de los patrones de trabajo.

IT ⚠ AVVERTENZE

Il livello di emissioni di vibrazioni riportato in questa scheda informativa è stato misurato con un metodo di prova standardizzato ed è utilizzabile per confrontare gli utensili fra di loro. Questi possono essere usati per una valutazione preliminare dell'esposizione.

I valori di emissione di rumori e vibrazioni rappresentano le principali applicazioni dello strumento. Tuttavia, se l'utensile viene utilizzato in applicazioni differenti, con differenti accessori o con scarsa manutenzione, l'emissione di vibrazioni e rumori può essere diversa. Queste condizioni possono significativamente aumentare il livello di esposizione nel periodo di lavoro totale. Una stima del livello di esposizione alle vibrazioni e ai rumori va presa in considerazione anche quando l'utensile viene spento oppure è in funzione a folle. Queste condizioni possono significativamente ridurre il livello di esposizione nel periodo di lavoro totale.

Identificare le misure di sicurezza aggiuntive per proteggere l'operatore dagli effetti di vibrazioni e rumori, come la manutenzione di strumento e accessori, mantenendo le mani calde (in caso di vibrazione) e le modalità di lavoro.

NL ⚠ WAARSCHUWING

Het gespecificeerde totale trillingswaarden en geluidsemissiewaarden in deze instructiehandleiding zijn gemeten overeenkomstig een gestandaardiseerde test en kunnen worden gebruikt om gereedschappen met elkaar te vergelijken. Ze kunnen worden gebruikt voor een voorafgaande beoordeling van blootstelling.

De gespecificeerde trillings- en geluidsemissiewaarden vertegenwoordigen de belangrijkste toepassingen van het gereedschap. Als het gereedschap echter voor andere toepassingen of met andere accessoires wordt gebruikt of slecht wordt onderhouden, kunnen de trillings- en geluidsemissiewaarden afwijken. Deze omstandigheden kunnen het blootstellingsniveau over de gehele gebruiksperiode aanzienlijk verhogen. Een schatting van het niveau van blootstelling aan trillingen en geluid dient ook rekening te houden met de perioden dat het gereedschap is uitgeschakeld of is ingeschakeld maar niet wordt gebruikt. Deze omstandigheden kunnen de blootstellingsniveaus over de gehele gebruiksperiode aanzienlijk verhogen.

Stel aanvullende veiligheidsmaatregelen vast om de gebruiker te beschermen tegen de effecten van trillingen en geluid, zoals onderhoud van het gereedschap en de accessoires, het warm houden van de handen (in geval van trillingen) en het organiseren van werkpatronen.

PT ⚠ AVISO

Os valores de vibração totais declarados e o nível de emissão de ruído dado nesta ficha de informações foi medido de acordo com um teste normalizado e pode ser utilizado para fazer comparações entre ferramentas. Podem ser utilizados para uma avaliação preliminar da exposição.

O nível declarado de emissão de vibrações e ruído representa as aplicações principais da ferramenta. Contudo, se a ferramenta for utilizada para várias aplicações, com diferentes acessórios ou se receber manutenção insuficiente, a emissão de vibrações e ruído pode ser diferente. Estas condições podem aumentar significativamente o nível de exposição ao longo do período total de trabalho. Uma estimativa do nível de exposição às vibrações e ruído deverá também levar em conta os tempos que a ferramenta está desligada ou que está a funcionar mas sem estar a ser utilizada para trabalho. Estas condições podem reduzir significativamente o nível de exposição ao longo do período total de trabalho.

Identifique medidas de segurança adicionais para proteger o operador dos efeitos da vibração e ruído, tal como a manutenção da ferramenta e dos acessórios, manter as mãos quentes (em caso de vibração) e organizar padrões de trabalho.

DA ⚠ ADVARSEL

Vibrations- og støjemissionsværdierne, der er angivet i denne vejledning er målt i overensstemmelse med en standardiseret test og kan bruges til at sammenligne et værktøj med et andet. De kan bruges til en foreløbig vurdering af udsættelse.

De angivne vibrations- og støjemissionsværdier repræsenterer værktøjets hovedanvendelser. Hvis værktøjet imidlertid anvendes til andre former for forskelligt tilbehør eller er dårligt vedligeholdt, kan vibrations- og lydmissionen afvige. Disse forhold kan i væsentlig grad forøge udsættelsesniveauerne over den samlede arbejdsperiode. Et overslag over udsættelsesniveauet for vibrationer og støj bør også tage højde for de gange, hvor værktøjet er slukket, eller når det kører i tomgang. Disse forhold kan i betragteligt omfang reducere udsættelsesniveauet over den samlede arbejdsperiode.

Find yderligere sikkerhedsforanstaltninger, der kan beskytte operatøren mod virkningerne af vibrationer og støj, såsom vedligeholdelse af værktøjet og tilbehøret, holde hænderne varme (i tilfælde af vibrationer) og organisering af arbejdsmonter.



(SV) ⚠️ **VARNING**

De angivna totala vibrations- och bulleremissionsvärdena som anges i denna instruktionsmanual har uppmätts i enlighet med ett standardiserat test och kan användas för att jämföra olika verktyg. De kan användas för en preliminär bedömning av exponering.

De angivna vibrations- och bulleremissionsvärdena representerar verktygets huvudsakliga användningsområden. Om verktyget emellertid används i andra tillämpningar, med andra tillbehör eller underhålls bristfälligt, kan vibrationer och bulleremission skilja sig från de angivna. Dessa förhållanden kan öka exponeringsnivåerna under den totala arbetsperioden avsevärt. En uppskattning av exponeringsnivån för vibrationer och buller bör även ta med i beräkningen de tider då verktyget är avstängt eller när det är igång men inte används i arbete. Dessa förhållanden kan minska exponeringsnivån under den totala arbetsperioden avsevärt.

Identifera ytterligare säkerhetsåtgärder för att skydda operatören från effekterna av vibrationer och buller, såsom att underhålla verktyget och tillbehören, hålla händerna varma (i händelse av vibrationer) och organisera arbetsmönster.

(FI) ⚠️ **VAROITUS**

Tässä ohjekäsikirjassa tärinälle annetut kokonaisarvot ja ilmoitetut melupäästöarvot on mitattu standardoidun kokeen mukaisesti, ja niitä voidaan käyttää työkalujen vertaamiseen toisiinsa. Niitä voidaan käyttää altistumisen alustavaan arvioimiseen.

Ilmoitetut tärinä- ja melupäästöarvot koskevat työkalun pääkäyttötarkoituksia. Tärinäpäästö voi kuitenkin vaihdella, jos työkalua käytetään eri käyttötarkoituksiin, eri tarvikkeilla tai huonosti huollettuna. Mainitut olosuhteet saattavat nostaa altistumistasoa huomattavasti kokonaisytäjäkson aikana. Tärinän ja melun altistumistason arviointi tulisi ottaa huomioon myös silloin, kun työkalu on kytketty pois päältä tai kun se on käynnissä, mutta sitä ei varsinaisesti käytetä. Mainitut olosuhteet saattavat vähentää huomattavasti altistumistasoa kokonaisytäjäkson aikana.

Lisäturvatoimenpiteillä, kuten työkalun ja lisävarusteiden huoltamisella, käsien lämpimänä pitämisellä (tärinän tapauksessa) ja työmallien järjestämisellä, voit suojella käyttäjä tärinältä ja melulta.

(NO) ⚠️ **ADVARSEL**

De erklærte totale vibrasjonsverdiene og de erklærte støytstøpsverdiene gitt i denne brukerhåndboken har blitt målt i samsvar med en standardisert test og kan brukes til å sammenligne ett verktøy med ett annet. De kan brukes for en preliminær vurdering av eksponering.

De opplyste vibrasjons- og støytstøpsverdiene representerer verktøyet hovedbruksområder. Men hvis verktøyet brukes til ulike bruksområder, brukes med ulike tilbehør eller vedlikeholdet er dårlig, kan vibrasjons- og støytstøps være forskjellig. Disse forholdene kan øke eksponeringsnivået betraktelig i løpet av hele arbeidsperioden. En vurdering av eksponeringsnivået for vibrasjon og støy skal ta hensyn til de gangene verktøyet er slått av eller går på tomgang. Disse forholdene kan betydelig redusere eksponeringsnivået over den totale arbeidsperioden.

Identifiser ytterligere sikkerhetstiltak for å beskytte operatøren mot virkningene av vibrasjon og støy, slik som å vedlikeholde verktøyet og tilbehøret, holde hendene varme (i tilfelle vibrasjon) eller organisere arbeidsmønster.

(RU) ⚠️ **ОСТОРОЖНО!**

Заявленные данные о совокупном уровне вибрационного и шумового воздействия, указанные в настоящем руководстве, получены в ходе стандартизированных исследований и могут использоваться для сравнения инструментов. Могут применяться в рамках предварительной оценки степени воздействия.

Заявленный уровень вибрационного и шумового воздействия учитывает основные области применения инструмента. При этом, если инструмент используется иным образом, с другим оборудованием либо некачественно обслуживается, степень вибрационного и шумового воздействия может отличаться. В рамках всего периода эксплуатации эти условия могут способствовать значительному повышению уровня воздействия. Расчет уровня вибрационного и шумового воздействия должен также проводиться с учетом количества выключений инструмента и продолжительности работы на холостом ходу. В рамках всего периода эксплуатации эти условия могут способствовать значительному снижению уровня воздействия.

Обеспечьте дополнительные меры защиты оператора от воздействия вибрации и шума, например, техническое обслуживание инструмента и принадлежностей, поддержания температуры рук (в случае вибрации) и организации графика работ.

(PL) ⚠️ **OSTRZEŻENIE**

Podany w niniejszej instrukcji łączny poziom emisji wibracji zmierzony zgodnie ze znormalizowaną metodą testowania — może on być wykorzystywany do wzajemnego porównywania narzędzi. Można go wykorzystywać do wstępnej oceny narażenia.

Deklarowany poziom emisji wibracji i hałasu odpowiada głównym zastosowaniom narzędzia. Jeżeli jednak narzędzie będzie używane do innych zastosowań lub z innymi akcesoriami, bądź też jeśli będzie niewłaściwie konserwowane, poziom emisji wibracji i hałasu może się różnić. Warunki takie mogą doprowadzić do znaczącego wzrostu poziomu narażenia w całym okresie eksploatacji. Oszacowanie poziomu narażenia na wibracje i hałas powinno również uwzględniać okresy, w których narzędzie jest wyłączone bądź działa, ale nie jest wykorzystywane do pracy. Warunki takie mogą doprowadzić do znaczącego ograniczenia poziomu narażenia w całym okresie eksploatacji.

Należy zidentyfikować dodatkowe środki bezpieczeństwa mające na celu ochronę operatora przed skutkami wibracji i hałasu, takie jak konserwacja narzędzia i akcesoriów, utrzymywanie ciepła dłoni (w przypadku wibracji) oraz organizacja pracy.

(CS) ⚠️ **VAROVÁNÍ**

Deklarované celkové hodnoty vibrací a deklarované hodnoty hlučnosti uvedené v tomto návodu byly změněny standardizovanou zkoušební metodou a mohou být použity k porovnání jednoho mlohače s druhým. Mohou být použity k předběžnému posouzení vystavení vibračním a hluku.

Deklarované hodnoty vibrací a hlučnosti jsou vymezeny hlavními způsoby použití tohoto mlohače. Pokud je však mlohač používán jiným způsobem, s jiným příslušenstvím nebo při nedostatečné údržbě, úroveň vibrací a hluku se mohou lišit. Tyto podmínky mohou podstatně zvýšit úroveň vystavení vibračním a hluku za celou pracovní dobu. Při odhadu úrovně vystavení vibračním a hluku je nutné vzít v úvahu také dobu, kdy je mlohač vypnutý nebo běží nepříznově. Tyto podmínky mohou podstatně snížit úroveň vystavení vibračním a hluku za celou pracovní dobu.

K ochraně obsluhy před účinky vibrací a hluku určete další bezpečnostní opatření, například provádění údržby mlohače a příslušenství, udržování rukou v teple (v případě vibrací) a organizování pracovních cyklů.

(HU) ⚠️ **FIGYELMEZTETÉS**

A jelen használati kézikönyvben közölt rezgés- és zajkibocsátási értékeket szabványosított vizsgálat segítségével mértük, amelynek segítségével az eszközök egymással összehasonlíthatók. Ezek alkalmazhatóak a kitettség előzetes felmérésére is.

A megadott rezgés-kibocsátási és zajkibocsátási szint az eszköz fő alkalmazásait jelöli. Azonban ha az eszközt nem megfelelően tartják karban, különböző alkalmazásokra vagy eltérő tartozékokkal használják, akkor a rezgés- és zajkibocsátás változhat. Ezek a beavatkozások jelentősen növelhetik a kitettség szintet a teljes működési időtartam során. A rezgésnek és zajnak való kitettség szint becslést értékét akkor is figyelembe kell venni, amikor az eszköz ki van kapcsolva, vagy amikor csak tényleg jár. Ezek jelentősen csökkenthetik a kitettség szintet a teljes működési időtartam során.

A kezelő rezgés- és zajártalom elleni védelméhez tegyen meg további biztonsági intézkedéseket, mint pl. az eszköz és alkatrészei karbantartása, a kézi melegen tartása (rezgés esetén) és a munkavégzési folyamat megszervezése.

(RO) ⚠️ **AVERTISMENT**

Nivelul total al vibrațiilor și valorile emisiilor de zgomot declarate în acest manual cu instrucțiuni au fost măsurate în conformitate cu o metodă de testare standardizată și pot fi utile pentru compararea uneltelor între ele. Acestea pot fi utilizate pentru evaluarea preliminară a expunerii.

Valorile emisiilor de vibrație și de zgomot declarate sunt relevante pentru domeniul de utilizare al acestor unelte. Totuși, dacă unealta este utilizată în alte scopuri, cu alte accesorii sau este întreținută necorespunzător, nivelul vibrațiilor și al zgomotului poate fi diferit. În acest caz, nivelul de expunere total, pe parcursul întregii perioade de lucru, poate crește. O estimare a nivelului de expunere la vibrații și zgomot trebuie să țină cont și de numărul de porniri-oprirea, precum și de perioada în care unealta este oprită sau funcționează în gol. În acest caz, nivelul de expunere total, pe parcursul întregii perioade de lucru, poate fi mai mic.

Identificați măsuri de protecție suplimentare pentru protecția operatorului contra efectelor vibrațiilor și zgomotului, precum întreținerea uneltelor și a accesoriilor, menținerea mâinilor calde (în caz de vibrație) și organizarea de perioade de lucru.

LV ⚠ BRĪDINĀJUMS

Deklarētie kopējie vibrāciju līmeņi un deklarētie trokšņu izstarošanas līmeņi, kas norādīti šajā instrukcijā ir mērīti saskaņā ar standartizētajiem testiem, un var tikt izmantoti viena instrumenta salīdzināšanai ar citu. Tos var izmantot sākotnējai ietekmes novērtēšanai.

Deklarētās vibrāciju un trokšņu veidošanās vērtības atspoguļo galvenajam instrumenta pielietojumam. Tomēr, ja instrumenti tiek izmantoti citam pielietojumam, izmantoti ar citiem aksesuāriem, vai netiek pienācīgi kopīti, vibrāciju un trokšņu līmeņis var atšķirties. Šie apstākļi var būtiski palielināt ietekmes līmeņi visā darba laikā. Vibrāciju un trokšņu iedarbības līmeņa noteikšanai jāņem vērā arī laika posmi, kad instruments ir izslēgts, vai arī darbojas tukšgaitā. Šie apstākļi var būtiski samazināt ietekmes līmeņi visā darba laikā.

Nosakiet papildu drošības pasākumus, lai aizsargātu lietotāju no vibrācijas un trokšņu ietekmes, piemēram, veicot instrumenta un aprīkojuma apkopes, roku uzturēšana siltumā (vibrāciju gadījumā), vai organizējot darba grafiku.

LT ⚠ ĮSPĖJIMAS

Šioje naudojimo instrukcijoje nurodytos keliamos vibracijos vertės nustatytos atsižvelgiant į standartinį bandymo metodą, todėl jas galima palyginti su kitų elektrinių įrankių keliamo vibracija. Jos taip pat gali būti naudojami preliminariam vibracijos poveikiui įvertinti.

Deklaruojamos vibracijos ir skleidžiamo triukšmo vertės atspindi pagrindinius įrenginio taikymo būdus. Tačiau, jei šiuo įrenginiu atliekami kiti darbai, naudojant kitus priedus arba prastai prižiūrinamus priedus, keliamos vibracijos ir triukšmo vertės gali skirtis. Šiomis sąlygomis gali žymiai padidėti vibracijos poveikio lygiai per visą darbo laiką. Vėrtinant vibracijos ir triukšmo poveikio lygį per tam tikrą darbo laikotarpį, reikia atsižvelgti ne tik į laiką, kai įrenginys veikia, bet ir į tą laiką, kai įrenginys yra išjungtas, ir į laiką, kai jis veikia tuščiajia eiga be apkrovos. Šiomis sąlygomis gali žymiai sumažėti vibracijos poveikio lygis per visą darbo laiką.

Nustatykite papildomas saugos priemones, skirtas operatoriumi apsaugoti nuo vibracijos ir triukšmo poveikio, pvz., techniški prižiūrėti įrenginį ir priedus, laikykite rankas šiltai (vibracijos atveju) ir organizuokite darbo pamainas.

ET ⚠ HOIATUS

Käesolevas juhendis toodud vibratsioonitase ja deklareeritud müraemissiooni väärtused on mõeldud standardmeetodi järgi ja seda saab kasutada tööriistade omavaheliseks võrdlemiseks. Neid võib kasutada ka emissiooni esialgseks hindamiseks.

Deklareeritud vibratsiooni ja müraemissiooni väärtused kehtivad tööriista peamistele rakendustele. Kui aga tööriista kasutatakse muudeks töödeks, rakendatakse teisi tarvikuid või kui tööriista hoidlus pole piisav, võib vibratsiooni ja müraemissiooni tase kõhkuda. Need tingimused võivad emissiooni tööperioodi jooksul tunduvalt suurendada. Vibratsiooni ja müraemissiooni täpseks hindamiseks tuleb arvesse võtta ka aega, mil seade on välja lülitatud või sisse lülitatud, kuid tegelikult tööle rakendamata. Need tingimused võivad emissiooni tööperioodi jooksul tunduvalt vähendada.

Tehke kindlaks täiendavad ohutusmeetmed kasutaja kaitsmiseks vibratsiooni ja müra mõju eest: näiteks tööriista ja lisaseadmete hooldamine, käte soojas hoidmine (vibratsiooni korral) ja töökorraldus.

HR ⚠ UPOZORENJE

Deklarirane ukupne vrijednosti vibracija i deklarirane emisije buke navedene u ovom priručniku s uputama izmjereno su u skladu sa standardiziranim ispitnom metodom i mogu se koristiti za usporedbu jednog alata s drugim. Moguće ih je upotrijebiti za preliminarnu procjenu izlaganja.

Deklarirane vrijednosti razine emisije vibracija i buke predstavljaju glavne primjene alata. Međutim, ako se alat koristi za druge primjene, koristi s različitim dodacima ili ako se loše održava, emisija vibracija i buke se može razlikovati od navedene vrijednosti. Ti uvjeti mogu uzrokovati značajno povećanje razine izloženosti u ukupnom vremenu rada alatom. Procjena razine izloženosti vibracijama i buci također bi trebala uzeti u obzir i vrijeme u kojem je alat isključen ili radi u praznom hodu. Ti uvjeti mogu uzrokovati značajno smanjenje razine izloženosti u ukupnom vremenu rada alatom.

Utvrdite dodatne sigurnosne mjere za zaštitu rukovatelja od djelovanja vibracija i buke, kao što su održavanje alata i pribora, održavanje topline ruku (u slučaju vibracija) i organiziranje radnog vremena.

SL ⚠ OPOZORILO

Skupni vrednosti emisij vibracij i emisij hrupa, navedeni v tem priručniku, sta bili izmerjeni v skladu z metodo standardiziranega preskusa in se lahko uporabljata za medsebojno primerjavo orodja. Uporabljajo se lahko za predhodno oceno stopnje izpostavljenosti.

Navedeni vrednosti emisij vibracij in hrupa veljata za glavne namene uporabe orodja. Vendar, če se orodje uporablja v druge namene, z drugačnimi dodatki ali je slabo vzdrževano, sta lahko ravni emisij vibracij in hrupa drugačni. V teh pogojih se lahko stopnja izpostavljenosti v celotnem delovnem obdobju občutno zviša. V ocelli stopnje izpostavljenosti vibracijam in hrupu je treba upoštevati tudi obdobja, v katerih je orodje ugasnjeno oziroma teče, vendar ni v dejanski uporabi. V teh pogojih se lahko stopnja izpostavljenosti v celotnem delovnem obdobju občutno zniža.

Ugotovite dodatne varnostne ukrepe za zaščito uporabnika pred učinki vibracij in hrupa, kot je vzdrževanje orodja in dodatkov, ohranjanje toplih rok (v primeru vibracij) in organizacija delovnih vzorcev.

SK ⚠ VAROVANIE

Deklarované celkové hodnoty vibráci i deklarované hodnoty emisii hluku uvedené v tomto návode na obsluhu boli merané v súlade so štandardizovanou skúškou a môžu sa použiť na porovnanie jedného náradia s druhým. Môžu sa použiť na predbežné posúdenie expozície.

Deklarované hodnoty vibráci i emisii hluku sú pre hlavné použitia náradia. No ak sa náradie používa na iné aplikácie, v spojení s iným príslušenstvom alebo je jeho údržba nepostačujúca, emisie vibráci a hluku sa môžu líšiť. Tieto podmienky značne zvyšujú úroveň expozície počas celkovej pracovnej doby. Odhad úrovne expozície účinkom vibráci i hluku musí taktiež zohľadniť časy vypnutia náradia alebo ak beží na voľnobeh. Tieto podmienky môžu značne znížiť úroveň expozície počas celkovej pracovnej doby.

Identifikujte ďalšie bezpečnostné opatrenia na ochranu obsluhu pred účinkami vibráci i hluku, ako je napríklad udržiavanie náradia a príslušenstva, udržiavanie teplých rúk (v prípade vibrácií) a organizácia pracovných postupov.

BG ⚠ ВНИМАНИЕ

Декларираните общи стойности на излъчените вибрации и на шумовите емисии, посочени в настоящото ръководство, са измерени в съответствие със стандартизиран тестов метод и може да се използват за сравнение на един инструмент с друг. Те може да се използват за предварително оценяване на въздействието.

Декларираните стойности на излъчените вибрации и на шумовите емисии представляват основните приложения на инструмента. Въпреки това, ако инструментът се използва за различни приложения, с различни принадлежности или поддръжката му е некачествена, излъчените вибрации и шумовите емисии могат да се различават. Тези условия може значително да увеличат нивото на излагане през целия срок на работа. При оценяване на нивото на излагане на вибрации и шум също трябва да се вземе предвид колко пъти инструментът е бил изключван или колко пъти е работил на празен ход. Тези условия може значително да намалят нивото на излагане през целия срок на работа.

Определете допълнителни мерки за предпазване на оператора от ефектите от вибрациите и шума, като например поддръжане на инструментa и аксесоарите, поддръжане на ръцете топли (в случай на вибрации), организация на моделите за работа.

UK ⚠ ПОПЕРЕДЖЕННЯ

Значення вібрації та шуму, наведені в цьому керівництві, вимірювалися відповідно до стандартизованого методу виробництва та можуть бути використані для порівняння одного інструменту з іншим. Ними можна користуватися для попередньої оцінки впливу.

Наведені значення виміряно при стандартній експлуатації виробу. Утім якщо виріб використовуватися для інших цілей, з іншими додатковими пристосуваннями або ж не проходити належного обслуговування, рівні вібрації та шуму можуть відрізнятися від зазначених. Як наслідок, рівні впливу вирободж загального робочого часу можуть значно збільшитися. При оцінці рівнів впливу вібрації та шуму слід враховувати періоди, коли виріб вимкнений або працює на холостих обертах. Як наслідок, рівні впливу вирободж загального робочого часу можуть значно зменшитися.

Дотримуйтеся додаткових заходів, які можуть захистити оператора від впливу вібрації та шуму: підтримуйте пристрій та додаткові пристосування у належному стані, слідуйте, щоби руки залишалися теплими (при вібрації), та продумайте графік роботи.

TR ⚠ UYARI

Bu kullanım kılavuzunda verilen toplam titreşim değerleri ve gürültü emisyonu değerleri standartlaştırılmış bir teste göre ölçülmüştür ve bir aleti diğeryle karşılaştırmak için kullanılabılır. Maruz kalınan önceden değerlendirilmesi için kullanılabılır.

Verilen edilen titreşim ve gürültü emisyonu değerleri aletin ana uygulamalarını temsil eder. Ancak, alet farklı uygulamalar için kullanılıyorsa, farklı aksesuarlarla kullanılıyorsa ve bakımı yapılmıyorsa, titreşim ve gürültü emisyonu değışiklik gösterebilir. Bu koşullar toplam çağışma süresi genelindeki maruz kalma düzeylerini önemli oranda artırabilir. Titreşim ve gürültüye maruz kalma seviyesinin tahmininde aletin kapatıldığı veya beşta çağıştıđı süreler dikkate alınmalıdır. Bu koşullar toplam çağışma süresi boyunca maruz kalma seviyesini önemli oranda azaltabilir.

Kullanılan kişiyi titreşimin ve gürültünün etkilerinden korumak için aletin ve aksesuarların bakımını yapmak, (titreşim halinde) elleri sıcak tutmak ve çağışma modelleri organize etmek gibi ilave güvenliğin önlemlerini tanımlayın.

EN RYOBI® WARRANTY APPLICATION CONDITIONS

In addition to any statutory rights resulting from the purchase, this product is covered by a warranty as stated below.

- The warranty period is 24 months for consumers and commences on the date when the product was purchased. This date has to be documented by an invoice or other proof of purchase. The product is designed and dedicated to consumer and private use only. So there is no warranty provided in case of professional or commercial use. This warranty applies only on new products.
- There is a possibility to extend for a part of the range of power tools (AC/DC) the warranty period over the period described above using the registration on the www.ryobitools.eu website. The eligibility of products for extended warranty is clearly displayed in stores and / or on packaging and is contained within the product documentation. The end user is required to register his/her newly-acquired products online within 30 days from the date of purchase. The end user may register for the extended warranty in his/her country of residence if listed on the online registration form where this option is valid. Furthermore, end users must give their consent to the storage of their personal data that is required to be entered online. They must also accept the terms and conditions. The registration confirmation receipt, which is sent out by e-mail, and the original invoice showing the date of purchase will serve as proof of the extended warranty.
- The warranty covers all defects of the product during the warranty period due to faults in workmanship or material at the purchase date. The warranty is limited to repair and/or replacement and does not include any other obligations including but not limited to incidental or consequential damages. The warranty is not valid if the product has been misused, used contrary to the instruction manual, or has been incorrectly connected to a power supply. This warranty does not apply to:
 - any damage to the product that is the result of improper or lack of maintenance
 - any product that has been altered or modified
 - any product where original identification (trade mark, serial number) markings have been defaced, altered or removed
 - any damage caused by non-observance of the instruction manual
 - any product not displaying the CE approval mark on the rating plate
 - any product that has been attempted to be repaired by a non-authorised warranty service centre or without prior authorisation by Techtronic Industries
 - any product connected to improper power supply (amps, voltage, frequency)
 - any product used with inappropriate fuel mixture (fuel, oil, ratio of oil/ fuel mixture)
 - any damage caused by external influences (water, chemical, physical, shocks) or foreign substances
 - normal wear and tear spare parts
 - inappropriate use, overloading of the tool
 - use of non-approved accessories or parts
 - Accessories provided with the tool or purchased separately including but not limited to blades, saw chains, cutting lines, etc.
 - Any periodic adjustments to or maintenance cleaning of carburetors
 - Components (parts and accessories) subject to natural wear and tear, including but not limited to bump knobs, drive belts, clutch, blades of hedge trimmers or lawn mowers, harness, cable throttle, carbon brushes, power cord, tines, felt washers, hitch pins, blower fans, blower and vacuum tubes, vacuum bag and straps, guide bars, saw chains, hoses, connector fittings, spray nozzles, wheels, spray wands, inner reels, outer spools, cutting lines, spark plugs, air filters, gas filters, mulching blades, etc.
- For servicing, the product must be sent or presented to a RYOBI authorised service station listed for each country in the following list of service station addresses. In some countries your local RYOBI dealer undertakes to send the product to the RYOBI service organisation. When sending a product to a RYOBI service station, the product should be safely packed without any dangerous contents such as petrol, marked with sender's address and accompanied by a short description of the fault.
- A repair / replacement under this warranty is free of charge. It does not constitute an extension or a new start of the warranty period. Exchanged parts or products become our property. In some countries delivery charges or postage will have to be paid by the sender. Your statutory rights arising from the purchase of the product remain unaffected.
- This warranty is valid in the European Community, Switzerland, Iceland, Norway, Liechtenstein, Turkey, Russia, and the United Kingdom. Outside these areas, please contact your authorised RYOBI dealer to determine if another warranty applies.

AUTHORISED SERVICE CENTRE

Any request or issue with the product can be addressed to your local authorised service centres (visit www.ryobitools.eu) or directly to: Techtronic Industries GmbH, Max Eyth Straße 10, 71364 Winnenden, Germany. Please state the serial number and product type printed on the label.

FR RYOBI® CONDITIONS D'APPLICATION DE LA GARANTIE

En plus des droits statutaires liés à l'achat, ce produit est couvert par une garantie telle que décrite ci-dessous.

- La durée de la garantie accordée au consommateur est de 24 mois à partir de la date d'achat. Cette date doit être authentifiée par une facture ou tout autre preuve d'achat. Le produit a été conçu en vue d'une utilisation strictement privée. Aucune garantie ne s'applique donc en cas d'utilisation professionnelle ou commerciale.
- Il existe pour une partie de la gamme « jardin » (AC/DC), une possibilité d'étendre la période de garantie au-delà de la période précédemment décrite en utilisant le formulaire d'enregistrement présent sur le site Internet www.ryobitools.eu. L'éligibilité d'un outil est clairement affichée dans les points de vente et/ou sur l'emballage et la documentation. L'utilisateur final doit enregistrer son/ses outil(s) nouvellement acheté(s) en ligne dans les 30 jours qui suivent la date d'achat. L'utilisateur a la possibilité de s'enregistrer pour l'extension de garantie dans son pays de résidence si celui-ci est listé dans le formulaire d'enregistrement en ligne où cette option est valide. L'utilisateur final doit donner son consentement pour l'enregistrement des données requises pour accéder au site et doit accepter les termes et conditions. La confirmation d'enregistrement, envoyée par courrier électronique, ainsi que la facture originale mentionnant la date d'achat serviront de preuve de l'extension de garantie.
- La garantie couvre pendant la période de garantie les défauts des produits liés à la fabrication et aux matériaux à la date d'achat. La garantie est limitée à la réparation et/ou au remplacement et n'inclut aucune autre obligation, tel que, mais sans s'y limiter, les dommages accessoires ou indirects. La garantie est non valable en cas de mauvaise utilisation du produit, d'utilisation contraire aux instructions du mode d'emploi, ou en cas de branchement incorrect. Cette garantie ne s'applique pas pour :
 - tout dommage au produit résultant d'un mauvais entretien
 - tout produit ayant été altéré ou modifié
 - tout produit dont les marquages originaux d'identification (marque, numéro de série) ont été dégradés, altérés ou retirés
 - tout dommage causé par le non-respect des instructions du mode d'emploi
 - tout produit non CE
 - tout produit ayant subi une tentative de réparation par du personnel non qualifié ou sans autorisation préalable de Techtronic Industries
 - tout produit raccorder à une alimentation secteur non conforme (ampérage, voltage, fréquence)
 - tout produit utilisé avec un mélange inapproprié (essence, huile, pourcentage d'huile)
 - tout dommage causé par des influences extérieures (chimiques, physiques, chocs) ou par des substances étrangères
 - l'usure normale des pièces consommables
 - une utilisation inappropriée, une surcharge de l'outil
 - l'utilisation de pièces ou accessoires non agréés
 - Tout réglage périodique ou tout nettoyage de maintenance des carburateurs
 - les composants (pièces et accessoires) sujets à une usure naturelle, incluant de façon non exhaustive les têtes de fil à frapper, les courroies de transmission, les embrayages, les lames des taille-haies ou des tondeuses à gazon, les harnais, les câbles d'accélérateur, les charbons, les cordons d'alimentation, les fraises de cultivateurs, les rondelles feutre, les goupilles de fraise, les turbines et lame de broyage des souffleurs, les tubes de soufflage et d'aspiration des souffleurs, les sacs de souffleurs et leurs lanières, les guides-chaîne, les chaînes de tronçonneuses, les tuyaux et raccords, les buses et lances de nettoyeurs haute pression, les roues, les recharges de fil des têtes de coupe, les têtes de coupe, le fil de coupe, les bougies d'allumage, les filtres à air, les filtres à essence, etc.
- Si le produit doit être réparé, envoyez-le à un service après-vente agréé RYOBI dont vous trouverez ci-dessous la liste pour chaque pays. Dans certains pays, votre revendeur RYOBI se chargera d'envoyer le produit à un centre de réparation RYOBI. Lorsque vous envoyez un produit à un service après-vente RYOBI, celui-ci doit être correctement emballé, sans contenir aucun produit dangereux tel que de l'essence, et vous devez indiquer votre adresse ainsi qu'une courte description du problème.
- Une réparation / un remplacement sous garantie est gratuit(e). Ceci ne constituera pas une extension de garantie ni un nouveau départ de la période de garantie. Les pièces ou les outils remplacés deviennent notre propriété. Dans certains pays, les frais de port devront être assumés par l'expéditeur. Vos droits statutaires restent inchangés.
- Cette garantie est valable dans la Communauté européenne, la Suisse, l'Islande, la Norvège, le Liechtenstein, la Turquie, la Russie et le Royaume-Uni. En dehors de ces zones, veuillez contacter votre distributeur agréé RYOBI pour déterminer si une autre garantie s'applique.

SERVICE APRÈS-VENTE AGRÉÉ

Toute demande ou tout problème concernant le produit peut être transmis à votre centre de réparation agréé local (consultez www.ryobitools.eu) ou directement à : Techtronic Industries GmbH, Max Eyth Straße 10, 71364 Winnenden, Germany. Veuillez mentionner le numéro de série et le type de produit imprimés sur l'étiquette.

DE RYOBI® GARANTIEBEDINGUNGEN

Zusätzlich zu den gesetzlichen Rechten aus dem Kauf gilt für dieses Produkt die nachstehend aufgeführte Garantie.

- Der Garantiezeitraum beträgt für Verbraucher 24 Monate und beginnt mit dem Datum des Kaufs. Dieses Datum muss durch eine Rechnung oder einen anderen Kaufbeleg dokumentiert werden. Dieses Produkt wurde ausschließlich zur privaten Nutzung durch Verbraucher entwickelt. Für den Fall einer professionellen bzw. kommerziellen Nutzung besteht daher keine Garantie.
- Es besteht die Möglichkeit, für einen Teil des Sortiments der Gartenwerkzeuge (AC/DC) den Garantiezeitraum über den oben genannten Zeitraum hinaus zu verlängern, indem der Verbraucher die Registrierung auf der Website www.ryobitools.eu durchführt. Die Berechtigung der Werkzeuge für die Garantieverlängerung ist deutlich im Geschäft und/oder auf der Verpackung beschrieben und in der Produktdokumentation erwähnt. Der Verbraucher muss das neu erworbene Gerät online innerhalb von 30 Tagen ab dem Kaufdatum registrieren. Der Verbraucher kann das Gerät zwecks Garantieverlängerung in seinem Wohnsitzland/Heimatland registrieren, wenn dieses Land auf dem Online-Registrierungsformular aufgeführt ist und die Option gültig ist. Darüber hinaus muss der Verbraucher seine Zustimmung zur Speicherung der Daten geben, die online eingegeben werden müssen, und er muss die allgemeinen Geschäftsbedingungen akzeptieren. Die Bestätigung der Registrierung, die per E-Mail versandt wird, und die Originalrechnung mit dem Kaufdatum gelten als Beleg für die Garantieverlängerung.
- Die Garantie deckt alle Defekte des Geräts während des Garantiezeitraums ab, die auf zum Zeitpunkt des Kaufs bestehende Verarbeitungs- oder Materialfehler zurückzuführen sind. Die Garantie beschränkt sich auf Reparatur und/oder Ersatz und beinhaltet keine anderen Verpflichtungen, insbesondere keinen Schadenersatz für Folge- oder Nebenschäden. Die Garantie gilt nicht, wenn das Gerät fehlerhaft eingesetzt wurde, gegenseitlich zur Bedienungsanleitung eingesetzt wurde oder falsch angeschlossen wurde. Die Garantie gilt nicht für Folgendes:
 - Schäden am Gerät, die auf unkorrekte Wartung zurückzuführen sind
 - Geräte, an denen Veränderungen vorgenommen wurden
 - Produkte, bei denen die ursprüngliche Identifizierung (Handelsmarke, Seriennummer) unleserlich gemacht, verändert oder entfernt wurde
 - Schäden durch Nichtbeachtung der Bedienungsanleitung
 - nicht-CE-zertifizierte Geräte
 - Geräte, an denen durch nicht-qualifizierte Personen oder ohne vorherige Genehmigung von Techtronic Industries Reparaturversuche vorgenommen wurden
 - Geräte, die an unkorrekte Energiequellen (Ampere, Volt, Frequenz) angeschlossen wurden
 - Geräte, die mit einer fehlerhaften Treibstoffmischung (Treibstoff, Öl, Ölanteil) betrieben wurden
 - Schäden durch äußere Einflüsse (chemisch, physisch, Stöße) oder Fremdstoffe
 - normaler Verschleiß von Ersatzteilen
 - unangemessene Nutzung, Überlastung des Geräts
 - Nutzung nicht genehmigter Zubehörteile oder Ersatzteile
 - Regelmäßige Einstellung oder Wartungsreinigung des Vergasers
 - Komponenten (Ersatzteile und Zubehörteile), die natürlichem Verschleiß unterliegen, einschließlich, aber nicht begrenzt auf Service- und Wartungssets, Kohlebürsten, Lager, Spannvorrichtungen, SDS-Bohreraufnahme /Bit-Adapter, Netzkabel, Zusatzhandgriff, Transportkoffer, Schleifplatten, Staubbeutel, Staubabführungen, Filzunterlegscheiben, Bolzen und Federn von Schlagschraubern, einschließlich, aber nicht beschränkt auf Fadenzöpfe, Antriebsriemen, Kupplungen, die Klängen von Heckenscheren oder Rasenmähern, Kabelstränge, Gaszüge, Zinken, Steckbolzen, Lüfter, Saug- und Gebläserohre oder Düsen, Fangsäcke und Gurte, Führungsschienen, Sägeketten, Schläuche, Verbinder, Sprühdüsen, Räder, Sprühstäbe, innere Rollen, äußere Spulen, Schneidfäden, Zündkerzen, Luftfilter, Benzin/- Ölfilter, Häcksel- Messer usw.
- Zum Service muss das Gerät zu einer von RYOBI autorisierten Servicestation gebracht oder dorthin geschickt werden. Die Servicestationen für die einzelnen Länder sind in der folgenden Liste aufgeführt. In einigen Ländern sendet Ihr RYOBI-Händler vor Ort das Gerät an das RYOBI-Serviceunternehmen. Beim Einsenden an die RYOBI-Servicestation sollte das Gerät sicher verpackt sein, ohne gefährliche Inhalte wie Benzin, und es sollte mit der Adresse des Absenders und einer kurzen Beschreibung des Fehlers versehen sein.
- Eine Reparatur bzw. ein Ersatz gemäß dieser Garantie ist kostenlos. Hieraus ergibt sich weder eine Garantieverlängerung noch der Beginn eines neuen Garantiezeitraums. Die ausgetauschten Ersatzteile oder Werkzeuge gehen in unser Eigentum über. In einigen Ländern müssen die Zustellgebühren oder die Versandkosten vom Absender gezahlt werden. Ihre gesetzlichen Rechte aus dem Kauf des Geräts bleiben hiervon unberührt.
- Diese Garantie ist gültig in der Europäischen Gemeinschaft, der Schweiz, Island, Norwegen, Liechtenstein, der Türkei, Russland und dem Vereinigten Königreich. Bitte wenden Sie sich außerhalb dieser Gebiete an Ihren autorisierten RYOBI-Händler, um festzustellen, ob eine andere Garantie gilt.

AUTORISIERTER KUNDENDIENST

Bitte wenden Sie sich bei Fragen zum oder Problemen mit dem Gerät an das örtliche autorisierte Servicecenter (siehe www.ryobitools.eu) oder direkt an: Techtronic Industries GmbH, Max Eyth Straße 10, 71364 Winnenden, Germany. Bitte geben Sie die Seriennummer und den auf dem Typenschild aufgedruckten Gerätetyp an.

ES CONDICIONES DE APLICACIÓN DE LA GARANTÍA DE RYOBI®

Además de cualquier derecho legal derivado de la compra, este producto está cubierto por una garantía que se indica a continuación.

- El periodo de garantía es de 24 meses para consumidores y comienza en la fecha en que se comprara el producto. Dicha fecha debe documentarse con una factura u otro comprobante de compra. El producto está diseñado y concebido únicamente para el uso privado del consumidor. Por lo tanto, no se ofrece garantía en caso de uso profesional o comercial.
- Existe la posibilidad de ampliar el periodo de garantía respecto a una parte de la gama de herramientas de jardinería (CA/CC) durante el periodo descrito más arriba y mediante el registro en el sitio web www.ryobitools.eu. La elegibilidad de las herramientas para que se amplie el periodo de garantía se muestra claramente en las tiendas o en el embalaje y está incluida en la documentación del producto. El usuario final tiene que registrar en línea sus herramientas recientemente adquiridas en un plazo de 30 días a partir de la fecha de compra. El usuario final podrá registrarse para obtener la garantía ampliada en su país de residencia si este aparece en la lista del formulario de registro en línea cuando esta opción sea válida. Además, los usuarios finales deberán dar su consentimiento al almacenamiento de los datos necesarios para el acceso en línea y tienen que aceptar los términos y condiciones. El recibo de confirmación de registro, que se envía por correo electrónico, y la factura original que muestra la fecha de compra servirán como comprobante para la garantía ampliada.
- La garantía cubre todos los defectos del producto durante el periodo de garantía debido a fallos de mano de obra o material en la fecha de compra. La garantía se limita a la reparación o sustitución y no incluye ninguna otra obligación como, por ejemplo, daños accidentales o consecuentes. La garantía no es válida si se ha usado mal el producto, se ha usado contraviniendo el manual de instrucciones o se ha conectado de forma incorrecta. Esta garantía no es aplicable a:
 - ningún daño en el producto que sea consecuencia de un mantenimiento inadecuado
 - ningún producto que haya sido alterado o modificado
 - ningún producto en el que los marcados de identificación originales (marca comercial, número de serie) se hayan borrado, modificado o eliminado
 - ningún daño provocado por no seguir el manual de instrucciones
 - ningún producto que no sea CE
 - ningún producto que haya sufrido un intento de reparación por parte de un profesional no cualificado o sin la autorización previa de Techtronic Industries.
 - ningún producto conectado a un suministro eléctrico inadecuado (amperios, voltaje, frecuencia)
 - ningún producto usado con una mezcla de combustible inadecuada (combustible, aceite, porcentaje de aceite)
 - ningún daño causado por influencias externas (químicas, físicas, impactos) o sustancias extrañas
 - desgaste normal de piezas de repuesto
 - uso inadecuado, sobrecarga de la herramienta
 - uso de accesorios o piezas no aprobados
 - Cualquier ajuste periódico o limpieza de mantenimiento de los carburadores
 - Componentes (piezas y accesorios) sujetos al desgaste natural incluyendo, entre otros, pomos de golpes, correas de transmisión, embragues, cuchillas de cortasetos o cortacésped, arneses, cable del acelerador, escobillas de carbono, cables eléctricos, púas, discos de filtro, pasadores de enganche, ventiladores de soplador, tubos de aspiración y de soplado, bolsas y correas de aspiración, barras guías, cadenas de sierra, mangueras, herrajes de conectores, boquillas pulverizadoras, ruedas, lanzas pulverizadoras, bobinas interiores, carretes exteriores, líneas de corte, bujías, filtros de aire, filtros de gas, cuchillas de compostaje, etc.
- Para su mantenimiento, el producto debe enviarse o presentarse a una estación de servicio de RYOBI autorizada que figure en la siguiente lista de direcciones de estaciones de servicio por países. En algunos países, su distribuidor RYOBI local se responsabiliza de enviar el producto a la compañía de servicio de RYOBI. Cuando se envíe un producto a una estación de servicio de RYOBI, este debe estar empaquetado de forma segura sin contenidos peligrosos como gasolina, marcado con la dirección del remitente y acompañado de una breve descripción del fallo.
- Una reparación / sustitución con esta garantía es gratuita. No constituye una ampliación ni un nuevo comienzo del periodo de garantía. Las piezas o herramientas intercambiadas pasan a ser de nuestra propiedad. En algunos países, los gastos de envío o correo tendrá que pagarlos el remitente. Sus derechos legales derivados de esta compra de la herramienta no se verán afectados.
- Esta garantía es válida en la Comunidad Europea, Suiza, Islandia, Noruega, Liechtenstein, Turquía, Rusia y el Reino Unido. Fuera de estas zonas, póngase en contacto con su distribuidor de RYOBI autorizado para determinar si es aplicable otra garantía.

SERVICIO TÉCNICO AUTORIZADO

Cualquier solicitud o problema relacionado con el producto se puede remitir a su centro de servicio autorizado local (visite www.ryobitools.eu) o directamente a: Techtronic Industries GmbH, Max Eyth Straße 10, 71364 Winnenden, Germany. Indique el número de serie y el tipo de producto que aparecen impresos en la etiqueta.

IT CONDIZIONI DI VALIDITÀ DELLA GARANZIA RYOBI®

In aggiunta ai diritti di legge risultanti dall'acquisto, il prodotto è coperto dalla garanzia sotto descritta.

1. Il periodo di garanzia è di 24 mesi per i consumatori, a decorrere dalla data di acquisto del prodotto. La data deve essere documentata da una fattura o altra prova d'acquisto. Il prodotto è progettato e destinato solo all'utilizzo privato dei consumatori. Pertanto non viene fornita alcuna garanzia in caso di uso professionale o commerciale.
2. Per una serie di utensili da giardino (CA/CC) è possibile prolungare il periodo di garanzia oltre quello descritto, registrandosi sul sito web www.ryobitools.eu. Gli utensili per i quali è possibile prolungare il periodo di garanzia sono chiaramente indicati nei negozi e/o sulle confezioni e nella documentazione dei prodotti. L'utente deve registrare online l'utensile acquistato entro 30 giorni dalla data di acquisto. L'utente può registrarsi per la garanzia prolungata nel proprio paese di residenza, se questo è elencato nel modulo di registrazione online dove questa opzione sia valida. Inoltre gli utenti devono fornire il proprio consenso alla conservazione dei dati da immettere online e devono accettare le condizioni generali. La conferma di registrazione, inviata tramite e-mail, e la fattura originale indicante la data di acquisto, costituiranno la prova della garanzia prolungata.
3. La garanzia copre tutti i difetti del prodotto durante il periodo di garanzia, risultati da manodopera o materiali alla data di acquisto. La garanzia è limitata alla riparazione e/o sostituzione e non include alcun altro obbligo quali, a mero titolo esemplificativo, i danni incidentali o consequenziali. La garanzia non è valida se il prodotto è stato usato scorrettamente, in modo contrario al manuale di istruzioni o se è stato collegato in modo errato. La garanzia non è valida per:
 - qualsiasi danno al prodotto dovuto a manutenzione errata;
 - qualsiasi prodotto che sia stato alterato o modificato;
 - qualsiasi prodotto le cui marcature di identificazione originali (marchi di fabbrica, numero di serie) siano state cancellate, alterate o rimosse;
 - qualsiasi danno causato dalla non osservanza delle istruzioni del manuale;
 - qualsiasi prodotto privo di omologazione CE;
 - qualsiasi prodotto che sia stato sottoposto a un tentativo di riparazione da parte di un professionista non qualificato oppure senza la propria autorizzazione di Techtronic Industries;
 - qualsiasi prodotto collegato a un'alimentazione errata (per amperage, tensione, frequenza);
 - qualsiasi prodotto usato con una miscela di carburante errata (carburante, olio, percentuale di olio);
 - qualsiasi danno causato da influenze esterne (chimiche, fisiche, urti) o sostanze estranee;
 - la normale usura delle parti di ricambio;
 - uso inappropriato, sovraccarico dell'utensile;
 - uso di accessori o parti non omologate;
 - qualsiasi regolazione periodica o pulizia di manutenzione dei carburatori;
 - componenti (parti e accessori) soggetti alla normale usura compresi, a mero titolo esemplificativo, testine a filo, cinghie di trasmissione, frizioni, lame di tagliasièpi o tagliaerba, imbragature, cavi di accelerazione, spazzole al carbonio, cavi di alimentazione, denti, rondelle di feltro, perni di aggancio, ventole dei soffiatori, tubi di soffiatori e aspiratori, sacchetti e cinghie per aspirapolvere, barre guida, catene per seghe, tubi, raccordi di connessione, ugelli di spruzzo, ruote, erogatori, lamine interne ed esterne, linee di taglio, candele, filtri dell'aria, filtri del gas, lame per mulching ecc.
4. Per la manutenzione il prodotto dev'essere spedito o portato presso uno dei centri assistenza autorizzati RYOBI elencati per ogni paese nel seguente elenco di indirizzi dei centri. In alcuni paesi il rivenditore locale RYOBI si incarica di inviare il prodotto all'organizzazione di assistenza RYOBI. Quando si invia un prodotto a un centro assistenza RYOBI, imballarlo in modo sicuro senza contenuti pericolosi come la benzina, apporre l'indirizzo del mittente e accompagnarlo da una breve descrizione del guasto.
5. La riparazione/sostituzione ai sensi della presente garanzia è gratuita. Non costituisce un prolungamento o un nuovo inizio del periodo di garanzia. Le parti o gli utensili scambiati diventano di nostra proprietà. In alcuni paesi i costi di consegna o di spedizione postale devono essere pagati dal mittente. I diritti di legge derivanti dall'acquisto dell'utensile rimangono inalterati.
6. La presente garanzia è valida in Comunità Europea, Svizzera, Islanda, Norvegia, Liechtenstein, Turchia, Russia e Regno Unito. Al di fuori di tali aree contattare il rivenditore autorizzato RYOBI per sapere se è valida un'altra garanzia.

CENTRO SERVIZI AUTORIZZATO

Qualsiasi richiesta o problema con il prodotto può essere indirizzato ai centri di assistenza autorizzati locali (visitare www.ryobitools.eu) o direttamente a: Techtronic Industries GmbH, Max Eyth Straße 10, 71364 Winnenden, Germany. Si prega di indicare il numero di serie e il tipo di prodotto stampati sull'etichetta.

NL RYOBI® GARANTIEVOORWAARDEN

Naast de wettelijke rechten die voortvloeien uit de aankoop, wordt dit product gedekt door een garantie, zoals hieronder staat vermeld.

1. De garantietermijn voor consumenten bedraagt 24 maanden en gaat in op de datum waarop het product is gekocht. Deze datum moet worden gedocumenteerd met een factuur of een ander aankoopbewijs. Het product is uitsluitend ontworpen en bedoeld voor persoonlijk gebruik door consumenten. Er wordt dus geen garantie gegeven voor professioneel of commercieel gebruik.
2. Voor een deel van ons aanbod van tuingeredschappen (AC/DC) is het mogelijk om de garantietermijn te verlengen over de boven beschreven termijn, met behulp van de website www.ryobitools.eu. De gereedschappen die in aanmerking komen voor de verlenging van de garantietermijn wordt duidelijk weergegeven in winkels en/of verpakkingen en staat beschreven in de productdocumentatie. De eindgebruiker moet zijn/haar nieuw gekochte gereedschappen binnen 30 dagen na aankoop online registreren. De eindgebruiker kan zich registreren voor de verlengde garantietermijn als zijn woonland staat vermeld op het online registratieformulier waar deze optie geldig is. Bovendien moeten eindgebruikers toestemming geven voor de opslag van de gegevens die online ingevuld moeten worden en moeten ze de algemene voorwaarden accepteren. Het ontvangstbewijs van de registratie, dat per e-mail wordt verzonden en de oorspronkelijke factuur met de aankoopdatum vormt het bewijs van de verlengde garantietermijn.
3. De garantie dekt tijdens de garantietermijn alle gebreken van het product vanwege defecten in vakmanschap of materiaal op de aankoopdatum. De garantie is beperkt tot reparatie en/of vervanging en bevat geen andere verplichtingen, waaronder maar niet beperkt tot incidentele of gevolgschade. De garantie is niet geldig als het product is misbruikt, in strijd met de gebruiksaanwijzing wordt gebruikt of onjuist is aangesloten. Deze garantie geldt niet voor:
 - alle schade aan het product die het gevolg is van onjuist onderhoud
 - elk product dat is veranderd of aangepast
 - elk product waar de oorspronkelijke identificatie (handelsmerk, serienummer) is beschadigd, gewijzigd of verwijderd
 - alle schade die is veroorzaakt door het niet opvolgen van de gebruiksaanwijzing
 - elk niet-CE-product
 - elk product waar een poging tot reparatie is gedaan door een niet-erkende professional of zonder voorafgaande toestemming door Techtronic Industries.
 - elk product dat is verbonden met een verkeerde voeding (amperage, spanning, frequentie)
 - elk product dat wordt gebruikt met een verkeerd brandstofmengsel (brandstof, olie, oliegehalte)
 - alle schade die is veroorzaakt door externe invloeden (chemisch, fysisch, schokken) of vreemde stoffen
 - normale slijtage van reserveonderdelen
 - ongepast gebruik, overbelasting van het gereedschap
 - gebruik van niet-goedgekeurde accessoires of onderdelen
 - Alle periodieke aanpassingen aan of het onderhoud en reiniging van carburateurs
 - Componenten (onderdelen en accessoires) die onderhevig zijn aan natuurlijke slijtage, waaronder maar niet beperkt tot stootknoppen, aandrijfriemen, koppelingen, messen van hegtrimmers of grasmaaiers, hamas, gaskabel, koolstofborstels, stroomsoeren, tanden, viltringen, koppelingsspijnen, blazers, blaas- en zuigbuizen, zuigzakken en -riemen, geleidingsstaven, zaagkettingen, slangen, koppelingen, mondstukken, wielen, spuitstukken, binnenhaspels, buitenhaspels, snijdraden, bougies, luchtfilters, gasfilters, maaimessen, etc.
4. Voor onderhoud moet het product worden verzonden of gebracht naar een erkend servicecenter van RYOBI die voor elk land staan vermeld in de volgende lijst met adressen voor servicecenters. In sommige landen zal uw lokale RYOBI-dealer het product verzenden naar de RYOBI-serviceorganisatie. Wanneer u het product naar een servicecenter van RYOBI verzendt, moet het product veilig worden verpakt zonder enige gevaarlijke inhoud, zoals benzine, met het adres van de afzender en vergezeld van een korte beschrijving van het defect.
5. Een reparatie/vervanging die onder deze garantie valt is gratis. Het vormt geen verlenging of een nieuwe start van de garantietermijn. Vervisselde onderdelen of gereedschappen worden ons eigendom. In sommige landen moeten de verzendkosten door de afzender worden betaald. Uw wettelijke rechten die voortvloeien uit de aankoop van het gereedschap blijven onaangetaast.
6. Deze garantie is geldig binnen de Europese Gemeenschap, Zwitserland, IJsland, Noorwegen, Liechtenstein, Turkije, Rusland en het Verenigd Koninkrijk. Buiten deze gebieden moet u contact opnemen met uw erkende RYOBI-dealer om vast te stellen of er een andere garantie van toepassing is.

GEAUTORISEERD ONDERHOUDSCENTRUM

Elk verzoek of probleem met het product kan worden gericht aan uw lokale geautoriseerde servicecenter (bezoek www.ryobitools.eu) of rechtstreeks aan: Techtronic Industries GmbH, Max Eyth Straße 10, 71364 Winnenden, Germany. Vermeld het serienummer en het type product dat op het etiket staat.

PT CONDIÇÕES DE APLICAÇÃO DA GARANTIA RYOBI®

Para além de quaisquer direitos previstos por lei resultantes da compra, este produto está coberto por uma garantia conforme descrição abaixo.

- O período da garantia é de 24 meses para consumidores particulares e inicia-se na data de compra do produto. Esta data tem de ser documentada por uma factura ou por outra prova de compra. O produto foi concebido para e destina-se apenas a consumidores particulares e uso privado. Assim, não é dada garantia em caso de utilização por profissionais ou uso comercial.
- Para uma parte da gama de ferramentas de jardim (AC/DC) existe a possibilidade de prolongamento do período da garantia para além do período descrito acima, mediante registo no Web site www.ryobitools.eu. A elegibilidade das ferramentas para prolongamento do período da garantia é claramente visível nas lojas e/ou nas embalagens e está contida na documentação do produto. O utilizador final tem de fazer o registo online das suas ferramentas recém-adquiridas no prazo de 30 dias após a data de compra. O utilizador final pode fazer o registo para prolongamento da garantia no seu país de residência, desde que esteja listado no formulário de registo online e para os casos em que esta opção seja válida. Para além disso, os utilizadores finais têm de autorizar o armazenamento dos dados cujo preenchimento lhes for solicitado online e têm de aceitar os termos e as condições. O recibo de confirmação do registo é enviado por e-mail e, em conjunto com a factura original ostentando a data de compra, servirá de prova do prolongamento da garantia.
- A garantia cobre todos os defeitos do produto durante o período da garantia devidos a defeitos de fabrico ou de material à data da compra. A garantia está limitada à reparação e/ou substituição e não inclui quaisquer outras obrigações, incluindo mas não se limitando a, perdas complementares ou indirectas. A garantia não é válida se o produto tiver sido utilizado incorretamente, utilizado de forma contrária ao Manual de Instruções ou se as respectivas ligações tiverem sido feitas incorretamente. Esta garantia não se aplica ao seguinte:
 - quaisquer danos ao produto que sejam resultado de manutenção incorrecta
 - qualquer produto que tenha sido alterado ou modificado
 - qualquer produto cujas marcações de identificação de origem (marca comercial, número de série) tiverem sido apagadas, alteradas ou retradas
 - quaisquer danos causados pelo incumprimento do Manual de Instruções
 - qualquer produto que não seja da Comunidade Europeia
 - qualquer produto ao qual tenha sido feita, ou tentada fazer, uma reparação por outra pessoa que não um profissional habilitado ou sem autorização prévia da Techtronic Industries.
 - qualquer produto ligado a uma fonte de alimentação eléctrica incorrecta (Amperes, Voltagem e Frequência)
 - qualquer produto utilizado com uma mistura de combustível incorrecta (combustível, óleo, percentagem de óleo)
 - qualquer dano causado por influências externas (químicas, físicas, impactos) ou substâncias estranhas
 - desgaste e degradação normal de sobresselentes
 - utilização incorrecta, sobrecarga da ferramenta
 - utilização de acessórios ou peças não aprovados
 - quaisquer ajustes periódicos a, ou limpeza de manutenção de, carburadores
 - Componentes (peças e acessórios) sujeitos a desgaste e degradação natural, incluindo mas não se limitando a, maçanetas anti-choque, correias de transmissão, embraiagens, lâminas de recortadores de sebes ou cortarelas, arneses, cabos de acelerador, escovas de carvão, cabos eléctricos, dentes, anilhas de feltro, pinos de engate, ventoinhas do soprador, tubos do soprador e do aspirador, cintas e sacos do aspirador, barras de guia, correntes de serra, mangueiras, peças de ligação, bocais de pulverização, rodas, varinhas de pulverização, bobinas interiores, bobinas exteriores, linhas de corte, velas de ignição, filtros do ar, filtros de gasolina, lâminas trituradoras, etc.
- Para assistência, o produto tem de ser enviado para, ou apresentado em, um posto de assistência autorizado RYOBI, conforme listado para cada país na lista de moradas de postos de assistência seguinte. Nalguns países, o seu concessionário RYOBI local encarrega-se de enviar o produto para a organização de assistência RYOBI. Quando enviar um produto para um posto de assistência RYOBI, o produto deve ser embalado de forma segura, sem conter nenhuns conteúdos perigosos (por exemplo, gasolina), marcado com o endereço do remetente e acompanhado por uma breve descrição da avaria.
- Uma reparação/substituição ao abrigo desta garantia é gratuita. Não constitui um prolongamento a, nem um novo início de, o período da garantia. As peças ou ferramentas substituídas tomam-se propriedade nossa. Nalguns países, o remetente terá de pagar os custos de entrega ou a remessa postal. Os seus direitos previstos por lei resultantes da compra da ferramenta mantêm-se inalterados
- Esta garantia é válida na Comunidade Europeia, Suíça, Islândia, Noruega, Liechtenstein, Turquia, Rússia e Rino Unido. Fora destas áreas, entre em contacto com o seu concessionário autorizado RYOBI para determinar se existe outra garantia aplicável.

CENTRO DE ASSISTÊNCIA AUTORIZADO

Qualquer pedido ou problema relacionado com o produto pode ser encaminhado para os seus centros de reparação autorizados locais (visite www.ryobitools.eu) ou directamente para: Techtronic Industries GmbH, Max Eyth Straße 10, 71364 Winnenden, Germany. Indique o número de série e o tipo de produto impressos na etiqueta.

DA RYOBI® BETINGELSER FOR GARANTI

Udover lovbestemte rettigheder, som resulterer af købet, er dette produkt dækket af en garanti, som anført herunder.

- Garantiperioden er 24 måneder for forbrugere og begynder på den dato, som produktet blev købt. Denne dato skal dokumenteres af en faktura eller andet bevis for køb. Produktet er udelukkende designet og dedikeret til forbrugere og privat brug. Så der ydes ingen garanti i tilfælde af professionel eller kommerciel brug.
- Der er en mulighed for at forlænge garantiperioden for en del af udvalget af haveværktøj (AC/DC), hen over den ovenfor beskrevne periode vha. registrering på hjemmesiden www.ryobitools.eu. Betingelsen af værkøjet til forlængelse af garantiperioden er tydeligt vist i butikker og/eller på emballage og indeholdt i produktokumentationen. Slutbrugeren skal registrere hans/hendes nyligt indkøbte værktøj online indenfor 30 dage efter købsdatoen. Slutbrugeren kan registrere sig for den forlængede garanti i sit land, hvis han/hun er opført på den online registreringsformular, hvor denne mulighed er gyldig. Derudover skal slutbrugere give deres samtykke til at opbevare data, som er påkrævet til indtaste online, og de er nødt til at acceptere vilkår og betingelser. Registreringsbekræftelsekвитeringen, som sendes ud på e-mail, og den originale faktura, som viser købsdatoen, vil fungere som bevis for den forlængede garanti.
- Garantien dækker alle defekter, som et produkt måtte have i løbet af garantiperioden, og som skyldes produktionsfejl eller materialefejl på købsdatoen. Garantien er begrænset til reparation og/eller udskriftning og inkluderer ikke andre forpligtelser, inklusiv men ikke begrænset til tilfældige skader eller følgeskader. Garantien er ugyldig, hvis produktet er blevet misbrugt, brugt uden at overholde vejledningen, eller det er blevet forkert tilslutet. Denne garanti gælder ikke:
 - Beskadigelse af produktet, som er et resultat af uegnet vedligeholdelse
 - Et produkt der er blevet ændret eller modificeret
 - Et produkt hvor de originale identifikationsmærkninger (varemærke, serienummer) er blevet ødelagt, ændret eller fjernet.
 - Enhver beskadigelse forårsaget af manglende overholdelse af vejledningen
 - Ethvert ikke CE-produkt
 - Ethvert produkt som er blevet forsøgt repareret af en ukvalificeret professionel eller uden tidligere autorisation af Techtronic Industries.
 - Ethvert produkt som er tilslutet uegnet strømforsyning (ampere, spænding, frekvens)
 - Ethvert produkt som bruges med uegnet brændstofblanding (brændstof, olie, procentdel olie)
 - Enhver skade forårsaget af ekstern påvirkning (kemisk, fysisk, chok) eller fremmedelementer
 - Normal slid på reservedelev
 - Uegnet brug, overbelastning af værktøjet
 - Brug af ikke-godkendt tilbehør eller dele
 - Alle regelmæssige justeringer eller vedligeholdelsesrengøring af karburatorer
 - Komponenter (dele og tilbehør) som er udsat for naturlig slid og ælde, inklusiv men ikke begrænset til drejeknapper, drivrem, greb, klinger til hæktrimmere eller plæneklyppere, sele, kabel gasspjæld, kulbørster, elledning, tænder, filtervisker, afhængstapper, blæseventilatorer, blæser- og sugeslang, sugespøse og stropper, styrestrenger, savkæder, slanger, forbindelsespakkinger, sprøjtedyser, hjul, sprøjtestave, indvendige ruller, udvendige ruller, udvendige spoler, skærelinjer, tændrør, luftfilter, gasfilter, tildækningsblade etc.
- For eftersyn skal produktet sendes til eller præsenteres for en RYOBI- autoriseret service værksted, som er oplyst for hvert land i den følgende liste over service værksted adresser. I nogle lande påtager din lokale RYOBI-forhandler sig ansvaret for at sende produktet til RYOBI-serviceorganisationen. Når et produkt sendes til en RYOBI-service værksted, skal det pakkes sikkert ind uden noget farligt indhold som benzin, mærkes med afsenderens adresse og med en kort beskrivelse af fejlen.
- En reparation/erstatning under denne garanti er gratis. Den udgør ikke en forlængelse eller en ny start på garantiperioden. Udvekslede dele eller værktøjer bliver vores ejendom. I nogle lande skal leveringsafgifter eller porto betales af afsenderen. Dine lovbestemte rettigheder i forbindelse med købet forbliver uanfægtede
- Denne garanti gælder i EU, Schweiz, Island, Norge, Liechtenstein, Tyrkiet, Rusland og Storbritannien. Udover disse områder bedes du kontakte din autoriserede RYOBI-forhandler for at afgøre, om en anden garanti gælder.

AUTORISEREDE SERVICE/VERKSTEDER

Enhver anmodning eller problem angående produktet kan adresseres til dine lokale autoriserede servicecentre (gå ind på www.ryobitools.eu) eller direkte til: Techtronic Industries GmbH, Max Eyth Straße 10, 71364 Winnenden, Germany. Angiv serienummer og produkttype, der er trykt på etiketten.

SV RYOBI® ANVÄNDNINGSVILLKOR FÖR GARANTI

Förutom eventuella lagstadgade rättigheter som uppstår genom köpet, täcks den här produkten av en garanti som anges nedan.

- Garantiperioden är 24 månader för konsumenter och börjar gälla från det datum då produkten köptes. Detta datum måste dokumenteras på en faktura eller annat köpbevis. Produkten är utformad och avsedd för konsumenter och privat bruk. Därmed tillhandahålls ingen garanti vid yrkesmässigt eller kommersiellt bruk.
- Det finns möjlighet att förlänga garantiperioden för en del av utbudet för trädgårdsverktyg (AC/DC) under den period som anges ovan genom att använda registreringen på webbplatsen www.ryobitools.eu. De verktyg som är berättigade till en förlängning av garantiperioden visas tydligt i butiker och/eller på förpackningen/och anges i produktdokumentationen. Slut användaren behöver registrera hans/hennes nyförvärvade verktyg online inom 30 dagar från köpdatumet. Slut användaren kan registrera sig för den förlängda garantin i det land där han/hon bor om landet finns angivet i registreringsformuläret online och där detta alternativ är giltigt. Dessutom måste slut användaren ge sitt medgivande till lagring av data vilket krävs vid registrering online samt acceptera villkoren. Bekräftelsekvittot för registreringen som skickas ut via e-post och originalfakturan som visar köpdatumet kommer att gälla som bevis för den förlängda garantin.
- Garantin täcker alla produktdefekter under garantiperioden som beror på brister i utförande eller material vid köpdatumet. Garantin är begränsad gällande reparation och/eller utbyte och inkluderar inte några skyldigheter inklusive men inte begränsat till oförutsedda skador eller följdskador. Garantin är inte giltig om produkten har missbrukats, använts i strid med bruksanvisningen eller inte anslutits på rätt sätt. Denna garanti täcker inte:
 - eventuella skador på produkten som uppstått till följd av felaktigt underhåll
 - produkter som har ändrats eller modifierats
 - produkter där ursprungliga identifieringsmärkningar (varumärke, serienummer) har målats över, ändrats eller tagits bort
 - eventuella skador som uppstått till följd av att bruksanvisningen inte efterföljts
 - alla icke CE-produkter
 - eventuella produkter som har försökts repareras av en icke-kvalificerad yrkesman eller utan föregående medgivande från Technronic Industries.
 - eventuella produkter som anslutits till felaktig strömförsörjning (ampere, volt, frekvens)
 - eventuella produkter som använts med olämplig bränsleblandning (bränsle, olja, oljeprocent)
 - eventuella skador som uppstått till följd av yttre påverkan (kemisk, fysisk, stötar) eller främmande ämnen
 - normalt slitage av reservdelar
 - olämplig användning, överbelastning av verktyget
 - användningen av icke-godkända tillbehör eller delar
 - Eventuella periodiska justeringar av eller vid underhållsrengöring av förgasare
 - Komponenter (delar och tillbehör) är föremål för naturligt slitage, inklusive men inte begränsat till tryckknappar, drivremmar, koppling, blad till kantrimrar eller gräsklippare, sele, gasreglagevajer, kolborstar, strömladd, spetsar, filterbrickor, kopplingsprint, blåsfäkt, blås- och sugrör, sugpåse och remmar, styrskenor, sägkedjor, slangar, anslutningsdonrör, spraymunstycken, hjul, spraystavar, innerullar, ytterspolar, skärtråd, tändstift, luftfilter, gasfilter, sönderdelningsblad osv.
- Vid service måste produkten skickas eller uppvisas för en RYOBI- auktoriserad servicestation som står angiven för varje land i följande adresslista över servicestationer. I vissa länder tar din lokala RYOBI-återförsäljare på sig ansvaret att skicka produkten till RYOBI-serviceorganisationen. När en produkt skickas till en RYOBI-servicestation, ska produkten paketeras säkert utan något farligt innehåll såsom bensin, markeras med avsändarens adress samt en kort beskrivning av felet.
- En reparation/vett utbyte under denna garanti är kostnadsfri. Det utgör inte en förlängning eller förymelse av garantiperioden. Utbyta delar eller verktyg blir vår egendom. I vissa länder måste leveranskostnader eller porto betalas av avsändaren. Dina lagstadgade rättigheter som härrör från köpet av verktyget förblir opåverkade.
- Denna garanti är giltig i Europeiska gemenskapen, Schweiz, Island, Norge, Liechtenstein, Turkiet, Ryssland och Storbritannien. Utanför dessa länder, kontakta din auktoriserade RYOBI-återförsäljare för att avgöra om en annan garanti gäller.

AUKTORISERAD SERVICECENTER

Varje begäran eller problem avseende produkten kan adresseras till ditt lokala auktoriserade servicecenter (besök www.ryobitools.eu) eller direkt till: Technronic Industries GmbH, Max Eyth Straße 10, 71364 Winnenden, Germany. Ange serienumret och produkttypen som anges på etiketten.

FI RYOBI®-TAKUUN SOVELTAMISEHDOT

Tällä tuotteella on oston luomien lakisäästeiden oikeuksien ohella alla mainitun mukainen takuu.

- Takuun kesto on kuluttajalle 24 kuukautta ja takuuaika alkaa tuotteen ostohetkestä. Tämän päivämäärän tulee lukea laskussa tai muussa ostotositteessa. Tuote on suunniteltu ja tarkoitettu vain kuluttajien ja yksityiseen käyttöön. Takuu ei siis kata ammatti- eikä kaupallista käyttöä.
- Joidenkin puutarhatyökälujen (AC/DC) takuun kestoa on mahdollista laajentaa yllä mainittua kestoa pidemmäksi verkkosivuston www.ryobitools.eu rekisteröinnin kautta. Työkälujen kelpoisuus takuujakson laajennukseen näkyy selkeästi myymälöissä ja/tai pakkauksissa ja/tai tämä tieto sisältyy tuotetiedokantaan. Loppukäyttäjän täytyy rekisteröidä vasta hankittu työkalu internetissä 30 päivän kuluessa ostopäivämäärästä. Loppukäyttäjää voi rekisteröidä laajennettuun takuun kotimaassaan, jos se on luettuna online-rekisteröintilomakkeessa, jossa mainitaan, missä tämä vaihtoehto on voimassa. Loppukäyttäjien täytyy lisäksi hyväksyä tietojen tallennus, jotka heidän täytyy antaa online-tilassa sekä ehdot. Rekisteröinnin vahvistuskuitti, joka lähetetään sähköpostitse, ja alkuperäinen ostopäivämäärän ilmaiseva lasku toimivat laajennetun takuun tositteina.
- Takuu kattaa kaikki tuotteeseen takuuaikana tulevat viat, joiden aiheuttajina ovat tuotteessa ostopäivänä oleet valmistus- tai materiaali-viat. Takuu on rajoitettu korjaukseen kalun vaihtoon eikä se sisällä mitään muita velvoitteita mukaan lukien satunnais- ja seurannaisvahinkoja, mutta rajoittumatta niihin. Takuu ei päde, jos tuotetta on käytetty väärin, käyttöohjeen vastaisesti tai jos se on liitetty virheellisesti. Tämä takuu ei kata:
 - virheellisestä huollosta johtuvia vaurioita
 - muunnettua tai muutettua tuotetta
 - tuotetta, jonka alkuperäiset tunnistusmerkinnät (tavaramerkki, sarjanumero) on turmeltu, muutettu tai poistettu
 - tämän käyttöoppaan laiminlyöntistä johtuvia vaurioita
 - ei-CE-tuotetta
 - tuotetta, jota on yritetty korjata epäpätevä ammattilainen tai joka on korjattu ilman Technronic Industriesin ennakkolupaa.
 - tuotetta, joka on liitetty virheelliseen teholahteeseen (ampeirit, jännite, taajuus)
 - tuotetta, jossa on käytetty väärää polttoaineseosta (polttoaine, öljy, öljyprosentti)
 - ulkoisten vaikutusten (kemiallinen, fyysinen, iskut) tai vieraiden aineiden aiheuttamaa vauriota
 - normaaleja kulumia varoasia
 - virheellistä käyttöä, työkalun ylikuormitusta
 - ei-hyväksytytjen tarvikkeiden tai osien käyttöä
 - Kaasutinten säännöllistä säätöä tai ylläpitävää puhdistusta
 - Luonnollisesti kulumia komponentteja (osia tai tarvikkeita), joihin sisältyvät puskunupit, käyttöihinat, kytkin, pensasleikkurien tai ruohonleikkurien terät, valjait, kaasuvaijeri, hiiharjat, virtajohto, piikit, huopatiivistet, sokkakatit, puhallinten tuuletin, puhallin- ja imuputket, imuriin säkit ja ihinat, terälevyt, sahankeijut, lektu, liinotat, suihkusuihuttimet, pyörät, ruiskutusputket, sisä- ja ulkokelat, leikkusuijimat, hehkutulpat, ilmansuodattimet, kaasunsuodattimet, silpputerät yms. näihin kuitenkaan rajoittumatta.
- Tuote on lähetettävä huollettavaksi valtuutettuun RYOBI-huoltoon tai näytettävä siellä. Niiden osoitteet kussakin maassa löytyvät seuraavasta luettelosta. Joissakin maissa paikallinen RYOBI-jälleenmyyjä huolehtii tuotteen lähetyksestä RYOBI-huolto-organisaatioon. Kun tuote lähetetään RYOBI-huoltoon, se täytyy pakata hyvin ilman vaarallisia aineita, kuten polttoainetta, ja pakkaukseen täytyy merkitä lähettäjän nimi sekä vian lyhyt kuvaus.
- Takuun kattama korjaus/vaihto on maksuton. Se ei tarkoita takuuaajan laajennusta tai alkamista alusta. Vaihdetut osat tai työkalut siirtyvät valmistajan omistukseen. Joissakin maissa lähettäjän täytyy maksaa lähetyskustannukset tai postikulut. Työkalun oston luomat lakisäästeiset oikeudet pysyvät koskemattomina
- Tämä takuu on voimassa Euroopan yhteisössä, Sveitsissä, Islannissa, Norjassa, Liechtensteinissa, Turkissa, Venäjällä ja Yhdistyneessä kuningaskunnassa. Oita näiden alueiden ulkopuolella yhteyttä omaan valtuutettuun RYOBI-jälleenmyyjään ja selvitä, onko jotain muuta takuuta.

VALTUUTETTU HUOLTO

Kaikki tuotteeseen liittyvät pyynnöt tai kysymykset voidaan osoittaa paikallisille valtuutetuille huoltoliiketoimille (katso www.ryobitools.eu) tai suoraan osoitteeseen: Technronic Industries GmbH, Max Eyth Straße 10, 71364 Winnenden, Germany. Ilmoita tarraan painettu sarjanumero ja tuotetyyppi.

NO RYOBI® GARANTIBETINGELSER

I tillegg til eventuelle lovbestemte rettigheter som følger av kjøpet, er dette produktet dekket av en garanti som angitt nedenfor.

- Garantiperioden er 24 måneder for konsumenter og gjelder fra den datoen som produktet ble kjøpt. Denne datoen skal dokumenteres med en faktura eller annet kjøpsbevis. Produktet er designet og beregnet kun til konsument- og privat bruk. Så det gis ingen garanti ved profesjonell eller kommersiell bruk.
- For en del av utvalget av hageverktøy (AC/DC) er det mulighet til å utvide garantiperioden i den perioden som er beskrevet ovenfor ved bruk av registrering på nettsidene www.ryobitools.eu. Kvalifiseringen av verktøyene for en utvidelse av garantiperioden er tydelig vist i butikker og/eller på pakningen / og finnes innen produktdokumentasjonen. Sluttbrukeren må registrere sine nylig anskaffede verktøy online innen 30 dager etter kjøpsdato. Sluttbrukeren kan registrere seg for den utvidede garantien i sitt land hvis det er opplyst på online registreringsskjemaet der dette alternativet er gyldig. Videre må sluttbruker gi sitt samtykke til oppbevaring av dataene som kreves for å gå online, og de må godta vilkår og betingelser. Registreringsbekreftelsen, som sendes ut på e-post, og den originale fakturaen som viser kjøpsdato, vil tjene som bevis for den utvidede garantien.
- Garantien dekker alle defekter i produktet under garantiperioden på grunn av defekter i uforenelse eller materiale på kjøpsdato. Garantien er begrenset til å reparere og/eller erstatte og inkluderer ikke noen andre forpliktelser, inkludert, men ikke begrenset til, tilfeldige eller følgesmessige skader. Garantien er ikke gyldig hvis produktet har blitt misbrukt, brukt på annen måte enn det som beskrives i bruksanvisningen eller er koblet til på feil måte. Denne garantien gjelder ikke for:
 - enhver skade på produktet som er resultat av utilstrekkelig vedlikehold
 - ethvert produkt som har blitt endret eller modifisert
 - ethvert produkt der de originale identifiseringsmerkene (varemerke, serienummer) har blitt uleselig, er endret eller fjernet
 - enhver skade som forårsakes av ikke-overholdelse av instruksjonshåndboken
 - ethvert ikke-CE-produkt
 - ethvert produkt som har blitt forsøkt reparert eller av en ikke-kvalifisert fagperson eller uten tidligere autorisasjon fra Techntron Industries.
 - ethvert produkt tilkoblet feil strømforsyning (ampere, spenning, frekvens)
 - ethvert produkt som brukes med feil drivstoffblanding (drivstoff, olje, prosentandel olje)
 - enhver skade som er forårsaket av eksterne påvirkninger (kjemiske, fysiske, støt) eller fremmede stoffer
 - normal slitasje og sitereservedeler
 - feil bruk, overbelastning av verktøyet
 - bruk av ikke-godkjent tilbehør eller delerEventuelle periodiske justeringer av eller vedlikeholdssengjøring av forbrennere
 - Komponenter (deler og tilbehør) som er underlagt naturlig slitasje, inkludert, men ikke begrenset til bulkknøtter, drivreimer, clutch, blader på hekktrimmere eller gressklippere, seler, kabelspjeld, karbonbørster, strømladning, kniver, feltpåkninger, heispinner, blåseviser, blåse- og vakuumslang, vakuumpose og reimer, førerstenger, sagkjeder, strømper, koblingsmonteringer, spraydyser, hjul, spraystenger, indre spoler, ytre spoler, kutteinjer, tennplugg, luftfilter, gassfilter, mulchingblader osv.
- For service må produktet sendes eller fremlegges for en RYOBI-autorisert servicestasjon opplyst for hvert land i den følgende listen over servicestasjonsadresser. I noen land sender den lokale RYOBI-forhandleren produktet til RYOBI serviceorganisasjonen. Ved å sende et produkt til en RYOBI servicestasjon skal produktet være sikkert pakket uten noe farlig innhold, slik som bensin, merket med senderens adresse og fulgt av en kort beskrivelse av feilen.
- En reparasjon/erstatning under denne garantien er gratis. Den utgjør ingen forlengelse eller en ny start av garantiperioden. Utskledte deler eller verktøy blir værende for eiendom. I noen land vil leveringskostnader eller frankering måtte betales av senderen. Dine lovbestemte rettigheter som oppstår fra kjøp av verktøyet forblir uberørt.
- Denne garantien er gyldig i EU, Sveits, Island, Norge, Liechtenstein, Tyrkia, Russland og Storbritannia. Utenfor disse områdene ta kontakt med din autoriserte RYOBI-forhandler om en annen garanti gjelder.

AUTORISERT SERVICESENTER

Enhver forespørsel eller problem med produktet kan henvises til de lokale autoriserte serviceentrene (se www.ryobitools.eu) eller direkte til: Techntron Industries GmbH, Max Eyth Straße 10, 71364 Winnenden, Germany. Angi serienummer og produkttype som er trykket på etiketten.

RU УСЛОВИЯ ПРИМЕНЕНИЯ ГАРАНТИИ НА ПРОДУКЦИЮ RYOBI®

Помимо законных прав, возникающих при покупке, данное изделие покрывается гарантией в соответствии с приведенными ниже пунктами.

- Гарантийный период для покупателя составляет 24 месяца с даты покупки изделия. Дата покупки должна быть подтверждена полностью заполненным гарантийным талоном и чеком о покупке. Данное изделие предназначено только для частного использования покупателем. Поэтому гарантия не распространяется на использование в профессиональных или коммерческих целях.
- Предусмотрена возможность продления для части изделий линейки садовых инструментов (AC/DC) гарантийного периода с помощью регистрации на сайте www.ryobitools.eu. Право инструмента на продление гарантийного периода четко указано в магазинах и / или на упаковке / и содержится в сопутствующей инструменту документации. Конечный пользователь должен зарегистрировать свой приобретенный инструмент в течение 30 дней с даты покупки. Конечный пользователь может зарегистрировать свой инструмент на продление гарантии в стране своего проживания, если она указана в форме онлайн-регистрации. Кроме того, конечный пользователь должен дать свое согласие на хранение данных, которые необходимо ввести в онлайн-форму и принять правила и условия. Подтверждение регистрации, которое вы получите по электронной почте, заполненный гарантийный талон и оригинальный чек, в котором указана дата покупки, будут служить доказательством продленной гарантии.
- Гарантия покрывает в течение гарантийного периода все дефекты качества или материала изделия на дату покупки. Гарантия ограничена ремонтом и / или заменой и не включает никакие другие обязательства, включая, но не ограничиваясь случайными или косвенными убытками. Гарантия становится недействительной, если изделие использовалось не по назначению, вопреки инструкциям, данным в Руководстве пользователя или было неправильно подключено. Настоящая гарантия не распространяется на:
 - любые повреждения изделия в результате неправильного технического обслуживания или недостаточного ухода за инструментом
 - любые изделия, подвергшиеся изменениям и модификации
 - любые изделия, оригинальные идентификационные отметки которого (торговая марка, серийный номер) были повреждены, изменены или удалены
 - любые повреждения, вызванные несоблюдением инструкций Руководства пользователя
 - любые изделия, не сертифицированные маркировкой "CE" для продажи в Европейском союзе
 - любые изделия, подвергшиеся попыткам ремонта неквалифицированным работником или без предварительного утверждения компанией Techntron Industries.
 - любые изделия, подключенные к неправильному источнику питания (сила тока, напряжение, частота)
 - любые изделия, в которых использовались несоответствующие топливные смеси (топливо, масло, процент масла)
 - любые повреждения, вызванные внешними воздействиями (химические, физические, удары) или посторонними веществами
 - естественный износ запасных деталей
 - несоответствующее использование, перегрузка инструмента
 - использование неутвержденных аксессуаров и неоригинальных запасных деталей
 - любые регулярные регулировки, техническое обслуживание или чистка карбюраторов
 - компоненты (детали и аксессуары), подверженные естественному износу, включая, но не ограничиваясь фиксаторы шпули приводные ремни, сцепные муфты, лезвия триммеров и газонокосилок, плечевые ремни, кабельный дроссельный регулятор, угольные щетки, кабели питания, зубья, войлочные шайбы, фиксирующие шпильки, вентиляторы воздуходувки, трубки воздуходувки и пылесоса, головки для сбора мусора и режущие, пыльные шпильки, пыльные щели, шланги, соединительные детали, распылительные насадки, колеса, распылительные переходники, внутренние катушки и шпули, режущую леску, свечи зажигания, воздушные и топливные фильтры, мульчирующие лезвия и др.
- Для проведения технического обслуживания изделие следует направлять в авторизованные сервисные центры RYOBI, указанные для каждой страны в приведенном ниже списке адресов станций сервисного обслуживания. В некоторых странах местные дилеры RYOBI отправляют изделия в сервисные организации RYOBI. При отправке изделия в сервисный центр RYOBI, изделие должно быть безопасно упаковано и не содержать никаких опасных веществ, таких как бензин, должен быть подписан адрес отправителя и сопровождаться кратким описанием неисправности.
- Ремонт / замена проводится в рамках настоящей гарантии бесплатно. Он не продлевает гарантию и не начинает новый гарантийный период. Замененные детали и инструменты становятся нашей собственностью. В некоторых странах отправитель должен оплачивать стоимость отправки. Ваши законные права, возникающие при покупке инструмента, остаются неизменными
- Настоящая гарантия действительна в Европейском Сообществе, Швейцарии, Исландии, Норвегии, Лихтенштейне, Турции, России и Великобритании. Вне указанных территорий обращайтесь к своему авторизованному дилеру RYOBI, чтобы узнать, применяются ли условия каких-либо других гарантий.

УПОЛНОМОЧЕННЫЙ СЕРВИСНЫЙ ЦЕНТР

При возникновении проблем с изделием обращайтесь в один из региональных авторизованных сервисных центров (см. www.ryobitools.eu) или напрямую: Techntron Industries GmbH, Max Eyth Straße 10, 71364 Winnenden, Germany. Укажите серийный номер и тип изделия, указанные на табличке.

PL WARUNKI GWARANCJI RYOBI®

Oprócz praw ustawowych wynikających z zakupu produkt jest objęty gwarancją, której warunki podano poniżej.

- Okres gwarancyjny wynosi 24 miesiące dla konsumentów i rozpoczyna się w dniu zakupu produktu. Data zakupu należy udokumentować fakturą lub innym dowodem zakupu. Produkt został zaprojektowany i jest przeznaczony do użytku konsumenckiego i prywatnego. W związku z tym gwarancja nie obejmuje zastosowań profesjonalnych i komercyjnych.
- Istnieje możliwość wydłużenia okresu gwarancyjnego dla części asortymentu narzędzi ogrodniczych (AC/DC) poprzez zarejestrowanie produktu na stronie internetowej www.ryobitools.eu. Kwalifikowalność narzędzi do wydłużenia okresu gwarancyjnego jest wyraźnie określona w sklepach i/lub na opakowaniu oraz w dokumentacji produktu. Użytkownik końcowy musi zarejestrować nowo kupione narzędzia online w ciągu 30 dni od daty zakupu. Użytkownik końcowy może zarejestrować się w celu przedłużenia gwarancji w swoim kraju zamieszkania, jeżeli jest on wymieniony w formularzu rejestracji online, gdzie opcja ta obowiązuje. Ponadto użytkownicy końcowi muszą wyrazić zgodę na przechowywanie danych, wprowadzanych na stronie internetowej i zaakceptować regulamin. Dowodem wydłużenia gwarancji jest wysłane pocztą elektroniczną potwierdzenie rejestracji i oryginalny faktury potwierdzającej datę zakupu.
- Gwarancja obejmuje wszystkie wady produktu ujawnione w okresie gwarancyjnym wynikające z usterki wykonania lub materiału obecnego w dniu zakupu. Gwarancja jest ograniczona do naprawy i/lub wymiany i nie obejmuje żadnych innych zobowiązań, w tym między innymi odpowiedzialności za szkody przypadkowe lub wtórne. Gwarancja nie obowiązuje, jeżeli produkt był nieprawidłowo używany, używany niezgodnie z instrukcją lub nie był prawidłowo podłączony. Gwarancja nie obejmuje:
 - uszkodzenia produktu wynikającego z nieprawidłowej konserwacji,
 - produktu, który został zmieniony lub zmodyfikowany,
 - produktu, którego oryginalne oznaczenie (znak towarowy, numer seryjny) zostało zniszczone, zmienione lub usunięte,
 - jakiegokolwiek uszkodzeń wynikających z nieprzestrzegania instrukcji,
 - jakiegokolwiek produktu bez certyfikatu CE,
 - jakiegokolwiek produktu, który próbowano naprawić z pomocą niewykwalifikowanej osoby lub bez uzyskania wcześniejszej zgody firmy Technronic Industries.
 - jakiegokolwiek produktu podłączonego nie prawidłowego źródła zasilania (nieprawidłowe napięcie prądu, napięcie, częstotliwość),
 - jakiegokolwiek produktu, który był używany z nieprawidłową mieszanką paliwową (paliwo, olej, procentowy udział oleju),
 - jakiegokolwiek uszkodzeń spowodowanych wpływem czynników zewnętrznych (chemicznych, fizycznych, drgań) lub substancji obcych,
 - normalnego zużycia części zamiennych,
 - nieprawidłowego użycia, przecięcia narzędzia,
 - stosowania niezatwierdzonych akcesoriów lub części,
 - jakiegokolwiek okresowych regulacji lub czyszczenia gaźników w ramach konserwacji
 - elementów (części i akcesoriów) podlegających naturalnemu zużyciu, obejmujących, między innymi, kopułki do zwalniania żyłki, pasy napędowe, sprężelko, ostrza przycinarek do żywopłotów lub kosiarzek do trawy, uprząż, przepustnice linkową, szcztolki węglowe, przewód zasilania, zęby, podkładki filcowe, kółki podnośnika, wentylatory dmuchawy, rury nadmuchowe i ssawne, worek na śmieci i paski, prowadnice, łańcuchy piły, węże, mocowanie złączy, dysze natryskowe, kółka, przęty natryskowe, szpule wewnętrzne, szpule zewnętrzne, filtry gazu, ostrza do ściółkowania itp.
- W celu serwisowania produkt należy wysłać do autoryzowanego punkcie serwisowego RYOBI znajdującym się na przedstawionym poniżej wykazie punktów serwisowych w poszczególnych krajach. W niektórych krajach lokalny dystrybutor produktów RYOBI podejmuje się wysyłki produktu do centrum serwisowego RYOBI. W przypadku wysyłki do punktu serwisowego RYOBI produkt — pozbawiony jakiegokolwiek niebezpiecznych substancji, na przykład benzyny — należy bezpiecznie zapakować i dołączyć adres nadawcy oraz krótki opis usterki.
- Naprawa/wymiana w ramach niniejszej gwarancji jest bezpłatna. Nie stanowi jednak o przedłużeniu lub rozpoczęciu od nowa biegu okresu gwarancyjnego. Wymienione części lub narzędzia stają się naszą własnością. W przypadku niektórych krajów nadawca będzie musiał uregulować koszty dostawy lub opłaty pocztowe. Prawa ustawowe wynikające z zakupu narzędzia pozostają niezmienione.
- Niniejsza gwarancja obowiązuje we Wspólnocie Europejskiej, Szwajcarii, na Islandii, w Norwegii, a także w Liechtensteinie, Turcji, Rosji oraz Zjednoczonym Królestwie Wielkiej Brytanii i Irlandii Północnej. Poza tymi obszarami należy skontaktować się z autoryzowanym dostawcą produktów RYOBI i ustalić, czy obowiązuje inna gwarancja.

AUTORYZOWANY PUNKT SERWISOWY

Wszelkie zapytania i problemy z produktem można zgłaszać do lokalnych autoryzowanych centrów serwisowych (patz.www.ryobitools.eu) lub bezpośrednio do: Technronic Industries GmbH, Max Eyth Straße 10, 71364 Winnenden, Germany. Prosimy o podanie wydrukowanego na etykiecie numeru seryjnego oraz typu produktu.

CS ZÁRUČNÍ PODMÍNKY RYOBI®

Kromě zákonných práv vyplývajících z koupě výrobku se na tento výrobek vztahuje také níže uvedené záruka.

- Záruční doba pro spotřebitele je 24 měsíců a začíná datem nákupu výrobku. Datum musí být zaznamenáno na fakturě nebo jiném dokladu o koupi. Tento výrobek je navržen a určen pouze pro soukromé účely spotřebitele. Záruka se tedy nevztahuje na profesionální nebo komerční využití výrobku.
- U některých zahradních nástrojů (AC/DC) je možné záruční dobu prodloužit. K tomu je nutná registrace na stránkách www.ryobitools.eu. Možnost prodloužení záruční doby výrobku je jasně uvedena v prodejních, popř. na obalech nebo v dokumentech o výrobku. Koncový uživatel musí svůj nový nástroj zaregistrovat online do 30 dnů od data nákupu. Koncový uživatel se může k prodloužení záruční době registrovat v zemi trvalého pobytu, pokud je tato uvedena na internetovém registračním formuláři u výrobku, kde je tato možnost dostupná. Koncový uživatelé musí dále souhlasit s uložením osobních údajů, která musí zadat na internetu, a přijmout obchodní podmínky. E-mail s potvrzením registrace a původní faktura s datem koupě poslouží jako důkaz o prodloužené záruce.
- Záruka se vztahuje na veškeré vady na výrobku v rámci záruční doby způsobené výrobními vadami nebo vadami materiálu u době koupě. Záruka je omezena na opravu, popřípadě výměnu a nezahrnuje žádné další povinnosti, včetně mimo jiné vedlejších či následných odškodnění. Záruka neplatí při použití výrobku k nevhodným účelům, v rozporu s uživatelskou příručkou nebo při nesprávném zapojení. Záruka se nevztahuje na:
 - veškeré škody na výrobku způsobené nesprávnou údržbou
 - veškeré produkty, které byly pozměněny nebo upraveny
 - veškeré produkty, kde byly původní identifikační prvky (obchodní značka, sériové číslo) poničeny, pozměněny nebo odstraněny
 - veškeré škody způsobené nedodržováním pokynů uživatelské příručky
 - veškeré produkty bez CE certifikace
 - veškeré produkty, které se pokusil opravit nekvalifikovaný odborník nebo opravy bez předchozího svolení společnosti Technronic Industries.
 - veškeré produkty zapojené do nesprávného elektrického zdroje (proud, napětí, frekvence)
 - veškeré produkty používané s nevhodnou palivovou směsí (palivo, olej, procento oleje)
 - veškeré škody způsobené externími vlivy (chemickými, fyzickými, nárazy) nebo cizími látkami
 - běžné opotřebování dílů
 - nevhodné použití, přetěžování nástroje
 - použití neschválených příslušenství nebo dílů
 - veškerá pravidelná seřízení nebo čištění v rámci údržby karburátorů
 - komponenty (díly a příslušenství) podléhající opotřebení, včetně mimo jiné nárazových koleček, posuvných pásů, spojek, nožů plotových nůžek a sekaček na trávu, popruhů, plynového lanka, karbonových kartáčů, napájecího kabelu, zubů, plstěných podložek, závěsných kolků, větráků fukaru, trubíc fukaru a vysavače, vaku a popruhů vysavače, vodících listů, pilyových řetězů, hadic, konektorů, trysek, kol, stříkačiček, vřítiných cívek, vnějších kotevů, řezných strun, zavalovacích svěček, tyčových filtrů, plynových filtrů, mulčovačích nožů atd.
- K provedení servisu musí být výrobek zaslán nebo předán do autorizovaného servisního centra společnosti RYOBI, jejichž adresy jsou uvedeny podle zemi v seznamu servisních center. V některých zemích za vás výrobek pošle servisní organizaci RYOBI sám prodejce výrobků této značky. Při zasílání výrobku do servisního centra RYOBI je potřeba výrobek bezpečně zabalit bez nebezpečného obsahu jako benzín, opatřit adresou odesílatele a připojit krátký popis závady.
- Oprava, popř. výměna v rámci této záruky je zdarma. Neznámá to prodloužení nebo začátek nové záruční lhůty. Vyměněné díly nebo nástroje přejdou do našeho vlastnictví. V některých zemích platí poštovné odesílatele. Vaše zákonná práva vyplývající z koupě tohoto nástroje zůstávají nedotčena.
- Tato záruka platí v Evropském společenství, Švýcarsku, na Islandu, v Norsku, Lichtenštejnsku, Turecku, Rusku a Spojeném království. Mimo tato území kontaktujte autorizovaného prodejce značky RYOBI, který zjistí, zda se na výrobek vztahuje jiná záruka.

POVĚŘENÉ SERVISNÍ STŘEDISKA

S požadavky nebo problémy týkajícími se tohoto výrobku se můžete obracet na místní pověřená servisní střediska (podle www.ryobitools.eu) nebo přímo na: Technronic Industries GmbH, Max Eyth Straße 10, 71364 Winnenden, Germany. Uveďte výrobní číslo a druh výrobku ze štítku.

HU A RYOBI® GARANCIA ALKALMAZÁSÁNAK FELTÉTELEI

A vásárlásból adódó törvényben rögzített jogok mellett a termékre az alábbi garancia vonatkozik.

1. A fogyasztói garancia tartama 24 hónap, mely a termék vásárlásának napjával kezdődik. Ezt a dátumot számlával vagy a vásárlást igazoló egyéb dokumentummal kell bizonyítani. A termék rendelkezése csak fogyasztói és magánéleti használat. Ezért professzionális vagy kereskedelmi használat esetén a garancia nem érvényes.
2. A kerti szerszámok (egyenáramú/váltóáramú) egy részénél a garancia időtartama a www.ryobitools.eu webápolon regisztrálva meghosszabbítható. Az áruházakban, a csomagoláson, illetve a termék dokumentációjában egyértelműen jelezzük, hogy az adott termék garanciája meghosszabbítható-e. A végfelhasználónak a vásárlás dátumától számított 30 napon belül regisztrálnia kell az újonnan vásárolt szerszámot. A végfelhasználó akkor regisztrálhat a kiterjesztett garanciára, ha az ország, ahol lakik, fel van sorolva az online regisztrációs úrlapon azon országok között, ahol választható ez az opció. Ezenkívül a végfelhasználónak bele kell egyeznie az online regisztrálás során szükséges adatok tárolásába, és el kell fogadnia a felhasználási feltételeket. A kiterjesztett garanciát a regisztráció bekezdéséről e-mailben küldött visszaigazolás és a vásárlás dátumát tartalmazó eredeti számla igazolja.
3. A garancia a termék vásárlásakor fennálló, a gyártás során keletkezett hibákra és anyaghibákra érvényes a garanciális időtartamon belül. A garancia csak a javításra/cseréire korlátozódik, és nem terjed ki semmilyen egyéb kötelezettségre, nem kizárólagosan ideértve a véletlen vagy szándékos rongálást. A garancia nem érvényes, ha a terméket nem megfelelően, a használati utasításban foglaltakkal ellentétben, illetve nem megfelelően csatlakoztatva használják. A garancia nem vonatkozik:
 - a terméket a nem megfelelő karbantartás következtében ért károsodásra
 - megváltoztatott vagy átalakított termékre
 - olyan termékre, melyen az eredeti azonosítottak (védjegy, sorozatszám) megrongáltak, megváltoztatták vagy eltávolították
 - a használati utasítás be nem tartásából eredő kára
 - CE jelöléssel nem rendelkező termékekre
 - olyan termékre, melyet nem képzett, illetve a Techtronic Industries által nem fejlesztett szerelő javított
 - nem megfelelő (áramerősségű, feszültségű, frekvenciájú) áramforrásra csatlakoztatott termékre
 - nem megfelelő üzemyanyag-keverékkel (üzemyanyag, olaj, olaj aránya) használt termékre
 - külső (vegyi, fizikai, ütés) hatásokból vagy idegen anyagokból eredő károokra
 - a cserélhető alkatrészek természetes kopására és elhasználódására
 - a szerszám helytelen használatára, túlterhelésére
 - nem jóváhagyott tartozékok és alkatrészek használatára
 - A karburátorok rendszeres beállítása, karbantartása, tisztítása
 - A természetes kopásnak és elhasználódásnak kitett alkatrészek és kiegészítők, például (de nem kizárólag) damildobok, ékszíjak, foglalatok, sövényvágók és fűnyírók kése, heveder, gázbowden, szénkefék, tápkábel, kultivátorfogak, ficalátétek, akasztószögek, fűvókészlékek ventilátora, fűvó- és szívócsövek, szívózsák és pántok, terelőrudak, fűrészláncok, tömlők, csatlakozószerevények, permetezőfejek, kerekék, permetezőszárak, belső dobok, külső csévék, vágódamilok, gyújtógyertyák, légszűrők, gázsűrők, mulcsözőkésék stb.
4. A terméket javításra el kell vinni egy meghatalmazott RYOBI szervizbe; ezeket az egyes országokhoz a következő listában találja. Egyes országokban a helyi RYOBI kereskedő vállalja a termék elszállítását a RYOBI szervizbe. A terméket veszélyes tartalom, például benzín nélkül csomagolva, a feladó címét feltüntetve, a hiba rövid leírásával együtt küldje el a RYOBI szervizbe.
5. A jelen garancia hatálya alatt végzett javítás, illetve csere ingyenes. Nem jelenti a garanciális időtartam újraindulását. A kicserélt alkatrészek és szerszámok a mi tulajdonunkba kerülnek. Egyes országokban a szállítás vagy postázás költségét a feladó viseli. A vevőnek a szerszám megvásárlásából adódó törvényes jogai nem változnak.
6. Ez a garancia az Európai Közösségben, Svájcban, Izlandon, Norvégian, Liechtensteinben, a Törökországban, Oroszországban és az Egyesült Királyságban érvényes. E területen kívül kérdezze meg a RYOBI forgalmazót, hogy milyen garancia van érvényben.

HIVATALOS SZERVIZKÖZPONT

Ha bármilyen kérésre vagy problémájára van a termékkel kapcsolatban, forduljon a helyi hivatalos szervizközpontozhoz (látogasson el a www.ryobitools.eu oldalra), vagy közvetlenül ide: Techtronic Industries GmbH, Max Eyth Straße 10, 71364 Winnenden, Germany. Adja meg a címére nyomtatott sorozatszámot és terméktípust.

RO CONDIȚII DE APLICARE A GARANȚIEI PENTRU PRODUSELE RYOBI®

În plus față de condițiile statutare rezultate din achiziționarea acestui produs, acesta este acoperit de garanția stipulată mai jos.

1. Perioada de garanție este de 24 de luni pentru consumatori și începe de la data achiziționării produsului. Data de începere a garanției trebuie demonstrată cu o factură sau altă dovadă a cumpărării produsului. Produsul este destinat și conceput doar pentru utilizare în scopuri personale. Din acest motiv, nu se oferă garanție pentru utilizarea sa în scop profesional sau comercial.
2. Există posibilitatea de extindere a perioadei de garanție pentru gama de unelte electrice pentru grădini (de CA/CC) peste perioada stipulată mai sus prin înscrierea produsului pe website-ul www.ryobitools.eu. Eligibilitatea pentru perioada de extindere a garanției este afișată în mod clar în magazinele de vânzare și/sau pe ambalaj sau este inclusă în documentația livrată împreună cu produsul. Utilizatorul final este obligat să-și înregistreze produsul online în termen de maxim 30 de zile de la achiziția acestuia. Utilizatorul final poate înregistra produsul pentru garanția extinsă oferită în țara sa de rezidență dacă aceasta este listată în formularul de înregistrare online și dacă această opțiune este validă. În plus, utilizatorul final trebuie să-și dea acordul pentru stocarea datelor personale solicitate la înregistrarea online și trebuie să accepte termenii și condițiile. Mesajul de confirmare a înregistrării, trimis prin e-mail și factura originală cu data achiziției vor dovedi perioada de garanție extinsă.
3. Garanția acoperă toate defecțiunile producției survenite în perioada de garanție datorate defectelor de execuție sau materialelor folosite, începând cu data achiziției acestuia. Garanția este limitată la reparare și/sau înlocuire și nu include alte obligații, inclusiv, dar fără a se limita la daune accidentale sau rezultate pe cale de consecință. Garanția își pierde valabilitatea dacă produsul este utilizat necorespunzător, utilizat neconform cu instrucțiunile de utilizare din manualul cu instrucțiuni sau conectat încorect. Garanția nu se aplică în cazul:
 - oricărei defecțiuni survenite în urma întreținerii necorespunzătoare a produsului
 - oricărui produs alterat sau modificat
 - oricărui produs la care inscripțiile cu date de identificare (marca comercială, numărul de serie) au fost șterse, modificate sau îndepărtate
 - oricărei defecțiuni datorate neconformării cu instrucțiunile din manualul de utilizare
 - oricărui produs necertificat CE
 - oricărui produs asupra căruia au fost efectuate tentative de reparare de către personal necalificat sau fără autorizație prealabilă din partea Techtronic Industries.
 - oricărui produs conectat la o sursă de alimentare necorespunzătoare (curent, tensiune, frecvență)
 - oricărui produs utilizat cu un amestec de carburant necorespunzător (combustibil, ulei, proporții de adaos ulei)
 - oricărui defecțiuni datorate unor influențe externe (chimice, fizice, șocuri) sau substanțe străine
 - uzurii și fisurării normale a pieselor de rezervă
 - utilizării neadevurate, suprautilizării uneltei
 - utilizării de piese și accesorii neaprobate
 - Orice operați de curățare sau reglare periodică a carburatorului
 - Componentele (piese și accesorii) supuse uzurii și defectării normale, care includ, fără a se limita la manșoane de protecție, curele de transmisie, ambreiaj, lamele de la tăietoarele de arbore sau gazon, hamașamente, cablu de accelerație, perii de carbon, cordon de alimentare, dinți, discuri de păsă, știfturi de siguranță, ventilatoare de suflet, tuburi de aspirare sau sulfare, sac de colectare resturi și banda de susținere a acestuia, bare de ghidare, lanțuri de fierăstrău, funtunuri, accesorii de conectare, duze de pulverizare, volante, baghete de pulverizare, mosoare interne, carcase exterioare pentru mosoare, fire tăietoare, bujii, filtre de aer, filtre de gaz, lame de tocător, etc.
4. Pentru efectuarea reparațiilor, produsul trebuie trimis sau adus la un centru de reparații autorizat RYOBI din lista următoare de centre de reparații prezentate pentru fiecare țară. În anumite țări, reprezentant local RYOBI va trimite produsul spre reparare la sediul central de reparații RYOBI. Atunci când trimiteți produsul spre reparare la un centru de reparații RYOBI, acesta trebuie ambalat în siguranță, fără conținut periculos (cum ar fi benzina), marcat cu adresa expeditorului și însoțit de o scurtă descriere a defectului.
5. Repararea/înlocuirea în perioada de garanție este gratuită. Aceasta nu este însoțită de o prelungire sau o reințiere a perioadei de garanție. Piesele sau uneltele schimbate devin proprietatea dvs. În anumite țări, taxele de expediție sau poștale vor fi suportate de expeditor. Drepturile dvs. statutare rezultate din achiziția produsului rămân neschimbate.
6. Această garanție este valabilă în Comunitatea Europeană, Elveția, Islanda, Norvegia, Liechtenstein, Turcia, Rusia și Marea Britanie. În afara acestor zone, vă rugăm să contactați reprezentantul dvs. local RYOBI pentru a determina dacă se aplică alt tip de garanție.

CENTRU DE SERVICE AUTORIZAT

Orice întrebare sau problemă în legătură cu produsul se poate adresa la centrele locale autorizate de service (vizitați www.ryobitools.eu sau direct la: Techtronic Industries GmbH, Max Eyth Straße 10, 71364 Winnenden, Germany. Vă rugăm să specificați numărul de serie și tipul de produs tipărite pe etichetă.

LV RYOBI® GARANTIJAS PIEMĒROŠANAS NOSACĪJUMI

Papildus jebkādam likumiskajam tiesībām, kuras rodas, veicot pirkumu, izstrādājums tiek nodrošināts ar tālāk tekstā noteikto garantiju.

1. Garantijas periods patērētājiem ir 24 mēneši, tā atskaite tiek sākta no datuma, kurā veikta izstrādājuma iegāde. Šim datumam jābūt dokumentētam rēķinā vai citā pirkumu apliecināšā dokumentā. Izstrādājums ir radīts un paredzēts tikai patērētāja privātai lietošanai. Saistībā ar iepriekšminēto, garantija netiek nodrošināta profesionālās vai komerciālās lietošanas gadījumā.
2. Pastāv iespēja pagarināt daļas no dārza instrumentu klāsta (Mainstrāvas/akumulatoru) garantiju ilgāk par iepriekš minēto periodu, izmantojot reģistrāciju interneta vietnē www.ryobitools.eu. Instrumenti, kas pakļauti garantijas perioda pagarināšanai, tiek skaidri apzīmēti veikalos un/vai uz iepakojuma un izstrādājumu komplektējošajā dokumentācijā. Gala lietotājam nepieciešams reģistrē tā iegādāto jauno instrumentu 30 dienu laikā no pirkuma datuma. Gala lietotājs var reģistrēties pagarinātajai garantijai savā mītnes valstī, ja tā minēta tiešsaistes reģistrācijas veidlapā, kurā šī iespēja ir aktīva. Bez tam, gala lietotājam ir jāsniedz pierādīšana tiešsaistes ievadīšanai nepieciešamo datu glabāšanai un jāpiekrīt noteikumiem un nosacījumiem. Reģistrācijas apstiprinājums, kas tiek nosūtīts, izmantojot e-pastu, un rēķina oriģināls, kurā norādīts iegādes datums, kalpo kā pagarinātās garantijas apstiprinājums.
3. Garantija attiecas uz visiem izstrādājuma defektiem garantijas periodā, kas saistīti ar ražošanas vai materiālu defektiem no pirkuma datuma. Šī garantija tiek ierobežota ar remontu un/vai nomaiņu un neietver jebkādas citas saistības, tajā skaitā, bet ne tikai, cēlonisakarīgos vai saistītos bojājumus. Garantija nav spēkā, ja izstrādājums ir nepareizi lietots, izmantots pretējai norādē lietošanas rokasgrāmātā vai bijis nepareizi pieslēgts. Šī garantija netiek attiecināta uz:
 - jebkādiem izstrādājuma bojājumiem, kas radušies nepareizas uzturēšanas rezultātā
 - jebkuru izstrādājumu, kas ticis pārveidots vai mainīts
 - jebkuru izstrādājumu, kura oriģinālās identifikācijas (preču zīme, sērijas numurs) marķējums ir ticis nodzēsts, mainīts vai noņemts
 - jebkādiem bojājumiem, kuri radušies neievērojot norādes lietošanas rokasgrāmātā
 - jebkādam izstrādājumam bez CE sertifikācijas
 - jebkurai izstrādājumam, kura remontu mēģinājis veikt nekvalificēts personāls vai bez Technronic Industries iepriekšējas autorizācijas.
 - jebkurai izstrādājumam, kurš bijis pieslēgts neatbilstošu parametru (strāvas, sprieguma, frekvences) sprieguma avotam
 - jebkurai izstrādājumam, kurš bijis izmantots ar nepareizu degvielas maisījumu (degviela, eļļa, eļļas procentuālais saturs)
 - jebkuriem bojājumiem, kuri radušies ārējas iedarbības (ķīmiskas, fiziskas, triecieni) vai vielu ietekmē
 - detaļu normāla lietošanas nodiluma rezultātā
 - nepareizas lietošanas vai instrumentu pārlodes rezultātā
 - neapstiprinātā detaļu vai aprīkojuma lietošanas rezultātā
 - jebkādos periodiskus karburatoru regulēšanas darbus vai apkopes tīrīšanu
 - Komponentus (daļas un aksesuārus), kas pakļauti dabīgām nodilumam, ieskaitot, bet neaprobežojoties ar atsitiena pogām, piedziņas siksniņām, sajūgiem, krūmu šķēru un plaujmašīnu asmeņiem, uzkabēm, droseļju trosītēm, ogļekļa sukām, elektrības vadiem, tapām, filca paplākšiem, sakabes tapām, pūtēja ventilatoriem, pūtēja un sūkšanas caurulēm, savākšanas maisiem un siksniņām, vadočņu plankām, zaģu ķēdēm, šūtenēm, savienojumu uzgaļiem, izsmidzinātāja uzgaļiem, riteņiem, izsmidzinātāja caurulēm, iekšējām spoļēm, ārējām spoļēm, plaušanas auklām, aizdedzes svečēm, gaisa filtriem, degvielas filtriem, mulčēšanas asmeņiem, utt.
4. Servisa nodrošināšanai, izstrādājums ir jānodod pilnvarotā RYOBI servisa centrā, kas norādīts katrai valstij tālāk minētajā servisa centru adresē sarakstā. Dažās valstīs Jūsu vietējais RYOBI izplatītājs uzņemas izstrādājuma nosūtīšanu uz RYOBI servisa organizāciju. Nosūtīt izstrādājumu uz RYOBI servisa centru, izstrādājuma jābūt droši iepakotam, tas nedrīkst saturēt bīstamas vielas kā degvielu, sūttīrumam jābūt marķētam ar sūttāja adresi un īsu kļūmes aprakstu.
5. Remonts/nomainīšana šīs garantijas ietvaros ir bezmaksas. Tas nerada garantijas perioda pagarināšanu vai jaunu garantiju. Nomainītās daļas vai instrumentu kļūst par mūsu īpašumu. Dažās valstīs piegādes vai pasta izmaksas būs jāapmaksā sūttājam. Jūsu likumiskās tiesības, kas nodrošinātas, iegādājoties instrumentu, paliek nemainīgas
6. Šī garantija ir spēkā Eiropas Kopienā, Šveicē, Islandē, Norvēģijā, Lihtenšteinā, Turcijā, Krievijā un Apvienotajā Karalistē. Ārpus šīm teritorijām, lūdzu, sazinieties ar jūsu pilnvaroto RYOBI izplatītāju, lai noteiktu, vai ir piemērojama cita garantija.

AUTORIZĒTS APKALPOŠANAS CENTRS

Ar jebkuru pieprasījumu vai problēmu, kas saistīta ar produktu, var vērsties Jūsu vietējā pilnvarotā servisa centrā (apmeklējiet www.ryobitools.eu) vai tieši pie: Technronic Industries GmbH, Max Eyth StraĶe 10, 71364 Winnenden, Germany, Lūdzu, norādiet sērijas numuru un produkta tipu, kas norādīts uz etiķetes.

LT „RYOBI®“ GARANTIJOS TAIKĀMO SĀLYGOS

Papildant bet kokias įstatymuose numatytas perkant atsirandančias teises, űiam įrenginiui taikoma toliau nurodyta garantija.

1. Vartotojams suteikiama 24 mėnesių trukmės garantija nuo įrenginio įsigijimo datos. Ši data turi būti nurodyta sąskaitoje faktūroje ar kitame pirkimą įrodančiame dokumente. Šis įrenginys skirtas tik vartotojų rinkai ir asmeniniam naudojimui. Todėl garantija netaikoma, jei įrenginys naudojamas profesinėms ar komercinėms reikmėms.
2. Įsigijus tam tikrus sodo įrenginius (AC/DC), suteikiama galimybė prašyti garantiją, kad ji galiojotų ilgiau, nei nurodyta pirmiau, naudojantis registracija interneto svetainėje www.ryobitools.eu. Ar galima prašyti įrenginio garantijos laikotarpį, aiškiai nurodoma produotuovėse ir (arba) ant įrenginio pakotės, ir (arba) įrenginio dokumentuose. Galutinis naudotojas turi užregistruoti savo naujai įsigytą įrenginį per 30 dienų nuo įsigijimo datos. Galutinis naudotojas gali registruotis išplėstinei garantijai savo gyvenamojoje šalyje, jei ji nurodyta internetinėje registracijos formoje, kurioje siūloma tokia galimybė. Be to, galutiniai naudotojai turi sutikti su duomenų, kuriuos reikia įvesti internetu, saugojimu ir svetainės naudojimo sąlygomis. Kaip išplėstinės garantijos įrodymas naudojamas registracijos patvirtinimo kvitas, atsiunčiamas eil. paštu, ir originali sąskaita faktūra, kurioje nurodyta įsigijimo data.
3. Ši garantija apima visus garantiniu laikotarpiu aptiktus įrenginio trūkumus, atsiradusius dėl gamybos arba medžiaginių defektų nuo įsigijimo datos. Ši garantija ribojama remontu ir (arba) pakeitimu, ir neapima jokių kitų įsipareigojimų, įskaitant (bet tuo neapsiribojant) šaltinius arba atrinčius nuostolius. Garantija anuluojama, jei įrenginys buvo naudojamas netinkamai, naudojamas ne pagal naudojimo instrukciją arba netinkamai prijungtas. Ši garantija netaikoma:
 - jokiai įrenginiui padarytai žalai, kurią lemė netinkama techninė priežiūra;
 - jokiai įrenginiui, kuris buvo keičiamas ar modifikuojamas;
 - jokiai įrenginiui, kurio originalūs identifikavimo ženklai (prekės ženklas, serijos numeris) buvo sugadinti, pakeisti arba pašalinti;
 - jokiai žalai, kurią lemė naudojimo instrukcijos nesilaikymas;
 - jokiems CE ženklų nepažymėtiems įrenginiams;
 - jokiai įrenginiui, kurį bandė remontuoti nekvalifikuoti asmenys arba kuris buvo remontuojamas be „Technronic Industries“ leidimo;
 - jokiai įrenginiui, kuris buvo prijungtas prie netinkamo maitinimo tinklo (netinkamos srovės, įtampos, dažnio);
 - jokiai įrenginiui, kuris buvo naudojamas su netinkamu degalų mišiniu (degalai, alyva, maišymo santykis);
 - jokiai žalai, kurią lemė išorinis poveikis (cheminis, fizinis, smūgiai) arba pašalinės medžiagos;
 - dėvimosioms dalims;
 - netinkamam naudojimui, įrenginio perkrovai;
 - nepatvirtintų priedų arba dalių naudojimui;
 - Jokiam reguliariam karbiuratorių reguliavimui arba priežiūros ir valymo darbams
 - Komponentams (dalims ir priedams), kurie natūraliai dėvisi, įskaitant (bet tuo neapsiribojant) spyruoklines galvutes, pavarų diržus, sankabą, gyvatvorių genėtuvą ar žoliapjovių geležtes, diržus, trosinį droselį, angliūns šepetėlius, maitinimo kabelį, virbus, fetro poveržes, prikabinimo kaiščius, pūstuvo ventilatorius, pūstuvo ir siurblio vamzdžius, siurblio maišą ir diržus, purkiamuosius strypus, pjūklo grandines, žarneles, jungiamąsias detales, purškimo angaliūns, ratus, purškimo liestukus, vidines rites, išorines rites, pjovimo vielą, uždegimo žvakės, oro filtrus, dujų filtrus, mulčiamo geležtes ir pan.
4. Prireikus atlikti priežiūros darbus, įrenginį reikia siųsti arba atvežti RYOBI įgaliotajam priežiūros centrui, nurodytam kiekvienos šalies priežiūros centrų adresų sąrašė. Kai kuriose šalyse vietinis RYOBI atstovas siunčia įrenginį RYOBI priežiūros organizacijai. Siunčiant įrenginį RYOBI priežiūros centrui, reikia saugiai jį supakuoti pašalinant visas pavojingas medžiagas, pvz., benzina, nurodyti ant pakotės suintęto adresą ir pridėti trumpą gedimo aprašymą.
5. Pagal űią garantiją remontas / keitimas atliekami nemokamai. Tokie veiksmi netaikomi garantijos prašėjimu arba naujo garantinio laikotarpio pradžia. Dalsys arba įrenginiai, kuriuos pakeitėme, tampa mūsų nuosavybe. Kai kuriose šalyse pristatymo ir pašto išlaidas turi padengti siuntėjas. Įstatymuose numatytos jūsų teisės, atsirandausios perkant įrenginį, lieka nepažeistos
6. Ši garantija galioja Europos Bendrijos šalyse, Šveicarijoje, Islandijoje, Norvegijoje, Lihtenšteinė, Turkiijoje, Rusijoje ir Jungtinėje Karalystėje. Jei gyvenate ne űiose šalyse, kreipkitės į įgaliotąjį RYOBI atstovą ir sužinokite, ar jums taikoma kita garantija.

ĮGALIOTOS TECHNINĖS PRIEŽIŪROS CENTRAS

Jei turite kokių nors pageidavimų ar problemų, susijusių su űiuo gaminiu, galite kreiptis į artimiausią įgaliotąjį techninės priežiūros centrą apsilankydami www.ryobitools.eu arba tiesiogiai: Technronic Industries GmbH, Max Eyth StraĶe 10, 71364 Winnenden, Germany. Nurodykite etiketėje išspausdintą serijos numerį ir gaminio tipą.

ET RYOBI® GARANTIINGIMUSED

Lisaks toote ostu tulenevatele seadusjärgsetele õigustele, kehtib tootele ka alltoodud garantia.

1. Tarbijatele on garantiaeg 24 kuud ja algab sellel kuupäeval, mil toode osteti. Selle kuupäeva täpsustamiseks on vaja arvet või mõnda teist tõendit ostu sooritamise kohta. Toode on mõeldud eratarbijatele ainult isiklikeks kasutamiseks. Seega ei kehti garantii ostu kasutamisel kutsetegevuses või kaubanduslikel eesmärkidel.
2. Teatud osale (vahelduvvoolu/alisvoolu) aiatööriistadele on võimalik pikendada eespool toodud garantiaega, kasutades toote registreerimist veebilehel www.ryobitools.eu. Teave tööriista võimaliku pikendatud garantiaaja kohta on selgelt esile toodud poodides ja/või pakendil / ning see sisaldub toote dokumentatsioonis. Lõpftarbija peab registreerima oma uued tööriistad interneti teel 30 päeva jooksul pärast ostopäeva. Lõppkasutaja võib registreerida pikendatud garantiaaja saamise oma elukohariigis, kui veebis olevas registreerimisvormis on see valik lubatav. Lisaks peavad kasutajad andma oma nõusoleku veebis nõutud sisestatavate andmete säilitamiseks ning nad peavad nõustuma tingimustega. E-posti teel saadetak registreerimise kinnitus ja arve originaal, kus on näha ostu sooritamise kuupäev, on pikendatud garantiaaja töestuseks.
3. Garantii katab kõik defektid toote garantiaaja jooksul, kui ostu kuupäeval ilmnevad talitus- või materjalivead. Garantii piirub toote remondi ja/ või väljavahetamisega ning ei sisalda muid kohustusi, muu hulgas ettenägematuid või kaudseid kahjusid. Garantii ei kehti, kui toodet ei ole kasutatud sihtotstarbelselt või kooskõlas kasutusjuhendiga või see on valesti ühendatud. Garantii ei kehti järgmistel põhjustel:
 - toode on kahjustatud vale hoolduse tõttu
 - toodet on muudetud
 - toote algupäraseid identifitseerimismärgised (kaubamärk, seerianumber) on rikutud, muudetud või eemaldatud
 - kahju on tekkinud kasutusjuhendi mittejärgimisest
 - tootel puudub CE-märgis
 - toodet on püüdnud remondida vastavalt kvalifikatsiooni mitte omav isik või ilma firma Technonic Industries eelneva loata.
 - toode on ühendatud valesse tööalaiklasse (voolutugevus, pinge, sagedus)
 - tootega kasutatav sobimatu kütusesegu (kütus, õli, õli protsent)
 - välismõjude (keemilised, füüsikalised, elektrilöögid) või võrkehade tekitatud kahju
 - tavapärase kulumine ja katkised varuosad
 - ebaõige kasutamine, tööriista ülekoormamine
 - heakskiitmata tarvikute või osade kasutamine
 - Karburaatorite korralised reguleerimistööd või hooldus- ja puhastustööd
 - Komponentid (osad ja tarvikud), mida iseloomustab kulumine ja vananemine, muu hulgas puutenupud, kiilrihmad, sidur, hekilõikurite või murrumüüdkite lõiketerad, rakmed, gaasistross, süsinikharjad, toitejuhe, freesiterad, viildist selbid, tihtivid, õhuventilaatorid, puhuri- ja imuriturd, kogumiskott ja riimad, juhikud, saeketid, voolikud, liitmikud, pihusti otsakud, rattad, pritsi varred, sisemisised poolid, välismised poolid, jõhvivid, süüteküünlad, õhufiltrid, gaasifiltrid, multšimisterad jne.
4. Hoolduseks peab toote saatma või viima RYOBI volitatud teenindusse, mille aadressi leiata järgnevast teeninduspunkti nimekirjast vastava riigi alt. Mõnedes riikides võtab kohalik RYOBI edasimüüja enda kanda kohustuse saata toode RYOBI teenindusorganisatsiooni. Toota saatmisel RYOBI teenindusse peab toode olema ohutult pakitud ja ei tohi sisaldada ohtlikke aineid (nt bensiini), kirjas peab olema saatja aadress ja lisatud vea lühikirjeldus.
5. Garantii alusel tehtavad remonditööd / asendamine on tasuta. See ei pikenda garantii kehtivusaega ega tähistava ühe garantiaaja algust. Väljavahetatud osad või tööriistad kuuluvad meile. Mõnedes riikides maksab kätteoimetamis- ja postikulud saatja. Teile jäävad kehtima tööriista ostust tulenevad seadusjärgsed õigused
6. See garantii kehtib Euroopa Liidus, Šveitsis, Islandil, Norras, Liechtensteinis, Türgis, Venemaal ja Ühendkuningriigis. Väljaspool neid piirkondi võtke ühendust volitatud RYOBI edasimüüjaga, et teha kindlaks kas kehtib mõni teine garantii.

VOLITATUD HOOLDUSKESKUS

Tootega seotud päringute või probleemide korral pöörduge kohaliku volitatud hoolduskeskuse poole (vt www.ryobitools.eu) või otse aadressile: Technonic Industries GmbH, Max Eyth Straße 10, 71364 Winnenden, Germany. Märkige ära sildil olev seerianumber ja toote tüüp.

HR UVJETI PRIMJENE JAMSTVA TVRTKE RYOBI®

Osim svim zakonskim pravima koja proizlaze iz kupnje, ovaj je proizvod pokriven jamstvom kako je navedeno u nastavku.

1. Jamstveno razdoblje za potrošače traje 24 mjeseca i počinje s datumom na koji je proizvod kupljen. Taj datum mora se dokumentirati računom ili drugim dokazom o kupnji. Proizvod je konstruiran i namijenjen samo za privatnu upotrebu korisnika. Stoga se jamstvo ne daje u slučaju profesionalne ili komercijalne uporabe.
2. Postoji mogućnost da se za dio asortimana vrtnih alata pokretanih izmjeničnom strujom (AC/DC) produži goro navedeno jamstveno razdoblje putem registriranja na mrežnom mjestu www.ryobitools.eu. Uvjeti koje je potrebno zadovoljiti kako bi se produžilo jamstveno razdoblje jasno su istaknuti u prodavaonici a i / ili na pakiranju / i nalaze se unutar dokumentacije proizvoda. Krajnji korisnik mora registrirati svoje novo kupljene alate na mreži u roku od 30 dana od datuma kupnje. Krajnji korisnik može se registrirati za produženo jamstvo u svojoj zemlji boravišta ako se nalazi na popisu u mrežnom obrascu za registraciju gdje je ta opcija važeća. Nadalje, krajnji korisnici moraju dati svoj pristanak na pohranu podataka koji su potrebni za mrežni ulazak i moraju prihvatiti odredbe i uvjete. Potvrda o prijemu registracije, koja se šalje putem e-pošte, kao i originalni račun s vidljivim datumom kupnje poslužit će kao dokaz proizuđenog jamstva.
3. Jamstvo pokriva sve nedostatke proizvoda tijekom jamstvenog razdoblja koji su nastali zbog neispravnosti prilikom izrade ili materijala s datumom kupnje. Jamstvo je ograničeno na popravak i/ili zamjenu i ne obuhvaća nikakve druge obveze, uključujući, ali ne ograničavajući se na slučajne ili posljedice štete. Jamstvo ne vrijedi ako je proizvod bio zlorabljivan, korišten u suprotnosti s priručnikom s uputama ili ako je pogrešno spojen. Ovo jamstvo ne primjenjuje se na:
 - svako oštećenje proizvoda koje je rezultat nepravilnog održavanja
 - svaki proizvod koji je izmijenjen ili modificiran
 - svaki proizvod gdje su originalne identifikacijske oznake (zaštitni znak, serijski broj) izbrisane, zamijenjene ili uklonjene
 - svako oštećenje uzrokovano nepridržavanjem korisničkog priručnika
 - svaki proizvod koji nije CE
 - svaki proizvod koji je pokušao popraviti nekvalificirani profesionalac ili bez prethodnog odobrenja od strane Technonic Industries
 - svaki proizvod priključen na nepravilno napajanje energijom (amperi, napon, frekvencija)
 - Svaki proizvod korišten s neodgovarajućom mješavinom (gorivo, ulje, potstok ulja)
 - svako oštećenje uzrokovano vanjskim utjecajima (kemijsko, fiziko, udar) ili stranim stvarima
 - normalno trošenje i habanje rezervnih dijelova
 - nepravilno korištenje, preopterećenje alata
 - korištenje neodobrenog dodatnog pribora ili dijelova
 - rasplinjača nakon 6 mjeseci, podešavanje rasplinjača nakon 6 mjeseci
 - komponente (uključivo i dodatni pribor) koji su predmet prirodnog trošenja i habanja, uključujući no ne ograničavajući se na gume za otuštanje, pogonske remene, spojku, oštrice trimera za grmlje ili kosilicu, kope, sađe gasa, ugljene četke, kabele za napajanje, noževe, podloške, ztike za zglobnu vezu, ventilatore puhalice, cijevi za ispuhivanje i usisavanje, vakuumske vrećice i trake, vodilice, lance pile, crijeva, priključene elemente, mlaznice za raspršivanje, kotače, koplja za raspršivanje, unutarnje kolote, vanjske kaleme, flaksove, svjećice, filtre za zrak, filtre za plin, oštrice za usitnjavanje itd.
4. Za potrebe servisiranja, proizvod se mora poslati ili odnijeti u ovlaštenu servisnu postaju tvrtke RYOBI navedenu na sljedećem popisu s adresama servisnih postaja u svakoj zemlji. U nekim zemljama, vaš lokalni RYOBI zastupnik obvezuje se da će poslati proizvod u servisnu organizaciju tvrtke RYOBI. Kada se proizvod šalje u neku servisnu postaju tvrtke RYOBI, proizvod se mora sigurno pakirati bez ijednog od opasnih sadržaja kao što je benzin, na njemu mora pisati adresa pošiljatelja i mora biti popraćen kratkim opisom kvara.
5. Popravak / zamjena pod ovim jamstvom su besplatni. Oni ne predstavljaju produženje ili novi početak jamstvenog razdoblja. Zamijenjeni dijelovi ili alati postaju naše vlasništvo. U nekim državama troškove isporuke ili poštarinu mora platiti pošiljatelj. Vaša zakonska prava koja proizlaze iz kupnje alata ostaju nepromijenjena
6. Ovo jamstvo je valjano u zemljama Europske zajednice, Švicarskoj, Islandu, Norveškoj, Lihtenštajnu, Turskoj, Rusiji i Ujedinjenoj Kraljevini. Izvan tih područja vas molimo da se obratite svojem ovlaštenom zastupniku tvrtke RYOBI kako biste utvrdili primjenjuje li se drugo jamstvo.

OVLASTENI SERVISNI CENTAR

Za svaki zahtjev ili problem s proizvodom možete se obratiti vašim ovlaštenim servisnim centrima (posjetite adresu www.ryobitools.eu) ili izravno na: Technonic Industries GmbH, Max Eyth Straße 10, 71364 Winnenden, Germany. Navedite serijski broj i vrstu proizvoda ovisno na naljepnici.



SL POGOJI ZA VELJAVNOST GARANCIJE RYOBI®

Poleg morebitnih zakonsko določenih pravic, ki izvirajo iz nakupa, za ta izdelek velja spodaj navedena garancija.

- Garancijsko obdobje je za potrošnike 24 mesecev in začne teči z dnem nakupa izdelka. Ta datum mora biti dokumentiran z računom ali drugim dokazilom o nakupu. Izdelek je zasnovan in namenjen izključno za potrošniško zasebno uporabo. V primeru strokovne oziroma komercialne uporabe izdelka garancija ne velja.
- Obstaja možnost podaljšanja garancije na del naše ponudbe vrtnih orodij (AC/DC) prek obdobja garancije, opisanega zgoraj, s pomočjo registracije na spletnem mestu www.ryobitools.eu. Ustreznost orodij za podaljšanje garancijskega obdobja je jasno prikazana v trgovinah in/ali na embalaži oziroma je navedena v dokumentaciji izdelka. Končni uporabnik mora registrirati svoje novo orodje na spletu v 30 dneh po datumu nakupa. Končni uporabnik lahko registrira podaljšano garancijo v svoji državi bivanja, če je na obrazcu spletne registracije navedeno, da ta možnost velja za njegovo državo. Poleg tega morajo končni uporabniki podati svoje soglasje za shranjevanje podatkov, ki so potrebni za spletni dostop in morajo sprejeti pogoje in določila uporabe spletnega mesta. Potrdilo o registraciji, ki ga pošljemo prek e-pošte, in originalni račun, ki prikazuje datum nakupa, služita kot dokazilo o podaljšani garanciji.
- Garancija krije vse okvare izdelka, do katerih pride v garancijskem obdobju zaradi napak v izdelavi ali materialu, ki so bile prisotne ob datumu nakupa. Garancija je omejena na popravilo in/ali zamenjavo in ne vključuje nobenih drugih obveznosti, med drugim vključno z naključno ali posledično škodo. Garancija ne velja, če je bil izdelek napačno uporabljen, uporabljen v nasprotju z navodili iz priložnice za uporabo ali če ni bil pravilno povezan. Ta garancija ne velja za:
 - škodo na izdelku, ki je posledica neustreznega vzdrževanja
 - spremenjen ali prilagojen izdelek
 - izdelek, katerega originalna identifikacijska oznaka (blagovna znamka, serijska številka) je bil poškodovan/a, spremenjena ali odstranjena
 - škodo, ki je posledica neupoštevanja navodil iz priložnice za uporabo
 - izdelek, ki nima oznake CE
 - izdelek, ki ga je poskušal popraviti nekvalificiran strokovnjak ali ki je bil popravljen brez predhodne odobritve s strani družbe Technonic Industries.
 - izdelek, ki je bil povezan na neustrezno napajanje (amperska moč, napetost, frekvenca)
 - izdelek, ki je bil uporabljen z neustrezno mešanico goriva (gorivo, olje, odstotek olja)
 - škodo, ki jo povzročijo zunanji vplivi (kemični, fizični, mehanski) ali tuje snovi
 - rezervne dele, ki so podvrženi običajni uporabi
 - neprimerno uporabo, preobremenitev orodja
 - uporabo neodobrenih dodatkov ali delov
 - Vsako redno prilagajanje ali vzdrževalno čiščenje uplinjačev
 - Komponente (sestavni in rezervni deli), ki so podvrženi običajni obrabi, med drugim vključno z gumbi odbojca, pogonskimi jermeni, sklopko, rezili obrezovalnikov za žive meje ali kosilnic za trato, nosilnimi pasovi, kablji, dušilnimi ventili, oglikovimi krtačkami, napajalnimi kablji, zobci, tesnili iz flica, veznimi zatiči, ventilatorji pihalnika, cevmi pihalnika in sesalnika, vrečko in pasovi sesalnika, vodilnimi palicami, verigami motorne žage, cevmi, priključki, razpršilnimi šobami, kolesi, razpršilnimi palicami, notranjimi kolesci, zunanji motli, rezalnimi vrvicami, vzglagalnimi svečkami, zračnimi filtri, plinskimi filtri, rezili za mulčenje itd.
- Za servisiranje morate izdelek poslati ali prinesiti v pooblaščen servisni center družbe RYOBI, ki je naveden za vsako državo na naslednjem seznamu naslovov servisnih centrov. V nekaterih državah se vaš lokalni posrednik družbe RYOBI obveže, da bo poslal izdelek na servis družbe RYOBI. Ko pošiljate izdelek v servisni center družbe RYOBI, mora biti izdelek varno zapakiran in ne sme vsebovati nobenih nevarnih snovi, kot je npr. bencin, opremljen pa mora biti z naslovom pošiljatelja in vsebovati kratek opis napake.
- Popravilo/zamenjava v skladu s to garancijo sta brezplačni storitvi. To pa ne predstavlja podaljšanja ali ponovnega začetka garancijskega obdobja. Zamenjani deli ali orodja postanejo naša last. V nekaterih državah stroške dostave ali poštno plača pošiljatelj. Vaše zakonsko določene pravice, ki izvirajo iz nakupa orodja, ostajajo nespremenjene.
- Ta garancija velja v Evropski skupnosti, Švici, na Islandiji, Norveškem, v Lichtenštajnu, Turčiji, Rusiji in Združenem kraljestvu. Izven teh območij se obrnite na svojega pooblaščenega posrednika izdelkov RYOBI, dealer ki vam bo povedal, ali velja kakšna druga garancija.

POOBLAŠČEN SERVISNI CENTER

V primeru zahtev ali težav v zvezi z izdelkom se lahko obrnete na lokalne pooblaščenne servisne centre (obiside.www.ryobitools.eu) ali neposredno na: Technonic Industries GmbH, Max Eyth Straße 10, 71364 Winnenden, Germany, Prosimo, da navedete serijsko številko in tip izdelka, ki sta natisnjena na oznaki.

SK ZÁRUČNÉ PODMIENKY RYOBI®

Na tento výrobok sa okrem všetkých zákonných práv, vyplývajúcich z nákupu, vzťahuje záruka v nasledovnom znení.

- Záručná doba pre spotrebiteľa je 24 mesiacov a začína plynúť odo dňa, keď bol výrobok zakúpený. Tento dátum musí byť doložený faktúrou alebo iným dokladom o zakúpení. Výrobok je navrhnutý a určený pre spotrebiteľov a len na súkromné používanie. Preto sa záruka sa neposkytuje v prípade použitia na profesionálne a komerčné účely.
- V prípade záručného náradia (na striedavý/jednosmerný prúd AC/DC), existuje možnosť predĺženia záručnej doby oproti záručnej dobe, uvedenej vyššie, s využitím on-line registrácie na webovej stránke www.ryobitools.eu. Označenie na náradí o nároku na predĺženie záručnej doby je zreteľne uvedené v obchodoch a/alebo na obale a je uvedené v dokumentácii k výrobku. Koncový používateľ musí zaregistrovať svoje novozískané náradie on-line do 30 dní odo dňa nákupu. Koncový používateľ sa môže zaregistrovať na predĺženie záruku v krajine svojho bydliska, ak je v on-line registračnom formulári uvedená táto možnosť. Ďalej musia koncoví používatelia ešte dať svoj súhlas k uchovávaniu údajov, ktoré je potrebné zadať on-line a musia súhlasiť s podmienkami. Potvrdenie o prijatí registrácie, ktorý je zaslané e-mailom a original faktúry, v ktorej je uvedený dátum nákupu, slúžia ako dôkaz o predĺženej záruke.
- Záruka sa vzťahuje na všetky poruchy výrobku v záručnej dobe, spôsobené chybami materiálů alebo spracovania k dátumu nákupu. Táto záruka je obmedzená na opravu a/alebo výmenu a nezahŕňa ďalšie povinnosti, vrátane, okrem iných, náhodné alebo následné škody. Táto záruka je neplatná, ak bol výrobok nesprávne používaný, bol používaný v rozpore s návodom na použitie alebo bol nesprávne zapojený. Táto záruka sa nevzťahuje na:
 - akékoľvek poškodenie výrobku, ktoré bolo spôsobené nesprávnou obsluhou
 - akýkoľvek výrobok, ktorý bol zmenený alebo upravený
 - akýkoľvek výrobok, na ktorom bolo poškodené, upravené alebo odstránené identifikačné označenie (ochranná známka, výrobné číslo)
 - akékoľvek škody, spôsobené neodržaním návodu na obsluhu
 - akýkoľvek výrobok, ktorý neobsahuje označenie CE
 - akýkoľvek výrobok, ktorý sa pokúsil opraviť nekvalifikovaný odborník alebo bol opravený bez predchádzajúceho súhlasu zo strany spoločnosti Technonic Industries.
 - akýkoľvek výrobok, pripojený k nesprávnemu napájaciemu zdroju (ampéry, napätie, frekvencia)
 - akýkoľvek výrobok, používaný s nesprávnou palivovou zmesou (palivo, olej, percento oleja)
 - akékoľvek poškodenia, spôsobené vonkajšími vplyvmi (chemickými, fyzikálnymi, nárazmi) alebo cudzorodými látkami
 - bežné opotrebovanie náhradných dielov
 - nehodné použitie, preťažovanie nástroja
 - používanie neschváleného príslušenstva a dielov
 - Akékoľvek pravidelné úpravy alebo čistenie karburátorov, vykonávaných vrámi údržby
- Súčiastky (diely a príslušenstvo), ktoré podliehajú prirodzenému opotrebeniu, okrem iných, otočné gombíky, hnacie remene, spojka, nože na nožnice na živý plot alebo kosačku na trávu, poruhy, lanko škrtiacej klapky, uhľíky, napájací kábel, radičky, plstené podložky, závesné klince, lopatky fúkačov, trubice vysávača a fúkača, vak do vysávača a popruhy, vodiace lišty, rezavové pily, hadice, spojovacie armatúry, trysky, kolesá, striekacie rúry, vnútorné cievy, vonkajšie cievy, žacie lanká, zapalovacie sviečky, vzduchové filtre, benzínové filtre, mulčovacie nože atď.
- Na opravu musí byť výrobok odoslaný alebo doručený do autorizovaného servisného strediska RYOBI, uvedeného pre každú krajinu v nasledovnom zozname adries servisných stredísk. V niektorých krajinách miestny zástupca RYOBI preberá na seba záväzok zasiať tovar do servisnej organizácie RYOBI. Pri odoslaní výrobku do servisného strediska RYOBI je potrebné výrobok bezpečne zabaliť bez akéhokoľvek nebezpečného obsahu, ako je benzín, s vyznačením adresy odosielateľa, s krátkym popisom poruchy.
- Oprava/výmena je vrámi tejto záruky bezplatná. Neznamená to predĺženie záruky alebo splnenie novej záručnej doby. Vymenené diely alebo nástroje sa stávajú našim vlastníctvom. V niektorých krajinách náklady na odoslanie alebo poštovné musí zaplatiť odosielateľ. Vaše zákonné práva, vyplývajúce z nákupu náradia, zostávajú nedotknuté
- Táto záruka je platná v Európskych spoločenstvách, Švajčiarsku, Islande, Nórsku, Lichtenštajnsku, Turecku, Rusku a Spojenom kráľovstve. Ak sa nachádzate mimo týchto oblastí, obráťte sa na autorizovaného predajcu RYOBI na určenie, či sa dá uplatniť iná záruka.

AUTORIZOVANÉ SERVISNÉ CENTRUM

Všetky žiadosti alebo problémy s výrobkom možno adresovať miestnym autorizovaným servisným strediskám (navštívte www.ryobitools.eu) alebo priamo na: Technonic Industries GmbH, Max Eyth Straße 10, 71364 Winnenden, Germany. Uvedte sériové číslo a typ výrobku uvedeného na etikete.



BG УСЛОВИЯ ЗА ВАЛИДНОСТ НА ГАРАНЦИЯТА НА RYOBI®

В допълнение към законоустановените права, прозизтичащи от покупката, този продукт е обхванат от гаранция, както е изложено по-долу.

- Гаранционният срок е 24 месеца за клиенти и започва да тече от деня на закупуване на продукта. Тази дата трябва да се докаже с фактура или друго доказателство за покупка. Продуктът е изработен и предназначен само за потребителска и лична употреба. Следователно не се дава гаранция в случай на използване от професионалисти или с търговска цел.
- Съществува възможност за удължаване на гаранционния срок за част от диапазона на гаранцията на градински инструменти (AC/DC) след изчитането на описания тук чрез регистрацията на уеб сайта www.ryobitools.eu. В магазините и/или на опаковката или вътре в документацията на продукта е показано ясно дали инструментът отговаря на условията за такова удължаване на гаранционния срок. Крайният потребител трябва да регистрира своите новопридобити инструменти онлайн в рамките на 30 дни от датата на покупка. Крайният потребител може да се регистрира за удължена гаранция в държавата си на пребиваване, ако е посочена във формуляра за онлайн регистрация като място, където тази опция е валидна. Освен това крайните потребители трябва да дадат съгласието си за съхранение на данните, които са задължителни за ползване онлайн, и трябва да приемат общите условия. Полученото потвърждение за регистрация, изпратено по електронна поща, и оригиналната фактура, показваща датата на покупка, ще служат като доказателство за удължената гаранция.
- Гаранцията покрива всички дефекти на продукта по време на гаранционния срок, които се дължат на проблеми в изработката или материалите към момента на покупката. Гаранцията е ограничена до ремонт и/или замяна и не включва други задължения, включително, но не само, случайни или косвени щети. Гаранцията е невалидна, ако продуктът е използван неправилно или в противоречие с ръководството с инструкции, както и ако е свързан неправилно. Тази гаранция не важи за:
 - щети по продукта в резултат на неправилна профилактика
 - продукти, които са били изменени или модифицирани
 - продукт, при който оригиналните маркировки за идентификация (търговска марка, сериен номер) са изтрили, променени или премахнати
 - повреда, причинена от неспазване на ръководството с инструкции
 - продукт без CE маркировка
 - продукт, за който е направен опит за ремонт от неквалифициран специалист или без предварително разрешение от Techtronic Industries.
 - продукт, свързан към неподходящо електрозахранване (ампераж, волтаж, честота)
 - продукт, използван с неподходяща горивна смес (гориво, масло, процент масло)
 - щети, причинени от външни влияния (химични, физични, удари) или чужди вещества
 - нормално износване на резервни част
 - неподходяща употреба, претоварване на инструмента
 - използване на неодоборени аксесори или частиВсякакви периодични настройки или почистване с цел извършване на поддръжка на карбуратори
- Компоненти (част и аксесуари), подложени на естествено износване, включително, но не само, копчета за тласкане, задвижващи ремъци, съединител, остриета на ножици за жив плет или косачки за трева, презарки, кабелен дросел, карбонови четки, захранващ кабел, остриета, филцови шайби, осигурителни щифтове, вентилатори на уреди за обдухване, тръби за обдухване и всмукване, торба за отпадъци и ремъци, водещи шини, вериги за триони, маркучи, фитинги на конектори, дюзи, копела, пръскалки, вътрешни и външни макари, режещо влакно, запалителни свещи, въздушни филтри, горивни филтри, остриета за мулчиране и др.
- За обслужване продуктът трябва да се изпрати или занесе на авторизиран сервиз на RYOBI, посочен за всяка държава в следния списък с адреси на сервиси. В някои държави местният търговец на RYOBI поема отговорността да изпрати продукта до сервизен център на RYOBI. При изпращане на продукт до сервиз на RYOBI той трябва да е опакован безопасно без опасно съдържание, напр. бензин, да е маркиран с адреса на подателя и придружен от кратко описание на повредата.
- Ремонтът/замяната по силата на тази гаранция са безплатни. Те не водят до удължаване или подновяване на гаранционния срок. Сменените части или инструменти стават наша собственост. В някои държави таксите за доставка или изпращане трябва да се платят от подателя. Законоустановените ви права, прозизтичащи от закупуването на инструмента, остават незаосенгати
- Тази гаранция е валидна в Европейската общност, Швейцария, Islandия, Норвегия, Лихтенщайн, Турция и Обединеното кралство. Извън тези области се свържете с упълномощения търговец на RYOBI, за да се установи дали е приложима друга гаранция.

УПЪЛНОМОЩЕН СЕРВИЗЕН ЦЕНТЪР

Всички заявки или проблеми, свързани с продукта, могат да бъдат отправяни към местните упълномощени сервизни центрове (посетете www.ryobitools.eu) или директно до: Techtronic Industries GmbH, Max Eyth Straße 10, 71364 Winnenden, Germany. Посочете серийния номер и типа на продукта, отпечатани върху етикета.

UK ГАРАНТИЙНИ УМОВИ ДЛЯ RYOBI®

Окрім загалом установлених законом прав, що стосуються покупки, цей пристрій покривається гарантією, що зазначено нижче.

- Гарантійний період для споживачів складає 24 місяці і починається з моменту придбання цього пристрою. Ця дата повинна бути задокументована у гарантійному талоні або чеку, що підтверджує покупку. Цей пристрій був розроблений і призначений тільки для споживчого та приватного використання. У разі професійного або комерційного використання цього пристрою, він втрачає гарантію.
- Існує можливість продовжити гарантійний період, понад період описаний вище, для частини лінійки садових інструментів (перемінного/постійного струму) за допомогою реєстрації на сайті www.ryobitools.eu. Пристрої, які мають право на подовження гарантійного періоду, мають чіткі позначки щодо цього в магазинах і/або на упаковці і та документация до пристрою. Кінцевий користувач повинен зареєструвати його/її новопридбаний пристрій онлайн протягом 30 днів з дати покупки. Кінцевий користувач може зареєструватися для подовження гарантійного періоду в своїй країні постійного перебування, якщо вона є доступною у відповідній опції онлайн форми реєстрації. Крім того, кінцеві користувачі повинні дати свою згоду на зберігання даних, які необхідні для введення онлайн, а також вони повинні прийняти правила та умови. Отримання підтвердження реєстрації, яке відправляється на адресу електронної пошти, та оригінал гарантійного талона і зазначеною датою покупки буде слугувати доказом подовженої гарантії.
- Гарантія поширюється на всі дефекти пристрою протягом гарантійного терміну щодо недотримання стандартів виробництва або матеріалів на дату придбання. Гарантія обмежується ремонтом та/або заміною, та не включає в себе будь-яких інших зобов'язань, в тому числі, але не обмежена у разі випадкових та подальших пошкоджень. Гарантія не діє, якщо пристрій використовувався неналежним чином, всупереч інструкції з експлуатації або був неправильно підключений до мережі. Дана гарантія не поширюється на:
 - пристрої, що були пошкоджені у результаті неправильного технічного обслуговування;
 - пристрої, що були видозмінені або модифіковані;
 - пристрої, оригінальне ідентифікаційне (товарний знак, серійний номер) маркування яких було пошкоджене, змінено або видалено;
 - будь-які пошкодження, заподіяні недотриманням інструкції з експлуатації;
 - пристрої, що не мають маркування CE;
 - пристрої, що були відремонтовані некваліфікованим фахівцем або за відсутності попереднього дозволу від Techtronic Industries;
 - пристрої, підключені до невідповідного джерела живлення (сила току, напруження, частота);
 - пристрої, що використовувалися і невідповідно паливною сумішшю (паливом, оливою, відсотковою часткою оливи);
 - будь-які пошкодження спричинені зовнішнім впливом (хімічним, фізичним, стрибком напруги) або сторонніми речовинами;
 - нормальну амортизацію запасних частин;
 - невідповідне використання, перевантаження пристрою;
 - використання непідтверджених запасних частин або аксесуарів;
 - Будь-які періодичні коригування або технічне очищення карбураторів
 - Компоненти (частини та аксесуари) з урахуванням нормального зношування, враховуючи але без обмеження на імпульсні кнопки, ремені приводу, зчеплення, лева кушоріза або газонокосарки, ремені, троси дросельного клапану, вугільні щітки, шнур живлення, зубці, фетрові підкладки, зчіпні штири, вентилятори повітрорудки, труби пилосооса та повітрорудки, вакуумні мішки та накладки, напрямні, ланцюги, гнучкі шланги, з'єднувальні фитинги, розпилювальні насадки, колеса, жорсткі сопла, внутрішні котушки, зовнішні золотники, ріжучу волосін, свічки запалення, повітряні фільтри, протизагусні фільтри, мульчувальні лева, т.д.
- Для обслуговування, пристрій має бути відправлений або поданий до одного з авторизованих сервісних центрів RYOBI, які перелічені для кожної країни у наступному переліку адрес сервісних центрів. У деяких країнах місцевий дилер RYOBI зобов'язується відправити пристрій до сервісного центру RYOBI. При відправленні пристрою до сервісного центру RYOBI, пристрій має бути надійно упакований без будь-якого небезпечного вмісту, наприклад Бензину, з позначеною адресою відправника та супроводжуватися коротким описом несправності.
- Ремонт / заміна відповідно до цієї гарантії здійснюється безкоштовно. Це не є основою для подовження або початку нового гарантійного періоду. Замінені частини або прилади переходять до власності компанії. У деяких країнах вартість доставки або поштові витрати повинні бути сплавлені відправником. Загально встановлені права покупця на пристрій залишаються незмінними
- Ця гарантія є діючою у країнах, членах ЄС, Швейцарії, Ісландії, Норвегії, Лихтенштейні, Туреччині, Росії та Великій Британії. За межами цих зон, будь ласка, зверніться до офіційного дилера RYOBI, щоб визначити, чи застосовується інша гарантія.

АВТОРИЗОВАНІ СЕРВІСНІ ЦЕНТРИ

З будь-яких питань або проблем, пов'язаних з пристроєм, ви можете звернутися до місцевих авторизованих сервісних центрів (відвідайте www.ryobitools.eu) або напрямку до: Techtronic Industries GmbH, Max Eyth Straße 10, 71364 Winnenden, Germany. Будь ласка, вкажіть серійний номер та тип продукту, вказані на етикетці.

TR RYOBI® GARANTİ UYGULAMA KOŞULLARI

Alımdan kaynaklanan yasal haklara ek olarak, ürün aşağıda belirtilen garanti kapsamındadır.

1. Tüketiciler için 24 ay olan garanti süresi, ürünün satın alındığı tarihte başlar. Bu tarihin bir fatura ya da alım kanıtıyla belgelenmesi gerekir. Ürün sadece tüketim ve özel kullanım için geliştirilmiş ve adanmıştır. Bu nedenle, profesyonel ya da ticari kullanım halinde garanti kapsamı sağlanmaz.
2. Bahçe aletlerinin bir bölümü (AC/DC) için www.ryobitools.eu sayfasındaki kayıt işlemini kullanarak garantinin belirtilen sürenin ötesine uzatma imkanı mevcuttur. Aletlerin garanti süresinin uzatılmasına uygun olup olmadığı mağazalarda ve / veya ambalajda açıkça belirtilmiş olup, ürün dokümantasyonunda gösterilir. Son kullanıcının yeni aldığı aletleri satın alma tarihini izleyen 30 gün içinde kaydettirmesi gerekir. Son kullanıcı ikamet ettiği ülkede, bu seçeneğin geçerli olduğu çevrimiçi kayıt formunda belirtilmişse, uzatılmış garanti süresi için kayıt yaptırabilir. Dahası, son kullanıcıların çevrimiçi giriş için gerekli verilerin kaydedilmesine izin vermeli ve hüküm ve koşulları kabul etmelidir. E-posta ile gönderilen kayıt teyit makbuzu ve alım tarihini gösteren orijinal fatura uzatılmış garantinin kanıtı olarak değerlendirilir.
3. Garanti, ürünün alım tarihindeki işçilik ve malzeme kusurları nedeniyle garanti süresi içinde oluşacak bütün arızalarını kapsar. Bu garanti onarım ve değiştirmeyle sınırlı olup, tesadüfi ya da dolaylı hasarlar da dahil, ancak bunlarla kısıtlı olmayan başka hiçbir taahhüdü kapsamaz. Garanti, ürünün kötü, kullanıcı kılavuzuna aykırı kullanılmış ya da yanlış bağlanmış olması halinde geçerli değildir. Bu garanti aşağıdakileri kapsamaz:
 - üründe, yanlış bakımdan kaynaklanan herhangi bir hasar
 - değiştirilmiş ya da modifiye edilmiş herhangi bir ürün
 - orijinal tanıtmı işaretleri (ticari marka, seri numarası) silinmiş, değiştirilmiş ya da kaldırılmış herhangi bir ürün
 - kullanma kılavuzuna uymamaktan kaynaklanmış herhangi bir hasar
 - herhangi bir AT dışı ürün
 - kalifiye olmayan personel tarafından ya da önceden Techtronic Industries onayı alınmadan onarılmış herhangi bir ürün.
 - uygunsuz güç kaynağına (amper, voltaj, frekans) bağlanmış herhangi bir ürün
 - uygunsuz bir yakıt karışımıyla (yakıt, yağ, yap yüzdesi) kullanılmış herhangi bir ürün
 - harici etkenlerden (kimyasal, fiziksel, darbe) veya yabancı cisimlerden kaynaklanan her türlü hasar
 - normal aşınır ve yıpranır aksam
 - uygunsuz kullanım, aletin aşırı yüklenmesi
 - onaysız aksesuar veya parça kullanımı
 - Karbüratörlere uygulanacak her türlü periyodik ayar, bakım veya temizlik
 - Darbe Düğmeleri, Tahrik Kayışları, Kavrama, Çit Budama ya da Çim Bıçme Makinelerinin Bıçakları, Kayış Koşumları, Kablo Gaz, Kömür Fırçalar, Güç Kablo, Dişler, Keçe Rondelalar, Bağlantı Pimleri, Üfleyci Pervaneleri, Üfleyci ve Vakum Boruları, Vakum Torbası ve Kayışları, Kılavuz Çubuklar, Zincir Testere, Hortumlar, Konektör bağlantıları, Püskürtme Memeleri, Çarklar, Püskürtme Çubukları, Dahili Makaralar, Harici Makaralar, Kesme Telleri, Bujiler, Hava Filtreleri, Gaz Filtreleri, Malçlama Bıçakları vb. gibi parçaları kapsayan, ancak bunlarla sınırlı olmayan, aşınma ve yıpranmaya tabi bileşenler (aksam ve aksesuarlar).
4. Ürünün servis için her ülkede aşağıdaki servis istasyonları adres listesinde yer alan yetkili bir RYOBI servis istasyonuna gönderilmesi ya götürülmesi gereklidir. Bazı ülkelerde, yerel RYOBI distribütörünüz ürünü RYOBI servis teşkilatına göndermeyi üstlenir. Bir ürün bir RYOBI servis istasyonuna gönderilirken, ürünün güvenli bir biçimde ambalajlanması, benzin gibi tehlikeli maddeler içermemesi, gönderenin adresini taşıması ve arızanın kısa bir açıklamasını içermesi gerekir.
5. Bu garanti kapsamında yapılacak onarım / değişiklik ücretsizdir. Garanti süresinin uzatılması ya da yeniden başlatılması anlamına gelmez. Değiştirilmiş parçalar veya aletler bize ait olur. Bazı ülkelerde teslimat ücretleri veya posta giderlerinin gönderici tarafından ödenmesi gerekir. Alımdan kaynaklanan yasal haklarınız etkilenmez
6. Bu garanti Avrupa Birliği'nde, İsviçre, İzlanda, Norveç, Lihtenştayn, Türkiye, Rusya ve Birleşik Krallık'ta geçerlidir. Bu alanların dışında, başka bir garantinin geçerli olup olmadığını belirlemek için lütfen yetkili RYOBI distribütörünüzle irtibata geçin.

YETKİLİ SERVİS MERKEZİ

Ürüne ilgili her türlü talep ve sorun yerel yetkili servis merkezlerine (www.ryobitools.eu adresini ziyaret edin) veya doğrudan aşağıdaki şekilde iletilir: Techtronic Industries GmbH, Max Eyth Straße 10, 71364 Winnenden, Germany. Lütfen etikette yer alan seri numarasını ve ürün tipini belirtin.

EN EC DECLARATION OF CONFORMITY

Cordless blower

Brand: RYOBI | Model number¹ | Serial number range²

We declare as the manufacturer under our sole responsibility that the product mentioned below fulfills all the relevant provisions of the following European Directives, European Regulations and harmonised standards³

Measured sound power level..... 86,8 dB(A)
 Guaranteed sound power level..... 89 dB(A)
 Conformity assessment method to Annex V Directive 2000/14/EC amended by 2005/88/EC.

Authorised to compile the technical file:⁴

FR DÉCLARATION CE DE CONFORMITÉ

Souffleur sans fil

Marque: RYOBI | Numéro de modèle¹ | Étendue des numéros de série²

Nous déclarons sous notre entière responsabilité que le produit mentionné ci-dessous remplit toutes les dispositions pertinentes des directives et réglementations européennes suivantes, ainsi que des normes harmonisées ci-après³

Niveau de puissance sonore mesuré 86,8 dB(A)
 Niveau de puissance sonore garanti 89 dB(A)
 Méthode d'évaluation de conformité de l'annexe V Directive 2000/14/EC modifiée 2005/88/EC.

Autorisé à rédiger le dossier technique:⁴

DE EG-KONFORMITÄTSEKTLÄRUNG

Akku-Blasgerät

Marke: RYOBI | Modellnummer¹ | Seriennummernbereich²

Wir erklären in alleiniger Verantwortung, dass das nachstehend erwähnte Produkt alle einschlägigen Bestimmungen der folgenden EU-Richtlinien, EU-Vorschriften und harmonisierten Normen entspricht³

Gemessener Schalleistungspegel 86,8 dB(A)
 Garantiertes Schalleistungspegel 89 dB(A)
 Konformitätsbeurteilungsmethode zu Anhang V Richtlinie 2000/14/EC wie durch 2005/88/EC.

Autorisiert die technische Datei zu erstellen:⁴

ES DECLARACIÓN CE DE CONFORMIDAD

Soplador inalámbrico

Marca: RYOBI | Número de modelo¹ | Intervalo del número de serie²

Declaramos, bajo nuestra exclusiva responsabilidad, que el producto mencionado a continuación cumple con todas las disposiciones relevantes de las siguientes directivas, normas armonizadas y reglamentos europeos³

Nivel de potencia acústica medido 86,8 dB(A)
 Nivel de potencia acústica garantizado 89 dB(A)
 Método de evaluación de conformidad con el anexo V Directiva 2000/14/EC modificada por la 2005/88/EC.

Autorizado para elaborar la ficha técnica:⁴

IT DICHIARAZIONE CE DI CONFORMITÀ

Soffiatore senza fili

Marca: RYOBI | Numero modello¹ | Gamma numero seriale²

Dichiariamo sotto la nostra unica responsabilità che il prodotto descritto in basso soddisfa tutte le disposizioni delle direttive europee e che sono state osservate le norme seguenti³

Livello di potenza acustica misurato 86,8 dB(A)
 Livello di potenza sonora garantita 89 dB(A)
 Metodo di valutazione sulla conformità all'allegato V Direttiva 2000/14/EC modificata con la 2005/88/EC.

Autorizzato per compilare il file tecnico:⁴

NL EG-VERKLARING VAN OVEREENSTEMMING

Accubladblazer

Merk: RYOBI | Modelnummer¹ | Seriennummerbereik²

Wij verklaren naar onze eigen verantwoordelijkheid, dat het hieronder genoemde product voldoet aan alle relevante bepalingen van de volgende Europese richtlijnen, Europese verordeningen en geharmoniseerde normen³

Gemeten geluidsniveau 86,8 dB(A)
 Gegarandeerd geluidsniveau 89 dB(A)
 Evaluatiemethode conformiteit volgens bijlage V Richtlijn 2000/14/EC gewijzigd door 2005/88/EC.

Algevaarigde voor het samenstellen van de technische fiche:⁴

PT DECLARAÇÃO CE DE CONFORMIDADE

Soprador eléctrico recarregável

Marca: RYOBI | Número do modelo¹ | Intervalo do número de série²

Declaramos sob nossa exclusiva responsabilidade que o produto mencionado abaixo cumpre todas as disposições aplicáveis das seguintes diretivas, regulamentos e normas harmonizadas da União Europeia³

Nível de potência sonora medido 86,8 dB(A)
 Nível de potência sonora garantido 89 dB(A)
 Método de avaliação de conformidade para o anexo V Directiva 2000/14/EC alterada por 2005/88/EC.

Autorizado para compilar o ficheiro técnico:⁴

DA EF-OVERENSSTEMMELSEERKLÆRING

Ledningsfri blæser

Brand: RYOBI | Modelnummer¹ | Seriennummerområde²

Vi erklærer under eget ansvar, at produktet nævnt nedenfor opfylder alle de relevante forskrifter i de følgende europæiske direktiver, europæiske forordninger og harmoniserede standarder³

Målt støjniveau 86,8 dB(A)
 Garanteret støjniveau 89 dB(A)
 Overensstemmelsesvurderingsmetode til bilag V Direktiv 2000/14/EC ændret ved 2005/88/EC.

Bemyndiget til at udarbejde det tekniske kartotek:⁴

SV EG-FÖRSÄKRAN ÖVERENSSTÄMMELSE

Sladdlös blåsmaskin

Marke: RYOBI | Modellnummer¹ | Seriennummerintervall²

Vi förklarar under eget ansvar att den produkt som nämns nedan uppfyller alla relevanta föreskrifter i följande europeiska direktiv, europeiska förordningar och harmoniserade standarder³

Uppmått ljudeffektnivå 86,8 dB(A)
 Garanterad ljudeffektnivå 89 dB(A)
 Konformitetsbedömning gjord enligt metod i V Direktiv 2000/14/EC samt tillägg 2005/88/EC.

Godkänd att sammanställa den tekniska filen:⁴

FI EY-VAATIMUSTENMUKAISUUSVAKUUTUS

Johdoton lehtipuhallin

Tuotemerkki: RYOBI | Mallinnumero¹ | Sarjanumeroalue²

Vakuutamme alla mainitun tuotteen olevan seuraavien eurooppalaisten direktiivien, asetusten ja yhdenmukaistettujen standardien sääntöjen mukainen³

Mittattu ääniteho 86,8 dB(A)
 Taattu ääniteho 89 dB(A)
 Sääntösten noudattaminen tarkastettu direktiivin 2000/14/EC liitteen V mukaisesti muutettu direktiivillä 2005/88/EC.

Valtuutettu kokoamaan tekninen tiedosto:⁴

NO CE-SAMSVARERKLÆRING

Batteridrevet blæser

Merke: RYOBI | Modellnummer¹ | Seriennummerserie²

Vi erklærer på eget ansvar at produktet beskrevet nedenfor oppfyller alle de relevante bestemmelsene i de europeiske direktiver, europeiske forskrifter og harmoniserte standarder³

Målt lydteffektivnivå 86,8 dB(A)
 Garantert lydteffektivnivå 89 dB(A)
 Metode for vurdering av konformitet til Tillegg V Direktiv 2000/14/EC endret ved 2005/88/EC.

Autorisert til å sette sammen den tekniske filen:⁴

RU ДЕКЛАРАЦИЯ О СООТВЕТСТВИИ СТАНДАРТАМ ЕС

Беспроводная воздуходувка

Марка: RYOBI | Номер модели¹ | Диапазон заводских номеров²

Со всей ответственностью заявляем, что нижеупомянутое изделие отвечает всем соответствующим положениям следующих европейских директив, европейских регламентов, а также гармонизированных стандартов³

Измеренный уровень звуковой мощности 86,8 dB(A)
 Гарантируемый уровень звуковой мощности 89 dB(A)
 Способ оценки соответствия, приложение V к директиве 2000/14/EC с изменениями 2005/88/EC.

Лицо, ответственное за подготовку технической документации:⁴

PL DEKLARACJA ZGODNOŚCI WE

Dmuchawa bezprzewodowa

Marka: RYOBI | Numer modelu¹ | Zakres numerów seryjnych²

Oświadczamy na własną odpowiedzialność, że produkt opisany w sekcji „Specyfikacja” spełnia wszystkie istotne postanowienia wymienionych poniżej dyrektyw UE, przepisów europejskich oraz norm zharmonizowanych³

Zmierzony poziom mocy akustycznej 86,8 dB(A)
 Gwarantowany poziom mocy akustycznej 89 dB(A)
 Metoda ocena zgodności zgodnie z aneksem V Dyrektywa 2000/14/EC zmieniona przez dyrektywę 2005/88/EC.

Osoba upoważniona do sporządzenia dokumentu technicznego:⁴

CS CE PROHLÁŠENÍ O SHODĚ

Akumulátorový foukač

Značka: RYOBI | Číslo modelu¹ | Rozsah sériových čísel²

Výhradně na vlastní odpovědnost prohlašujeme, že níže uvedené výrobek splňuje všechna příslušná ustanovení evropských směrnic, evropských nařízení a harmonizovaných norem³

Změřená hladina akustického výkonu 86,8 dB(A)
 Zaručená hladina akustického výkonu 89 dB(A)
 Soulad s metodou určování pro přílohu V směrnice 2000/14/EC upravená 2005/88/EC.

Pověření ke kompilaci technického souboru:⁴



HU EK-MEGFELELŐSÉGI NYILATKOZATA

Akkumulátoros lombfűvő

Márka: RYOBI | Tipusszám¹ | Sorozatszám tartomány:²

Kizárólagos felelősségünk keretében nyilatkozunk, hogy az alább említett termék megfelel a következő európai irányelvek, szabványozások és harmonizált szabványok vonatkozó rendelkezéseinek³

Mért hangteljesítményszint..... 86,8 dB(A)

Garantált hangteljesítményszint..... 89 dB(A)

A megfelelőségi értékelési eljárás a 2000/14/EC irányelv V függeléke szerint történt által módosított 2005/88/EC irányelv.

A műszaki dokumentáció összeállítására felhatalmazott:⁴

RO DECLARAȚIE DE CONFORMITATE CE

Suflantă fără fir

Marcă: RYOBI | Număr serie¹ | Gamă număr serie²

Declarăm pe proprie răspundebilitate că produsul menționat mai jos îndeplinește toate prevederile relevante ale directivelor Uniunii Europene, ale Regulamentelor UE și standardelor armonizate³

Nivelul măsurat al puterii acustice..... 86,8 dB(A)

Nivelul garantat al puterii acustice..... 89 dB(A)

Metoda de evaluare a conformității cu Anexa V Directiva 2000/14/EC modificată prin 2005/88/EC.

Autorizat să completeze fișa tehnică:⁴

LV EK ATBILSTĪBAS DEKLARĀCIJA

Bezvadu pūtējs

Zīmols: RYOBI | Modeļa numurs¹ | Sērijas numura intervāls²

Ar pilnu atbildību mēs deklarējam, ka tālāk norādītās produkta izpilda visas attiecīgās norādīto Eiropas direktīvu, Eiropas regulu un harmonizēto standartu prasības³

Izmērītās skaņas jaudas līmenis..... 86,8 dB(A)

Garantētās skaņas intensitātes līmenis..... 89 dB(A)

Atbilstības novērtēšanas metode pielikumam V Direktīvai 2000/14/EC labota 2005/88/EC.

Pilnvarots sastādīt tehnisko failu:⁴

LT EB ATTIKTIES DEKLARACIJA

Belaidis pūstuvus

Prekės ženklas: RYOBI | Modelio numeris¹ | Serijinio numerio diapazonas²

Mes atsakingai pareiškiame, kad toliau minimas gaminyš atitinka nurodytus Europos direktyvas, Europos reglamentas ir darniausius standartus³

Ismatuotas akustinis lygis..... 86,8 dB(A)

Garantuotas akustinis lygis..... 89 dB(A)

Atitikties įvertinimo metodas pagal direktyvos 2000/14/EC, V Priedą su pataisomis 2005/88/EC.

Igaliotas sudaryti techninį failą:⁴

ET EÜ VASTAVUSDEKLARATSIOON

Akutoitega puhur

Mark: RYOBI | Mudeli number¹ | Seerianumbri vahemik²

Kinnitame oma ainuvastutusele, et allpool nimetatud toode vastab järgmistele Euroopa direktiivide, Euroopa määruste ja ühtlustatud standardite kõigile asjakohastele sätetele³

Möödetud helivõimsuse tase..... 86,8 dB(A)

Garanteeritud helivõimsuse tase..... 89 dB(A)

Vastavushindamine vastavalt lisale V direktiivis 2000/14/EC muudetud direktiiviga 2005/88/EC.

Tehnilise faili koostamiseks volitatud isik:⁴

HR IZJAVA O SKLADNOSTI

Akumulatorska puhalica

Marka: RYOBI | Broj modela¹ | Raspon serijskog broja²

Pod punom odgovornošću izjavljujemo da proizvod naveden u nastavku zadovoljava sve relevantne odredbe sljedećih europskih direktiva, europskih uredbi i usklađenih normi³

Izmijerena razina zvučne snage..... 86,8 dB(A)

Jamčena razina zvučne snage..... 89 dB(A)

Metoda procjene usklađenosti prema Dodatku V Direktive 2000/14/EC navedeno u 2005/88/EC.

Ovlašten da sastavi tehničku datoteku:⁴

SL ES-IZJAVA O SKLADNOSTI

Akumulatorska puhalica

Znamka: RYOBI | Številka modela¹ | Razpon serijskih števil²

Pod izključno lastno odgovornostjo izjavljamo, da spodaj navedeni izdelek izpolnjuje vse ustrezne predpise naslednjih evropskih direktiv, evropskih uredb in harmoniziranih standardov³

Izmerjena raven zvočne moči..... 86,8 dB(A)

Zajamčena raven zvočne moči..... 89 dB(A)

Način ugotavljanja skladnosti z aneksom V direktive 2000/14/EC ki je bila spremenjena z 2005/88/EC.

Pooblaščen oseba za sestavo tehnične dokumentacije:⁴

SK ES VYHLÁSENIE O ZHODE

Akkumulátorový fúkač

značka: RYOBI | Číslo modelu¹ | Rozsah sériových čísiel²

Na vlastnú zodpovednosť vyhlasujeme, že dolu uvedený výrobok vyhovuje príslušným ustanoveniam nasledujúcich európskych smerníc, európskych nariadení a harmonizovaných noriem³

Nameraná úroveň hluku..... 86,8 dB(A)

Garantovaná úroveň hluku..... 89 dB(A)

Spôsob určenia zhody podľa Dodatku V Smernica 2000/14/EC doplnená o 2005/88/EC.

Oprávnená osoba na zostavenie technického súboru:⁴

BG CE - ДЕКЛАРАЦИЯ ЗА СЪОТВЕТСТВИЕ

Безжичен уред за обдуване

Марка: RYOBI | Номер на модела¹ | Обхват на серийни номера²

Декларираме на своя лична отговорност, че продуктът, посочен по-долу, отговаря на всички съответни разпоредби на директивите и регламентите на Европейския съюз и хармонизираните стандарти по-долу³

Измерено ниво на шум..... 86,8 dB(A)

Гарантирано ниво на шум..... 89 dB(A)

Метод за оценяване на съответствието с приложение V на Директива 2000/14/EC, изменена от 2005/88/EC.

Упълномощено лице за съставяне на техническия файл:⁴

UK СЕРТИФИКАТ ВІДПОВІДНОСТІ ВИМОГАМ ЄС

Бездротова повітряна куля

Марка: RYOBI | Номер моделі¹ | Діапазон серійного номеру²

Ми відповідально заявляємо, що описаний нижче пристрій відповідає всім чинним положенням директив ЄС, Європейських норм та гармонізованих стандартів³

Вимірний рівень звукової потужності..... 86,8 dB(A)

Гарантований рівень звукової потужності..... 89 dB(A)

Метод оцінки відповідності Annex V Directive 2000/14/EC з поправками, внесеними 2005/88 / EC.

Дозвіл на складання технічного файла:⁴

TR CE UYGUNLUK BEYANI

Kabloluşuz Yaprak Üfleme Makinesi

Marka: RYOBI | Model numarası¹ | Seri numarası aralığı²

Tüm sorumluluğu bize ait olmak üzere, aşağıda belirtilen ürünün aşağıdaki Avrupa Direktifleri, Avrupa Mevzuatı ve uyumlaştırılmış standartların ilgili hükümlerini yerine getirdiğini beyan ederiz³

Ölçülen ses gücü seviyesi..... 86,8 dB(A)

Güvenceli ses gücü seviyesi..... 89 dB(A)

2005/88/AT ile değiştirilen 2000/14/AT Direktifi Ek V uyarınca uygunluk değerlendirilmesinde yöntemi.

Teknik dosyayı derlemekle yetkili sorumlu:⁴

¹ RY18BLA

² 47570701000001 - 47570701999999

³ 2006/42/EC, 2014/30/EU, 2000/14/EC, 2005/88/EC, 2011/65/EU, EN 60335-1:2012+A11:2014 +A13:2017+A1:2019+A14:2019+A2:2019, EN 50836-2:100:2014, EN 55014-1:2017+A11, EN 55014-2:2015, EN IEC 63000:2018, EN ISO 12100:2010

Todd Chipner
Vice President, Quality – Asia
Winnenden, June 18, 2021

Alexander Krug, Managing Director
Techtron Industries GmbH
Max-Eyth-Straße 10, 71364 Winnenden, Germany



GB-DECLARATION OF CONFORMITY

Manufacturer: Techtronic Industries GmbH
Max-Eyth-Straße 10, 71364 Winnenden, Germany

We declare as the manufacturer under our sole responsibility that the product mentioned below

Cordless blower
Brand: RYOBI
Model number: RY18BLA
Serial number range: 47570701000001 - 47570701999999

fulfills all the relevant provisions of the following Regulations: S.I. 2008/1597 (as amended), S.I. 2016/1091 (as amended), S.I. 2012/3032 (as amended), S.I. 2001/1701 (as amended) and that the following designated standards have been used:

BS EN 60335-1:2012+A2:2019, BS EN 50636-2-100:2014,
BS EN 55014-1:2017+A11, BS EN 55014-2:2015, BS EN IEC 63000:2018,
BS EN ISO 12100:2010

Measured sound power level: 86.8 dB(A)

Guaranteed sound power level: 89 dB(A)

Conformity assessment method to S.I. 2001/1701 Schedule 8 (as amended)



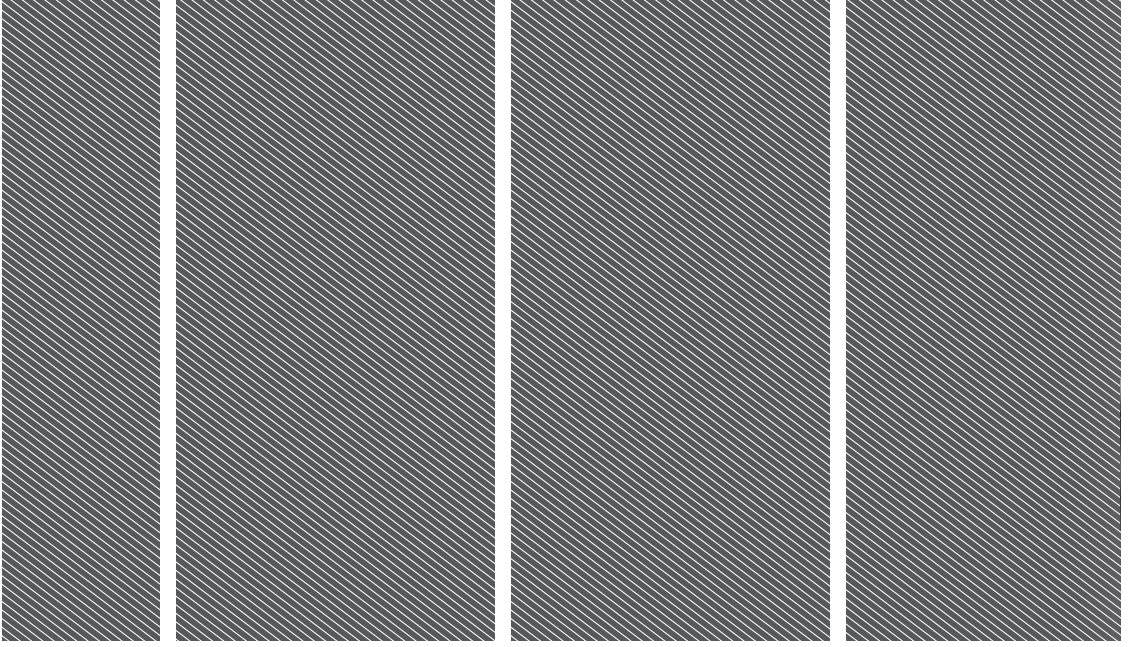
Todd Chipner
Vice President, Quality – Ryobi Asia
Winnenden, June 18, 2021

Authorised to compile the technical file:
Alexander Krug, Managing Director
Techtronic Industries GmbH
Max-Eyth-Straße 10, 71364 Winnenden, Germany



EN RYOBI is a trade mark of Ryobi Limited, and is used under license.
FR RYOBI est une marque déposée de Ryobi Limited, et est utilisée sous license.
DE RYOBI ist ein Markenzeichen von Ryobi Limited und wird in Lizenz verwendet.
ES RYOBI es una marca registrada de Ryobi Limited, y se utiliza bajo licencia.
IT L'utilizzo del marchio registrato RYOBI è legato alla licenza concessa da Ryobi Limited.
NL RYOBI is een handelsmerk van Ryobi Limited en wordt onder licentie gebruikt.
PT RYOBI é uma marca comercial de Ryobi Limited, e é utilizada sob licença.
DA RYOBI er et varemærke tilhørende Ryobi Limited og bruges under licens.
SV RYOBI är en del av varumärke Ryobi Limited och dess användning är licensierad.
FI RYOBI on Ryobi Limitedin omistama tavaramerkki, ja sitä käytetään lisenssin puitteissa.
NO RYOBI er et varemerke for Ryobi Limited, og brukes under lisens.
RU RYOBI является товарным знаком компании Ryobi Limited, используемым по лицензии.
PL RYOBI to znak towarowy firmy Ryobi Limited i jest używany zgodnie z udzieloną licencją.
CS RYOBI je ochranná známka společnosti Ryobi Limited a její používání podléhá licenci.
HU A RYOBI a Ryobi Limited védjegye, használatát licenc keretében történi.
RO RYOBI este o marcă comercială a firmei Ryobi Limited și este utilizată sub licență.
LV RYOBI ir Ryobi Limited preču zīme un tiek izmantota saskaņā ar licenci.
LT „RYOBI“ yra „Ryobi Limited“ prekės ženklas, naudojamas pagal licenciją.
ET RYOBI on ettevõtte Ryobi Limited kaubamärk, mida kasutatakse litsentsi alusel.
HR RYOBI je zīg tvrtke Ryobi Limited i koristi se po licenci.
SL RYOBI je blagovna znamka družbe Ryobi Limited in se uporablja na podlagi dovoljenja.
SK RYOBI je ochranná známka spoločnosti Ryobi Limited a používa sa na základe licencie.
BG RYOBI е търговска марка на Ryobi Limited и се използва под лиценз.
UK RYOBI є товарним знаком Ryobi Limited, і використовується за ліцензією.
TR RYOBI, Ryobi Limited şirketine ait olup, lisans altında kullanılan bir ticari markadır.





Techtronic Industries GmbH
Max-Eyth-Straße 10,
71364 Winnenden, Germany

Techtronic Industries (UK) Ltd
Fieldhouse Lane
Marlow Bucks SL7 1HZ
UK

961087341-01

