

- EN
- FR
- DE
- ES
- IT
- NL
- PT
- DA
- SV
- FI
- NO
- RU
- PL
- CS
- HU
- RO
- LV
- LT
- ET
- HR
- SL
- SK
- BG
- UK
- TR

**RY18LMX40B**





- Important!** It is essential that you read the instructions in this manual before assembling, maintaining and operating the product.
- Attention!** Il est essentiel que vous lisiez les instructions contenues dans ce manuel avant d'assembler, d'entretenir et d'utiliser le produit.
- Achtung!** Es ist wichtig, dass Sie vor Zusammenbau, Wartung und Benutzung des Produktes die Anweisungen in dieser Anleitung lesen.
- ¡Atención!** Resulta fundamental que lea este manual de instrucciones antes de realizar el montaje, el mantenimiento y de utilizar este producto
- Attenzione!** È importante leggere le istruzioni contenute nel presente manuale prima di montare il prodotto, svolgere le operazioni di manutenzione sullo stesso e metterlo in funzione.
- Let op!** Het is van essentieel belang dat u de instructies in deze gebruiksaanwijzing leest voor u het product monteert, onderhoudt en gebruikt.
- Atenção!** É fundamental que leia as instruções deste manual antes da montagem, manutenção e operação do aparelho.
- OBS!** Det er vigtigt, at man læser instrukserne i denne brugsanvisning, inden man samler, vedligeholder og betjener produktet.
- Observera!** Det är viktigt att du läser instruktionerna i manualen före montering, användning och underhåll av produkten.
- Huomio!** On tärkeää, että luet tämän käsikirjan ohjeet ennen tuotteen kokoamista, huoltoa ja käyttöä.
- Advarsel!** Det er viktig at du leser instruksjonene i denne manualen før sammensetning, vedlikehold og bruk av produktet
- Внимание!** Необходимо прочитать инструкции в данном руководстве перед сборкой, обслуживанием и эксплуатацией этого изделия.
- Uwaga!** Koniecznie należy przeczytać instrukcje zawarte w tym podręczniku przed montażem, obsługą oraz konserwacją produktu.
- Důležité upozornění!** Neinstalujte, neprovádějte údržbu ani nepoužívejte tento výrobek dříve, než si přečtete pokyny uvedené v tomto návodu.
- Figyelem!** Fontos, hogy a termék összeszerelése, karbantartása és használatá elött elolvassa a kézikönyvben található utasításokat.
- Atenție!** Este esențial să citiți instrucțiunile din acest manual înainte de asamblare, efectuarea întreținerii și operarea produsului.
- Uzmanību!** Ir svarīgi izlasīt šīs rokasgrāmatas instrukcijas pirms uzstādīšanas, apkopes un precas darbināšanas.
- Démesio!** Prieš surenkant, prižiūrint ir naudojant gaminį, būtina perskaityti šiam vadove pateiktus nurodymus.
- Tähtis!** Enne masina kokkupanekut, hooldamist ja kasutama hakkamist tuleb käesolevas juhendis esitatud juhised kindlasti läbi lugeda.
- Upozorenje!** Vrlo je važno da ste prije sklapanja, održavanja i rada s ovim proizvodom pročitali upute u ovom priručniku.
- Pomembno!** Pomembno je da pred montažo vzdrževanjem in uporabo tega izdelka preberete navodila v tem priročniku.
- Upozornenie!** Je dôležité, aby ste si pred montážou, údržbou a obsluhou produktu prečítali pokyny v tomto návode.
- Важно!** Исключительно важно е да прочетете инструкциите в настоящото ръководство, преди да преминете към сглобяване, поддръжка или работа с продукта.
- Важливо!** Дуже важливо, щоб ви прочитали інструкції в цьому керівництві перед складанням, обслуговуванням та експлуатацією цієї машини.
- Önemli!** Ürünü monte etmeden, kullanmadan ve bakımını yapmadan önce bu kılavuzdaki talimatları okumanız önemlidir.

Subject to technical modification | Sous réserve de modifications techniques | Technische Änderungen vorbehalten | Bajo reserva de modificaciones técnicas | Con riserva di eventuali modifiche tecniche | Technische wijzigingen voorbehouden | Com reserva de modificações técnicas | Med forbehold for tekniske ændringer | Med förbehåll för tekniska ändringar | Tekniset muutokset varataan | Med forbehold om tekniske ændringer | могут быть внесены технические изменения | Z zastrzeżeniem modyfikacji technicznych | Změny technických údajů vyhrazeny | A műszaki módosítás jogát fenntartjuk | Sub rezerva modificățiilor tehnice | Paturam tiesības mainīt tehniskos raksturlielumus | Pasliiekant teisę daryti techninius pakeitimus | Tehnised muudatused võimalikud | Podloženo tehničkim promjenama | Tehnične spremembe dopuščene | Právo na technické zmeny je vyhradené | Подлежи на технически модификации | Є об'єктом для технічних змін | Teknik değişikliğe tabidir.



Safety, performance, and dependability have been given top priority in the design of your cordless lawnmower.

### INTENDED USE

The cordless lawnmower is intended for outdoor use only.

The product is designed for domestic lawn mowing. It is a pedestrian-controlled walk-behind lawnmower designed to be pushed by hand.

The product should never be operated with the wheels off the ground. It should not be pulled or ridden on.

Do not use the product for any other purpose.

### GENERAL SAFETY WARNINGS

- Keep the instructions safe for later use.
- The product should be operated only with the battery packs specified in this manual. When using a battery-operated product, basic safety precautions should always be followed to reduce the risk of fire, leaking batteries, and personal injury.

### PERSONAL SAFETY

- Never allow children or people with reduced physical, sensory, or mental capabilities, or persons who are not familiar with these instructions to operate, clean, or maintain the product. Local regulations may restrict the age of the operator. Children should be adequately supervised to ensure that they do not play with the product.
- Be familiar with the controls and the correct use of the product.
- Wear heavy, long trousers, long sleeves, and sturdy anti-slip footwear. Do not wear short trousers, sandals, or go barefoot. Avoid wearing clothing that is loose-fitting or that has hanging cords or ties.
- Use the product across the face of slopes; never up and down. Exercise extreme caution when changing direction on slopes. Keep firm footing and balance. Walk; never run.
- Do not use the product near drop-offs, ditches, excessively steep slopes, or embankments.
- Always wear safety glasses.
- The product is capable of amputating hands and feet, and of throwing objects. Failure to observe all safety instructions could result in serious injury or death.

- Stay alert, watch what you are doing, and use common sense when operating the product. Do not operate the product while tired, ill, or under the influence of drugs, alcohol, or medication. A lapse in concentration while operating the product may result in serious personal injury.

### WORK AREA SAFETY

- Never use the product while people, especially children, or pets are within 15 m because of the danger of objects being thrown by contact with the blade.
- Always use the product in daylight or good artificial light.
- Do not operate the product on wet grass or in the rain.
- Keep in mind that the operator or user is responsible for accidents or hazards occurring to other people or their property.
- Objects struck by the lawnmower blade can cause severe injuries to persons. Thoroughly inspect the area where the product is to be used, and remove all rocks, sticks, metal, wire, bones, toys, or other foreign objects. Remember, string or wire may entangle with the cutting means.
- Do not operate the product in explosive atmospheres, such as in the presence of flammable liquids, gases, or dust. The product creates sparks, which may ignite dust or fumes.
- Do not use the product when there is a risk of lightning.
- Tragic accidents can occur if the operator is not alert to the presence of children. Children are often attracted to the product and the mowing activity. Never assume that children will remain where you last saw them.
- Use extra care when approaching blind corners, shrubs, trees, or other objects, including overhanging shrubs, which may block your view.

### BATTERY TOOL USE AND CARE

- Read, understand, and always follow the safety instructions which came with your battery and charger. Failure to do so may result in electric shock, fire or other hazardous situations. Keep all the instructions together in a safe place for future reference.

- Battery-operated products do not have to be plugged into an electrical outlet; therefore, they are always in operating condition. Remove the isolator key whenever you are not operating the product.
- Remove the battery pack before making any adjustments, cleaning, or removing material from the product.
- Ensure the isolator key is removed before inserting battery pack.
- A battery pack must be recharged only with the charger specified by the manufacturer. Using a charger with an incompatible battery pack may create a risk of fire. Use battery pack only with charger listed.
- Use only battery pack intended specifically for the product. Use of any other battery packs may result in a risk of fire, electric shock, or injury to persons.
- When battery pack is not in use, keep it away from other metal objects like, paper clips, coins, keys, nails, screws, or other small metal objects, that can make a connection from one terminal to another. Shorting the battery pack terminals together may cause sparks, burns, fire or explosion.
- Do not place battery products or their batteries near fire or heat. This increases the risk of explosion and possibly injury.
- Do not open or mutilate the battery pack. Released electrolyte is corrosive and may cause damage to the eyes or skin. It may be toxic if swallowed.
- Protect the battery pack against moisture and water. Do not charge the product in a damp or wet location. Following this rule will reduce the risk of electric shock.
- In case of damage and improper use of the battery, vapour may be emitted. Provide for fresh air and seek medical help in case of complaints. The vapour can irritate the respiratory system.
- Do not leave the battery pack inside a vehicle in hot or cold conditions.
- Do not incinerate the battery.
- Under abusive conditions, liquid may be ejected from the battery; avoid contact. If contact accidentally occurs, flush with water. If liquid contacts eyes, additionally seek medical help. Liquid ejected from the battery may cause irritation or burns.

## LAWNMOWER SAFETY WARNINGS

- Before use, always visually inspect the product to ensure that blades, blade bolts, and cutter assembly are not worn or damaged. Replace worn or damaged blades and bolts in sets to preserve balance.
- Bring the product to an authorised service centre to replace damaged or unreadable labels.
- Do not pull the product backwards unless absolutely necessary. If you must back the product away from a wall or obstruction, first look down and behind to avoid tripping or pulling the product over your feet.
- Turn off the product and allow the blade to stop if the product has to be tilted for transportation when crossing surfaces other than grass, and when transporting the product to and from the work area.
- Never use the product with defective guards or shields, or without safety devices, such as deflectors and grass catchers, in place.
- Do not tilt the product when turning on the motor or while the motor is running. If absolutely necessary, you may raise the front of the lawnmower by no more than 5 cm to enable easier starting. Press down on the handlebar to achieve this. Always return the lawnmower to its normal position with all wheels on the ground before cutting. Tilting the lawnmower exposes the blade and increases the probability of objects being thrown and accidentally making contact with the blade.
- Do not start the product when standing in front of the grass discharge opening.
- The product must be started with the user behind the handlebars in the operator safety zone. Never start the product if:
  - The grass discharge chute is exposed and is not protected by the grass catcher and grass discharge chute cover.
  - Hands and feet of all persons are not clear of the cutting enclosure.
- Turn on the product carefully according to instructions, and keep hands and feet away from the blades. Do not put hands or feet near or under rotating parts. Keep clear of the discharge opening at all times.
- Never pick up or carry the product while it is running.

- Turn off the product, and remove the isolator key and the battery pack. Make sure that all moving parts have come to a complete stop:
  - whenever leaving the product unattended (including disposal of grass clippings)
  - before clearing blockages or unclogging the discharge chute
  - before checking, cleaning, or working on the product
  - before removing the grass catcher or opening the grass discharge chute cover
  - after striking a foreign object; inspect the product for damage and make repairs as necessary before restarting and operating the product
  - if the product starts to vibrate abnormally (check immediately)
    - inspect for damage, particularly the blades
    - replace or repair any damaged parts
    - check for and tighten any loose parts
- The cutting blade should rotate approximately parallel to the ground over which it is being wheeled.
- The blade on the product is sharp. Use extreme caution, and wear heavy-duty gloves when fitting, replacing, cleaning, or checking bolt security.
- Never operate the product if the on/off switch on the handlebar does not properly start and stop the product.
- Never attempt to lock the on/off switches in the on position; this is extremely dangerous.
- Do not force the product. It will do the job better and safer at the speed for which it was designed.
- Stop the blade when crossing gravel surfaces.
- Avoid holes, ruts, bumps, rocks, property stakes, or other hidden objects. Uneven terrain could cause a slip-and-fall accident.
- Always ensure that the motor control cable is never trapped, pinched, or otherwise damaged during assembly or when folding the handle.
- Injuries may be caused, or aggravated, by prolonged use of the product. When using the product for prolonged periods, ensure to take regular breaks.

## ADDITIONAL BATTERY SAFETY WARNINGS

- To reduce the risk of fire, personal injury, and product damage due to a short circuit, never immerse the tool, battery pack, or charger in fluid or allow fluid to flow inside them. Corrosive or conductive fluids, such as seawater, certain industrial chemicals, and bleach or bleach-containing products, etc., can cause a short circuit.
- Do not dispose of battery packs together with household waste material. They must be collected separately and returned to an environmentally compatible recycling facility. Check with your local authority or retailer for recycling advice and collection point.

## PRODUCT FEATURES

### OVERLOAD AND OVERHEAT PROTECTION

The product has an overload protection device. When overloading is detected, the product automatically turns off. If the overload protector is actuated, the on/off lever must be released. Press the start button, and squeeze the on/off lever to restart the product. If the product still does not start, reinstall the battery pack.

The battery pack has overheat protection. Excessive temperatures will cause the battery to stop powering the product. If the battery pack is too warm, allow it to cool down before resuming operation. If the product still does not work, recharge the battery.

**NOTE:** The battery pack LED indicator will not work if the battery protection feature has caused the battery pack to stop powering the product. Turn off the product or remove the battery pack from the product, and the battery pack LED indicator will resume normal function.

### TELESCOPIC HANDLE

The product is equipped with a telescopic handle that can be adjusted for storage and operation. The telescopic handle must be extended to position 1 or 2 when setting up the product for use. Make sure the handle is secured by the handle lock lever and quick release fastener. Make sure that the handle is locked during vertical storage.

## TWO BATTERY SLOTS

The product can function using one or two battery packs. Two battery packs discharge a higher current, provide higher power, and extend runtime.

### GENERAL MOWING TIPS

The run time of the battery depends on the condition, length, and density of the grass.

Adjust the cutting height of the lawnmower to suit the current condition of the lawn.

- For best performance, always cut off one-third or less of the total height of the grass.
- When cutting long grass, reduce walking speed to allow for more effective cutting and a proper discharge of the clippings.
- A higher cutting height extends the run time of the battery pack.

### TRANSPORTATION AND STORAGE

- Turn off the product, and remove the isolator key and the battery pack. Make sure that all moving parts have come to a complete stop. Allow the product to cool down before storing or transporting.
- Remove all foreign materials from the product. Store the product in a cool, dry, and well-ventilated place that is inaccessible to children. Keep the product away from corrosive agents such as garden chemicals and de-icing salts. Do not store the product outdoors.
- For transportation in vehicles, remove the isolator key, and secure the product against movement or falling to prevent injury to persons or damage to the product.
- Use extreme caution when lifting or tilting the product for maintenance, cleaning, storage, or transportation. The blade is sharp. Keep all body parts away from the blade while it is exposed.

### TRANSPORTING LITHIUM BATTERIES

Transport the battery in accordance with local and national provisions and regulations.

Follow all special requirements on packaging and labelling when transporting batteries by a third party. Ensure that no batteries can come in contact with other batteries or conductive materials while in transport by protecting exposed connectors with insulating, non-conductive caps or tape. Do not transport batteries that are cracked or leaking. Check with the forwarding company for further advice.

## MAINTENANCE

- Use only original manufacturer's replacement parts, accessories, and attachments. Failure to do so can cause possible injury, can contribute to poor performance, and may void your warranty.
- Servicing requires extreme care and knowledge and should be performed only by a qualified service technician. Have the product serviced by an authorised service centre only.
- Turn off the product, and remove the isolator key and the battery pack. Make sure that all moving parts have come to a complete stop before any cleaning or maintenance task.
- Replace worn or damaged parts for safety.
- Frequently check the grass catcher for wear or deterioration.
- Check all nuts, bolts, and screws at frequent intervals for proper tightness to ensure that the product is in safe working condition.
- Be careful during adjustment of the product to prevent entrapment of the fingers between moving blades and fixed parts of the product.
- When servicing the blades, be aware that even though the power source is turned off, the blades can still be moved.
- You may make adjustments and repairs described in this manual. For other repairs, have the product serviced by an authorised service centre only.
- After each use, clean the plastic parts with a soft, dry cloth. Any part that is damaged should be properly repaired or replaced by an authorised service centre.
- The blade on the product is sharp. Use extreme caution, and wear heavy-duty gloves when fitting, replacing, cleaning, or checking bolt security.
- The blade bolts must be adequately tightened. See the manufacturer's recommendations for blade bolt torque, which can be found in the product specification table in this manual.

### CLEARING BLOCKAGES

- Turn off the product, and remove the isolator key and the battery pack. Make sure that all moving parts have come to a complete stop.

- Always wear heavy-duty gloves when checking or clearing a blockage. The blades are sharp, and the blockage itself could be a sharp object.
- Remove the grass catcher. Check and carefully clear the grass catcher for obstructions.
- Check the grass discharge chute, and carefully clear blockages.
- Turn the product on its side. Check its underside and the area around the blade. Carefully remove any blockages. Remember that the blade may move during cleaning.

## KNOW YOUR PRODUCT

See page 163.

1. Interface board
2. Start button
3. On/off lever
4. Telescopic handle
5. Operator's manual
6. Handle lock lever
7. Isolator key
8. Grass catcher full indicator
9. Cutting height adjustment lever
10. Quick-release fastener
11. Grass catcher
12. Battery door
13. Rear wheel
14. Front wheel
15. Mulching plug
16. Battery pack
17. Charger

## SYMBOLS ON THE PRODUCT



Read and understand all instructions before operating the product. Follow all warnings and safety instructions.



Wear ear protection.



Wear eye protection.



Do not operate the product on inclines greater than 15°. Mow across the face of slopes, never up and down.



Do not expose the product to rain or damp condition.



Beware of sharp blades. Blades continue to rotate after the motor is switched off. Remove the isolator key before maintenance.



Beware of thrown or flying objects. Keep all bystanders, especially children and pets, at least 15m away from the operating area.



Go



Stop



Waste electrical products should not be disposed of with household waste. Please recycle where facilities exist. Check with your local authority or retailer for recycling advice.



European Conformity Mark



British Conformity Mark



EurAsian Conformity Mark



Ukraine Conformity Mark



Guaranteed sound power level



Position 1 on telescopic handle



Position 2 on telescopic handle

## SYMBOLS IN THIS MANUAL



Parts or accessories sold separately



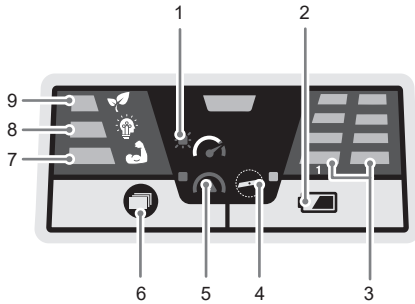
Note



Warning

## INTERFACE BOARD OVERVIEW

The interface board displays the status and condition of the product.



1. High load - indicates that the load is too high for the current setting and the product might stall. Switch to power mode, increase cutting height, or reduce walking speed.
2. Battery charge status button - powers up the battery level indicator when pressed.
3. Battery level indicator - indicates the amount of charge left in the battery packs.
  - If only one LED lights up, the battery pack capacity is lower than 25%.
  - If two LEDs light up, the battery pack capacity is between 25% and 50%.
  - If three LEDs light up, the battery pack capacity is between 50% and 75%.
  - If four LEDs light up, the battery pack is fully charged. The battery pack capacity is between 75% and 100%.
4. Blade check indicator - indicates that the blade must be checked. Replace the dull blade to keep the product in good working condition.
5. Overload indicator - indicates that the product is overloaded and that the blade may be jammed.
6. Mode button - changes the cutting mode of the product when pressed.
7. Power mode - indicates that the blade is at high speed for heavy grass cutting.
8. Smart mode - indicates that the mower is able to adjust the blade speed depending on the load on the product for general cutting.
9. Eco mode - indicates that the blade is at low speed for thin grass cutting.



Votre tondeuse à gazon sans fil a été conçue en donnant priorité à la sécurité, à la performance et à la fiabilité.

## UTILISATION PRÉVUE

La tondeuse à gazon sans fil est uniquement conçue pour une utilisation en extérieur.

Ce produit est destiné à la tonte du gazon par les particuliers. Il s'agit d'une tondeuse poussée, contrôlée par l'opérateur, conçue pour être poussée à la main.

Le produit ne doit jamais être utilisé si les roues ne sont pas en contact avec le sol. Il ne faut pas la tirer ni monter dessus.

Utilisez ce produit pour aucun autre travail.

## AVERTISSEMENTS GÉNÉRAUX DE SÉCURITÉ

- Veuillez conserver instructions pour vous y reporter ultérieurement.
- Utilisez le produit uniquement avec les blocs de batterie spécifiés dans ce manuel. Lors de l'utilisation d'un produit alimenté par batterie, des précautions de sécurité de base doivent toujours être respectées afin de réduire les risques d'incendie, de fuite de la batterie et de dommages corporels.

## SÉCURITÉ DES PERSONNES

- Ne laissez jamais les enfants ou les personnes aux capacités physiques, sensorielles ou mentales réduites, ni les personnes non familiarisées avec ces instructions utiliser, nettoyer ou entretenir le produit. Les lois locales peuvent imposer un âge minimum à l'opérateur. Les enfants doivent être bien surveillés afin de s'assurer qu'ils ne jouent pas avec le produit
- Familiarisez-vous avec les commandes du produit ainsi qu'avec son utilisation correcte.
- Porter des pantalons solides, longs, des manches longues et des chaussures antidérapantes robustes. Ne pas porter un pantalon court, des sandales et ne pas se promener pieds nus. Évitez de porter des vêtements amples ou qui possèdent des cordons ou attaches qui pendent.
- Utilisez le produit transversalement par rapport à la pente, jamais en la remontant ou en la descendant. Redoublez de vigilance lorsque vous changez de direction dans une pente. Gardez un bon appui et un bon équilibre. Marchez, ne courez jamais.

- N'utilisez pas le produit à proximité des à-pics, des fossés, des fortes pentes ou des talus.
- Portez en tout temps des lunettes de protection.
- Le produit est capable de trancher les mains et les pieds, et de projeter des objets. Le non-respect de l'ensemble des règles de sécurité est susceptible d'entraîner des blessures graves voire mortelles.
- Restez vigilant, regardez ce que vous faites et faites preuve de bon sens lorsque vous utilisez l'appareil. N'utilisez pas ce produit lorsque vous êtes fatigué, malade, ou sous l'influence de l'alcool, de drogues ou de médicaments. Un moment d'inattention lors de l'utilisation de la machine suffit à provoquer de graves blessures.

## SÉCURITÉ DANS LA ZONE DE TRAVAIL

- N'utilisez jamais le produit lorsque des gens, en particulier des enfants, ou des animaux se trouvent à moins de 15 m à cause du risque de projection d'objets par la lame en rotation.
- Utilisez le produit en plein jour ou sous un bon éclairage artificiel.
- N'utilisez pas la machine dans l'herbe mouillée ou sous la pluie.
- Gardez à l'esprit que l'opérateur est responsable des accidents qui arrivent aux autres personnes présentes dans sa propriété.
- Les objets heurtés par la lame de la tondeuse peuvent causer de graves blessures. Vérifiez avec soin la zone où vous allez utiliser la machine, et retirez-en tous les cailloux, bâtons, objets métalliques, câbles, os, jouets et autres objets étrangers. Rappelez-vous, de la ficelle ou du câble sont susceptibles de s'emmêler dans le dispositif de coupe.
- N'utilisez pas la machine en atmosphère explosive, comme en présence de liquides inflammables, de gaz ou de poussières. L'outil peut produire des étincelles capables d'enflammer poussières et vapeurs.
- N'utilisez pas le produit en cas de risque d'éclair.
- De tragiques accidents peuvent se produire si l'opérateur n'est pas conscient de la présence d'enfants. Les enfants sont souvent attirés par la machine et par le

déroulement de la tonte. Ne considérez jamais comme acquis qu'un enfant restera là où vous l'avez vu pour la dernière fois.

- Soyez particulièrement prudent lors de l'approche des angles morts, des buissons, des arbres et des autres objets, dont les arbustes en surplomb, qui peuvent bloquer la vue.

## UTILISATION ET EMPLOI SOIGNEUX DES OUTILS ÉLECTRIQUES SANS FIL

- Lisez, comprenez et suivez toujours les instructions de sécurité qui accompagnent votre batterie et son chargeur. Le non-respect de cette consigne pourrait entraîner une décharge électrique, un incendie ou autres situations dangereuses. Gardez toutes les instructions ensemble en lieu sûr pour vous-y reporter ultérieurement.
- Les appareils alimentés par batterie n'ont pas à être branchés sur le secteur; ils sont donc en permanence en état de fonctionner. Retirez la clé d'isolation lorsque vous ne vous servez pas du produit.
- Retirez le bloc de batteries avant toute opération de réglage, de nettoyage, ou de retrait de corps étrangers de l'appareil.
- Assurez-vous que la clé coupe d'isolation a été retirée avant d'insérer le bloc de batterie.
- Un bloc de batterie ne peut être rechargé qu'à l'aide du chargeur préconisé par le fabricant. L'utilisation d'un chargeur avec un bloc de batterie incompatible peut entraîner un risque d'incendie. N'utilisez le bloc de batterie qu'avec le chargeur indiqué.
- N'utilisez que le bloc de batterie spécifiquement prévu pour la machine. L'utilisation de tout autre bloc de batterie peut entraîner un incendie, une décharge électrique, ou des blessures.
- Lorsqu'un bloc de batterie n'est pas utilisé, le maintenir à l'écart de tout autre objet métallique, par exemple trombones, pièces de monnaie, clés, clous, vis ou autres objets de petite taille qui peuvent donner lieu à une connexion d'une borne à une autre. La mise en court-circuit des bornes du bloc de batterie pourrait causer des étincelles, des brûlures, un incendie, ou une explosion.
- Ne mettez pas les appareils alimentés par batterie ni leur batterie à proximité du feu ou d'une source de chaleur. Ceci augmente les risques d'explosion et de blessures.

- N'ouvrez pas et n'abîmez pas le bloc de batterie. Les fuites d'électrolyte sont corrosives et sont susceptibles de causer des dommages aux yeux ou à la peau. L'électrolyte peut être toxique en cas d'ingestion.
- Protégez le bloc de batterie de l'humidité et de l'eau. Ne rechargez pas cet appareil en milieu humide ou mouillé. Respecter cette règle permet de réduire le risque de décharge électrique.
- Si la batterie est endommagée ou utilisée de façon inappropriée, des vapeurs sont susceptibles d'être émises. Aérez les lieux et contactez un médecin en cas de gêne. Les vapeurs peuvent irriter le système respiratoire.
- Ne laissez pas le bloc de batterie dans un véhicule dans des conditions de température froides ou chaudes.
- N'incinerez pas la batterie.
- En cas d'utilisation abusive, du liquide peut sortir du bloc de batterie. Évitez tout contact avec ce liquide. En cas de contact accidentel, rincez soigneusement avec de l'eau. Si du liquide entre en contact avec les yeux, consultez immédiatement un médecin. Le liquide qui sort du bloc de batterie peut entraîner des irritations de la peau ou causer des brûlures.

## AVERTISSEMENTS DE SÉCURITÉ RELATIFS À LA TONDEUSE À GAZON

- Avant utilisation, inspectez toujours visuellement le produit afin de vous assurer que les lames, les boulons de lame et l'ensemble de coupe ne sont ni usés ni endommagés. Remplacez toujours les lames usées ou endommagées ainsi que les boulons dans leur ensemble pour conserver l'équilibrage.
- Apportez le produit à un centre de service agréé pour remplacer les étiquettes abîmées ou illisibles.
- Ne tirez pas le produit en arrière à moins que cela ne soit absolument nécessaire. Si vous devez reculer la machine pour l'éloigner d'un mur ou d'un obstacle, regardez d'abord par terre et derrière vous pour éviter de trébucher ou de faire passer la machine sur vos pieds.

- Éteignez le produit et attendez l'immobilisation de la lame si le produit doit être incliné à des fins de transport, pour franchir des surfaces autres que de l'herbe, ainsi que pour amener le produit à la zone de travail et le ramener.
- N'utilisez jamais le produit si les protections sont défectueuses, avec ou sans dispositifs de sécurité en place, tels que des déflecteurs et/ou bac de ramassage).
- Ne pas incliner le produit lors de la mise en marche ou du fonctionnement du moteur. Si cela est absolument nécessaire, vous pouvez soulever l'avant de la tondeuse jusqu'à 5 cm pour démarrer plus facilement. Appuyer sur la poignée pour cela. Remettez toujours la tondeuse dans sa position normale avec toutes les roues au sol avant la tonte. Faire basculer la tondeuse expose la lame et augmente la probabilité que des objets soient éjectés et qu'il y ait un contact accidentel avec la lame.
- Ne démarrez pas le produit en vous tenant devant la trappe d'éjection de l'herbe.
- Le produit doit être démarré avec l'utilisateur se tenant derrière le guidon dans la zone de sécurité de l'opérateur. Ne démarrez jamais le produit si:
  - La chute d'évacuation de l'herbe est exposée et n'est pas protégée par le bac à herbe et le cache de chute d'évacuation de l'herbe
  - Les mains et les pieds de toutes les personnes présentes ne sont pas à l'écart du carter de coupe
- Mettez prudemment le produit sous tension conformément aux instructions et maintenez vos mains et vos pieds éloignés des lames. Ne mettez pas vos pieds ou vos mains sous les pièces en rotation ou à leur proximité. Restez en permanence à l'écart de la trappe d'éjection.
- Ne transportez ni ne soulevez jamais le produit lorsque son moteur tourne.
- Arrêtez le produit, retirez la clé d'isolation et la batterie. Assurez-vous que tous les éléments en mouvement se sont bien arrêtés:
  - chaque fois que vous laissez le produit sans surveillance (y-compris lorsque vous videz le bac de ramassage d'herbe).
  - Avant de nettoyer un blocage ou de décolmater la chute de décharge
- avant de travailler sur le produit, de le vérifier ou de le nettoyer
- avant de retirer le bac de ramassage ou d'ouvrir le volet de fermeture du conduit d'évacuation de l'herbe
- après avoir heurté un objet étranger ; vérifiez l'absence de dommages sur l'appareil et effectuez les éventuelles réparations nécessaires avant de redémarrer la machine et de l'utiliser.
- Si le produit se met à vibrer de façon anormale, effectuez immédiatement ce qui suit:
  - vérifiez les dommages éventuels, en particulier lorsque cela concerne les lames ;
  - remplacez ou réparez toute pièce endommagée
  - vérifiez l'absence d'éléments desserrés et resserrez-les au besoin
- La lame de coupe doit tourner en position à peu près parallèle au sol sur lequel l'appareil se déplace.
- La lame dont est équipé le produit est très coupante. Soyez particulièrement prudent et portez des gants solides lorsque vous mettez en place, remplacez, nettoyez ou vérifiez le bon serrage de ses boulons.
- N'utilisez jamais le produit si l'interrupteur Marche/Arrêt du guidon n'est pas en état de bien démarrer et arrêter le produit.
- Ne tentez jamais de bloquer les interrupteurs Marche/Arrêt en position MARCHE ; ceci est extrêmement dangereux.
- Ne faites pas forcer le produit. Il effectuera un meilleur travail dans de meilleures conditions de sécurité s'il est utilisé à la vitesse pour laquelle il a été conçu.
- Arrêtez la lame lorsque vous traversez des surfaces recouvertes de graviers.
- Évitez trous, racines, monticules, pierres et autres objets cachés. Un terrain accidenté peut provoquer une glissade et une chute entraînant un accident.
- Assurez-vous toujours que le câble de commande du moteur n'est jamais coincé, pincé ou endommagé au cours du montage ou du repliage du guidon.
- L'utilisation prolongée d'un outil est susceptible de provoquer ou d'aggraver des blessures. Lorsque vous utilisez le produit pendant de longues périodes, assurez-vous de faire des pauses régulières.

EN

FR

DE

IT

ES

NL

PT

DA

SV

FI

NO

RU

PL

CS

HU

RO

LV

LT

ET

HR

SL

SK

BG

UK

TR

## MISES EN GARDE DE SÉCURITÉ SUPPLÉMENTAIRES CONCERNANT LA BATTERIE

- Pour réduire le risque d'incendie, de blessures corporelles et de dommages causés par un court-circuit, ne jamais immerger l'outil, le bloc-piles ou le chargeur dans un liquide ou laisser couler un fluide à l'intérieur de celui-ci. Les fluides corrosifs ou conducteurs, tels que l'eau de mer, certains produits chimiques industriels, les produits de blanchiment ou contenant des agents de blanchiment etc. peuvent provoquer un court-circuit
- Ne jetez pas les blocs-batteries avec les ordures ménagères. Ils doivent être collectés séparément et renvoyés dans une installation de recyclage respectueuse de l'environnement. S'adresser aux autorités locales ou au détaillant spécialisé en vue de connaître l'emplacement des centres de recyclage et des points de collecte.

## CARACTÉRISTIQUES DU PRODUIT

### SURCHARGE ET PROTECTION CONTRE LA SURCHAUFFE

Le produit possède un dispositif de protection contre la surcharge. Lorsqu'une surcharge est détectée, l'appareil s'éteint automatiquement. Si la protection de surcharge est activée, le levier marche/arrêt doit être relâché Appuyez sur le bouton démarreur, puis pressez le levier marche/arrêt pour redémarrer le produit. Si le produit ne s'allume toujours pas, réinstaller le bloc-batterie.

Le bloc de batterie est équipé d'une protection contre les surchauffes. Une température excessive entraîne l'arrêt de l'alimentation de l'outil par la batterie. Si la batterie est trop chaude, laissez-la refroidir avant de reprendre l'utilisation. Si l'outil ne fonctionne toujours pas, rechargez la batterie.

**REMARQUE:** Le voyant LED du bloc de batterie ne fonctionnera pas si le dispositif de protection intégré s'est déclenché et a entraîné l'arrêt de l'outil Mettez le produit hors tension ou retirez le bloc de batterie du produit ; le voyant à LED de la batterie reprend sa fonction normale.

### POIGNÉE TÉLESCOPIQUE

Le produit est équipée d'une poignée télescopique qui peut être ajustée pour le stockage et l'opération. La poignée

télescopique doit être déployée jusqu'à la position 1 ou 2 lors de la configuration du produit pour l'utilisation. Assurez-vous que la poignée est sécurisée avec le levier de verrouillage et l'attache à déverrouillage rapide. Assurez-vous que la poignée est verrouillée pendant un stockage vertical.

### DEUX EMPLACEMENTS DE BATTERIE

Le produit peut fonctionner avec une ou deux batteries. Deux batteries apportent un courant plus élevé, une puissance plus élevée et une durée de fonctionnement prolongée.

## CONSEILS GÉNÉRAUX DE TONTE

L'autonomie de la batterie dépend de l'état, de la hauteur, et de la densité de l'herbe.

Réglez la hauteur de coupe de la tondeuse à gazon en fonction de l'état de l'herbe à tondre.

- Pour de meilleures performances, coupez toujours un tiers de la hauteur totale de l'herbe ou moins.
- Lorsque vous tondez de l'herbe haute, réduisez votre vitesse de progression pour permettre une meilleure coupe et une éjection plus efficace de l'herbe.
- Une plus grande hauteur de coupe augmente l'autonomie de la batterie.

## TRANSPORT ET STOCKAGE

- Arrêtez le produit, retirez la clé d'isolation et la batterie. Assurez-vous que tous les éléments en mouvement se sont bien arrêtés. Laissez le produit refroidir suffisamment avant de le ranger ou de le transporter.
- Débarrassez l'appareil de tous les corps étrangers. Rangez-le dans un endroit sec, bien aéré et hors de portée des enfants. Tenez le produit à l'écart des agents corrosifs tels que les produits chimiques pour le jardin et les sels de dégivrage. Ne rangez pas ranger le produit à l'extérieur.
- Pour le transport dans un véhicule, retirez la clé d'isolation et fixez le produit pour empêcher tout mouvement ou chute du produit pour éviter les blessures, les dégradations du produit ou la perte de carburant.
- Faites preuve d'une prudence extrême au moment de lever ou incliner le produit à des fins d'entretien, de nettoyage, de stockage ou de transport. La lame est coupante.

Gardez toutes les parties du corps éloignées de la lame lorsque celle-ci est à découvert.

## TRANSPORT DES BATTERIES AU LITHIUM

Transportez les batteries en conformité avec les dispositions et règlements locaux et nationaux.

Respectez toutes les exigences légales particulières concernant l'emballage et l'étiquetage des batteries lorsque vous confiez leur transport à un tiers. Assurez-vous qu'aucune batterie ne puisse entrer en contact avec une autre batterie ou avec des matériaux conducteurs lors de son transport en isolant les bornes électriques avec du ruban adhésif ou des capuchons isolants non conducteurs. Ne transportez pas une batterie qui serait fendue ou qui fuirait. Demandez conseil au transporteur pour de plus amples informations.

## ENTRETIEN

- N'utilisez que des pièces détachées et des accessoires d'origine constructeur. Le non respect de cette précaution peut entraîner de mauvaises performances, des blessures, et annuler votre garantie.
- Les réparations demandent un soin et des connaissances extrêmes et ne doivent être effectuées que par un technicien de service qualifié. Confiez l'entretien du produit à un centre de service agréé.
- Arrêtez le produit, retirez la clé d'isolation et la batterie. Assurez-vous que toutes les pièces mobiles se sont arrêtées entièrement avant toute tâche de nettoyage ou de maintenance.
- Pour des raisons de sécurité, remplacez toute pièce usée ou endommagée.
- Vérifiez que régulièrement que le bac de ramassage n'est ni usé ni endommagé.
- Vérifiez régulièrement le bon serrage des écrous, vis et boulons pour vous assurer que le produit soit toujours en bon état de fonctionnement.
- Lors du réglage de la machine, prenez garde de ne pas vous coincer les doigts entre les lames et les parties fixes de la machine.
- Lors de l'entretien des lames, soyez conscient du fait que, même si la source d'alimentation est désactivée, les lames peuvent toujours être déplacées.

- Vous pouvez effectuer les réglages et réparations décrits dans ce manuel. Pour les autres réparations, adressez-vous uniquement à un centre d'entretien agréé.
- Après chaque utilisation, nettoyer les pièces en plastique avec un chiffon doux et sec. Toute pièce endommagée doit être correctement remplacée ou réparée par un centre de service agréé.
- La lame dont est équipé le produit est très coupante. Soyez particulièrement prudent et portez des gants solides lorsque vous mettez en place, remplacez, nettoyez ou vérifiez le bon serrage de ses boulons.
- Les boulons de la lame doivent être correctement serrés. Consultez les recommandations du fabricant quant au couple de serrage des boulons qui est indiqué dans le tableau de spécification du présent manuel.

## DÉGAGEMENT D'UN BLOCAGE

- Arrêtez le produit, retirez la clé d'isolation et la batterie. Assurez-vous que tous les éléments en mouvement se sont bien arrêtés.
- Portez toujours des gants de protection épais lorsque vous vérifiez et dégagez un blocage. Les lames sont tranchantes. Le blocage peut être provoqué par un objet tranchant.
- Retirez le bac à herbe. Vérifiez et enlevez soigneusement les obstructions du bac de ramassage.
- Vérifiez la goulotte d'éjection de l'herbe du point de vue des blocages et éliminez-les prudemment.
- Tournez le produit sur le côté. Vérifier la partie inférieure et la zone autour de la lame. Retirer soigneusement tout éventuel blocage. Notez que la lame peut bouger pendant le nettoyage.

## APPRENEZ À CONNAÎTRE VOTRE PRODUIT

Voir page 163.

1. Carte d'interface
2. Bouton de démarrage
3. Levier marche/arrêt
4. Poignée télescopique
5. Manuel utilisateur
6. Levier de verrouillage de la poignée
7. Clé d'isolation

8. Indicateur de bac de ramassageplein
9. Levier de réglage de la hauteur de coupe
10. Attache à déverrouillage rapide
11. Bac de ramassage d'herbe
12. Trappe de la batterie
13. Roue arrière
14. Roue avant
15. Accessoire de paillage
16. Bloc de batterie
17. Chargeur

## SYMBOLES APPLIQUÉS SUR LE PRODUIT



Lisez et comprenez toutes les instructions avant d'utiliser le produit. Respectez l'ensemble des avertissements et consignes de sécurité.



Portez une protection auditive.



Portez une protection oculaire.



N'utilisez pas le produit sur des pentes avec une inclinaison supérieure à 15°. Tondez transversalement par rapport à la pente, jamais en la remontant ou en la descendant.



Ne pas exposer à la pluie ou à des conditions humides.



Prenez garde aux lames coupantes. Les lames continuent à tourner une fois le moteur éteint. Retirer la clé d'isolation avant tout entretien.



Prenez garde à la projection d'objets au sol et dans les airs. Gardez tous les passants, en particulier les enfants et les animaux, éloignés d'au moins 15m de la zone de travail.



Marche



Stop

Les produits électriques hors d'usage ne doivent pas être jetés avec les ordures ménagères. Recyclez-les par l'intermédiaire des structures disponibles. Contactez les autorités locales ou votre distributeur pour vous renseigner sur les conditions de recyclage.



Marque de conformité européenne



Marque de conformité britannique



Marque de conformité d'Eurasie



Marque de conformité ukrainienne



Niveau de puissance sonore garanti



Position 1 sur la poignée télescopique



Position 2 sur la poignée télescopique

## SYMBOLES DE CE MANUEL



Pièces détachées et accessoires vendus séparément



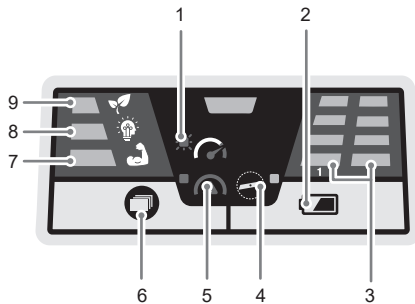
Remarque



Avertissement

## APERÇU DE LA CARTE D'INTERFACE

La carte d'interface affiche l'état et la condition du produit.



1. Charge élevée - indique que la charge est trop élevée pour le réglage actuel et que le produit peut caler. Passez en mode de puissance, augmentez la hauteur de coupe ou réduisez la vitesse de marche.
2. Bouton d'état de charge du bloc-batterie - allume l'indicateur de niveau de la batterie lorsqu'on appuie dessus.
3. Indicateur du niveau de batterie - indique la quantité de charge restante dans la batterie.
  - Si une seule LED s'allume, la capacité de la batterie est inférieure à 25 %.
  - Si deux LED s'allument, la capacité de la batterie est entre 25 % et 50 %.
  - Si trois LED s'allument, la capacité de la batterie est entre 50 % et 75 %.
  - Si quatre LED s'allument, la batterie est entièrement chargée. Le niveau de charge du pack batterie se trouve entre 75%-100%.
4. Indicateur de vérification de la lame - indique que la lame doit être vérifiée. Remplacez la lame émoussée pour garder le produit dans un bon état de marche.
5. Indicateur de surcharge - indique que le produit est surchargé et que la lame peut se bloquer.
6. Bouton Mode - change le mode de coupe du produit lorsqu'on appuie dessus.
7. Mode de puissance - indique que la lame fonctionne à haute vitesse pour une coupe d'herbe lourde.
8. Mode intelligent - indique que la tondeuse est capable d'adapter la vitesse de la lame en fonction de la charge sur le produit pour une coupe générale.
9. Mode éco - indique que la lame fonctionne à faible vitesse pour une coupe d'herbe lourde.

Sicherheit, Leistung und Zuverlässigkeit hatten oberste Priorität bei der Entwicklung Ihres Akku-Rasenmähers.

## BESTIMMUNGSGEMÄSSE VERWENDUNG

Der Akku-Rasenmäher ist nur zur Nutzung im Freien beabsichtigt.

Dieses Produkt ist zum Rasenmähen im häuslichen Bereich vorgesehen. Es ist ein Rasenmäher zum Schieben per Hand.

Das Produkt sollte niemals mit den Rädern abgehoben vom Boden betrieben werden. Der Rasenmäher sollte nicht gezogen werden und es darf nicht auf ihm gesessen werden.

Das Produkt darf zu keinen anderen Zwecken verwendet werden.

## ALLGEMEINE SICHERHEITSWARNUNGEN

- Bitte bewahren Sie die Anweisungen zum späteren Nachschlagen auf.
- Das Produkt darf nur mit den Akkus verwendet werden, die in dieser Bedienungsanleitung spezifiziert sind. Beim Verwenden von akkubetriebenen Geräten sollten grundlegende Sicherheitsmaßnahmen immer befolgt werden, um das Risiko von Bränden, auslaufenden Akkus und Personenschäden zu verringern.

## SICHERHEIT VON PERSONEN

- Lassen Sie niemals Kinder oder Personen mit verminderten physischen, geistigen oder sensorischen Fähigkeiten oder Personen, die mit diesen Anweisungen nicht vertraut sind das Produkt bedienen, reinigen oder warten. Die lokale Gesetzgebung regelt das Mindestalter des Benutzers. Kinder müssen ausreichend beaufsichtigt werden, so dass gewährleistet ist, dass sie nicht mit dem Produkt spielen.
- Machen Sie sich mit den Bedienelementen und dem ordnungsgemäßen Gebrauch des Produktes vertraut.
- Tragen Sie eine schwere, lange Hose, lange Ärmel und robuste, rutschfeste Schuhe. Tragen Sie keine kurzen Hosen und Sandalen und gehen Sie nicht barfuß. Vermeiden Sie lockere Kleidung oder Kleidung mit Schnüren oder Bändern zu tragen.

- Benutzen Sie das Produkt quer entlang von Hängen, niemals nach oben und unten. Seien Sie extrem vorsichtig, wenn Sie auf Hängen die Fahrtrichtung wechseln. Sorgen Sie für einen sicheren Stand und halten Sie das Gleichgewicht. Gehen Sie stets im Schritttempo; laufen Sie niemals.
- Verwenden Sie das Produkt nicht am Rand von Abhängen, Gräben, übermäßigen Steigungen oder Böschungen.
- Tragen Sie immer eine Schutzbrille.
- Das Gerät kann Hände und Füße abtrennen und Gegenstände schleudern. Sollten Sie diese Hinweise nicht beachten, so kann dies schwere Personenschäden hervorrufen bis hin zum Tod.
- Bleiben Sie wachsam, achten Sie auf das was Sie tun und verwenden Sie bei der Benutzung des Gerätes Ihren gesunden Menschenverstand. Arbeiten Sie mit diesem Produkt nicht, wenn Sie müde oder krank sind, oder unter dem Einfluss von Alkohol, Drogen oder Medikamenten stehen. Ein unkonzentrierter Moment während der Bedienung der Maschine kann zu schweren Verletzungen führen.

## ARBEITSPLATZSICHERHEIT

- Benutzen Sie das Produkt niemals während Menschen, besonders Kinder, oder Tiere sich im Umkreis von 15 m befinden, weil die Gefahr besteht, dass Gegenstände von dem Messer geschleudert werden könnten.
- Benutzen Sie das Produkt nur bei Tageslicht oder gutem Kunstlicht.
- Betreiben Sie die Maschine nicht in nassem Gras oder im Regen.
- Vergessen Sie nie, dass der Benutzer verantwortlich ist für Unfälle und Gefahren, die an Eigentum Fremder oder an anderen Personen entstehen könnte.
- Objekte, die vom Rasenmäher-Schneidmesser geschleudert werden, können schwere Personenschäden verursachen. Untersuchen Sie den Bereich, in dem die Maschine verwendet werden soll, genau und entfernen Sie alle Steine, Stöcke, Metall, Draht, Knochen, Spielzeug oder andere fremde Objekte. Vergessen Sie nicht, Schnur oder Draht kann sich in dem Schneidwerkzeug verfangen.
- Betreiben Sie die Maschine nicht in einer explosiven Atmosphäre, wie in der Umgebung von brennbaren Flüssigkeiten,



Gasen oder Staub. Das Produkt kann Funken erzeugen, die Staub oder Dämpfe entzünden können.

- Benutzen Sie das Produkt nicht, wenn die Gefahr von Blitzschlag besteht.
- Es können schwere Unfälle entstehen, wenn der Benutzer die Anwesenheit von Kindern nicht beachtet. Kinder fühlen sich oft angezogen von der Maschine und der Aktivität. Nehmen Sie nicht an, dass Kinder sich dort aufhalten werden, wo Sie sie zuletzt gesehen haben.
- Seien Sie besonders vorsichtig, wenn Sie sich nicht einsehbaren Ecken, Gebüsch, Bäumen oder anderen Objekten nähern, einschließlich überhängendem Gesträuch, das Ihre Sicht versperren kann.

## VERWENDUNG UND BEHANDLUNG DES AKKUWERKZEUGES

- Lesen, verstehen und befolgen Sie immer die mit Ihrem Akku und Ladegerät gelieferten Sicherheitsanweisungen. Nichtbefolgen kann zu Stromschlag, Feuer oder anderen gefährlichen Situationen führen. Halten Sie alle Anweisungen zum späteren Nachlesen an einem sicheren Ort beisammen.
- Akkubetriebene Produkte müssen nicht an eine Steckdose angeschlossen werden; sie sind daher jederzeit betriebsbereit. Entfernen Sie den Sicherheitsschlüssel immer, wenn Sie Ihr Produkt nicht benutzen.
- Entfernen Sie den Akku, bevor Sie Einstellungen vornehmen, Reinigen oder material vom Produkt entfernen.
- Stellen Sie sicher, dass der Sicherheitsschlüssel entfernt ist, wenn Sie den Akku einlegen.
- Ein Akku darf nur mit dem vom Hersteller vorgeschriebenen Ladegerät aufgeladen werden. Die Benutzung eines Ladegerätes mit einem inkompatiblen Akku kann ein Feuerrisiko verursachen. Verwenden Sie den Akku ausschließlich mit dem angegebenen Ladegerät.
- Verwenden Sie nur den speziell für dieses Gerät vorgesehenen Akku. Die Verwendung anderer Akkus kann zu Feuergefahr, Stromschlägen oder Verletzungen führen.
- Halten Sie den nicht benutzten Akku fern von Büroklammern, Münzen, Schlüsseln, Nägeln, Schrauben oder anderen kleinen Metallgegenständen, die eine

Überbrückung der Kontakte verursachen könnten. Ein Kurzschließen der Akkupole kann Funken, Verbrennungen, Feuer oder eine Explosion verursachen.

- Halten Sie batteriebetriebene Produkte bzw. deren Akkus von Feuer und Hitze fern. Das erhöht das Explosions- und Verletzungsrisiko.
- Öffnen oder beschädigen Sie den Akku nicht. Freigesetztes Elektrolyt ist ätzend und kann zu einer Schädigung von Augen oder Haut führen. Es kann bei Verschlucken toxisch wirken.
- Schützen Sie den Akku vor Feuchtigkeit und Wasser. Das Gerät nicht in feuchter oder nasser Umgebung laden. Die Einhaltung dieser Regel verringert das Risiko eines elektrischen Schlags.
- Im Fall einer Beschädigung oder nicht ordnungsgemäßen Verwendung des Akkus, können Dämpfe austreten. Sorgen Sie für frische Luft und suchen Sie bei Beschwerden einen Arzt auf. Die Dämpfe können zu einer Reizung des Atemsystems führen.
- Lassen Sie den Akkupack nicht bei heißen oder kalten Bedingungen in einem Fahrzeug.
- Verbrennen Sie den Akku nicht.
- Bei falscher Anwendung kann Flüssigkeit aus dem Akku austreten; vermeiden Sie den Kontakt damit. Bei zufälligem Kontakt mit Wasser abspülen. Suchen Sie außerdem medizinische Hilfe auf, falls die Flüssigkeit in die Augen gerät. Austretende Akkufflüssigkeit kann zu Hautreizungen oder Verbrennungen führen.

## RASENMÄHER SICHERHEITSWARNUNGEN

- Überprüfen Sie das Gerät vor dem Gebrauch immer visuell, um sicherzustellen, dass die Messer, die Messerbolzen und die Schneidbaugruppe nicht abgenutzt oder beschädigt sind. Ersetzen Sie abgenutzte oder beschädigte Messer und Bolzen in Sätzen, um die Unwucht zu vermeiden.
- Bringen Sie das Produkt zu einem autorisierten Kundendienst zurück, um beschädigte oder unleserliche Aufkleber zu ersetzen.

- Ziehen Sie den Mäher nur rückwärts, wenn dies absolut notwendig ist. Wenn Sie die Maschine von einer Wand oder einem Hindernis fortziehen müssen, sehen Sie zuerst nach unten um zu vermeiden, dass Sie stolpern oder mit der Maschine über Ihre Füße fahren.
- Halten Sie den Motor an und warten Sie, bis die Messer stillstehen, wenn das Gerät zum Transport über andere Böden als Gras gekippt werden muss und wenn Sie das Gerät zum und vom Arbeitsbereich transportieren.
- Benutzen Sie das Gerät niemals, wenn Schutzvorrichtungen oder Schilde beschädigt sind, oder ohne Sicherheitssysteme, z. B. Prallbleche und/oder Grasauffangbehälter.
- Kippen Sie das Produkt nicht, wenn Sie den Motor einschalten oder während der Motor läuft. Wenn es absolut erforderlich ist, können Sie die Vorderseite des Rasenmähers um maximal 5 cm anheben, um das Starten zu erleichtern. Drücken Sie den Lenker nach unten, um dies zu erreichen. Setzen Sie den Rasenmäher vor dem Schneiden immer mit allen vier Rollen auf den Boden. Wenn Sie den Rasenmäher kippen, liegt das Messer frei, dies steigert das Risiko von geschleuderten Objekten und versehentlichem Kontakt mit den Messern.
- Starten Sie das Gerät nicht, wenn Sie vor dem Grasauswurfkanal stehen.
- Das Produkt darf nur gestartet werden, während der Benutzer sich hinter dem Griff in dem sicheren Bereich für den Benutzer befindet. Starten Sie das Produkt niemals, wenn:
  - Der Gras-Auswurfkanal frei liegt ohne von dem Grasfangkorb und Deckel der Auswurföffnung geschützt zu sein.
  - Hände und Füße aller Personen nicht fern von dem Schneidgehäuse sind.
- Schalten Sie das Gerät vorsichtig gemäß der Anleitung ein und halten Sie die Hände und Füße vom Schnittbereich fern. Bewegen Sie Ihre Hände oder Füße nicht in die Nähe von rotierenden Teilen oder unter diese. Halten Sie den Bereich der Auswurföffnung stets frei.
- Tragen oder transportieren Sie das Produkt niemals während es läuft.
- Halten Sie das Gerät an und entfernen Sie den Sicherheitsschlüssel und den Akku. Stellen Sie sicher, dass alle bewegliche Teile vollständig angehalten sind:
  - Immer wenn Sie das Produkt unbeaufsichtigt lassen (einschließlich wenn Sie den Grasschnitt entsorgen).
  - bevor Sie eine Blockierung lösen oder den Auswurfkanal leeren
  - Bevor Sie das Produkt prüfen, reinigen oder daran arbeiten
  - bevor Sie den Grasauffangbehälter entfernen oder die Abdeckung des Grasauswurfkanals öffnen
  - nachdem Sie einen Fremdkörper getroffen haben; überprüfen Sie das Gerät auf Schäden und führen alle notwendigen Reparaturen durch, bevor Sie die Maschine wieder starten.
  - Wenn die Maschine anfängt ungewöhnlich zu vibrieren (sofort überprüfen).
    - Überprüfen Sie auf Schäden, besonders das Messer.
    - ersetzen oder reparieren von beschädigten Teilen
    - überprüfen Sie ob Teile locker sind und ziehen sie fest, wenn erforderlich
- Das Messer dreht sich ungefähr parallel zum Boden, über den es sich bewegt.
- Das Messer des Produktes ist scharf. Seien Sie vorsichtig und tragen Sie feste Handschuhe, wenn Sie Montieren, Austauschen, Reinigen oder den Sitz von Schrauben überprüfen.
- Betreiben Sie das Produkt niemals, wenn der An-/Ausschalter am Handgriff das Produkt nicht ordnungsgemäß an- oder ausschaltet.
- Versuchen Sie niemals die An-/Aus-Schalter in der AN Position zu verriegeln; das ist extrem gefährlich.
- Betätigen Sie das Produkt nicht mit Gewalt. Es wird die Arbeit mit der Geschwindigkeit, für die es ausgelegt wurde, besser und sicherer erledigen.
- Stoppen Sie das Messer, wenn Sie Kiesflächen überqueren.
- Vermeiden Sie Löcher, Furchen, Unebenheiten, Steine oder sonstige versteckte Objekte. Unebenes Terrain birgt eine Rutschgefahr.

- Stellen Sie immer sicher, dass das Motorkontrollkabel bei der Montage oder dem Einklappen des Griffs niemals eingeklemmt oder anderweitig beschädigt wird.
- Verletzungen können durch lange Benutzung eines Produkts entstehen oder verschlimmert werden. Wenn Sie das Gerät über einen längeren Zeitraum nutzen, stellen Sie regelmäßige Pausen sicher.

## WEITERE SICHERHEITSHINWEISE ZUM AKKU

- Um die durch einen Kurzschluss verursachte Gefahr eines Brandes, von Verletzungen oder Produktbeschädigungen zu vermeiden, tauchen Sie das Werkzeug, den Wechselakku oder das Ladegerät nicht in Flüssigkeiten ein und sorgen Sie dafür, dass keine Flüssigkeiten in die Geräte und Akkus eindringen. Korrodierende oder leitfähige Flüssigkeiten, wie Salzwasser, bestimmte Chemikalien und Bleichmittel oder Produkte, die Bleichmittel enthalten, können einen Kurzschluss verursachen.
- Entsorgen Sie Akkus nicht zusammen mit dem Hausmüll. Sie müssen separat gesammelt und an eine umweltgerechte Recyclingeinrichtung zurückgegeben werden. Erkundigen Sie sich bei den örtlichen Behörden oder bei Ihrem Fachhändler nach Recyclinghöfen und Sammelstellen.

## PRODUKTEIGENSCHAFTEN

### ÜBERLAST- UND ÜBERHITZUNGSSCHUTZ

Das Gerät hat einen Überlastungsschutz. Bei Erkennung einer Überlastung schaltet sich das Gerät automatisch ab. Wenn der Überlastungsschutz ausgelöst wird, müssen Sie den Ein/Aus-Hebel loslassen. Drücken Sie die Starttaste und ziehen Sie dann den Ein/Aus-Hebel, um das Gerät erneut zu starten. Wenn das Gerät weiterhin nicht anspringt, setzen Sie den Akku noch einmal ein.

Der Akkupack verfügt über einen Überhitzungsschutz. Sehr hohe Temperaturen bewirken, dass der Akku das Werkzeug nicht länger mit Strom versorgt. Wenn der Akku zu warm ist, lassen Sie ihn abkühlen, bevor Sie das Gerät wieder einschalten. Falls das Werkzeug dann immer noch nicht funktioniert, laden Sie den Akku auf.

**HINWEIS:** Die LED der Ladezustandsanzeige des Akkus funktioniert nicht, wenn die Akkuschutzfunktion ausgelöst wurde und der Akku das Werkzeug nicht mehr mit Strom versorgt. Schalten Sie das Gerät aus oder entfernen Sie den Akku aus dem Gerät, dann nimmt die LED-Anzeige für den Akku die normale Funktion wieder auf.

### TELESKOPGRIFF

Das Gerät ist mit einem Teleskopgriff ausgestattet, der zum Betrieb und zur Lagerung verstellt werden kann. Wenn das Gerät zur Nutzung eingerichtet wird, muss der Teleskopgriff auf Position 1 oder 2 ausgezogen sein. Stellen Sie sicher, dass der Griff mit der Verriegelung und dem Schnellverschluss gesichert ist. Stellen Sie bei vertikaler Aufbewahrung sicher, dass der Griff verriegelt ist.

### ZWEI AKKUSTECKPLÄTZE

Das Produkt kann mit einem oder zwei Akkupacks betrieben werden. Zwei Akkupacks sorgen für eine höhere Stromstärke, bieten mehr Leistung und verlängern die Betriebszeit.

### ALLGEMEINE TIPPS ZUM MÄHEN

Die Laufzeit des Akkus hängt von dem Zustand, der Länge und Dichte des Grasses ab.

Stellen Sie die Schnitthöhe des Rasenmähers passend für das aktuell zu mähende Gras ein.

- Schneiden Sie für das beste Ergebnis immer ein Drittel oder weniger der Grashöhe ab.
- Sollten Sie hohes Grass mähen, reduzieren Sie Ihre Geschwindigkeit um das beste Arbeitsergebnis zu erhalten.
- Eine größere Schnitthöhe verlängert die Laufzeit des Akkus.

### TRANSPORT UND LAGERUNG

- Halten Sie das Gerät an und entfernen Sie den Sicherheitsschlüssel und den Akku. Stellen Sie sicher, dass alle bewegliche Teile vollständig angehalten sind. Lassen Sie das Produkt ausreichend abkühlen, bevor Sie es lagern oder transportieren.
- Entfernen Sie alle Fremdkörper vom Produkt. Lagern Sie das Produkt an einem kühlen, trockenen und gut belüfteten Ort, der Kindern keinen Zugang bietet. Halten Sie das Produkt von ätzenden Mitteln wie Gartenchemikalien und Streusalz fern. Lagern Sie das Gerät nicht im Freien.

- Entfernen Sie zum Transport in einem Fahrzeug den Sicherheitsschlüssel und sichern Sie das Gerät, damit es sich nicht bewegen oder fallen kann, um das Verletzen von Personen und Schäden am Gerät zu verhindern.
- Seien Sie extrem vorsichtig, wenn Sie das Gerät bei Wartung, Reinigung, Lagerung und Transport heben oder kippen. Das Messer ist scharf. Halten Sie alle Körperteile von dem Messer fern, während das Messer frei liegt.

## TRANSPORT VON LITHIUM-IONEN- AKKUS

Transportieren Sie Akkus gemäß Ihren örtlichen und nationalen Bestimmungen und Regeln.

Befolgen Sie alle besonderen Anforderungen für Verpackung und Beschriftung, wenn Sie Akkus von Dritten transportieren lassen. Stellen Sie sicher, dass beim Transport kein Akku in Kontakt mit anderen Akkus oder leitenden Materialien kommt, indem Sie die freien Anschlüsse mit Isolierband, nichtleitenden Kappen oder Klebeband schützen. Beschädigte oder auslaufende Akkus dürfen nicht transportiert werden. Weitere Informationen erhalten Sie bei Ihrem Transportunternehmen.

## WARTUNG UND PFLEGE

- Verwenden Sie ausschließlich original Ersatzteile, Zubehör und Aufsätze des Herstellers. Nichtbefolgung kann mögliche Verletzungen oder schlechte Leistung verursachen und Ihre Garantie ungültig machen.
- Service und Wartung des Gerätes erfordert besonderen Sorgfalt und Kenntnisstand und sollte nur durch qualifiziertes Personal durchgeführt werden. Lassen Sie das Gerät nur von einem autorisierten Servicecenter warten.
- Halten Sie das Gerät an und entfernen Sie den Sicherheitsschlüssel und den Akku. Stellen Sie vor jeder Reinigung oder Wartung sicher, dass alle bewegliche Teile vollständig angehalten sind.
- Ersetzen Sie aus Sicherheitsgründen abgenutzte oder beschädigte Teile.
- Überprüfen Sie den Grasfangsack nach Schäden von Zeit zu Zeit.

- Überprüfen Sie Bolzen, Muttern und Schrauben in regelmäßigen Abständen, ob sie alle fest angezogen sind, um somit sicherzustellen, dass das Produkt in einem sicheren Zustand ist.
- Seien Sie während Einstellarbeiten an der Maschine vorsichtig, um zu verhindern, dass Ihre Finger zwischen die beweglichen Messer und befestigte Teile der Maschine gelangen.
- Beim Warten der Messer sollte Ihnen bewusst sein, dass sich die Messer bewegen können, auch wenn die Energieversorgung abgeschaltet ist.
- Sie dürfen die in dieser Bedienungsanleitung beschriebenen Einstellungen und Reparaturen durchführen. Wenden Sie sich zwecks anderer Reparaturen nur an ein autorisiertes Servicecenter.
- Reinigen Sie die Kunststoffteile nach jeder Nutzung mit einem trockenen weichen Tuch. Jedes beschädigte Teil muss durch den autorisierten Kundendienst ordnungsgemäß repariert oder ausgetauscht werden.
- Das Messer des Produktes ist scharf. Seien Sie vorsichtig und tragen Sie feste Handschuhe, wenn Sie Montieren, Austauschen, Reinigen oder den Sitz von Schrauben überprüfen.
- Die Messerschrauben müssen angemessen festgezogen sein. Achten Sie auf die Empfehlungen des Herstellers zum Drehmoment der Messerschraube, die Sie in der Tabelle mit Produkt-Spezifikationen in dieser Anleitung finden.

## ENTFERNUNG EINER BLOCKIERUNG

- Halten Sie das Gerät an und entfernen Sie den Sicherheitsschlüssel und den Akku. Stellen Sie sicher, dass alle bewegliche Teile vollständig angehalten sind.
- Tragen Sie immer schwere Schutzhandschuhe, wenn Sie eine Blockierung überprüfen und entfernen. Die Messer sind scharf und die Blockade könnte durch einen scharfen Gegenstand entstanden sein.
- Entfernen Sie den Grasfangbehälter. Prüfen Sie den Grasauffangbehälter und entfernen Sie Hindernisse vorsichtig.
- Prüfen Sie den Grasauswurfkanal auf Blockaden und beseitigen Sie sie vorsichtig.

- Legen Sie das Gerät auf die Seite. Prüfen Sie die Unterseite und den Bereich um das Messer. Wenn Sie Blockaden finden, entfernen Sie sie vorsichtig. Denken Sie daran, dass sich das Messer während des Reinigens bewegen kann.

## MACHEN SIE SICH MIT IHREM PRODUKT VERTRAUT

Siehe Seite 163.

1. Bedienanzeige
2. Startknopf
3. Ein/Aus-Hebel
4. Teleskopgriff
5. Bedienungsanleitung
6. Verriegelung Handgriff
7. Sicherheitsschlüssel
8. Füllstandsanzeige Grasbehälters
9. Hebel zur Einstellung der Schnitthöhe
10. Schnellverschluss
11. Grasfangkorb
12. Akkuklappe
13. Hinterrad
14. Vorderrad
15. Mulchadapter
16. Akkupack
17. Ladegerät

## SYMBOLS AUF DEM PRODUKT



Vor dem Bedienen des Produkts müssen Sie alle Anweisungen lesen und verstehen. Befolgen Sie alle Warn- und Sicherheitshinweise.



Tragen Sie einen Gehörschutz.



Tragen Sie einen Augenschutz



Betreiben Sie das Gerät nicht bei einer Neigung von mehr als 15°. Mähen Sie immer quer und niemals auf- oder abwärts mähen.



Nicht Regen oder feuchten Bedingungen aussetzen.



Achten Sie auf scharfe Messer. Die Messer rotieren nach dem Abschalten des Motors weiterhin. Ziehen Sie vor der Wartung den Sicherheitsschlüssel ab.



Achten Sie auf geschleuderte oder fliegende Objekte. Halten Sie unbeteiligte Personen (insbesondere Kinder und Tiere) mindestens 15m vom Arbeitsbereich fern.



Los



Stopp



Elektrische Geräte sollten nicht mit dem übrigen Müll entsorgt werden. Bitte entsorgen Sie diese an den entsprechenden Entsorgungsstellen. Wenden Sie sich an die örtliche Behörde oder Ihren Händler, um Auskunft über die Entsorgung zu erhalten.



Europäisches Konformitätskennzeichen



Britisches Konformitätskennzeichen



EurAsian Konformitätszeichen



Ukrainisches Konformitätskennzeichen



Garantierter Schalleistungspegel



Position 1 am Teleskopgriff



Position 2 am Teleskopgriff

## SYMBOLS IN DIESER BEDIENUNGSANLEITUNG



Teile oder Zubehör getrennt erhältlich



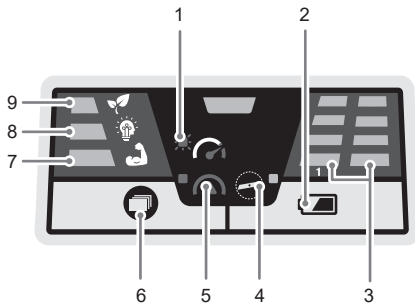
Hinweis



Warnung

## ÜBERSICHT BEDIENANZEIGE

Die Bedienanzeige zeigt den Status und den Zustand des Produkts an.



1. Hohe Leistung – zeigt an, dass die Leistung für die aktuelle Einstellung zu hoch ist und das Produkt zum Stillstand gebracht werden könnte. Schalten Sie in den Power-Modus, erhöhen Sie die Schnitthöhe oder verringern Sie die Gehgeschwindigkeit.
2. Taste Ladestatus - startet bei Drücken die Anzeige des Ladestatus.
3. Akkustandsanzeige – zeigt die Restladung des Akkupacks an.
  - Wenn nur ein LED aufleuchtet, ist die Akkuladung weniger als 25 %.
  - Wenn zwei LEDs aufleuchten, ist die Akkuladung zwischen 25 % und 50 %.
  - Wenn drei LEDs aufleuchten, ist die Akkuladung zwischen 50 % und 75 %.
  - Wenn vier LEDs aufleuchten, ist das Akkupack voll aufgeladen. Die Akkukapazität liegt zwischen 75%-100%.
4. Messerprüfanzeige – zeigt an, dass das Messer überprüft werden muss. Ersetzen Sie das stumpfe Messer, um das Gerät in einem guten Zustand zu halten.
5. Überlastanzeige – zeigt an, dass das Gerät überlastet ist und das Messer blockiert werden könnte.
6. Modustaste – ändert bei Drücken den Schneidmodus des Geräts.
7. Power-Modus – zeigt an, dass das Messer für dichtes, langes Gras mit hoher Drehzahl läuft.
8. Smart-Modus – zeigt an, dass der Mäher für allgemeines Schneiden die Geschwindigkeit abhängig von der Last anpassen kann.
9. Eco-Modus – zeigt an, dass das Messer für das Schneiden von dünnem Gras mit niedriger Drehzahl läuft.

Seguridad, desempeño y fiabilidad han sido las prioridades en el diseño de su cortacésped inalámbrico.

### USO PREVISTO

El cortacésped inalámbrico se debe utilizar exclusivamente en el exterior.

Este producto está diseñado para el corte doméstico de césped. Se trata de un cortacésped convencional con conductor a pie, diseñado para ser empujado manualmente.

El aparato nunca se debe operar sin que las ruedas estén apoyadas en el suelo. No debe tirar de él ni subirse en él.

No la use para ninguna otra finalidad.

### ALERTA DE SEGURIDAD GENERAL

- Guarde las instrucciones para usarlas en el futuro.
- Use el producto solo con las baterías especificadas en este manual. Cuando se utilice un producto alimentado mediante batería, se deberán seguir siempre las precauciones de seguridad básicas para reducir el riesgo de incendio, fugas en las baterías y lesiones personales.

### SEGURIDAD PERSONAL

- Nunca permita que los niños o las personas con discapacidad física, sensorial o mental, o que no estén familiarizadas con estas instrucciones, operen, limpien ni realicen el mantenimiento del aparato. Las regulaciones locales pueden restringir la edad del operario. Los niños deben estar adecuadamente supervisados para asegurarse de que no juegan con el producto.
- Familiarícese con los controles y el uso adecuado del producto.
- Use pantalones largos y gruesos, manga larga y calzado resistente y antideslizante. No use pantalones cortos ni sandalias, ni vaya descalzo. Evite usar ropa suelta o de la que cuelguen cordones o lazos.
- Utilice el aparato en la superficie de cuestras, nunca hacia arriba ni abajo. Tenga mucho cuidado cuando cambie de dirección en las cuestras. Mantenga su pisada firme y su equilibrio. Camine, nunca corra.
- No utilice el aparato cerca de zonas descendientes, zanjas, pendientes

excesivamente pronunciadas o terraplenes.

- Utilice siempre gafas de seguridad.
- El producto puede amputar manos y pies, además de arrojar objetos. El no cumplir con todas las instrucciones de seguridad podrá causar lesiones serias o la muerte.
- Manténgase alerta, observe lo que está haciendo y use el sentido común cuando utilice el aparato. No utilice este producto si está cansado o si se encuentra bajo la influencia de drogas, alcohol o medicamentos. Un lapso en la concentración mientras utiliza la unidad puede resultar en lesiones personales graves.

### ZONA DE TRABAJO

- Debido al peligro de proyección de objetos que puedan entrar en contacto con la cuchilla, evite utilizar el producto a menos de 15 m de distancia de otras personas, especialmente niños, o animales.
- Utilice el aparato sólo con luz diurna o con una buena luz artificial.
- No utilice la máquina en hierba mojada o bajo la lluvia.
- Tenga presente que el operario o usuario es responsable de los accidentes o riesgos que le puedan ocurrir a otras personas o a su propiedad.
- Los objetos golpeados por la cuchilla del cortacésped pueden causar lesiones severas a las personas. Inspeccione cuidadosamente el área donde va a utilizarse la herramienta y retire todas las rocas, palos, metales, alambres, huesos, juguetes u otros objetos extraños. Recuerde, el hilo o el cable pueden enredarse con las cuchillas.
- No utilice la máquina en entornos inflamables, como puede ser en presencia de líquidos inflamables, gases o polvo. La herramienta puede crear chispas que pueden encender polvo o gases.
- No utilice el aparato cuando haya riesgo de relámpago.
- Los accidentes trágicos pueden ocurrir si el operario no está alerta de la presencia de niños. A menudo, los niños sienten cierta atracción hacia la máquina y la actividad de corte. Nunca asuma que los niños permanecerán donde los vio por última vez.

- Ponga especial cuidado cuando se acerque a ángulos ciegos, arbustos, árboles u otros obstáculos, como arbustos colgantes, que puedan impedir su visibilidad.

## USO Y CUIDADO DE LA HERRAMIENTA

- Lea, comprenda y siga siempre las instrucciones de seguridad suministradas con la batería y el cargador. Si no lo hace, podría provocar una descarga eléctrica, un incendio u otras situaciones peligrosas. Guarde todas las instrucciones juntas en un lugar seguro para realizar futuras consultas.
- Las unidades operadas con batería no necesitan estar enchufados a una toma de corriente; por lo tanto, están siempre en condiciones de funcionamiento. Quite la llave conmutadora cuando no utilice el producto.
- Extraiga la batería antes de hacer cualquier ajuste, limpieza o de quitar material de la unidad.
- Asegúrese de que la llave de aislamiento no se encuentra en la herramienta antes de insertar la batería.
- La batería solamente debe recargarse con el cargador especificado por el fabricante. El uso de un cargador con una batería incompatible puede crear un riesgo de incendio. Utilice sólo la batería con el cargador en la lista.
- Utilice sólo la batería diseñada específicamente para la máquina. El uso de cualquier otra batería puede resultar en un riesgo de incendio, descargas eléctricas o lesiones personales.
- Cuando la batería no está en uso, manténgala alejada de otros objetos metálicos como clips, monedas, llaves, clavos, tornillos u otros objetos metálicos pequeños que puedan crear una conexión desde una terminal a otra. Cortocircuitar los terminales de la batería puede provocar chispas, quemaduras, incendios y explosiones.
- No coloque los productos de batería o las pilas cerca del fuego o fuentes de calor. Esto aumenta el riesgo de explosión y de lesiones.
- No abra ni desmonte la batería. El electrolito liberado es corrosivo y puede causar daño a los ojos o la piel. Puede ser tóxico si se ingiere.

- Proteja la batería contra la humedad y el agua. No cargue la unidad en lugares húmedos o mojados. Seguir esta regla reducirá el riesgo de descarga eléctrica.
- En caso de daños y uso inadecuado de la batería, podría emitirse vapor. Respire aire fresco y acuda a un médico en caso de dolencias. El vapor puede irritar el sistema respiratorio.
- No deje la batería dentro de un vehículo en condiciones de frío o calor.
- No queme la batería.
- En condiciones abusivas, podría salir expulsado líquido de la batería, por lo que debería evitar el contacto con éste. Si se produce un contacto accidental, enjuáguese las manos con agua. Si el líquido entra en contacto con los ojos, acuda inmediatamente al médico. Si el líquido es expulsado de la batería y entra en contacto con él, podría causar irritación o quemaduras.

## AVISOS DE SEGURIDAD DEL CORTACÉSPED

- Antes de su uso, inspeccione visualmente el producto para asegurarse de que las cuchillas, los pernos de las cuchillas y el conjunto del sistema de corte no estén desgastados ni dañados. Reemplace las hojas y tornillos desgastados o dañados en grupos para preservar el equilibrio.
- Lleve el aparato a un centro de servicios autorizado para sustituir las etiquetas dañadas o ilegibles.
- No tire del aparato hacia atrás a menos que sea absolutamente necesario. Si se ve obligado a alejar la herramienta de una pared u obstáculo, en primer lugar mire hacia abajo y hacia atrás para evitar tropezar o que la herramienta pase sobre sus pies.
- Apague el producto y deje que la cuchilla se detenga si el producto se debe inclinar para su transporte por superficies que no sean de césped, y cuando transporte el producto hacia o desde la zona de trabajo.
- No utilice nunca el producto con protecciones defectuosas, ni tampoco sin los dispositivos de seguridad, como los deflectores y los colectores de césped, en su posición.



- No incline el producto cuando vaya a poner el motor en marcha ni cuando ya esté en funcionamiento. Si es absolutamente necesario, puede levantar la parte delantera del cortacésped no más de 5 cm para permitir un inicio más rápido. Presione el manillar para hacerlo. Siempre vuelva a poner el cortacésped en su posición normal con todas las ruedas en el suelo antes de cortar. Inclinarse el cortacésped expone la cuchilla y aumenta la probabilidad de que salgan objetos despedidos al entrar accidentalmente en contacto con la cuchilla.
- No ponga en marcha el producto si se encuentra delante de la abertura de descarga de césped.
- El producto debe encenderse con el usuario situado detrás del manillar, en la zona de seguridad del operario. Nunca encienda el producto si:
  - el canal de descarga del césped está expuesto y no está protegido por la caja del césped ni la cubierta del canal de descarga del césped
  - si hay pies o manos en la zona de corte
- Encienda el producto cuidadosamente, conforme a las instrucciones, y no acerque las manos ni los pies a las cuchillas. No coloque las manos o los pies cerca o debajo de las piezas giratorias. Manténgase alejado de la apertura de descarga en todo momento.
- Nunca levante ni transporte el aparato con el motor en marcha.
- Detenga el producto, quite la llave del seccionador y la batería. Asegúrese de que todas las partes móviles se han detenido por completo:
  - Siempre que deje el producto sin vigilancia (incluso mientras tira los restos de hierba).
  - antes de limpiar una obstrucción o desatascar el canal de descarga
  - antes de inspeccionar, limpiar o trabajar con el producto
  - antes de quitar el colector de césped o abrir la cubierta del canal de descarga del césped
  - después de alcanzar un objeto extraño, inspeccione el aparato para comprobar si se han producido daños y realizar reparaciones, en caso necesario, antes de reiniciar y utilizar la máquina.
- si el producto empieza a vibrar de forma anormal (comprobar inmediatamente)
  - Cuando realice una inspección de daños, en particular en las cuchillas.
  - cambie o repare las piezas dañadas
  - revise y apriete las piezas sueltas
- La hoja debe girar aproximadamente paralela al suelo sobre el que está girando.
- Este aparato está provisto de una cuchilla afilada. Tenga cuidado y use guantes pesados al encajar, substituir, limpiar o comprobar el tornillo de seguridad.
- Nunca utilice el producto si el interruptor de encendido/apagado situado en el manillar no enciende y apaga el producto de forma correcta.
- Nunca intente bloquear los interruptores on/off (encender/apagar) en la posición ON; esto es extremadamente peligroso.
- No fuerce el producto. Realizará un trabajo mejor y más seguro a la velocidad para la que ha sido diseñada.
- Detenga la hoja cuando pase por superficies con grava.
- Evite los agujeros, surcos, resaltos, rocas u otros objetos ocultos. El terreno desigual puede causar resbalones y accidentes de caídas.
- Asegúrese siempre de que el cable de control del motor nunca es atrapado, pellizcado o dañado de otra forma durante el montaje o cuando doble el mango.
- El uso prolongado de una herramienta puede causar o agravar lesiones. Si utiliza el producto durante periodos de tiempo prolongados, asegúrese de realizar pausas de forma periódica.

#### ADVERTENCIAS DE SEGURIDAD DE LA BATERÍA ADICIONAL

- Para reducir el riesgo de incendio, lesión personales y daños al producto debido a un cortocircuito, no sumerja nunca la herramienta, el paquete de baterías o el cargador en líquido ni permita que fluya un fluido dentro de ellos. Los fluidos corrosivos o conductivos, como el agua de mar, ciertos productos químicos industriales y blanqueadores o lejías que contienen, etc., Pueden causar un cortocircuito.

- No deseche las baterías junto a los residuos domésticos. Se deben clasificar por separado y entregar a un centro de reciclado respetuoso con el medio ambiente. Consulte con las autoridades locales o su distribuidor local para recibir asesoramiento sobre el reciclado y el punto de recogida.

## CARACTERÍSTICAS DEL PRODUCTO

### PROTECCIÓN CONTRA SOBRECARGA Y SOBRECALENTAMIENTO

El producto tiene un dispositivo de protección frente a sobrecarga. Si se detecta sobrecarga, el producto se apagará automáticamente. Si se activa el protector contra sobrecargas, se deberá soltar la palanca de encendido/apagado. Pulse el botón de inicio y presione la palanca de encendido/apagado para volver a poner en marcha el producto. Si el producto sigue sin encenderse, vuelva a instalar la batería.

La batería tiene protección contra el sobrecalentamiento. Una temperatura excesiva hará que la batería deje de alimentar a la herramienta. Si la batería está demasiado caliente, deje que se enfríe antes de reanudar el uso del producto. Si la herramienta sigue sin funcionar, recargue la batería.

**NOTA:** El indicador LED de la batería no funcionará si la función de protección de la batería ha provocado que la batería deje de alimentar a la herramienta y que ésta se detenga. Apague el producto o quite la batería del producto y el indicador LED de la batería volverá al funcionamiento normal.

### ASA TELESCÓPICA

El producto está equipado con un asa telescópica que se puede ajustar para guardar y operar. El asa telescópica se debe extender hasta la posición 1 o 2 al preparar el producto para su uso. Asegúrese de utilizar la palanca de bloqueo del asa y el seguro de desacoplamiento rápido para fijar correctamente el asa. Asegúrese de que el mango esté bloqueado durante el almacenamiento en vertical.

### DOS HUECOS PARA LAS BATERÍAS

El producto puede funcionar utilizando una o dos baterías. El uso de dos baterías permite obtener un mayor nivel de corriente, con lo que se consigue más potencia y un mayor tiempo de funcionamiento.

## CONSEJOS GENERALES PARA CORTAR EL CÉSPED

El tiempo de funcionamiento de la batería varía en función de las condiciones, la longitud y la densidad del césped.

Adapte la altura de corte del cortacésped a las condiciones del césped que va a cortar.

- Para un mejor rendimiento, corte siempre un tercio o menos de la altura total del césped.
- Al cortar césped alto, reduzca la velocidad de caminata para permitir un corte más efectivo y descargar apropiadamente los recortes.
- Cuanto mayor sea la altura de corte mayor será el tiempo de funcionamiento de la batería.

## TRANSPORTE Y ALMACENAMIENTO

- Detenga el producto, quite la llave del seccionador y la batería. Asegúrese de que todas las partes móviles se han detenido por completo. Deje que el producto se enfríe antes de guardarlo o transportarlo en un vehículo.
- Limpie todo el material extraño que pueda permanecer en el producto. Guarde en una zona seca y bien ventilada, a la que no puedan acceder los niños. Almacene el producto lejos de agentes corrosivos como sales de deshielo y productos químicos de jardín. No guarde el producto a la intemperie.
- Para su transporte en un vehículo, quite la llave del seccionador, asegure el producto para que no se mueva ni se caiga, con el fin de evitar lesiones a las personas o daños en el producto.
- Extreme las precauciones a la hora de elevar o inclinar el producto para su mantenimiento, limpieza, almacenamiento o transporte. La cuchilla está afilada. Mantenga todas las partes del cuerpo apartadas de la cuchilla cuando esta quede expuesta.

## TRANSPORTE DE BATERÍAS DE LITIO

Transporte de baterías de acuerdo con las disposiciones y reglamentos nacionales y locales.

Cumpla todos los requisitos especiales relativos al embalaje y etiquetado cuando el transporte de baterías se lleve a cabo por un tercero. Asegúrese de que, durante el transporte, las baterías no entran en contacto con otras baterías o materiales conductores protegiendo los conectores expuestos con tapones o tapas aislantes de material no conductor. No transporte baterías que tengan grietas o fugas. Consulte a la empresa de transporte para obtener más asesoramiento.

## MANTENIMIENTO

- Utilice sólo piezas y accesorios de recambio originales del fabricante. Si no lo hace podría ocurrir un mal funcionamiento, podrían producirse daños o podría quedar anulada la garantía.
- Las reparaciones requieren tener mucho cuidado y conocimiento y sólo debe realizarse por un técnico de servicio calificado. Solicite la reparación del producto únicamente en un centro de servicio autorizado.
- Detenga el producto, quite la llave del seccionador y la batería. Asegúrese de que todas las partes móviles se han detenido completamente antes de cualquier tarea de mantenimiento o limpieza.
- Por seguridad, reemplace las piezas desgastadas o dañadas.
- Revise frecuentemente si el recolector de césped tiene desgaste o deterioro.
- Verifique a intervalos frecuentes si todas las tuercas, pernos y tornillos están apretados apropiadamente para asegurarse de que el producto esté en buenas condiciones de trabajo.
- Tenga cuidado durante el ajuste de la máquina para evitar que sus dedos queden atrapados entre las cuchillas móviles y las partes fijas de la máquina.
- Al realizar el mantenimiento de las cuchillas, recuerde que aunque la fuente de alimentación esté desactivada, las cuchillas se pueden mover.
- Usted puede realizar los ajustes y reparaciones descritos en este manual del usuario. Para cualquier otra reparación del producto, solicite su realización únicamente a un centro de servicio autorizado.
- Después de cada uso, limpie las piezas de plástico con un paño suave y seco.

Cualquier pieza dañada debe ser sustituida o reparada adecuadamente por un centro de servicio autorizado.

- Este aparato está provisto de una cuchilla afilada. Tenga cuidado y use guantes pesados al encajar, substituir, limpiar o comprobar el tornillo de seguridad.
- Los pernos de la cuchilla tienen que estar correctamente apretados. Consulte las recomendaciones del fabricante para el par de torsión de los pernos de la cuchilla que se encuentran en la tabla de especificaciones del producto de este manual.

## ELIMINACIÓN DE UNA OBSTRUCCIÓN

- Detenga el producto, quite la llave del seccionador y la batería. Asegúrese de que todas las partes móviles se han detenido por completo.
- Use siempre guantes de protección para trabajo pesado en la comprobación y limpieza de una obstrucción. Las cuchillas están afiladas y la obstrucción también podría ser un objeto afilado.
- Retire el recolector de césped. Compruebe y elimine cualquier obstrucción presente en el colector de césped.
- Compruebe el canal de descarga del césped por si hay obstrucciones y límpielo detenidamente.
- Gire el producto hacia un lado. Compruebe la parte inferior y el área que rodea a la cuchilla. Elimine cuidadosamente cualquier obstrucción observada. Recuerde que la cuchilla se puede mover mientras se limpia.

## CONOZCA SU PRODUCTO

Véase la página 163.

1. Placa de interfaz
2. Botón de arranque
3. Palanca de encendido/apagado
4. Asa telescópica
5. Manual de instrucciones
6. Palanca de bloqueo de la empuñadura
7. Llave de aislamiento
8. Indicador de caja recogedora llena
9. Palanca de ajuste de la altura de corte
10. Seguro de desacoplamiento rápido
11. Recogedor de césped
12. Tapa de la batería
13. Rueda trasera
14. Rueda delantera
15. Conector de triturado
16. Batería
17. Cargador

## SÍMBOLOS EN EL PRODUCTO



Lea y entienda todas las instrucciones antes de utilizar el producto. Siga todas las advertencias e instrucciones de seguridad.



Use protección auditiva



Utilice protección ocular



No utilice el producto en pendientes de más de 15°. Siempre corte a través de las superficies de las cuestas, nunca de arriba hacia abajo.



No la exponga a la lluvia o a lugares húmedos.



Tenga cuidado con las cuchillas afiladas. Las cuchillas siguen girando después de apagar el motor. Quite la llave del seccionador antes de realizar el mantenimiento.



Tenga cuidado con los objetos volátiles o lanzados. Mantenga a todos los transeúntes, especialmente niños y mascotas, a una distancia mínima de 15 m de la zona de trabajo.



Adelante



Stop



Los productos eléctricos de desperdicio no deben desecharse con desperdicios caseros. Por favor reciclelos donde existan dichas instalaciones. Compruebe con su autoridad local o minorista para reciclar.



Marca de conformidad europea

Marca de conformidad británica

Certificado EAC de conformidad



Marca de conformidad de Ucrania



Nivel de potencia acústica garantizado



Posición 1 del mango telescópico



Posición 2 del mango telescópico

## SÍMBOLOS EN ESTE MANUAL



Las piezas o accesorios se venden por separado



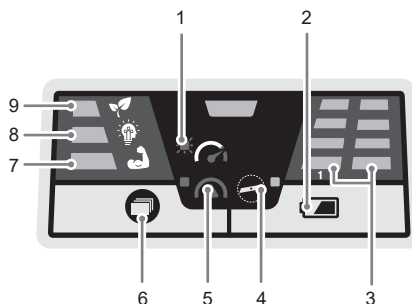
Nota



Advertencia

## VISTA GENERAL DE LA PLACA DE INTERFAZ

La placa de interfaz muestra el estado y la condición del producto.



1. Carga alta: indica que la carga es demasiado alta para la configuración actual y que el producto podría calarse. Cambie al modo de potencia, aumente la altura de corte o reduzca la velocidad de desplazamiento.
2. Botón de estado de carga de la batería: cuando se pulsa, se activa el indicador de nivel de carga de la batería.
3. Indicador del nivel de carga de las baterías: indica el nivel de carga restante en las baterías.

- Si solo se ilumina una luz LED, la capacidad de las baterías es inferior al 25 %.
  - Si se iluminan dos luces LED, la capacidad de las baterías está comprendida entre el 25 % y el 50 %.
  - Si se iluminan tres luces LED, la capacidad de las baterías está comprendida entre el 50 % y el 75 %.
  - Si se iluminan cuatro luces LED, la batería está totalmente cargada. La capacidad de la batería estará entre el 75% y el 100%.
4. Indicador de comprobación de la cuchilla: indica que la cuchilla se debe comprobar. Sustituya la cuchilla roma para mantener el producto en buen estado de funcionamiento.
  5. Indicador de sobrecarga: indica que el producto se ha sobrecargado y que es posible que la cuchilla se haya atascado.
  6. Botón de modo: cuando se pulsa, cambia el modo de corte del producto.
  7. Modo de potencia: indica que la cuchilla gira a alta velocidad para cortar césped denso.
  8. Modo inteligente: indica que el cortacésped puede ajustar la velocidad de la cuchilla en función de la carga soportada por el producto para corte general.
  9. Modo eco: indica que la cuchilla gira a baja velocidad para cortar césped fino.

E' stata data massima priorità a sicurezza, prestazioni e affidabilità nel design di questo tosaerba senza cavo.

### UTILIZZO RACCOMANDATO

Il tosaerba a batteria è destinato al solo uso all'aperto.

Questo prodotto è indicato per tagliare l'erba di prati domestici. È un tosaerba azionato da un operatore con spinta a mano.

Il prodotto non deve essere messo in funzione con le ruote fuori del terreno. Non trainarlo né salirvi sopra.

Non utilizzare per altri scopi.

### AVVERTENZE GENERALI DI SICUREZZA

- Conservare le istruzioni per eventuali riferimenti futuri.
- Utilizzare il prodotto soltanto con le batterie specificate nel presente manuale. Quando si utilizza un prodotto che funziona a batteria, seguire sempre le precauzioni di sicurezza base per ridurre il rischio di incendi, batterie che perdono o lesioni personali.

### SICUREZZA PERSONALE

- Non permettere mai a bambini o persone con ridotte capacità fisiche, sensoriali o mentali o a persone che non conoscono queste istruzioni di mettere in funzione, o svolgere le operazioni di pulizia e manutenzione sul prodotto. Leggi locali possono limitare l'età dell'operatore. Supervisionare adeguatamente I bambini per assicurarsi che non giochino con il prodotto.
- Familiarizzare con I comandi e il corretto utilizzo del prodotto.
- Indossare pantaloni lunghi e pesanti, maniche lunghe, e calzature robuste antidistrucchio. Non indossare pantaloni corti o sandali e non utilizzare l'apparecchio a piedi nudi. Evitare di indossare abiti con parti svolazzanti o con cordicelle o lacci.
- Sui pendii procedere sempre in diagonale e mai in direzione verticale. Fare estrema attenzione quando si cambia direzione sui pendii. Mantenere sempre un appoggio saldo e l'equilibrio. Camminare, non correre mai.
- Non utilizzare il prodotto vicino a dirupi, avvallamenti, pendii eccessivamente ripidi o argini.

- Indossare sempre occhiali di sicurezza.
- Il prodotto è in grado di amputare mani e piedi, oltre che di scagliare oggetti a distanza. La mancata osservanza delle norme di sicurezza potrà causare gravi lesioni personali o morte.
- Fare sempre attenzione, osservare le operazioni di lavoro e utilizzare senso comune quando si mette in funzionamento l'unità. Non mettere in funzione il prodotto se stanchi, malati o sotto l'influenza di alcool, droghe e medicinali. Una perdita di concentrazione mentre si utilizza la macchina potrà causare gravi lesioni alla persona.

### AMBIENTE DI LAVORO

- Non utilizzare mai il prodotto nel caso in cui vi siano eventuali osservatori, soprattutto bambini, o animali in un raggio di 15 m dal momento che gli oggetti che entrano in contatto con le lame potranno essere scagliati in aria.
- Utilizzare il prodotto solo alla luce del giorno o con una buona illuminazione artificiale.
- Non mettere in funzione su erba bagnata o sotto la pioggia.
- Ricordare che l'operatore sarà responsabile di eventuali lesioni o danni a persone o cose.
- Gli oggetti rimasti incastrati nel tosaerba potranno causare gravi lesioni a persone. Ispezionare la zona dove si utilizza la macchina e rimuovere rocce, rami, pezzi di metallo, cavi, ossa, giocattoli o altri corpi estranei. Ricordare che cavi o fili potranno rimanere impigliati nei dispositivi di taglio.
- Non mettere in funzione l'utensile in atmosfere esplosive, come in presenza di liquidi infiammabili, gas o polvere. L'utensile potrà creare scintille che potranno causare incendi a contatto con polvere o vapori.
- Non utilizzare il prodotto in caso di rischi di fulmini.
- Si potranno verificare spiacevoli incidenti se si lasceranno avvicinare bambini alla zona di taglio. I bambini sono spesso attratti da questo utensile e dall'attività che esso può svolgere. Non presumere mai che i bambini rimangano nella posizione dove li si è lasciati.
- Prestare massima attenzione in prossimità di angoli, cespugli, alberi o altri oggetti, inclusi arbusti sporgenti, che potrebbero ostruire la visuale.

## UTILIZZO E MANUTENZIONE DI UN UTENSILE A BATTERIE

- Leggere, comprendere e seguire sempre le istruzioni di sicurezza fornite con la batteria e con il caricatore. La mancata osservanza potrà causare scosse elettriche, incendi o altre situazioni pericolose. Conservare tutte le istruzioni assieme in un luogo sicuro per eventuali riferimenti futuri.
- Gli utensili a batterie non devono essere collegati a una presa elettrica per funzionare; sono quindi sempre in grado di funzionare. Rimuovere la chiave dell'isolatore quando non si mette in funzione il prodotto.
- Rimuovere il gruppo batterie prima di svolgere eventuali regolazioni, operazioni di pulizia o rimuovere materiale dall'unità.
- Assicurarsi che la chiave dell'isolatore sia stata rimossa prima di inserire il gruppo batterie.
- Ricaricare il gruppo batterie solo con il caricatore indicato dalla ditta produttrice. Utilizzare un caricatore con un gruppo batterie non compatibile potrà creare un rischio di incendio. Utilizzare il gruppo batterie solo con il caricatore indicato.
- Utilizzare solo il gruppo batteria indicato per questo utensile. L'utilizzo di gruppi batteria diversi da quello indicato potrà causare rischi di incendi, scosse elettriche o lesioni alla persona.
- Quando il gruppo batterie non viene utilizzato, tenerlo lontano da oggetti in metallo come fermagli, monete, chiavi, chiodi, viti o altri piccoli oggetti che potranno fare da tramite da un terminale all'altro. Cortocircuitare i terminali del gruppo batterie assieme potrà causare scintille, scottature, incendi o esplosioni.
- Non posizionare i prodotti a batteria o le loro batterie vicino a fuoco o fonti di calore. Ciò aumenterà il rischio di esplosioni e di possibili lesioni.
- Non aprire o danneggiare la batteria. Il liquido elettrolitico rilasciato è corrosivo e può causare danni agli occhi e alla pelle. Può essere tossico se ingoiato.
- Proteggere il gruppo batterie da acqua e umidità. Non ricaricare in zone umide o bagnate. Il rispetto di questa norma riduce il rischio di scosse elettriche.
- In caso di danni e di utilizzo improprio della batteria, l'utensile potrà emettere dei

vapori. Esporsi ad aria fresca e rivolgersi a un medico in caso di malore. I vapori creati potranno irritare il sistema respiratorio.

- Non lasciare il gruppo batterie all'interno di un veicolo in temperature estremamente alte o basse.
- Non bruciare la batteria.
- Se sottoposto a stress, la batteria potrà perdere dei liquidi; evitare il contatto. Se si entra accidentalmente in contatto con tali liquidi, lavarsi immediatamente con acqua. Se il liquido entra negli occhi, rivolgersi a un medico. Il liquido espulso dalla batteria potrà causare irritazioni o scottature.

## AVVERTENZE DI SICUREZZA DECESPUGLIATORE

- Prima dell'uso, ispezionare visivamente il prodotto per visualizzare che lame, bulloni della lama e altri gruppi di taglio non siano usurati o danneggiati. Sostituire le lame usurate o danneggiate e i bulloni tutti assieme per mantenere l'equilibrio.
- Portare il prodotto presso un centro servizi autorizzato per sostituire le parti danneggiate o le etichette illeggibili.
- Non tirare il prodotto indietro a meno che non sia assolutamente necessario. Prima di fare marcia indietro per evitare un muro o ostruzione d'altro genere, controllare bene il terreno per evitare di inciampare o di passarsi la macchina sui piedi.
- Spegner il prodotto e lasciare che la lama si arresti se il prodotto deve essere inclinato per il trasporto quando si attraversano superfici diverse dall'erba e quando si trasporta il prodotto da e verso l'area di lavoro.
- Non utilizzare mai il prodotto con protezioni o schermi difettosi o senza dispositivi di sicurezza, ad esempio, deflettori e raccoglitori di erba, in posizione.
- Non inclinare il prodotto mentre si accende il motore o con il motore in funzione. Ove assolutamente necessario, sollevare la parte anteriore del tosaerba di non oltre 5 cm per facilitarne l'avviamento. Spingere a fondo la maniglia per avviarlo. Prima di cominciare a tagliare l'erba, riportare sempre il tosaerba nella normale posizione con tutte le 4 ruote al suolo. Inclinando il tosaerba si espone la lama e si aumenta la probabilità che vengano scagliati frammenti e di contatto accidentale con la lama.

EN  
FR  
DE  
ES  
IT  
NL  
PT  
DA  
SV  
FI  
NO  
RU  
PL  
CS  
HU  
RO  
LV  
LT  
ET  
HR  
SL  
SK  
BG  
UK  
TR

- Non avviare il prodotto stando di fronte all'apertura di scarico dell'erba.
- Il prodotto deve essere avviato con l'utente dietro il manico nella zona di sicurezza dell'operatore. Non avviare mai il prodotto se:
  - lo scivolo di scarico dell'erba è esposto, non protetto dal contenitore di raccolta né dal coperchio dello scivolo di scarico dell'erba
  - L'operatore deve tenere mani e piedi lontani dai dispositivi di taglio.
- Accendere il prodotto con attenzione in base alle istruzioni e tenere le mani e i piedi lontani dalle lame. Tenere mani e piedi lontani dalle parti rotanti. Tenersi sempre lontani dalle aperture di scarico.
- Non alzare né trasportare il prodotto con il motore in funzione.
- Arrestare il prodotto, togliere la chiave d'isolamento e la batteria. Assicurarsi che tutte le parti in movimento si siano arrestate:
  - quando si lascia il prodotto incustodito (compreso lo smaltimento di sfalci d'erba).
  - prima di ripristinare un blocco o liberare lo scivolo di scarico
  - prima di svolgere le operazioni di controllo o pulizia sul prodotto o prima di utilizzarlo
  - prima di rimuovere il contenitore di raccolta dell'erba o di aprire il coperchio dello scivolo di scarico dell'erba
  - dopo aver colpito un oggetto estraneo; controllare il dispositivo per individuare eventuali danni e svolgere le dovute riparazioni come necessario prima di riavviare e mettere in funzione l'utensile.
  - se il prodotto inizia a vibrare in maniera anormale (controllare immediatamente)
    - controllare eventuali danni riportati in modo particolare dalle lame
    - sostituire o riparare le parti danneggiate
    - controllare e serrare le parti eventualmente allentate
- La lama di taglio dovrà ruotare parallelamente al terreno sulla quale viene attivata.
- La lama sul prodotto è affilata. Fare attenzione e indossare guanti da lavoro quando si svolgono le operazioni di montaggio, sostituzione, pulizia o quando si controlla la sicurezza del bullone.
- Non mettere in funzione il prodotto se l'interruttore on/off (acceso/spento) sul manico non avvia o arresta correttamente il prodotto.
- Non tentare di bloccare gli interruttori acceso/spento sulla posizione ON (acceso); ciò sarà estremamente pericoloso.
- Non forzare il prodotto. L'utensile svolgerà un lavoro migliore e più sicuro se utilizzato alla velocità per la quale è stato progettato.
- Arrestare la lama quando si attraversano superfici acciottolate.
- Evitare buchi, solchi, rocce o altri oggetti nascosti. Terreni irregolari possono provocare scivolate e cadute.
- Assicurarsi sempre che il cavo di controllo del motore non sia stato intrappolato, schiacciato o danneggiato in alcun modo durante il montaggio o quando si ripiega il manico.
- Il prolungato utilizzo dell'utensile potrà causare o aggravare lesioni. Quando il prodotto viene utilizzato per periodi prolungati, effettuare brevi interruzioni.

#### AVVERTENZE AGGIUNTIVE PER LA SICUREZZA DELLA BATTERIA

- Per ridurre il rischio d'incendio, di lesioni o di danni al prodotto causati da corto circuito, non immergere mai l'utensile, la batteria ricaricabile o la carica batterie in un liquido e non lasciare mai penetrare alcun liquido all'interno dei dispositivi e delle batterie. I fluidi corrosivi o conduttori come acqua salata, alcuni agenti chimici, agenti candeggianti o prodotti contenenti agenti candeggianti potrebbero provocare un corto circuito.
- Non smaltire i pacchi batteria insieme ai rifiuti domestici. Devono essere raccolti separatamente e portati a un centro di riciclo ecologico. Consultare il proprio ente locale o rivenditore per consigli sul riciclo e sul punto di raccolta.

#### CARATTERISTICHE DEL PRODOTTO

##### PROTEZIONE DA SOVRACCARICO E SURRISCALDAMENTO

Il prodotto è dotato di un dispositivo di protezione da sovraccarico. Quando viene rilevato un sovraccarico, il prodotto si spegne automaticamente. Se la protezione



dai sovraccarichi scatta, rilasciare la leva di accensione/spengimento. Premere il pulsante start e stringere la leva di accensione/spengimento. Se il prodotto non si accende, reinstallare il pacco batteria.

Il gruppo batteria viene protetto da sovraccarico. Le batterie non funzioneranno in temperature estreme. Se le batterie sono troppo calde, lasciarle raffreddare prima di riprendere l'utilizzo. Se l'utensile non funziona, ricaricare la batteria.

**NOTA:** Il LED indicatore del gruppo batterie non funzionerà se il dispositivo di protezione della batteria avrà bloccato l'alimentazione dell'utensile. Spegnerne il prodotto o rimuovere la batteria dal prodotto; l'indicatore LED della batteria riprenderà a funzionare normalmente.

### MANIGLIA TELESCOPICA

Il prodotto è fornito di una maniglia telescopica regolabile per quando si ripone o utilizza il prodotto. La maniglia telescopica deve essere estesa alla posizione 1 o 2 quando si prepara il prodotto per l'utilizzo. Assicurarsi che la maniglia sia fissata con una leva di blocco e un fissaggio a rilascio rapido. Accertarsi che la maniglia sia bloccata durante lo stoccaggio verticale.

### DUE SLOT BATTERIA

Il prodotto può funzionare utilizzando uno o due pacchi batteria. Due pacchi batteria scaricano una corrente maggiore, fornendo più potenza e allungando i tempi di funzionamento.

### CONSIGLI GENERALI PER LE OPERAZIONI DI DECESPUGLIATURA

Il tempo di funzionamento della batteria dipende dalla condizione, lunghezza e densità dell'erba.

Regolare l'altezza di taglio del decespugliatore in modo da corrispondere alla condizione attuale dell'erba da tagliare.

- Per prestazioni ottimali, tagliare sempre un terzo o meno dell'altezza totale dell'erba.
- Quando si taglia erba alta, ridurre la propria velocità per permettere un taglio più efficace e una raccolta migliore degli scarti.
- Un'altezza di taglio più alta estenderà il tempo di funzionamento della batteria.

### TRASPORTO E RIPONIMENTO

- Arrestare il prodotto, togliere la chiave d'isolamento e la batteria. Assicurarsi che tutte le parti in movimento si siano arrestate. Prima di riporre il prodotto o di trasportarlo in un veicolo, lasciarlo raffreddare.
- Rimuovere eventuali materiali di scarto dal prodotto. Riporre in un luogo asciutto e ben ventilato non accessibile ai bambini. Tenere il prodotto lontano da agenti corrosivi come agenti chimici da giardino e sali scongelanti. Non conservare il prodotto all'aperto.
- Quando si trasporta il tosaerba a bordo di un veicolo, togliere la chiave d'isolamento e assicurarlo saldamente onde evitare che spostandosi o cadendo possa danneggiarsi o causare lesioni alle persone.
- Prestare attenzione quando si solleva o si inclina il prodotto per manutenzione, pulizia, conservazione o trasporto. La lama è affilata. Tenere tutte le parti lontane dalla lama mentre la lama è scoperta.

### TRASPORTO BATTERIE AL LITIO

Trasportare le batterie rispettando quanto indicato dalle norme e regolamentazioni locali.

Far rispettare quanto indicato sulle etichette e sull'involucro quando la batteria viene trasportata da terzi. Assicurarsi che le batterie non entrino in contatto con altre batterie o con materiali conduttivi mentre si trasportano proteggendo connettori esposti con tappi o nastro isolante e non conduttivo. Non trasportare batterie rotte o che perdono liquidi. Consultare la ditta produttrice per eventuali ulteriori consigli.

### MANUTENZIONE

- Utilizzare solo parti di ricambio, accessori e dispositivi originali della ditta produttrice. In caso contrario si potranno causare lesioni, prestazioni basse e la garanzia verrà invalidata.
- Le operazioni di manutenzione devono essere svolte con grande attenzione e accortezza solo da un tecnico qualificato. Far riparare il prodotto esclusivamente da un centro assistenza autorizzato.
- Arrestare il prodotto, togliere la chiave d'isolamento e la batteria. Assicurarsi che tutte le parti mobili si siano arrestate completamente prima di qualsiasi attività di pulizia o manutenzione.

- Sostituire parti consumate o danneggiate per una maggiore sicurezza.
- Controllare spesso il cestello raccoglierba per evidenziare segni di usura e deterioramento.
- Controllare frequentemente dadi, bulloni e viti, verificando che siano stati assicurati correttamente per fare in modo che il prodotto garantisca condizioni di lavoro ottimali.
- Fare attenzione durante le regolazioni dell'utensile per evitare di rimanere intrappolati con le dita tra le lame in movimento e le parti fisse dell'utensile.
- Durante la manutenzione delle lame, assicurarsi che anche se la fonte di alimentazione è spenta, le lame possono continuare a muoversi.
- L'operatore potrà fare le regolazioni e riparazioni descritte nel presente manuale. Per altre riparazioni, portare il prodotto esclusivamente presso un centro assistenza autorizzato.
- Dopo ogni uso, pulire i pezzi di plastica con un panno morbido e asciutto. Riparare eventuali parti danneggiate o farle sostituire da un centro servizi autorizzato.
- La lama sul prodotto è affilata. Fare attenzione e indossare guanti da lavoro quando si svolgono le operazioni di montaggio, sostituzione, pulizia o quando si controlla la sicurezza del bullone.
- I bulloni delle lama devono essere serrati in modo appropriato. Consultare le raccomandazioni del produttore per conoscere i valori di coppia per i bulloni della lama; sono riportati nella tabella dei dati tecnici del prodotto in questo manuale.

## RIMUOVERE UN BLOCCO

- Arrestare il prodotto, togliere la chiave d'isolamento e la batteria. Assicurarsi che tutte le parti in movimento si siano arrestate.
- Indossare sempre guanti di protezione pesanti quando si controllano e rimuovono eventuali blocchi. Le lame sono affilate e l'ostruzione stessa potrebbe essere costituita da un oggetto affilato.
- Rimuovere il cestello raccoglierba. Verificare la presenza di ostruzioni e rimuoverle facendo attenzione.

- Verificare la presenza di ostruzioni nello scivolo di scarico dell'erba e rimuoverle facendo attenzione.
- Accendere il prodotto di lato. Controllare la parte inferiore e l'area intorno alla lama. Rimuovere con attenzione eventuali blocchi trovati. Ricordare che la lama potrebbe muoversi durante le operazioni di pulizia.

## FAMILIARIZZARE CON IL PRODOTTO

Vedere pagina 163.

1. Scheda di interfaccia
2. Tasto di avvio
3. Leva di accensione/spengimento
4. Maniglia telescopica
5. Manuale dell'operatore
6. Leva di blocco della maniglia
7. Chiave isolatore
8. Indicatore sacchetto erba pieno
9. Leva di regolazione altezza di taglio
10. Dispositivo di fissaggio a rilascio veloce
11. Dispositivo raccoglierba
12. Vano batterie
13. Ruote posteriori
14. Ruote anteriori
15. Presa dispositivo di triturazione
16. Batteria
17. Caricatore

## SIMBOLI SUL PRODOTTO



Prima di utilizzare il prodotto leggere e comprendere tutte le istruzioni. Osservare tutte le avvertenze e le istruzioni di sicurezza.



Indossare cuffie di protezione



Indossare dispositivi di protezione occhi



Non utilizzare il prodotto su inclinazioni oltre il 15°. Operare un taglio obliquo sui pendii, non tagliare mai passando il tosaerba in su e in giù.



Non esporre a pioggia o umidità.



Fare attenzione alle lame affilate. Le lame continuano a ruotare dopo che il motore si è spento. Rimuovere la chiave d'isolamento prima della manutenzione.



Fare attenzione ad oggetti scagliati o lanciati dall'utensile. Tenere tutti i presenti, in particolare bambini e animali domestici, ad almeno 15 m dall'area operativa.



Avvio



Arresto



I prodotti elettrici non devono essere smaltiti con i rifiuti domestici. Vi sono strutture per smaltire tali prodotti. Informarsi presso il proprio Comune o rivenditore di sicurezza per smaltire adeguatamente tali rifiuti.



Marchio di conformità europeo



Marchio di conformità britannico



Marchio di conformità EurAsian



Marchio di conformità ucraino



Livello di potenza acustica garantito



Posizione 1 sulla maniglia telescopica



Posizione 2 sulla maniglia telescopica

## SIMBOLI NEL PRESENTE MANUALE



Parti o accessori venduti separatamente



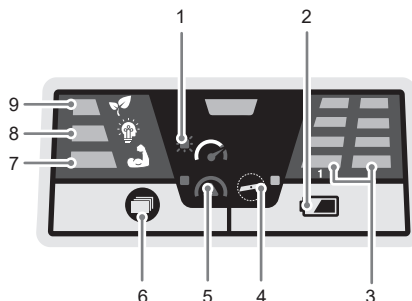
Note



Avvertenze

## PANORAMICA SCHEDA DI INTERFACCIA

La scheda interfaccia mostra lo stato e la condizione del prodotto.



1. Carico eccessivo: indica che il carico è eccessivo per l'impostazione di corrente e il prodotto potrebbe bloccarsi. Passare alla modalità power, aumentare l'altezza di taglio o ridurre la velocità di camminata.
2. Pulsante stato di carica batteria: si illumina quando la spia di livello batteria viene premuto.
3. Spia livello batteria: indica il quantitativo di carica rimasta nei pacchi batteria.
  - Se lampeggia solo una luce LED, la capacità del pacco batteria è inferiore al 25%.
  - Se lampeggiano due luci LED, la capacità del pacco batteria è compresa tra 25% e 50%.
  - Se lampeggiano tre luci LED, la capacità del pacco batteria è compresa tra 50% e 75%.
  - Se lampeggiano quattro luci LED, il pacco batteria è completamente carico. La potenza del gruppo batterie è del 75%-100%.
4. Spia verifica lama: indica che la lama deve essere controllata. Sostituire la lama smussata per tenere il prodotto in buone condizioni.
5. Spia sovraccarico: indica che il prodotto è sovraccaricato e che la lama potrebbe essere inceppata.
6. Pulsante Mode: cambia la modalità di taglio del prodotto quando premuto.
7. Modalità Power - indica che la lama è a velocità eccessiva per taglio dell'erba pesante.
8. Modalità smart: indica che il tagliaerba è in grado di regolare la velocità della lama a seconda del carico sul prodotto per il taglio generale.
9. Modalità Eco: indica che la lama è a bassa velocità per un taglio d'erba sottile.

Veiligheid, prestaties en betrouwbaarheid kregen topprioriteit in het ontwerp van uw snoerloze heggenschaar.

## VOORGESCHREVEN GEBRUIK

Deze draadloze grasmaaier is alleen bedoeld voor gebruik buiten.

Dit product is geschikt voor huishoudelijk grasmaaien. Het is een wandelganggestuurde gazonmaaier, ontworpen om handmatig te worden voortgeduwd.

Het product mag nooit worden gebruikt met de wielen van de grond. Er mag niet aan worden getrokken of tevens mag er niet op worden gereden.

Gebruik niet voor andere doeleinden.

## ALGEMENE VEILIGHEIDSWAARSCHUWINGEN

- Bewaar de instructies voor later gebruik.
- Gebruik voor het apparaat alleen de accu die in deze handleiding is aangegeven. Bij gebruik van een op batterijen werkend product moeten altijd de elementaire veiligheidsmaatregelen in acht worden genomen om het risico van brand, lekkende batterijen en persoonlijk letsel te verminderen.

## PERSOONLIJKE VEILIGHEID

- Laat kinderen of mensen met verminderde fysieke, zintuigelijke of mentale vermogens of mensen die niet met deze instructies vertrouwd zijn, het product niet bedienen, reinigen of onderhouden. De plaatselijke wetgeving kan beperkingen opleggen i.v.m. de leeftijd van de bediener. Kinderen moeten onder toezicht staan om ervoor te zorgen dat ze niet met het product spelen.
- Wees vertrouwd met de bedieningen en het correct gebruik van het product.
- Draag een zware, lange broek, lange mouwen en stevig anti-slip-schoeisel. Draag geen korte broek en sandalen en ga nooit op blote voeten. Draag geen loszittende kledij of kledij met loshangende snoeren of touwen.
- Gebruik het product langs een helling, nooit op een neer. Wees uiterst voorzichtig wanneer u op een helling van richting verandert. Bewaar steeds een stevige houvast en goed evenwicht. Stap altijd, loop nooit.

- Gebruik het product niet in de buurt van afstelplaatsen, dijken, zeer steile hellingen of bermen.
- Draag altijd een veiligheidsbril.
- Het product kan handen en voeten amputeren en voorwerpen omgooien. Wanneer u deze voorschriften niet opvolgt, kan dit leiden tot ernstige verwondingen of de dood.
- Blijf alert en kijk naar wat u doet en gebruik uw gezond verstand wanneer u de machine gebruikt. Gebruik het product niet wanneer u moe, ziek of onder de invloed bent van alcohol, drugs of medicijnen. Een klein moment van onoplettendheid terwijl u de machine gebruikt kan leiden tot ernstige letsels.

## WERKOMGEVING

- Gebruik het product nooit terwijl mensen, in het bijzonder kinderen, of huisdieren zich in een straal van 15 meter van de machine bevinden omwille van het gevaar voor voorwerpen die door contact met het maaiblad worden weggeworpen.
- Gebruik het product uitsluitend bij daglicht of goede kunstmatige verlichting.
- Gebruik de machine niet in vochtig gras of in de regen.
- Hou er rekening mee dat de bediener of gebruiker verantwoordelijk is voor ongevallen of gevaren t.o.v. anderen of hun eigendom.
- Voorwerpen die door het snijblad van de grasmaaier worden geraakt, kunnen ernstige verwondingen veroorzaken. Inspecteer de plaats waar de machine zal worden gebruikt grondig en verwijder alle stenen, stokken, metaal, draad, beenderen, speelgoed en andere vreemde voorwerpen. Onthoud dat een draad of kabel in de messen verstrikt kan raken.
- Gebruik de machine niet in explosieve atmosferen, zoals in de aanwezigheid van ontvlambare vloeistoffen, gassen of stof. Het werktuig kan vonken veroorzaken die stof of gassen kunnen ontsteken.
- Gebruik het product niet als er gevaar is voor bliksem.
- Tragische ongevallen kunnen gebeuren indien de bediener niet alert is op de aanwezigheid van kinderen. Kinderen worden door het toestel en de

maaiactiviteiten vaak aangetrokken. Neem nooit aan dat kinderen zullen blijven waar u ze laatst zag.

- Wees extra voorzichtig bij het naderen van blinde hoeken, struiken, bomen of andere voorwerpen die uw zicht kunnen blokkeren, zoals overhangende takken en struiken.

## GEbruik EN ONDERHOUD VAN HET ACCUaANGEDREVEN WERKtuIG

- Lees, begrijp en volg altijd de veiligheidsvoorschriften die met uw batterij en lader werden meegeleverd. Als u dit niet doet, kan dit leiden tot een elektrische schok, brand of een andere gevaarlijke situatie. Bewaar alle instructies samen op een veilige plaats voor later gebruik.
- Accuaangedreven gereedschap hoeft niet met een stopcontact te zijn verbonden en bevindt zich daarom altijd in een gebruiksklare toestand. Verwijder de isolatorsleutel wanneer u het product niet gebruikt.
- Verwijder het accupack voor u de machine afstelt, reinigt of materiaal uit de machine verwijdert.
- Zorg ervoor dat de isolatorsleutel wordt verwijderd voor het accupack wordt ingebracht.
- Een accupack mag uitsluitend worden herladen met de lader die door de fabrikant wordt gespecificeerd. Wanneer u een lader met een niet-compatibel accupack gebruikt kan dit een risico op brand veroorzaken. Gebruik het accupack uitsluitend met de opgelijste oplader.
- Gebruik uitsluitend accupacks die specifiek voor de machine zijn bedoeld. Het gebruik van een ander accupack kan leiden tot risico op brand, elektrische schok of lichamelijke letsels.
- Wanneer het accupack niet wordt gebruikt, moet u het weg houden van andere metalen objecten, zoals papierclips, munten, sleutels, spijkers, schroeven of andere kleine metalen voorwerpen die een verbinding kan maken van een terminal naar een andere. Het kortsluiten van de batterijterminals kan vonken, brand, brandwonden of een explosie veroorzaken.
- Plaats geen accuprodukten of hun accu's in de buurt van vuur of hitte. Dit verhoogt het risico op explosies en mogelijke verwondingen.

- Open of beschadig het accupack nooit. Vrijgekomen elektrolyt is corrosief en kan schade aan ogen of huid veroorzaken. Het kan giftig zijn indien het wordt ingenomen.
- Bescherm het accupack tegen vocht en water. Laad de machine niet op een vochtige of natte plek op. Het naleven van deze regel verlaagt het risico op elektrische schok.
- In geval van schade en oneigenlijk gebruik van de accu, kan er stoom vrijkomen. Zorg voor verse lucht en raadpleeg medische hulp ingeval van klachten. De stoom kan leiden tot irritatie van de luchtwegen.
- Laat het batterijpack niet in een voertuig achter in warme of koude omstandigheden.
- Verbrand de accu niet.
- In oneigenlijke omstandigheden, kan een vloeistof uit de accu lekken; vermijd contact hiermee. Als per ongeluk contact voorkomt, spoelt u met water. Als de vloeistof in contact komt met de ogen, dient u bijkomend medische hulp te raadplegen. Vloeistof die uit de accu lekt, kan irritatie of brandwonden veroorzaken.

## VEILIGHEIDSWAARSCHUWINGEN GRASMAAIMACHINE

- Inspecteer de machine vóór gebruik altijd visueel, om er zeker van te zijn dat de snijbladen, mesjes en de snijplotter niet versleten of beschadigd zijn. Vervang versleten of beschadigde maaibladen en moeren in paren om het evenwicht te bewaren.
- Breng het product naar een geautoriseerd onderhoudscentrum om beschadigde of onleesbare etiketten te vervangen.
- Trek het product niet achteruit tenzij absoluut nodig. Als u de machine achteruit moet wegsturen van een muur of obstructie, kijk dan eerst naar beneden en achter u om te voorkomen dat u struikelt en de machine over uw voeten trekt.
- Schakel de machine uit en laat de snijbladen stoppen als de machine gekanteld moet worden voor transport bij het oversteken van andere oppervlakken dan gras en bij het transport van en naar een andere werkplek.
- Gebruik de machine nooit met defecte afschermingen of beschermkappen, of zonder dat veiligheidsvoorzieningen zoals deflectoren en grasvangers zijn aangebracht.

- Het product mag niet worden gekanteld worden als de motor wordt ingeschakeld of als de motor draait. Zo nodig kunt u de voorkant van de grasmaaier maximaal 5 cm optillen voor een eenvoudiger start. Druk hiervoor de hendel naar beneden. Zorg dat de grasmaaier zich weer in zijn normale positie bevindt, met alle wielen op de grond, alvorens met maaien te beginnen. Door de grasmaaier te kantelen worden de messen blootgesteld, wat de kans op het wegschieten van voorwerpen of onbedoeld contact met de messen vergroot.
- Start de machine niet terwijl u voor de uitlaatopening staat.
- Het product moet worden gestart terwijl de gebruiker achter het handvat staat in de veilige zone. Start het product nooit als:
  - de afvoergoot voor gras is blootgesteld en wordt niet beschermd door de grasbak en het deksel van de afvoergoot voor gras
  - handen en voeten van iedereen die zich binnen het maaibereik bevindt, niet duidelijk zichtbaar zijn.
- Schakel de het product voorzichtig in, volgens de instructies en zorg dat handen en voeten zich uit de buurt van de messen bevinden. Steek uw handen of voeten niet in de buurt van of onder ronddraaiende onderdelen. Hou de uitlaatopening altijd vrij.
- Hef het product nooit op of draag het nooit terwijl de motor draait.
- Stop het product en verwijder de isolatersleutel en de accu. Zorg ervoor dat alle bewegende delen volledig tot stilstand zijn gekomen:
  - wanneer u het product onbeheerd achter laat (ook bij het verwijderen van het grasafval)
  - alvorens een blokkade te verwijderen of de afvoergoot te ontstoppen
  - voor u het product controleert, reinigt of aan het product werkt.
  - voor het verwijderen van de grasvanger of het openen van de kap van de grasafvoergoot
  - nadat een vreed voorwerp de machine heeft geraakt; inspecteer de machine op schade en herstel de machine indien nodig voor u de ze heropstart en opnieuw gebruikt.
  - als het product abnormaal begint te trillen (onmiddellijk controleren)
    - op schade controleert, in het bijzonder de handvatten
    - vervang of repareer alle beschadigde onderdelen
    - controleer op losse onderdelen en maak vast
- Het maaiblad moet ongeveer parallel draaien met de grond waarover het wordt gereden.
- Het maaiblad op het product is scherp. Wees voorzichtig en draag zware handschoenen wanneer u de veiligheidsbout installeert, vervangt, reinigt of controleert.
- Gebruik het product nooit als de aan/uitknop op het handvat het product niet correct start en stillet.
- Probeer de aan/uitschakelaar nooit in de AAN-stand te vergrendelen; dit is uiterst gevaarlijk.
- Forceer het product niet. Deze zal beter en veiliger werken aan de snelheid waarvoor ze werd ontworpen.
- Stop het maaiblad wanneer u een grintoppervlak oversteeft.
- Vermijd gaten, sporen, oneffenheden, stenen of andere verborgen voorwerpen. Een oneven terrein kan ervoor zorgen dat u wegglijdt en valt.
- Zorg er altijd voor dat de motorbesetingskabel tijdens de montage of wanneer het handvat wordt geplooid, nooit geklemd of op een andere manier beschadigd raakt.
- Letsels kunnen worden veroorzaakt of ernstiger worden door verlengd gebruik van een werktuig. Wanneer u het apparaat voor langere tijd achtereen gebruikt, neem dan regelmatig een pauze.

#### EXTRA WAARSCHUWINGEN BATTERIJVEILIGHEID

- Voorkom brand, persoonlijk letsel of materiële schade door kortsluiting en dompel het gereedschap, de wisselaccu en het laadtoestel niet onder in vloeistoffen en waarborg dat geen vloeistoffen in de apparaten en accu's kunnen dringen. Corrosieve of geleidende vloeistoffen zoals zout water, bepaalde chemicaliën, bleekmiddelen of producten die bleekmiddelen bevatten, kunnen een kortsluiting veroorzaken.

- Gooi de accu's niet weg met huishoudelijk afval. Ze moeten apart worden ingezameld en afgevoerd naar milieuvriendelijk inzamelpunt voor recycling. Neem contact op met uw gemeente of winkelier voor recyclingadvies en inzamelpunt.

## PRODUCTKENMERKEN

### OVERBELASTING EN OVERVERHITTING BESCHERMING

Het product heeft een overbelastingsbeveiliging. Wanneer overbelasting wordt opgespoord, zal het apparaat automatisch worden uitgeschakeld. Indien de overbelastingsbeveiliging wordt geactiveerd, moet de aan/uit-hendel worden losgelaten. Druk op de startknop en knijp vervolgens in de aan-/uit-hendel om het apparaat te starten. Als het product nog steeds niet wordt ingeschakeld, moet u de accu opnieuw installeren.

Het batterijpack beschikt over oververhittingsbescherming. Te hoge temperaturen zullen ervoor zorgen dat de accu het werktuig niet langer aandrijft. Als de accu oververhit is, laat deze dan afkoelen alvorens verder te gaan met het apparaat. Als het werktuig nog steeds niet werkt, laadt u de accu opnieuw op.

**OPMERKING:** Het LED-controlelampje van het accupack zal niet werken als de accubeschermingseigenschap ervoor gezorgd heeft dat het accupack het werktuig niet langer aandrijft. Schakel het apparaat uit of verwijder de accu, zodat de led-indicator van de accuhouder zijn normale functie hervat.

### TELESCOPISCHE HENDEL

Het product is uitgerust met een telescopische hendel die kan worden aangepast voor opslag en gebruik. De telescopische hendel moet uitgeschoven worden tot positie of 2 als het product wordt voorbereid voor gebruik. Zorg ervoor dat de hendel wordt vastgezet met de hendelvergrendeling en de snelsluiting. Zorg ervoor dat de handgreep vergrendeld is bij opslag in verticale toestand.

### TWEE BATTERIJCOMPARTIMENTEN

Het product kan werken met één of twee batterijpakken. Twee batterijpakken geven een hogere stroom af, wat een hoger vermogen en een langere werktijd biedt.

## ALGEMENE MAAITIPS

De looptijd van de batterij hangt af van de toestand, lengte en dichtheid van het gras.

Stel de maaihoogte van de grasmaaimachine af om overeen te komen met de huidige toestand van het gazon dat moet worden gemaaid.

- Voor de beste resultaten maait u altijd een derde of minder van de totale hoogte van het gras
- Wanneer u lang gras maait, stapt u best trager om efficiënter maaien toe te laten en ervoor te zorgen dat het afval goed wegraakt.
- Een hogere maaihoogte zal de looptijd van de batterij verlengen.

## TRANSPORT EN OPSLAG

- Stop het product en verwijder de isolatorsleutel en de accu. Zorg ervoor dat alle bewegende delen volledig tot stilstand zijn gekomen. Laat het product afkoelen voordat u het opbergt of vervoert in een voertuig.
- Verwijder al het vreemde materiaal van het product. Bewaar op een koele, droge en goed geventileerde plaats die niet toegankelijk is voor kinderen. Houd het product weg van corrosieve producten, zoals tuinchemicaliën en ontdooiingszout. Sla het product niet buitenshuis op.
- Borg het apparaat bij transport in een voertuig tegen beweging of vallen om persoonlijk letsel, schade aan het apparaat, of verlies van brandstof te voorkomen en verwijder de isolatorsleutel.
- Wees uiterst voorzichtig bij het optillen of kantelen van het product voor onderhoud, reiniging, opslag of vervoer. Het maaiblاد is scherp. Houd alle lichaamsdelen weg van het maaiblاد terwijl het is blootgesteld.

## LITHIUMBATTERIJEN TRANSPORTEREN

De accu's dienen in overeenstemming met de plaatselijk en nationale regelgeving te worden getransporteerd.

Respecteer alle speciale voorwaarden op de verpakking en etikettering wanneer u de accu's door derden laat transporteren. Zorg ervoor dat de accu's tijdens het transport niet in contact komen met andere batterijen of geleidende

materialen door blootliggende connectoren met isolerende, niet-geleidende doppen of plakband te beschermen. Transporteer geen accues die lekken of gebarsten zijn. Overleg met het transportbedrijf voor verder advies.

## ONDERHOUD

- Gebruik uitsluitend originele vervangonderdelen, accessoires en voorzetstukken van de fabrikant. Als u dit niet doet, kan dit mogelijks letsels of slechte prestaties veroorzaken waardoor uw garantie kan vervallen.
- Het onderhoud vereist extreme voorzichtigheid en deskundigheid en mag enkel door een gekwalificeerde onderhoudstechnicus worden uitgevoerd. Het product mag uitsluitend door een erkend servicecentrum worden gerepareerd.
- Stop het product en verwijder de isolatersleutel en de accu. Zorg dat alle bewegende onderdelen volledig tot stilstand zijn gekomen voordat u schoonmaak- of onderhoudstaken uitvoert.
- Vervang versleten of beschadigde onderdelen om de veiligheid te bewaren.
- Controleer de grasvanger regelmatig op slijtage en sleet.
- Controleer regelmatig of alle moeren, bouten en vijzen goed zijn vastgemaakt om zeker te zijn dat het product veilig kan worden gebruikt.
- Wees voorzichtig wanneer u de machine afstelt om te voorkomen dat uw vingers tussen de bewegende en vaste delen van de machine geklemd raken.
- Wanneer u onderhoud aan de messen uitvoert, moet u erop letten dat hoewel de stroomvoorziening uitgeschakeld is, de messen nog altijd kunnen bewegen.
- U kunt de afstellingen en reparaties die in deze gebruiksaanwijzing worden vermeld, uitvoeren. Voor andere reparaties mag het product uitsluitend door een erkend servicecentrum worden gerepareerd.
- Maag na elk gebruik de kunststofonderdelen schoon met een zachte, droge doek. Een beschadigd onderdeel moet door een geautoriseerd onderhoudscentrum goed worden gerepareerd of vervangen.
- Het maaiblad op het product is scherp. Wees voorzichtig en draag zware handschoenen wanneer u de veiligheidsbout installeert, vervangt, reinigt of controleert.

- De mesbouten moeten stevig worden vastgedraaid. Zie de aanbevelingen van de fabrikant voor mesboutsorsie. Deze kan worden gevonden in de productspecificatietabel in deze handleiding.

## OBSTRUCTIE VERWIJDEREN

- Stop het product en verwijder de isolatersleutel en de accu. Zorg ervoor dat alle bewegende delen volledig tot stilstand zijn gekomen.
- Draag altijd zware veiligheidshandschoenen wanneer u een obstructie controleert en vrijmaakt. De bladen zijn scherp en de blokkage zelf kan een scherp voorwerp zijn.
- Verwijder de grasvanger. Controleer de grasvanger of er verstoppingen zijn en verwijder deze zorgvuldig.
- Controleer de grasafvoergoot op verstoppingen en verwijder deze zorgvuldig.
- Draai de machine op zijn kant. Controleer de onderkant en het bereik rond het snijblad. Verwijder zorgvuldig alle gevonden verstoppingen. Denk erom dat het mes tijdens het schoonmaken kan bewegen.

## KEN UW PRODUCT

Zie pagina 163.

1. Interfacebord
2. Startknop
3. Aan/uit-hendel
4. Telescopische hendel
5. Gebruiksaanwijzing
6. Vergrendelingshendel
7. Isolatorsleutel
8. Indicatielampje grasbak vol
9. Maaihoogetverstelhendel
10. Snelle ontgrendelingsbinder
11. Grasvanger
12. Accudeur
13. Achterwiel
14. Voorwiel
15. Mulchhulpstuk
16. Accu
17. Lader

## SYMBOLEN OP HET PRODUCT



Lees en begrijp alle aanwijzingen voordat u het product gebruikt. Volg alle waarschuwingen en veiligheidsinstructies.



Draag gehoorbescherming





Draag gezichtsbescherming



Gebruik de machine niet op hellingen steiler dan 15°. Maai dwars langs hellingen, nooit op en neer.



Stel niet bloot aan regen of vocht.



Pas op voor het scherpe maaiblad. Nadat de motor is uitgeschakeld blijven de messen nog even draaien. Verwijder de start sleutel alvorens onderhoudstaken uit te voeren.



Houd rekening met weggeslingerde of rondvliegende voorwerpen. Houd alle omstanders op tenminste 15 m afstand van de werkomgeving, vooral kinderen en huisdieren.



Aan



Stop



Elektrisch afval mag niet samen met ander huishoudafval worden weggegooid. Gelieve te recyclen indien de mogelijkheid bestaat. Neem contact op met uw lokaal bestuur of handelaar om advies te krijgen over recyclage.



CE-markering



Brits conformiteitskeurmerk



EurAsian-symbool van overeenstemming



Oekraïens conformiteitskeurmerk



Gegarandeerd geluidsniveau



Positie 1 op telescopische handgreep



Positie 2 op telescopische handgreep

## SYMBOLEN IN DEZE GEBRUIKSAANWIJZING



Onderdelen of accessoires afzonderlijk verkocht



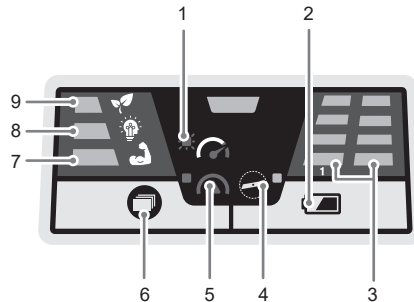
Opmerking



Waarschuwing

## INTERFACEBORD OVERZICHT

Het interfacebord geeft de status en toestand van het product weer.



1. Hoge belasting - geeft aan dat de belasting te hoog is voor de huidige instellingen en dat het product kan blokkeren. Ga over naar powermodus, verhoog de snijhoogte of verlaag de wandsnelheid.
2. Toets oplaadstatus accu - door hierop te drukken wordt het laadniveau van de accu aangegeven.
3. Indicator batterijniveau - geeft het niveau van de resterende lading in de batterijpakken aan.
  - Als slechts 1 led oplicht, is de batterijcapaciteit lager dan 25%.
  - Als 2 leds oplichten, is de batterijcapaciteit tussen 25% en 50%.
  - Als 3 leds oplichten, is de batterijcapaciteit tussen 50% en 75%.

- EN
- FR
- DE
- ES
- IT
- NL
- PT
- DA
- SV
- FI
- NO
- RU
- PL
- CS
- HU
- RO
- LV
- LT
- ET
- HR
- SL
- SK
- BG
- UK
- TR

- Als 4 leds oplichten, is het batterijpak volledig opgeladen. De accupackcapaciteit is tussen de 75%-100%.
4. Indicator mescontrole - geeft aan dat het mes moet worden gecontroleerd. Vervang het botte mes om het apparaat in goede werkende staat te houden.
  5. Overbelastingsindicator - geeft aan dat het product overbelast is en dat het mes mogelijk geblokkeerd is.
  6. Modusknop - door hierop te drukken wijzigt u de snijmodus van het product.
  7. Powermodus - geeft aan dat het mes aan hoge snelheid draait voor het snijden van zwaar gras.
  8. Smartmodus - geeft aan dat de maaier de messnelheid kan aanpassen afhankelijk van de belasting op het product voor algemeen snijden.
  9. Ecomodus - geeft aan dat het mes aan lage snelheid draait voor het snijden van dun gras.

Segurança, desempenho e fiabilidade foram as prioridades na concepção da seu corta-sebes sem fios.

### USO PREVISTO

O corta-relvas eléctrico recarregável destina-se a ser utilizado apenas ao ar livre.

Este produto foi concebido para o corte doméstico de relva. O corta-relvas de operação manual controlado por um operador, concebido para ser empurrado à mão.

O aparelho nunca deve ser operado sem as rodas estarem apoiadas no chão. O utilizador não deve puxá-lo nem sentar-se em cima dele.

Não a use para nenhuma outra finalidade.

### AVISOS GERAIS DE SEGURANÇA

- Guarde as instruções para usá-las no futuro.
- Utilize o produto apenas com os conjuntos de baterias especificados neste Manual. Ao utilizar um produto alimentado a bateria, as precauções básicas de segurança devem ser sempre seguidas com vista a reduzir o risco de incêndio, fuga de baterias e ferimentos pessoais.

### SEGURANÇA PESSOAL

- Nunca permita que crianças ou pessoas com capacidades físicas, sensoriais ou mentais reduzidas, ou pessoas não familiarizadas com estas instruções, operem, limpem ou realizem qualquer manutenção no aparelho. A legislação local pode restringir a idade do operador. As crianças devem ser mantidas sob vigilância adequada para se garantir que não brincam com o produto.
- Familiarize-se com os controlos e a utilização adequada do aparelho.
- Use calças compridas de tecido grosso, mangas compridas e calçado grosso antiderrapante. Não use calções e sandálias, nem ande descalço. Evite usar roupa larga ou com cordões ou laços.
- Utilize o aparelho na superfície de encostas, nunca para cima, nem para baixo. Tenha extrema cautela ao mudar de direcção nas inclinações. Mantenha-se bem apoiado e equilibrado. Ande e nunca corra.
- Não utilize o aparelho perto de declives, valas, zonas de inclinação excessiva ou aterros.
- Use sempre óculos de segurança.

- O produto tem capacidade para amputar mãos e pés, e para projectar objectos! Na eventualidade de não cumprir com todas as instruções de segurança, tal poderá causar graves lesões ou morte.
- Ao operar esta unidade, permaneça alerta, tenha em atenção ao que está a fazer e use o bom senso. Não opere este produto se estiver cansado ou sob a influência de drogas, álcool ou medicamentos. Uma falta de concentração durante o funcionamento do cortador pode resultar em lesão corporal grave.

### AMBIENTE DE TRABALHO

- Devido ao perigo de projecção de objetos que possam entrar em contacto com a lâmina, evite utilizar o produto a menos de 15 m de distância de outras pessoas, especialmente crianças ou animais.
- Utilize o aparelho apenas com luz diurna ou com uma boa luz artificial.
- Não trabalhe com o cortador em relva molhada ou sob chuva.
- Mantenha em mente que o operador ou o utilizador é responsável pelos acidentes ou perigos que ocorrem a outras pessoas ou à sua propriedade.
- Os objectos atirados pela lâmina do corta-relva podem causar graves lesões às pessoas. Inspeccione cuidadosamente a área onde o cortador vai ser utilizado e retire todas as rochas, paus, metais, fios, ossos, brinquedos ou outros objectos estranhos. Lembre-se, o fio ou o cabo podem emaranhar-se com as lâminas.
- Não opere a máquina em atmosferas explosivas, tais como na presença de líquidos inflamáveis, gases ou poeira. A ferramenta pode criar fagulhas que podem incendiar o pó ou os gases.
- Não utilize o aparelho quando houver risco de relâmpago.
- Podem ocorrer acidentes trágicos caso o operador não esteja alerta em relação à presença de crianças. As crianças sentem-se frequentemente atraídas pela máquina e pela actividade de cortar relva. Nunca assuma que as crianças vão permanecer onde as viu por último.
- Tenha especial cuidado quando se aproximar de esquinas sem visibilidade, arbustos, árvores ou outros objectos (incluindo ramadas pendentes de arbustos) que possam bloquear a sua visão.

## UTILIZAÇÃO E MANUTENÇÃO DA BATERIA

- Leia, compreenda e siga sempre as instruções de segurança que são fornecidas com a sua bateria e carregador. A não observância pode resultar em choque eléctrico, incêndio ou outras situações de perigo. Guarde todas as instruções juntas num local seguro para futuras consultas.
- As unidades operadas com bateria não têm que estar ligadas a uma tomada eléctrica, por conseguinte, estarão sempre em estado de funcionamento. Tire a chave comutadora quando não utilizar o produto.
- Extraia a bateria antes de fazer qualquer ajuste, limpeza ou de tirar material da unidade.
- Certifique-se que a chave de isolamento foi retirada antes de inserir a bateria.
- A bateria apenas deve ser carregada apenas com o carregador especificado pelo fabricante. O uso de um carregador com um pacote de baterias incompatíveis pode criar um risco de incêndio. Use a bateria apenas com o carregador indicado.
- Utilize apenas a bateria concebida especificamente para a máquina. O uso de qualquer outra bateria pode resultar num risco de incêndio, choque eléctrico ou danos corporais.
- Quando a bateria não estiver a ser utilizada, mantenha-a afastada de outros objectos metálicos como cliques de papel, moedas, chaves, pregos, parafusos, ou outros pequenos objectos metálicos que podem fazer a ligação de um terminal para outro. Curto circuitar os terminais da bateria pode provocar faíscas, queimaduras, incêndios e explosões.
- Não coloque aparelhos com bateria ou as respectivas baterias perto de fogo ou fontes de calor. Tal aumenta o risco de explosão e de lesões.
- Não abra nem danifique a bateria. O electrólito libertado é corrosivo e pode causar danos nos olhos ou na pele. Pode ser tóxico no caso de ingestão.
- Proteja a bateria contra a humidade e a água. Não carregue a unidade em lugares húmidos ou molhados. O cumprimento desta regra irá reduzir o risco de choque eléctrico.

- Em caso de danos e uso inadequado da bateria, poderia emitir-se vapor. Proporcione ar fresco e vá a um médico em caso de queixas. O vapor pode irritar o sistema respiratório.
- Não deixe a bateria dentro de um veículo em condições de frio ou calor.
- Não queime a bateria.
- Sob circunstâncias abusivas, o líquido pode ser ejectado da bateria, evite o contacto. Se o contacto ocorrer acidentalmente, limpe com água abundante. Se o líquido entrar em contacto com os olhos, procure adicionalmente assistência médica. O líquido ejectado da bateria pode causar irritação ou queimaduras.

## AVISOS DE SEGURANÇA DO CORTADOR DE RELVA

- Antes de utilizar, inspecione o produto visualmente para garantir que as lâminas, parafusos das lâminas e unidade do cortador não estão gastos ou danificados. Substitua lâminas e parafusos desgastados em conjunto de modo a preservar o equilíbrio.
- Leve o produto a um centro de serviço autorizado para substituir as etiquetas danificadas ou ilegíveis.
- Não puxe o aparelho para trás a menos que seja absolutamente necessário. Se tiver de afastar o cortador de um muro ou obstrução, olhe primeiro para baixo e atrás para evitar de tropeçar ou puxar o cortador para os seus pés.
- Desligue o produto e permita que a lâmina pare se o produto tiver de ser inclinado para o transporte ao atravessar superfícies que não sejam de relva e ao transportar o produto de e para a área de trabalho.
- Nunca utilize o produto com proteções ou filtros defeituosos ou sem os dispositivos de segurança, tais como, defletores e coletores de detritos instalados.
- Não incline o produto ao ligar o motor ou quando o motor estiver em funcionamento. Se for absolutamente necessário para facilitar o arranque, pode subir a frente do corta-relvas, mas não mais do que 5 cm. Para isso, faça força no guiador e empurre-o para baixo. Antes de começar a cortar, volte sempre a pôr o corta-relvas na posição normal, com todas as rodas no

- chão. Incliná-lo expõe a lâmina e aumenta a probabilidade de projeção de objetos e de contacto acidental com a lâmina.
- Não ponha o produto a trabalhar quando estiver posicionado à frente da abertura de descarga da relva.
  - O produto deve ser ligado com o utilizador situado atrás do guiador, na zona de segurança do operário. Nunca ligue o produto se:
    - a calha de descarga de aparas está exposta e não está protegida pela caixa de aparas e pela tampa da calha de descarga de aparas
    - se houver pés ou mãos na zona de corte
  - Ligue o produto cuidadosamente, de acordo com as instruções, e mantenha as mãos e os pés afastados das lâminas. Não coloque as mãos ou os pés próximo das peças rotativas. Mantenha sempre a abertura de descarga desobstruída.
  - Nunca levante nem transporte o aparelho com o motor em funcionamento.
  - Desligue o produto, desmonte a chave isoladora e desmonte o conjunto de baterias. Certifique-se de que todas as peças em movimento param completamente:
    - Sempre que deixe o produto sem vigilância (inclusive enquanto tira os restos de erva).
    - antes de desobstruir bloqueios ou desentupir a calha de descarga
    - antes de verificar, limpar ou funcionar com o produto
    - antes de desmontar coletor de relva ou abrir a tampa da calha de descarga de relva
    - após atingir um objeto estranho; inspecione o aparelho para verificar se fez danos e fazer reparações, se necessário, antes de reiniciar e operar a máquina.
    - se o produto começar a vibrar de forma anormal (verifique imediatamente)
      - Quando realizar uma inspeção de danos, em particular nas lâminas.
      - substitua ou repare qualquer peça danificada
      - verifique e aperte as peças soltas
  - A lâmina deve girar aproximadamente paralela ao solo sobre o qual está a girar.
  - Este aparelho contém uma lâmina afiada. Tenha cuidado e use luvas pesadas ao encaixar, substituir, limpar ou verificar o parafuso de segurança.
  - Nunca utilize o produto se o interruptor de ligar/desligar situado no guiador não ligar e desligar o produto de forma correta.
  - Nunca tente bloquear os interruptores on/off (ligar/desligar) na posição ON; isto é extremamente perigoso.
  - Não force o produto. Realizará um trabalho melhor e mais seguro à velocidade para a qual foi concebida.
  - Pare a lâmina quando passar por superfícies com gralhas.
  - Evite furos, raízes, solavancos, pedras ou outros objectos escondidos. Um terreno desnivelado pode fazer com que escorregue e caia.
  - Verifique sempre se o cabo de controlo de motor nunca fica preso, amassado ou danificado durante a montagem ou ao dobrar a pega.
  - O uso prolongado de uma ferramenta pode causar o agravar lesões. Sempre que utilizar o produto durante períodos de tempo prolongados, certifique-se de que faz intervalos regulares.

#### AVISOS DE SEGURANÇA ADICIONAIS DAS BATERIAS

- Para evitar o risco de incêndio, de feridas ou de danificação do produto causado por um curto-circuito, não imerja a bateria intercambiável ou o carregador em líquidos e assegure-se de que líquidos não penetrem nos aparelhos ou nas baterias. Líquidos corrosivos ou condutivos como água salgada, determinadas substâncias químicas ou produtos que contenham branqueadores podem causar um curto-circuito.
- Não descarte os conjuntos de baterias usados juntamente com o lixo doméstico. Têm de ser recolhidos separadamente e enviados para um centro de reciclagem ecológica. Para mais informações sobre pontos de recolha para reciclagem, contacte as suas autoridades locais ou o seu revendedor.

## CARACTERÍSTICAS DO PRODUTO

### SOBRECARGA E PROTEÇÃO CONTRA SUPERAQUECIMENTO

O produto tem um dispositivo de protecção contra sobrecarga. Quando é detectada uma sobrecarga, o produto desliga-se automaticamente. Se o protetor de sobrecarga for acionado, tem de libertar o manípulo para ligar/desligar. Prima o botão para iniciar e, em seguida, aperte a alavanca para ligar/desligar (A/B) para iniciar o produto. Se o produto mesmo assim não ligar, reinstalei a unidade da bateria.

A bateria tem protecção de sobreaquecimento. Uma temperatura excessiva fará com que a bateria deixe de alimentar a ferramenta. Se o conjunto de baterias estiver demasiado quente ao toque, deixe-o arrefecer antes de retomar a utilização. Se a ferramenta continuar sem funcionar, recarregue a bateria.

**NOTA:** O indicador LED da bateria não funcionará se a função de protecção da bateria provocar que a bateria deixe de alimentar a ferramenta e que esta pare. Desligue o produto ou retire o conjunto da bateria do produto para que o LED da bateria retome o funcionamento normal.

### PEGA TELESCÓPICA

O produto está equipado com uma pega telescópica que pode ser ajustada para armazenamento e para utilização. Quando configurar o produto para utilização, a pega telescópica tem de ser estendida para a posição 1 ou 2. Certifique-se de que a pega está fixa pelo dispositivo de bloqueio e pelo fixador de libertação rápida. Certifique-se de que a pega está travada durante o armazenamento na vertical.

### DUAS RANHURAS PARA BATERIAS

O produto pode funcionar com uma ou duas unidades de bateria. Duas unidades de bateria fornecem um nível de corrente superior, fornecem mais potência e prolongam o tempo de utilização.

### CONSELHOS GERIAIS PARA CORTAR A RELVA

O tempo operacional da bateria varia de acordo com a condição, comprimento e densidade da relva.

Ajuste de altura de corte do cortador de relva para se adequar à atual condição do relvado a ser cortado.

- Para um melhor desempenho, corte sempre um terço ou menos da altura total da relva.
- Ao cortar relva longa, reduza a velocidade de passo para permitir um corte mais eficaz e uma descarga apropriada das aparas.
- Uma maior altura de corte irá aumentar o tempo operacional da bateria.

### TRANSPORTE E ARMAZENAMENTO

- Desligue o produto, desmonte a chave isoladora e desmonte o conjunto de baterias. Certifique-se de que todas as peças em movimento pararam completamente. Permita que o produto arrefeça antes de guardar ou transportar num veículo.
- Limpe todos os materiais estranhos do produto. Guarde-o num local fresco e seco e bem ventilado a que as crianças não consigam aceder. Mantenha o produto afastado de agentes corrosivos tais como produtos químicos de jardim e sais de remoção de gelo. Não guarde o produto em espaços exteriores.
- Para transportar num veículo, desmonte a chave isoladora e acondicione o produto de forma segura, contra movimentos ou quedas, para impedir ferimentos pessoais ou danos ao produto.
- Exerça extrema cautela ao levantar ou inclinar o produto para realizar operações de manutenção, limpeza, armazenamento ou transporte. A lâmina é afiada. Mantenha todas as partes do corpo afastadas da lâmina enquanto a lâmina se encontrar exposta.

### TRANSPORTE DE BATERIAS DE LÍTIU

Transporte as baterias em conformidade com as disposições e regulamentos locais e nacionais.

Siga todos os requisitos especiais na embalagem e rótulos ao transportar baterias por um terceiro. Certifique-se de que nenhuma bateria pode entrar em contato com outras baterias ou materiais condutores durante o transporte protegendo os conectores expostos com tampas ou fita isoladora e não condutora. Não transporte baterias que estejam rachadas ou com fugas. Confirme com a empresa de envio para mais conselhos.

## MANUTENÇÃO

- Utilize apenas peças de substituição, acessórios e encaixes do fabricante original. A inobservância desta indicação pode causar um fraco desempenho, possíveis lesões e poderá anular a sua garantia.
- Os serviços de manutenção requerem extremo cuidado e conhecimentos e devem apenas ser realizado por um técnico de assistência qualificado. Repare o seu produto exclusivamente num centro de assistência autorizado.
- Desligue o produto, desmonte a chave isoladora e desmonte o conjunto de baterias. Antes de fazer quaisquer trabalhos de limpeza ou de manutenção, certifique-se de que todas as peças móveis pararam completamente.
- Substitua as peças desgastadas ou danificadas por razões de segurança.
- Verifique o colector de erva frequentemente para ver se existe desgaste ou deterioração.
- Verifique todas as porcas, pregos e parafusos com intervalos frequentes para confirmar a tensão apropriada e se certificar que o produto está em condições seguras de funcionamento.
- Tenha cuidado quando estiver a ajustar a máquina de forma a evitar que os seus dedos fiquem presos entre as lâminas em movimento e as peças fixas da máquina.
- Ao efetuar a revisão da lâminas, note que embora a alimentação elétrica esteja desligada, as lâminas podem mover-se.
- Pode realizar os ajustes e reparações descritos neste manual do utilizador. Para outras reparações, entregue o seu produto exclusivamente a um centro de assistência autorizado.
- Após cada utilização, limpe as peças de plástico com um pano macio e seco. Qualquer peça danificada deve ser substituída ou reparada adequadamente por um centro de serviço autorizado.
- Este aparelho contém uma lâmina afiada. Tenha cuidado e use luvas pesadas ao encaixar, substituir, limpar ou verificar o parafuso de segurança.
- Os parafusos da lâmina têm obrigatoriamente de estar correctamente apertados. Consulte a tabela de Características Técnicas deste Manual e

siga as recomendações do fabricante para a força de aperto (binário) dos parafusos da lâmina.

## ELIMINAR UMA OBSTRUÇÃO

- Desligue o produto, desmonte a chave isoladora e desmonte o conjunto de baterias. Certifique-se de que todas as peças em movimento pararam completamente.
- Use sempre luvas pesadas de proteção ao verificar e eliminar uma obstrução. As lâminas são afiadas e o bloqueio pode ser um objecto cortante.
- Tire o colector de aparas. Inspeccione e retire cuidadosamente os bloqueios do coletor de relva.
- Inpeccione a calha de descarga de aparas, procurando obstruções e, cuidadosamente, retire quaisquer obstruções.
- Coloque o produto de lado. Verifique a parte inferior e a área em torno da lâmina. Retire cuidadosamente quaisquer bloqueios encontrados. Não se esqueça de que a lâmina pode mover-se durante a limpeza.

## CONHEÇA O SER APARELHO

Ver a página 163.

1. Painel de interface
2. Botão de início
3. Manípulo de ligado/desligado
4. Pega telescópica
5. Manual do operador
6. Manípulo de bloqueio do punho
7. Chave de isolamento
8. Indicador de caixa de recolha cheia
9. Alavanca de ajuste da altura de corte
10. Fixador de libertação rápida
11. Coletor de relva
12. Porta da bateria
13. Roda traseira
14. Roda frontal
15. Tomada de "mulching"
16. Bateria
17. Carregador

## SÍMBOLOS NO PRODUTO



Antes de utilizar este produto, leia e compreenda todas as instruções neste Manual. Siga todos os avisos e todas as instruções de segurança.



Use protecção para os ouvidos



Usar protecção para os olhos



Não utilize o produto em inclinações com um gradiente superior a 15°. Corte a relva transversalmente nas inclinações, nunca para cima e para baixo.



Não o exponha à chuva ou a condições de humidade.



Cuidado com lâminas afiadas. As lâminas continuam a rodar depois de desligar o motor. Retire a chave do isolador antes de proceder a tarefas de manutenção.



Tenha cuidado com os objectos voláteis ou lançados. Mantenha todos os transeuntes, em especial as crianças e os animais de estimação, a uma distância mínima de 15 m da área de utilização.



Arrancar



Parar



Os aparelhos eléctricos antigos não devem ser eliminados juntamente com o lixo doméstico. Recicle onde existem instalações para o efeito. Verifique com as suas Autoridades Locais ou revendedor para obter informações sobre reciclagem.



Marca europeia de conformidade



Marca britânica de conformidade



Marca de conformidade EurAsian



Marca ucraniana de conformidade



Nível de potência sonora garantido



Posição 1 na pega telescópica



Posição 2 na pega telescópica

## SÍMBOLOS NESTE MANUAL



As peças ou acessórios vendem-se separadamente



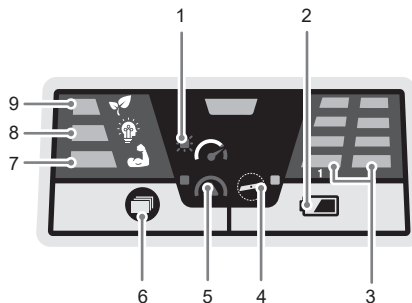
Nota



Aviso

## PERSPETIVA GERAL DO PAINEL DE INTERFACE

O painel de interface mostra o estado e as condições do produto.



1. Carga elevada - indica que a carga é demasiado elevada para a definição atual e o produto poderá parar. Mude para o modo de potência, aumente a altura de corte ou reduza a velocidade de caminhada.
2. Botão de estado do carregamento da bateria - ao premir, ativa o indicador do nível da bateria.
3. Indicador do nível de bateria - indica o nível de carga restante nas unidades de bateria.
  - Se se acender apenas um LED, a capacidade da bateria é inferior a 25%.
  - Se se acenderem dois LED, a capacidade da bateria situa-se entre os 25% e os 50%.



- Se se acenderem três LED, a capacidade da bateria situa-se entre os 50% e os 75%.
  - Se se acenderem quatro LED, a unidade da bateria está totalmente carregada. A capacidade da bateria estará entre 75%-100%.
4. Indicador de verificação da lâmina - indica que a lâmina tem de ser verificada. Substitua a lâmina romba para manter o produto em boas condições de funcionamento.
  5. Indicador de sobrecarga - indica que o produto está em sobrecarga e a lâmina pode estar presa.
  6. Botão de modo - ao premir, muda o modo de corte do produto.
  7. Modo de potência - indica que a lâmina se encontra a funcionar a alta velocidade para o corte de relva grossa.
  8. Modo inteligente - indica que o corta-relvas pode regular a velocidade da lâmina, dependendo da carga no produto para o corte geral.
  9. Modo Eco - indica que a lâmina se encontra a funcionar a baixa velocidade para o corte de relva fina.

Sikkerhed, ydelse og driftssikkerhed har fået topprioritet i designet af din ledningsfri hækklipper.

### TILTÆNKT ANVENDELSESFORMÅL

Den ledningsfri græsslåmaskine er kun beregnet til udendørsbrug.

Dette produkt er beregnet til klipning af private plæner. Produktet er en fodgængerstyret plæneklipper, der er designet til at man går bag det og skubber det for hånd.

Produktet må aldrig benyttes, hvis hjulene ikke hviler på jorden. Træk ikke græsslåmaskinen baglæns og kør/sid ikke på den.

Må ikke bruges til andre formål.

### GENERELLE SIKKERHEDSADVARSLER

- Disse sikkerhedsregler skal opbevares med henblik på senere brug.
- Brug kun produktet med de batterier, der er anført i denne vejledning. Når du bruger et batteridrevet produkt, skal du altid følge de grundlæggende sikkerhedsforanstaltninger for at reducere risikoen for brand, utætte batterier og personskaade.

### PERSONLIG SIKKERHED

- Lad aldrig børn eller personer med begrænsede fysiske, sensoriske eller mentale evner eller personer, som ikke er bekendt med denne brugsanvisning, benytte, rengøre eller vedligeholde produktet. Lokale love kan have indflydelse på den tilladte brugerage. Børn bør holdes under tilstrækkeligt opsyn, så man er sikker på, at de ikke leger med produktet.
- Sørg for at blive fortrolig med betjeningselementerne samt den korrekte brug af produktet.
- Bær kraftige, lange bukser, trøje med lange ærme, robust og skridsikkert fodtøj. Bær ikke korte bukser, sandaler, og gå ikke barfodet. Undgå at bære løstsiddende tøj eller frit hængende snører eller slips.
- Kørsel på tværs af skrånninger, aldrig op og ned. Udvis stor forsigtighed når græsslåmaskinen vendes på bakker. Hold et godt fodfæste og balance. Gå, løb aldrig.
- Undgå at bruge produktet nær skrænter, grøfter, meget stejle skånninger eller diger.

- Bær altid sikkerhedsbriller.
- Produktet er i stand til at amputere hænder og fødder og kaste genstande ud. Manglende overholdelse af samtlige sikkerhedsinstrukser kan have alvorlige skader, eller i værste fald døden, til følge.
- Når man bruger produktet, skal man være agtpågivende, iagttage hvad man gør og bruge sund fornuft. Undlad at bruge dette produkt, hvis du er træt, syg eller påvirket af alkohol, narkotika eller medikamenter. Et kort koncentrationssvigt, mens man betjener maskinen, kan medføre alvorlige personskaade.

### ARBEJDSOMGIVELSER

- Undlad at bruge produktet, mens mennesker, især børn, eller kæledyr opholder sig inden for 15 meter, da der er fare for, at genstande kan blive udslyngt ved kontakt med kniven.
- Brug produktet i dagslys eller god kunstig belysning.
- Brug ikke maskinen på fugtige, våde steder eller i regnvej.
- Husk, at brugeren selv er ansvarlig for ulykker eller farer, som andre personer bliver udsat for.
- Genstande som sætter sig fast i græsslåmaskinens skæreblade kan føre til alvorlige skader. Inspicér omhyggeligt det område, hvor maskinen skal anvendes, og fjern alle sten, pinde, metaldele, ledninger, ben, legetøj eller andre fremmedlegemer. Husk på, at tråd eller snor kan blive filtreret ind i klippeudstyret.
- Brug ikke maskinen i eksplosive omgivelser som fx i nærheden af brandbar væske, gas eller støv. Værktøjet kan udløse gnister, som kan antænde støvet eller dampene.
- Produktet må ikke benyttes, hvis der er fare for tordenvej.
- Tragiske yheld kan forekomme hvis brugeren ikke er klar over tilstedeværelsen af børn. Børn tiltrækkes ofte af græsslåmaskinen og dens udførte arbejde. Tag det aldrig for givet, at børn bliver stående det sted du sidst så dem.
- Vær ekstra forsigtig, når du nærmer dig blinde hjørner, buske, træer og andre ting, herunder overhængende buske, der kan blokere dit udsyn.



## BRUG OG PLEJE AF BATTERIVÆRKTØJ

- Læs, forstå og følg altid de sikkerhedsinstrukser, der fulgte med batteri og oplader. Manglende overholdelse kan resultere i elektrisk stød, brand eller andre farlige situationer. Opbevar alle brugsanvisninger samlet på et sikkert sted for fremtidig brug.
- Batteridrevne produkter skal ikke nødvendigvis forbindes til en stikkontakt; de er således altid klar til brug. Fjern afbrydernøglen, når du ikke bruger produktet.
- Inden man foretager justeringer, rengøring eller fjerner materiale fra produktet, skal batteriet udtages.
- Kontrollér, at sikkerhedsnøglen er fjernet, inden batteriet isættes.
- Opladning af batteriet må kun ske med den af producenten foreskrevne oplader. Brug af en oplader med et ukompatibelt batteri kan medføre brandfare. Brug kun batteriet sammen med den foreskrevne oplader.
- Brug kun det batteri, der specifikt er beregnet til maskinen. Brug af andre batterier kan medføre fare for brand, elektrisk stød eller personskader.
- Når batteriet ikke bruges, må det ikke opbevares sammen med metalgenstande som fx papirclips, mønter, nøgler, søm, skruer eller andre metalgenstande, som kan skabe forbindelse mellem batteriets poler. Hvis batteriets poler kortsluttes, kan de forårsage gnister, forbrændinger, brand eller eksplosion.
- Batteriprodukter eller de tilhørende batterier må ikke anbringes nær ild eller varme. Herved øges faren for eksplosion og evt. personskader.
- Batteriet må ikke åbnes eller mishandles. Udløbende batterisyre er korrosiv og kan forårsage skader på øjne og hud. Den kan være toksisk ved indtagelse.
- Beskyt batteriet mod fugt og vand. Produktet må ikke oplades i fugtige eller våde omgivelser. Overholdelse af denne regel vil reducere risikoen for elektrisk stød.
- I tilfælde af skade og forkert brug af batteriet kan der udledes dampe. Sørg for frisk luft, og kontakt en læge, hvis der konstateres gener. Dampen kan irritere åndedrætssystemet.

- Batteripakken må ikke blive siddende i køretøjet under varme eller kolde forhold.
- Batteriet må ikke afbrændes.
- Hvis batteriet misbruges, kan der sprøjte væske ud af det; undgå kontakt med batterivæsken. Ved kontakt med batterivæsken skylles der med vand. Hvis der kommer væske i øjnene, kontaktes læge straks. Udsprøjtet batterivæske kan forårsage irritation eller forbrændinger.

## SIKKERHEDSADVARSLER VEDR. PLÆNEKLIPPERE

- Inden brug skal du altid inspicere produktet visuelt for at sikre dig, at klingerne, klingemøtrikkerne og skæreenheden ikke er slidt eller beskadiget. Udskift altid slidte eller beskadigede knive og skruer sætvis, så balancen opretholdes.
- Indlevér produktet hos et autoriseret servicecenter for at få udskiftet beskadigede eller ulæselige mærkater.
- Undgå at trække produktet baglæns, med mindre dette er absolut nødvendigt. Hvis maskinen skal bakkes bort fra en væg eller forhindring, skal man først se ned og bagud, så man ikke risikerer at snuble eller trække maskinen hen over fødderne.
- Sluk for produktet, og lad bladet stoppe, hvis produktet skal vippes under transport, når man krydser andre overflader end græs, og når man transporterer produktet til og fra arbejdsområdet.
- Brug aldrig produktet med defekte afskærmninger eller uden sikkerhedsanordninger såsom deflektorer og/eller græssamlere på plads.
- Lad være med at vippe produktet ved tænding af motor, eller mens motoren kører. Hvis det er absolut nødvendigt, kan du løfte forenden af græsslåmaskinen maks. 5 cm for at gøre det nemmere at starte den. Tryk håndtaget ned for at gøre dette. Sæt altid græsslåmaskinen tilbage til dens normale position med alle hjul på jorden, før du begynder at slå græsset. Ved at vippe græsslåmaskinen blottlægges klippekniven, hvilket øger sandsynligheden for udslyngning af objekter og utilsigtet få kontakt med klippekniven.
- Start ikke produktet, når du står foran græsudledningsåbningen.



- Produktet skal startes med brugeren placeret bag styrene i operatørens sikkerhedszone. Produktet må aldrig startes, hvis:
  - Græsudkastet er åbent og ikke beskyttet af græskassen og afskærmningen til græsudkasterafskærmningen
  - Alle de tilstedeværendes hænder og fødder ikke er fri af klippebeklædningen.
- Tænd forsigtigt for produktet i henhold til anvisningerne, og hold hænder og fødder væk fra klingerne. Anbring aldrig hænder eller fødder i nærheden af eller under roterende dele. Hold også altid væk fra udtømningsområdet.
- Løft eller bær aldrig produktet med kørende motor.
- Stop produktet, fjern sikkerhedsnøglen og batteriet. Kontrollér, at alle bevægelige dele er standset fuldstændigt:
  - når man efterlader produktet uden opsyn (herunder ved bortskaffelse af græsafklip).
  - før du fjerner blokerede genstande eller renser græsudkastet
  - inden kontrol, rengøring eller arbejde på produktet
  - før du aftager græssamlere eller åbner græskasterafskærmningen
  - efter at man har ramt et fremmedlegeme; inspicér udstyret for skader, og foretag de nødvendige reparationer inden genstart og benyttelse af maskinen.
  - hvis produktet begynder at vibrere unormalt (kontrolleres omgående)
    - eftersyn for skader, især knivene
    - udskift eller reparér alle beskadigede dele
    - kontrollér og efterspænd evt. løse dele
- Klippekniven bør rotere omtrent parallelt med den jordoverflade, den køres hen over.
- Kniven på produktet er skarp. Vær forsigtig, og benyt kraftige handsker, når du monterer, udskifter, rengør eller kontrollerer boltsikkerheden.
- Produktet må aldrig benyttes, hvis Tænd/Sluk-kontakten på styret ikke formår at starte og stoppe produktet korrekt.
- Forsøg aldrig at låse Tænd/Sluk-kontakter (ON/OFF) i pos. ON (=tændt; dette er yderst farligt.
- Undlad at tvinge produktet. Produktet klarer opgaven bedre og sikrere med den hastighed, det er beregnet til.
- Stop kniven under passage af grusarealer.
- Undgå huller, riller, buler, sten eller lignende. Ujævnt terræn kan føre til tab af balance og faldulykker.
- Sørg altid for, at motorstyrekalet aldrig sætter sig fast, klemmes eller beskadiges på anden måde under montering eller nedklapning af håndtaget.
- Længere tids brug af et værktøj kan forårsage - eller forværre - personskader. Når du bruger produktet i længere perioder, skal du sørge for at tage regelmæssige pauser.

### YDERLIGERE SIKKERHEDSADVARSLER OM BATTERI

- For at undgå risiko for brand, kvæstelser eller beskadigelse af produktet forårsaget af kortslutning må værktøjet, batteripakken eller opladeren ikke nedsænkes i vand. Sørg ligeledes for, at der ikke trænger væske ind i enhederne og batterierne. Korroderende eller ledende væsker, f.eks. saltvand, bestemte kemikalier, blegestoffer eller produkter, som indeholder blegemidler, kan forårsage kortslutning.
- Smid ikke batteripakker ud sammen med husholdningsaffald. De skal indsamles separat og returneres til den rette genbrugsfacilitet. Forhør dig hos de lokale myndigheder eller forhandler for genbrugsråd og indsamlings steder.

### PRODUKTFUNKTIONER

#### OVERBELASTNING OG OVEROPHEDNING BESKYTTELSE

Produktet har en overbelastningsbeskyttelse. Når der registreres en overbelastning, vil produktet automatisk slukke. Hvis overbelastningsbeskyttelsen aktiveres, skal tænd/sluk-håndtaget slippes. Tryk på startknappen, og pres derefter tænd/sluk-håndtaget for at genstarte produktet. Hvis produktet stadig ikke tændes, skal du geninstallere batteripakken.

Batteripakken har overophedningsbeskyttelse. For høje temperaturer vil bevirke, at batteriet afbryder strømforsyningen til værktøjet. Hvis batteriet er for varmt, skal du lade det køle af,

før arbejdet påbegyndes igen. Hvis værktøjet stadig ikke vil starte, skal batteriet genoplades.

**BEMÆRK:** Batteriets indikator-LED virker ikke, hvis batteribeskyttelsesfunktionen har fået batteriet til at afbryde strømforsyningen til værktøjet. Sluk for produktet eller aftag batteriet fra produktet, og batteriets LED-indikator vil fortsætte normal funktion.

## TELESKOPHÅNDTAG

Produktet har et teleskophåndtag, der kan justeres til opbevaring og brug af græsslåmaskinen. Teleskophåndtaget skal trækkes ud til position 1 eller 2, når produktet skal anvendes. Sørg for, at håndtaget er sikret med håndtagets låsegreb og Hurtigudløsningsklemmen. Sørg for, at håndtaget er låst ved lodret opbevaring.

## TO BATTERIPLADSER

Produktet kan fungere med en eller to batteripakker. To batteripakker leverer mere strøm, giver større effekt og forlænger driftstiden.

## GENERELLE TIPS TIL PLÆNEKLIPNING

Batteriets driftstid afhænger af de aktuelle forhold samt græssets længde og tæthed.

Indstil plæneklipperens klippehøjde, så denne svarer til de aktuelle forhold for den plæne, der skal klippes.

- For bedste ydelse bør man altid klippe en tredjedel eller mindre af græssets totale højde.
- Når langt græs klippes, så gå langsommere frem med græsslåmaskinen, så græsset kan klippes mere effektivt.
- En højere klippehøjde vil forlænge batteriets driftstid.

## TRANSPORT OG OPBEVARING

- Stop produktet, fjern sikkerhedsnøglen og batteriet. Kontrollér, at alle bevægelige dele er standset fuldstændigt. Lad produktet køle af inden opbevaring eller transport i et køretøj.
- Afrens alle fremmedlegemer fra produktet. Opbevar den på et køligt, tørt og godt ventileret sted utilgængeligt for børn. Sørg for, at produktet ikke kommer i nærheden af korrosive stoffer såsom havekemikalier og strøsalt. Opbevar ikke produktet udendørs

- Fjern sikkerhedsnøglen, og fastgør produktet under transport i et køretøj, så det ikke kan bevæge sig eller vælte/falde for at forhindre personskader og beskadigelse af produktet.
- Udvis yderst forsigtighed, når du løfter eller vipper produktet under vedligeholdelse, rengøring, opbevaring eller transport. Klinge er skarp. Hold alle kroppsdele på afstand af klingerne, når denne er blottet.

## TRANSPORT AF LITHIUM-BATTERIER

Batterier skal transporteres i henhold til lokale og nationale forskrifter og love.

Når batterier skal transporteres af tredjepart, skal alle specielle krav til emballering og mærkning overholdes. Man skal sikre sig, at ingen batterier under transporten kan komme i kontakt med andre batterier eller ledende materialer ved at beskytte blottede konnektorer med isolerende, ikke-ledende hætter eller tape. Undlad at transportere batterier med revner eller utætheder. Rådfør dig desuden med speditøren.

## VEDLIGEHOLDELSE

- Brug kun originale reservedele, ekstraudstyr og tilbehør fra producenten. I modsat fald er der fare for personskader, dårlig maskinydelse og annullering af garantien.
- Vedligeholdelse kræver stor omhyggelighed og viden og bør kun udføres af en kvalificeret tekniker. Lad kun et autoriseret serviceværksted servicere produktet.
- Stop produktet, fjern sikkerhedsnøglen og batteriet. Sørg for, at alle bevægelige dele er fuldstændigt stoppet, før du rengør eller vedligeholder græsslåmaskinen.
- Af sikkerhedshensyn skal slidte eller beskadigede dele udskiftes.
- Tjek ofte græsbeholderen for slitage.
- Tjek ofte alle møtrikker, bolte og skruer om de sidder godt fast, og sørg for at produktet fungerer ordentligt.
- Vær forsigtig ved justering af maskinen, så du ikke får fingrene i klemme mellem bevægelige knive og faste maskindele.
- Under servicering af klingerne skal du være opmærksom på, at klingerne stadig kan bevæge sig, selvom der er slukket for strømmen

- Du kan lave justeringer og reparationer beskrevet i denne brugervejledning. Lad kun et autoriseret servicecenter servicere og reparere produktet.
- Rengør plastikdelene med en blød, tør klud efter hver brug. Enhver del, som bliver beskadiget, skal repareres korrekt eller udskiftes hos et autoriseret servicecenter.
- Kniven på produktet er skarp. Vær forsigtig, og benyt kraftige handsker, når du monterer, udskifter, rengør eller kontrollerer boltsikkerheden.
- Knivboltene skal være tilstrækkeligt spændt. Se producentens anbefalinger for knivboltens moment, som findes i tabellen over produktspecifikationer i denne vejledning

### AFHJÆLPNING AF TILSTOPNING

- Stop produktet, fjern sikkerhedsnøglen og batteriet. Kontrollér, at alle bevægelige dele er standset fuldstændigt.
- Benyt altid kraftige beskyttelseshandsker, når du kontrollerer og afhjælper en tilstopning. Klingerne er skarpe, og selve tilstopningen kan være en skarp genstand.
- Fjern græsopsamlere. Kontrollér og fjern forsigtigt genstande, som sidder fast i græssamlere.
- Kontrollér, om græsudkasterafskærmningen er tilstoppet, og fjern forsigtigt tilstopningen.
- Vend produktet om på siden. Kontrollér undersiden og området rundt om klippekniven. Fjern forsigtigt alle tilstopninger. Husk, at kniven kan bevæge sig, når tilstopningen fjernes.

### KEND PRODUKTET

Se side 163.

1. Brugerfladepanel
2. Start-knap
3. Tænd/sluk håndtag
4. Teleskophåndtag
5. Brugsanvisning
6. Låsehåndtag
7. Sikkerhedsnøgle
8. Indikator for fuld græsboks
9. Justeringshåndtag for justering af klippehøjde
10. Hurtigudløsnings-klemme
11. Græsopsamler
12. Batteridæksel
13. Baghjul

14. Forhjul
15. Bioklip-prop
16. Batteri
17. Oplader

### SYMBOLER PÅ PRODUKTET



Læs og forstå alle anvisninger inden betjening af produktet. Overhold alle advarsler og sikkerhedsanvisninger.



Bær høreværn



Benyt øjenværn



Brug ikke produktet på hældninger større end 15°. Slå græsset på tværs af bakker, aldrig op og ned.



Må ikke udsættes for regn eller bruges på fugtige steder.



Pas på skarpe klinger. Klinger fortsætter med at rotere efter slukning af motor. Fjern isoleringsnøglen inden vedligeholdelse.



Pas på udslyngede eller flyvende objekter. Hold alle omkringstående, især børn og kæledyr, mindst 15 m væk fra operationsområdet.



Start



Stop



Elektriske affaldsprodukter bør ikke afskaffes sammen med husholdningsaffald. Genbrug venligst hvor faciliteterne tillader dette. Tjek med din lokale kommune eller forhandler for genbrugsråd.



Europæisk overensstemmelsesmærkning



Britisk overensstemmelsesmærkning



EurAsian  
overensstemmelsesmærke



Ukrainsk  
overensstemmelsesmærkning



Garanteret støjniveau



Position 1 på teleskophåndtag



Position 2 på teleskophåndtag

## SYMBOLER I DENNE BRUGSANVISNING



Dele eller tilbehør, der sælges  
separat



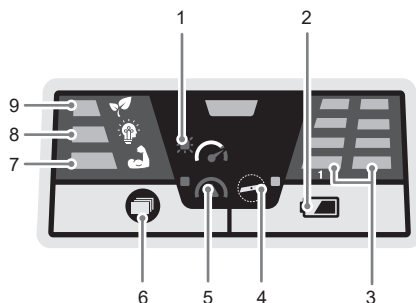
Bemærk



Advarsel

## OVERSICHT OVER BRUGERFLADEPANEL

Brugerfladepanelet viser produktets status og tilstand.



1. Stor belastning - indikerer, at belastningen er for stor for den aktuelle indstilling, og at produktet kan gå i stå. Skift til netstrømtilstand, og klippehøjden, eller nedsæt gåhastigheden.
2. Knap til status for batteriopladning - aktiverer batteriniveauindikatoren, når der trykkes på den.
3. Indikator for batteriniveau - viser opladningsniveauet i batteripakkerne.

- Hvis kun ét LED-lys lyser, er batteripakkens kapacitet på mindre end 25 %.
  - Hvis to LED-lys lyser, er batteripakkens kapacitet mellem 25 % og 50 %.
  - Hvis tre LED-lys lyser, er batteripakkens kapacitet mellem 50 % og 75 %.
  - Hvis fire LED-lys lyser, er batteripakken fuldt opladet. Batterikapaciteten er på 75%-100%.
4. Indikator for kontrol af klinger - angiver, at klingerne skal kontrolleres. Udskift den sløve kling for at holde produktet i god arbejdstilstand.
  5. Overbelastningsindikator - den angiver, at produktet er overbelastet, og at klingerne kan være fastklemt.
  6. Funktionsknap - skifter produktets skærefunktion, når der trykkes på den.
  7. Power-tilstand - angiver, at klingerne kører ved høj hastighed til klipning af tæt græs.
  8. Smart mode - angiver, at plæneklipperen er i stand til at justere klingens hastighed afhængigt af belastningen på produktet ved normal klipning.
  9. Øko-tilstand - angiver, at klingerne kører ved lav hastighed til klipning af tyndt græs.

Säkerhet, prestanda och pålitlighet har varit högsta prioritet vid design av din sladdlösa häcktrimmer.

## ANVÄNDNINGSSOMRÅDE

Den sladdlösa gräsklipparen är endast avsedd för användning utomhus.

Denna produkt är avsedd för klippning av villaträdgårdar. Den förs fram och styrs för hand en person som går bakom den.

Produkten får inte användas när inte hjulen är på marken. Den skall inte dras eller användas för att åka på.

Får ej användas för annat ändamål.

## ALLMÄNNA SÄKERHETSFORESKRIFTER

- Förvara instruktionerna på ett säkert ställe för användning vid senare tillfälle.
- Använd produkten endast med de batterier som specificeras i denna manual. Vi användning av en batteridrivna produkt ska säkerhetsföreskrifter och säkerhetsåtgärder alltid följas för att minska risken för brand, batteriläckage och personskada.

## PERSONLIG SÄKERHET

- Se till att barn eller personer med nedsatt fysisk eller psykisk förmåga, eller personer som inte är bekanta med dessa instruktioner, aldrig använder, rengör eller utför underhåll på produkten. Lokala regler kan åldersbegränsa användningen av gräsklipparen. Barn ska alltid övervakas så att de inte leker med produkten.
- Bekanta dig med reglagen och rätt användning av produkten.
- Använd tjocka långbyxor, långa ärmar och stadiga halksäkra skor. Bär inte korta byxor eller sandaler, gå inte heller barfota. Undvik att bära kläder som sitter löst eller som har hängande bälten och slips.
- Använd produkten tvärs lutningar, aldrig upp och ner. Var extremt försiktig när du byter riktning i en sluttning. Bibehåll ett bra fotfäste och bra balans. Gå. Spring aldrig.
- Använd inte produkten vid höjdskillnader, diken, alltför branta lutningar eller kullar.
- Använd alltid skyddsglasögon.
- Produkten kan kapa av händer och fötter och slunga ut föremål. Att inte följa alla säkerhetsinstruktioner kan resultera i allvarlig skada eller dödsfall.

- Var på din vakt, håll reda på vad du gör och använd sunt förnuft vid drift av enheten. Använd inte produkten om du är trött, sjuk eller påverkad av alkohol, droger eller medicin. Ett ögonblicks ouppmärksamhet vid användningen av maskinen kan leda till allvarliga personsador.

## ARBETSMILJÖ

- Använd aldrig produkten om personer, särskilt barn, uppehåller sig inom 15 meters radie på grund av faran med föremål som kan komma flygande genom kontakt med kniven.
  - Använd produkten på dagtid eller med tillräcklig belysning.
  - Använd inte maskinen om gräset är blött eller om det regnar.
  - Kom ihåg att användaren är ansvarig för olyckor och faror som uppstår för andra människor och deras egendom.
  - Föremål som träffas av gräsklipparbladet kan orsaka allvarliga personsador. Inspektera noggrant arbetsområdet där maskinen ska användas och ta bort alla stenar, pinnar, metallföremål, strängar, ben, leksaker eller andra främmande föremål. Observera, trådar eller kablar kan trassla in sig i skärkmechanismen.
  - Använd inte maskinen i explosiva atmosfärer, till exempel i närheten av brännbara vätskor, brännbara gaser eller damm. Verktyget kan skapa gnistor som kan antända damm och ångor.
  - Använd inte produkten om det finns risk för blixtnedslag.
  - Tragiska olyckor kan ske om användaren inte är uppmärksam på om barn är i närheten. Barn är ofta nyfikna på maskinen och gräsklippningen. Anta aldrig att barn kommer att vara kvar där du senast såg dem.
  - Var extra försiktig när du närmar dig hörn utan fri sikt, buskar, träd eller andra föremål, inklusive överhängande buskar som kan blockera ditt synfält.
- ## ANVÄNDNING OCH UNDERHÅLL AV BATTERIET
- Se till att läsa, vara införstådd med och alltid följa säkerhetsinstruktionerna som medföljde batteri och laddare. Om inte så kan det leda till elektrisk stöt, eldsvåda eller annan farlig situation. Se till att samtliga instruktioner förvaras tillsammans för framtida referens.



## SÄKERHETSFÖRESKRIFTER FÖR GRÄSKLIPPARE

- Batteridrivna enheter behöver inte vara inkopplade till ett eluttag för att fungera; de är därför alltid redo att användas. Avlägsna isoleringsnyckeln när du inte använder produkten.
- Plocka bort batteripaketet innan du gör några justeringar, rengör eller tar bort material från enheten.
- Se till att tändningsnyckeln är utdragen innan du sätter i batteripaketet.
- Batteripaketet får endast laddas med den batteriladdare som tillverkaren rekommenderar. Att använda en laddare med ett icke kompatibelt batteripaket utgör en brandrisk. Använd endast batteripaketet med den laddare som listas här.
- Använd endast batteripaket som är avsedda för just denna produkt. Om du använder några andra batteripaket så kan det leda till brand, elektriska stötar eller personskador.
- När batteripaketet inte används ska det hållas bort från metallföremål som gem, mynt, nycklar, spikar, skruvar och andra små metallföremål som kan kortsluta batteriets kontakter. Kortslutning av batteriets poler kan orsaka gnistor, lågor, eldsvåda eller explosion.
- Placera inte batteriprodukter eller deras batterier i närheten av eld eller värme. Detta ökar risken för explosion och potentiell personskada.
- Försök inte öppna batteripaketet och utsätt det inte för våld. Elektrolyt som läcker ut är korrosivt och kan orsaka ögon- och hudskador. Det kan vara giftigt om det sväljs.
- Skydda batteripaketet mot fukt och vatten. Ladda inte enheten på fuktiga eller våta platser. Följ den här regeln för att minska risken för elstötar.
- Om batteriet är skadat eller används på fel sätt kan ånga komma ut från batteriet. Om besvär uppstår, se till att personen ifråga får frisk luft och uppsök sedan en läkare. Ångorna kan irritera andningssystemet.
- Lämna inte batteriet i något fordon i varmt eller kallt väder.
- Bränn inte batteriet.
- Vätska kan läcka ut från batteripaketet vid felaktig användning; undvik kontakt med vätskan. Spola med vatten om du kommer i kontakt med den. Uppsök omedelbart läkarhjälp om du får vätska i ögonen. Den kan orsaka irritation och brännskador.
- Innan produkten används, inspektera den alltid visuellt för att säkerställa att blad, bladbultar och klippenheten inte är slitna eller skadade. Byt ut utslitna eller skadade knivar och bultar i set för att bibehålla balansen.
- Lämna produkten till auktoriserat servicecenter för utbyte av skadade eller oläsbara etiketter.
- Dra inte produkten bakåt såvida det inte är helt nödvändigt. Om du måste backa med maskinen bort från en vägg eller något annat hinder, titta först ner och bakom dig för att förhindra att du snubblar eller kör över dina egna fötter med maskinen.
- Stäng alltid först av produkten och vänta tills bladen stannat om produkten behöver tippas när du korsar andra ytor än gräs och när du transporterar den till och från arbetsområdet.
- Använd aldrig produkten med defekta skydd eller utan att säkerhetsanordningar, t.ex. deflektorer och gräsuppsamlare, är på plats.
- Luta inte produkten när du slår på motorn eller medan motorn är igång. Om det är absolut nödvändigt kan du höja den främre delen av gräsklipparen max 5 cm för att möjliggöra enklare start. Tryck ner styret för att uppnå detta. Placera alltid gräsklipparen i normalt läge med alla fyra hjulen på marken innan du börjar klippa. När gräsklipparen tippas exponeras bladet och risken för kastande föremål och oavsiktlig kontakt med bladet ökar.
- Starta inte produkten när du står framför öppningen för gräsutkast.
- Produkten måste startas med operatören på plats bakom styret, i operatörens säkerhetszon. Starta aldrig produkten om:
  - gräsutkastet är exponerat och inte skyddas av gräslådan och gräsutkastets lock
  - Alla personers händer och fötter inte är borta från skärknivsinkapslingen
- Slå på produkten noga enligt instruktionerna och håll händer och fötter borta från bladen. Placera inte händerna eller fötterna nära eller under roterande delar. Håll alltid undan från utkastöppningen.

- Lyft aldrig upp och bär produkten när motorn är i gång.
- Stanna produkten, ta bort nyckeln till huvudströmbrytaren och batteriet. Se till att samtliga rörliga delar har stannat helt:
  - när du lämnar produkten utan överinseende (inklusive bortskaffande av gräsklipp).
  - innan du rensar en blockering eller tar bort gräs som fastnat i utkastet
  - före kontroll av, rengöring av eller arbete med produkten
  - innan gräsuppsamlaren tas bort eller gräsutkastets lock öppnas
  - efter att träffat främmande föremål (kontrollera produkten så den inte skadats, reparera vid behov före omstart och före användning av produkten).
  - när maskinen börjar vibrera onormalt (kontrollera omedelbart)
    - Inspektera avseende skador, särskilt skärknivarna
    - byt ut eller reparera alla skadade delar
    - kontrollera och sätt fast ev. lösa delar
- Klippkniven bör rotera mer eller mindre parallellt mot den yta som ska klippas.
- Produktens knivar är vassa. Var extremt försiktig och använd grova arbetshandskar vid montering, byte eller kontroll av muttrar.
- Kör aldrig produkten om inte på/av-kontakten startar resp. stoppar produkten ordentligt.
- Lås aldrig på/av-brytaren i läget ON – det är extremt riskfyllt.
- Tvinga inte produkten. Verktuget fungerar bäst och mest effektivt om du jobbar i den takt som det är avsett för.
- Stoppa kniven när du kör över en grusgång eller liknande.
- Undvik hål, hjulspår, gupp, stenar och andra dolda föremål. Ojämn terräng kan orsaka halkolyckor.
- Kontrollera att motorns kontrollkabel inte är trasslad, klämd eller på annat sätt skadad under montering eller då handtaget viks in.
- Risk för person- eller slitageskador vid användning av verktuget under lång tid. Om en produkt används under en längre tid, var noga med att ta regelbundna pauser.

## YTTERLIGARE SÄKERHETSVARNINGAR FÖR BATTERIER

- För att undvika den fara för brand, personskador eller produktskador som orsakas av en kortslutning, doppa inte ner verktuget, utbytesbatteriet eller laddaren i vätskor och se till att ingen vätska kan tränga in i apparaterna eller batterierna. Korroderande eller ledande vätskor, som saltvatten, vissa kemikalier, blekningsmedel eller produkter som innehåller blekmedel, kan orsaka en kortslutning.
- Kassera inte batterier tillsammans med hushållssoporna. De måste samlas in separat och lämnas på en återvinningsstation. Hör med din lokala myndighet eller din återförsäljare om råd för återvinning och insamlingsstation.

## PRODUKTFUNKTIONER

### ÖVERBELASTNING OCH ÖVERHETTNINGSSKYDD

Produkten har ett överlastskydd. När överlast detekteras stängs produkten automatiskt av. Om överbelastningsskyddet är aktiverat måste på/av-spaken släppas. Tryck på startknappen och håll sedan ned på/av-spaken för att starta om produkten. Om produkten fortfarande inte startar, återinstallera batteripaketet.

Batteriet har överbelastningsskydd. Extrema temperaturer får batteriet att stänga av sig automatiskt. Om batteripaketet är för varmt, låt det svalna innan du återupptar arbetet. Ladda batteriet om verktuget fortfarande inte fungerar efter det.

**OBS:** Indikatorbilden på batteripaketet fungerar inte om batteriets skyddsfunktioner har stängts av batteriet automatiskt. Stäng av produkten eller ta bort batteripaketet från produkten, därefter kommer LED-indikatorlampan för batteripaketet återuppta normal funktion.

### TELESKOPHANDTAG

Produkten är utrustad med ett teleskophandtag som kan justeras vid förvaring och drift. Teleskophandtaget måste föras ut helt i läge 1 eller 2 när produkten ska användas. Kontrollera att handtaget är säkrat med spaken till handtagslåset och snabbfrigöringen. Tillse att handtaget är låst vid förvaring i vertikalt läge.

## TVÅ BATTERIPLATSER

Produkten kan användas med ett eller två batterier. Med två batterier får man starkare ström, högre effekt och längre körtid.

### ALLMÄNNA GRÄSKLIPPNINGSTIPS

Körtiden för batteriet beror på skick, längd och täthet för gräset.

Ställ in klipphöjden så att den passar det aktuella skicket på gräset som ska klippas.

- För bästa resultat ska inte mer än en tredjedel av grässets total längd klippas.
- Minska gånghastigheten vid klippning av långt gräs för att öka klippningsprestandan och för att få ordentligt utkast av gräset.
- Högre klipphöjd ökar batteriets driftstid.

### TRANSPORT OCH FÖRVARING

- Stanna produkten, ta bort nyckeln till huvudströmbrytaren och batteriet. Se till att samtliga rörliga delar har stannat helt. Låt produkten svalna före du förvarar eller transporterar den i ett fordon.
- Ta bort allt främmande material från produkten. Förvara den svalt och välventilerat på en plats där barn inte kan komma åt den. Håll produkten borta från frätande ämnen, såsom trädgårdskemikalier och vägsalt. Förvara inte produkten utomhus.
- För transport i fordon, ta bort nyckeln till huvudströmbrytaren och säkra produkten mot rörelse eller fall för att förhindra person- och materialskador eller skada på produkten.
- Var mycket försiktig när produkten lyfts eller lutas för underhåll, rengöring, förvaring eller transport. Knivarna är mycket vassa. Se till att alla kroppsdelar är på säkert avstånd då kniven exponeras.

### TRANSPORTERA LITIUMBATTERIER

Transportera batterier enligt lokala och nationella riktlinjer och föreskrifter.

Följ alla särskilda krav på förpackning och etikettering vid transport av batterier som utförs av tredje part. Se till att inga batterier kan komma i kontakt med andra batterier eller ledande material under transporten genom att skydda exponerade kontaktytor med isolerande, icke ledande överdrag eller tejp. Transportera aldrig batterier som har spruckit eller som läcker. Kontrollera med det transporterande företaget för vidare rådgivning.

## UNDERHÅLL

- Använd enbart reservdelar och tillbehör från tillverkaren. Om inte kan det eventuellt orsaka skador, sämre resultat och kan upphäva garantin.
- Att serva produkten kräver extrem försiktighet och kunskap och bör endast utföras av en kvalificerad servicetekniker. Produkten får endast repareras på ett auktoriserat servicecenter.
- Stanna produkten, ta bort nyckeln till huvudströmbrytaren och batteriet. Säkerställ att alla rörliga delar har stannat helt före eventuell rengöring eller eventuellt underhåll.
- Byt ut slitna eller skadade delar för bästa säkerhet.
- Kontrollera gräsuppsamlaren regelbundet för slitage och nedbrytning.
- För att vara säker på att produkten är säker att använda, kontrollera alla muttrar, bultar och skruvar regelbundet för att säkerställa att de är åtdragna ordentligt.
- Var vid inställning av produkten noga med att förhindra att fingrarna fastnar mellan rörliga och fasta delar på maskinen.
- Vid underhåll av bladen, var medveten om att bladen fortfarande kan röra sig även om strömkällan är avslagen.
- Du kan göra de justeringar och reparationer som beskrivs i den här manualen. För övrig och reparation, låt endast ett auktoriserat servicecenter utföra dessa arbeten.
- Rengör plastdelar med en mjuk, torr duk efter varje användning. Skadade delar skall repareras ordentligt eller bytas ut av en auktoriserad servicefirma.
- Produktens knivar är vassa. Var extremt försiktig och använd grova arbetshandskar vid montering, byte eller kontroll av muttrar.
- Bladbultarna måste vara tillräckligt åtdragna. Se tillverkarens anvisningar för rekommendationer om bladbultarnas vridmoment som du hittar under tabellen produktspecifikation i denna manual.

## RENSA BLOCKERINGAR

- Stanna produkten, ta bort nyckeln till huvudströmbrytaren och batteriet. Se till att samtliga rörliga delar har stannat helt.

- Använd alltid grova arbetshandskar vid kontroll av och rensning av blockering. Bladen är vassa och själva blockeringen kan vara ett vasst föremål.
- Plocka bort grässamlaren. Kolla gräsuppsamlaren och ta försiktigt bort blockeringar.
- Kontrollera gräsutkastet efter blockeringar och rengör försiktigt.
- Vänd upp produkten på sidan. Kontrollera undersidan och området runt bladet. Ta försiktigt bort eventuella blockeringar som upptäcks. Kom ihåg att bladet kan röra sig under rengöring.

## LÄR KÄNNA PRODUKTEN

Se sida 163.

1. Gränssnittskort
2. Startknapp
3. På/av-spak
4. Teleskophandtag
5. Bruksanvisning
6. Låsarm för handtag
7. Tändningsnyckel
8. Gräsuppsamlingslådan full-indikator
9. Justeringsspak för skärhöjd
10. Snabbreleasefäste
11. Gräsuppsamlare
12. Batterilucka
13. Bakhjul
14. Framhjul
15. Komposteringsplugg
16. Batteri
17. Batteriladdare

## SYMBOLER PÅ PRODUKTEN



Läs och se till att du förstår alla anvisningar innan du använder produkten. Följ alla varningar och säkerhetsanvisningar.



Använd hörselskydd



Bär ögonskydd



Använd inte produkten på lutande ytor som överstiger 15 °. Klipp längst med slutningar, aldrig uppåt eller nedåt.



Utsätt inte för regn eller våta omgivning.



Var försiktig med vassa blad. Bladen fortsätter rotera efter att motorn har stängts av. Ta bort nyckeln till huvudströmbrytaren före underhåll.



Se upp för kringkastade eller flygande föremål. Alla åskådare, särskilt barn och husdjur, ska befinna sig minst 15 m från arbetsområdet.



Kör



Stanna



Gamla elektroniska produkter ska inte kastas med hushållssoporna. Återvinn där sådana faciliteter finns. Kontrollera med din lokala myndighet eller säljaren för att få återvinningstips.



CE-märkning



Brittisk CE-märkning



EurAsian överensstämmelsesymbol



Ukrainsk CE-märkning

001



Garanterad ljudeffektsnivå



Position 1 på teleskophandtaget



Position 2 på teleskophandtaget

## SYMBOLER I MANUALEN



Delar och utrustning säljs separat



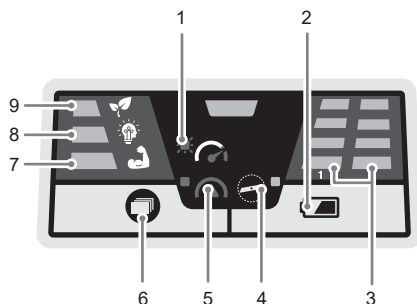
OBS



Varning

## GRÄNSSNITTSKORT, ÖVERSIKT

Gränssnittskortet visar produktens status och kondition.



1. Hög belastning – indikerar att belastningen är för hög för inställningarna och produkten kan stanna. Växla till kraftläge, höj klipphöjden eller sänk hastigheten.
2. Knapp för batteriladdningsstatus - tryck för att tända indikeringen för batterinivå.
3. Batteriindikator – visar batteriets laddningsnivå.
  - Om bar en LED tänds är batteriets laddning lägre än 25 %.
  - Om två LED tänds är batteriet laddat till mellan 25 % och 50 %.
  - Om tre LED tänds är batteriet laddat till mellan 50 % och 75 %.
  - När fyra LED tänds är batteriet fulladdat. Batteripackets kapacitet är mellan 75% och 100%.
4. Indikator för bladkontroll – visar att bladet måste kontrolleras. Byt ut det slöa bladet för att hålla produkten i gott, funktionsdugligt skick.
5. Överbelastningsindikator – visar att produkten är överbelastad och att bladet kan ha fastnat.
6. Lägesknapp - tryck för att ändra produktens kapningsläge.
7. Effektläge – visar att bladet håller hög hastighet för klippning av tjockt gräs.
8. Smart läge – visar att gräsklipparen kan justera bladhastigheten utefter belastningen på produkten vid allmän klippning.
9. Ekoläge – visar att bladet håller låg hastighet för klippning av tunt gräs.

Johdoton ruohonleikkuri suunnittelussa on pidetty etusijalla turvallisuutta, suorituskykyä ja luotettavuutta.

## KÄYTTÖTARKOITUS

Johdoton ruohonleikkuri on tarkoitettu vain ulkokäyttöön.

Tämä tuote on tarkoitettu kotinurmikon leikkuuseen. Kone on kävellen ohjattava, käsin työnnettävä ruohonleikkuri.

Tuotetta ei saa koskaan käyttää sen pyörien ollessa irti maasta. Sitä ei saa vetää, eikä sen päällä saa ratsastaa.

Älä käytä muihin tarkoituksiin.

## YLEISET TURVALLISUUSVAROITUKSET

- Säilytä ohjeet tulevaa käyttöä varten.
- Käytä tuotetta vain tässä oppaassa mainittujen akkujen kanssa. Akkukäyttöistä invertteriä käytettäessä on aina noudatettava perusturvaohjeita, jotta tulipalon, vuotavien akkujen ja henkilövahinkojen vaara olisi mahdollisimman pieni.

## KÄYTTÄJÄN TURVALLISUUS

- Älä koskaan salli lasten tai ihmisten, joiden fyysiset tai henkiset kyvyt tai aistit ovat heikentyneet, tai näitä ohjeita tuntemattomien käyttää, puhdistaa tai huoltaa tuotetta. Paikalliset säädökset saattavat asettaa rajastuksia käyttäjän iälle. Lapsia on pidettävä asianmukaisesti silmällä, jotta he eivät pääse leikkimään tuotteella.
- Tutustu ohjaimiin ja tuotteen asianmukaiseen käyttöön.
- Käytä kestäviä pitkiä housuja, pitkähaihaista yläosaa ja vankkoja luistamattomia jalkineita. Älä käytä sortseja ja sandaaleja tai kulje avojaloin. Älä käytä löysiä vaatteita tai vaatteita, joista riippuu nuoria tai siteitä.
- Käytä tuotetta rinteessä poikittain, ei ylös ja alas. Ole erityisen varovainen vaihtaessasi suuntaa rinteessä. Pidä vakaa tasapaino. Kävele, älä koskaan juokse.
- Älä käytä tuotetta jyrkän teiden, oijen, hyvin jyrkkien rinteiden tai töyräiden lähellä.
- Pidä aina suojalaseja.

- Laite on riittävän voimakas leikkaamaan raajoihin ja sinkoamaan esineitä. Turvaohjeiden laiminlyönti voi aiheuttaa vakavia ruumiinvammoja tai kuoleman.
- Ole valpas, katso mitä teet ja käytä tervettä järkeä, kun käytät tuotetta. Älä käytä tätä tuotetta väsyneenä, sairaana tai huumeiden, alkoholin tai lääkkeiden vaikutuksen alaisena. Tarkkaamattomuus laitetta käytettäessä saattaa johtaa vakavaan loukkaantumiseen.

## TYÖYMPÄRISTÖ

- Älä koskaan käytä tuotetta, kun ihmisiä, erityisesti lapsia, tai lemmikkejä on 15 metrin etäisyydellä tuotteesta, koska terää koskettavat kappaleet saattavat sinkoutua ilmaan.
- Käytä tuotetta ainoastaan päivänvalossa tai hyvässä keinovalossa.
- Älä käytä laitetta märässä ruohossa tai sateessa.
- Muista, että ruohonleikkurin käyttäjä on vastuussa vahingoista ja vaaroista, jotka hän aiheuttaa muille ihmisille ja heidän omaisuuksilleen.
- Osat, kuten ruohonleikkurin terä, voivat aiheuttaa vakavia vammoja. Tarkista huolella alue, jolla laitetta käytetään, ja poista kaikki kivet, tikut, metallikappaleet, johdot, luut, lelut ja muut vierasesineet. Muista, että siima tai lanka voi sotkeutua leikkuuosaan.
- Älä käytä laitetta räjähdysalttiissa paikoissa, kuten helposti syttyvien nesteiden tai kaasujen tai pölyn läheisyydessä. Työkalu saattaa kipinöidä, mikä saattaa sytyttää pölyn tai höyryt.
- Älä käytä tuotetta paikassa, jossa on salamaniskun vaara.
- Traagisia onnettomuuksia voi sattua, jos käyttäjä ei huomioi lasten paikallaoloa. Lapset ovat usein kiinnosuneita ruohonleikkurista ja ruohon leikkaamisesta. Älä koskaan oletta, että lapset ovat edelleen siellä, missä näit heidät viimeksi.
- Noudata erityistä varovaisuutta lähellä sokeita kulmia, pensaita, puita ja muita kohteita, kuten riippuvia pensaita, jotka voivat estää näkyvyyttä.

## AKKUKÄYTTÖISEN TYÖKALUN KÄYTTÖ JA HOITO

- Lue ja ymmärrä akun ja laturin mukana tulleet turvallisuusohjeet ja noudata niitä aina. Tämän laiminlyönti voi aiheuttaa sähköiskun, tulipalon tai muun vaaratilanteen. Pidä kaikki ohjeet yhdessä ja turvallisessa paikassa tulevaa käyttöä varten.
- Akkukäyttöisiä työkaluja ei tarvitse kytkeä pistorasiaan, joten ne ovat aina käyttövalmiita. Irrota virta-avain aina, kun et käytä tuotetta.
- Irrota akku ennen säätöjä, puhdistusta ja materiaalin irrottamista laitteesta.
- Varmista ennen akun asentamista, että virta-avain on irrotettu.
- Akun lataukseen saa käyttää ainoastaan valmistajan mainitsemaa laturia. Laturin käyttö yhteensopimattoman akun kanssa voi aiheuttaa tulipalon vaaran. Käytä ainoastaan ohjeissa mainittua akkulaturia.
- Käytä vain erityisesti laitteelle tarkoitettua akkua. Muiden akkujen käyttö voi johtaa tulipaloon, sähköiskuun tai loukkaantumiseen.
- Kun akkua ei käytetä, pidä se erillään metalliesineistä, kuten paperiliittimistä, kolikoista, avaimista, nauloista, ruuveista ja muista pienistä metalliesineistä, jotka voivat yhdistää akun navat. Akun napojen oikosulkeminen voi aiheuttaa kipinäintä, palovammoja, tulipalon tai räjähdysen.
- Älä aseta akkukäyttöisiä tuotteita tai niiden akkuja lähelle tulta tai lämmönlähdettä. Tämä lisäisi räjähdysen ja loukkaantumisen vaaraa.
- Älä avaa tai vioita akkua. Vapautunut elektrolyytti on syövyttävää ja voi vioittaa silmiä tai ihoa. Se voi olla myrkyllistä nieltynä.
- Suojele akkua kosteudelta ja vedeltä. Älä lataa yksikköä kosteassa tai märässä ympäristössä. Tämän ohjeen noudattaminen pienentää sähköiskun vaaraa.
- Jos akku vioittuu tai sitä käytetään virheellisesti, siitä saattaa vapautua huujuja. Hakeudu tällöin raikkaaseen ilmaan ja oireiden tapauksessa lääkäriin. Huurut voivat ärsyttää hengitystiehyeyttä.

- Älä jätä akkua ajoneuvoon kuumiin tai kylmiin oloihin.
- Älä sytytä akkua tuleen.
- Jos akkua käsitellään väärin, siitä voi vuotaa nestettä; älä kosketa sitä. Jos kosketat sitä vahingossa, huuhtelee se vedellä. Jos nestettä pääsee silmiin, hakeudu välittömästi lääkärin hoitoon. Akusta vuotanut neste voi ärsyttää ihoa ja aiheuttaa palovammoja.

## RUOHONLEIKKURIN TURVALLISUUSVAROITUKSET

- Varmista silmämääräisesti aina ennen käyttöä, että terien, niiden kiinnitysmuttereiden ja koko leikkurikokoonpanon kunto on moitteeton. Vaihda kuluneet tai vioittuneet terät ja pultit sarjoina säilyttääksesi tasapainon.
- Vie tuote valtuutettuun huoltoon vaurioituneiden ja lukukelvottomien kyttien vaihtamiseksi.
- Älä vedä tuotetta takaperin ellei se ole täysin välttämätöntä. Jos laitetta on peruutettava seinän tai esteen luota, katso ensin alas ja taaksesi, jotta et kompastu tai vedä laitetta jaloillesi.
- Katkaise koneesta virta ja anna terän pysähtyä kokonaan, jos konetta on kallistettava siirtämistä varten, kun ylität muita kuin ruohopintoja ja kun siirät konetta työskentelyalueelta toiselle.
- Älä koskaan käytä konetta viallisilla suojuksilla tai jos jokin turvalaite, kuten ruohonohjain ja/ tai -kerääjä, ei ole paikallaan.
- Älä kallista konetta, kun käynnistät moottoria, tai moottorin käydessä. Jos aivan välttämätöntä, voit kohottaa ruohonleikkurin etuosaa korkeintaan 5 cm käynnistämisen helpottamiseksi. Nosto tapahtuu painamalla alas kahvatangosta. Palauta ruohonleikkuri aina ennen leikkuaan aloittamista normaaliin ajoasentoonsa, jossa sen kaikki pyörät ovat maassa. Ruohonleikkurin kallistaminen paljastaa terän ja suurentaa riskiä siitä, että joitain esineitä voi singota ja että terän kanssa voi joutua kosketuksiin.
- Älä seiso konetta käynnistäessäsi ruohosilpun purkaukoon edessä.
- Tuote on käynnistettävä käyttäjän ollessa kahvojen takana suoja-alueella. Älä koskaan käynnistä tuotetta, jos

- Ruohon poistokouru on avoin, eikä sitä ole suojattu ruoholaatikolla tai suojakannella
- Kädet ja jalat ovat poissa leikkuukotelosta
- Käynnistä laite huolellisesti ohjeiden mukaisesti, ja pidä kädet ja jalat kaukana teristä. Älä laita käsiä tai jalkoja lähelle pyöriäviä osia tai niiden alle. Pidä ruohonkeruuaukko aina vapaana.
- Älä koskaan nosta tai kannata tuotetta moottorin käydessä.
- Pysäytä laite, poista eristimen avain ja akku. Varmista, että kaikki liikkuvat osat ovat pysähtyneet täysin:
  - aina kun jätät tuotteen valvomatta (mukaan lukien ruoholeikkeiden hävittäminen)
  - Ennen tukoksen poistamista tai poistokourun puhdistusta
  - ennen tuotteen tarkastusta, puhdistusta ja huoltoa
  - ennen ruohonkerääjän irrottamista tai ruohosilpun poistokourun kannen avaamista
  - törmättyäsi vieraaseen esineeseen; tarkista laite vaurioiden varalta ja suorita tarpeelliset korjaukset ennen laitteen käynnistämistä ja käyttöä
  - Jos tuote alkaa tärinästä epänormaalisti (tarkista välittömästi)
    - tarkista laite, erityisesti terät, vaurioiden varalta
    - vaihda tai korjaa kaikki vioittuneet osat
    - tarkista, onko jokin osa löysällä, ja kiristä tarvittaessa
- Leikkuuterän on pyörittävä suunnilleen sen alla olevan maanpinnan suuntaisesti.
- Tuotteen terä on terävä. Ole varovainen ja käytä paksuja käsineitä asettaessasi pulttia paikoilleen ja asentaessasi tai puhdistaussasi sitä ja tarkistaessasi sen kireyttä.
- Älä koskaan käytä tuotetta, jos ohjaustangon virtakytkin ei käynnistä tai sammuta tuotetta asianmukaisesti.
- Älä koskaan yritä lukita virtakytkimiä ON- asentoon; tämä on erittäin vaarallista.
- Älä pakota tuotetta. Se hoitaa työt paremmin ja turvallisemmin sillä vauhdilla, jota varten se on suunniteltu.
- Pysäytä terä, kun ylität sorapintoja.
- Vältä koloja, uria, möykkyjä, kiviä ja muita piilossa olevia esteitä. Epätasaisessa maastossa voit liukastua, kaatua ja loukkaantua.
- Varmista aina, että moottorin ohjauskaapeli ei koskaan juutu, joudu puristuksiin tai muutoin vioitu kokoamisen aikana tai kahvaa taiteltaessa.
- Laitteen pitkittynyt käyttö voi aiheuttaa tai vaikeuttaa vammoja. Jos käytät laitetta jatkuvasti pitkään, muista pitää työssä säännöllisiä taukoja.

## MUITA AKUN TURVALLISUUSVAROITUKSIA

- Jotta vältetään lyhytsulun aiheuttama tulipalon, loukkaantumisen tai tuotteen vahingoittumisen vaara, älä koskaan upota työkalua, vaihtoakkaa tai latauslaitetta nesteeseen ja huolehdi siitä, ettei mitään nesteitä pääse tunkeutumaan laitteiden tai akkujen sisään. Syövyttävät tai sähköä johtavat nesteet, kuten suolavesi, tietyt kemikaalit ja lalkaisuaineet tai valkaisuaineita sisältävät tuotteet voivat aiheuttaa lyhytsulun.
- Älä jätä akkua yhdessä kotitalousjätteen kanssa hävitettäväksi. Akut pitää kerätä erikseen ja palauttaa ympäristölle mahdollisimman vähäisen kuormituksen aiheuttavaan kierrätyslaitokseen. Selvitä paikkakuntasi viranomaisilta tai jälleenmyyjältäsi kierrätystä koskevat ohjeet ja akkujen keräyspisteen sijainti.

## TUOTTEEN OMINAISUUDET

### YLIKUORMITUS JA YLIKUUMENEMISSUOJA

Tuotteessa on ylivirtasuoja. Kun ylikuormitusta havaitaan, laite kytkeytyy automaattisesti pois päältä. Jos ylikuormitusuoja aktivoidaan, virtavipu on vapautettava. Uudelleenkäynnistä laite painamalla käynnistuspainiketta ja puristamalla virtavipua. Jos laite ei käynnisty, asenna akkupakkaus uudelleen.

Akussa on ylikuumenemissuojaus. Liian kuuma lämpötila saa akun lakkaamaan antamasta virtaa. Jos akkupakkaus on kuumennut liikaa, anna sen jäähtyä ennen käytön jatkamista. Jos laite ei silloinkaan toimi, lataa akku.



**HUOMAUTUS:** Akun merkivalo ei toimi, jos akun suojaominaisuus on saanut akun lakkaamaan antamasta laitteelle virtaa. Sammuta laite tai poista siitä akkupakkaus, ja akkupakkauksen LED-merkivalo palaa normaaliin toimintaan.

## TELESKOOPPIKAHVA

Laite on varustettu teleskooppikahvalla, jota voi säätää varastointia ja käyttöä varten. Teleskooppikahvan tulee olla vedetty ulos asentoon 1 tai 2, kun laitetta valmistellaan käyttöön. Varmista, että kahva on kiinnitetty kahvan lukkoviculla ja pikakiinnikkeellä. Varmista, että kahva on lukittuna pystysuoran säilytyksen ajan.

## KAKSI AKKUPAIKKA

Tuote voi toimia yhdellä tai kahdella akulla. Kaksi akkua tuottaa suuremman virran, mikä tuottaa enemmän tehoa ja pitemmän käyttöajan.

## YLEISIÄ RUOHONLEIKKUUVINKKEJÄ

Akun kesto riippuu ruohon kunnosta, pituudesta ja paksuudesta.

Säädä ruohonleikkurin leikkuukorkeus leikkattavan nurmikon kunnan mukaan.

- Paras suorituskyky saadaan lyhentämällä ruohoa aina enintään kolmasosalla.
- Pitkää ruohoa leikatessasi, kulje hitaammin ja tehosta näin leikkuuta ja ruohon poistumista leikkurista.
- Korkeampi leikkuukorkeus pidentää akun kestoa.

## KULJETUS JA VARASTOITAESSA

- Pysäytä laite, poista eristimen avain ja akku. Varmista, että kaikki liikkuvat osat ovat pysähtyneet täysin. Anna laitteen jäähtyä kunnolla, ennen kuin siirrät sen säilytykseen tai kuljetat sitä ajoneuvossa.
- Puhdista laitteesta kaikki vieraat materiaalit. Varastoi laite viileään, kuivaan ja hyvin tuuletettuun paikkaan, jossa lapset eivät pääse siihen käsiksi. Pidä tuote erillään syövyttävistä aineista, kuten puutarhakemikaaleista ja jäänestosuolasta. Älä säilytä laitetta ulkona.
- Kun kuljetat laitetta ajoneuvossa, poista eristimen avain ja kiinnitä laite huolella liikehännän tai putoamisen estämiseksi, jotta voidaan välttää henkilö- tai laitevahingoilta.

- Ole erityisen varovainen, kun nostat tai kallistat konetta huoltoon, puhdistusta, varastointia tai kuljetusta varten. Terä on terävä. Pidä kaikki ruumiinosat poissa terän tieltä terän ollessa paljaana.

## LITIUMAKKUJEN KULJETTAMINEN

Kuljeta akkuja paikallisten ja kansallisten ehtojen ja säädösten mukaisesti.

Noudata kaikkia pakkaamista ja nimeämistä koskevia erikoissäädöksiä, kun kolmas osapuoli kuljettaa akkuja. Varmista, että mikään akku ei kosketa muita akkuja tai johtavaa materiaalia kuljetuksen aikana suojaamalla paljaat navat eristävyillä, johtamattomilla korkeilla tai teipillä. Älä kuljeta akkuja, jotka ovat halkeilleet tai vuotavat. Kysy välitysyriykseltä lisäneuvoja.

## HUOLTO

- Käytä ainoastaan alkuperäisiä valmistajan tuottamia varaosia, lisälaitteita ja lisävarusteita. Tämän noudattamatta jättäminen voi johtaa loukkaantumiseen ja huonoon tulokseen ja voi mitätöidä takuun.
- Huolto kaipaa suurta huolellisuutta ja hyvää työkalun tuntemusta: Se on annettava pätevän teknikon tehtäväksi. Teetä huollot ainoastaan valtuutetussa huoltoliikkeessä.
- Pysäytä laite, poista eristimen avain ja akku. Varmista, että laitteen kaikki liikkuvat osat ovat pysähtyneet täysin, ennen kuin alat puhdistaa tai huoltaa sitä.
- Vaihda kuluneet ja vahingoittuneet osat turvallisuussyistä.
- Tarkasta usein ruohon keräyssäkin tila ja mahdollinen kuluminen ja vaurioituminen.
- Varmista aina, että ruuvit ja mutterit ovat tiukasti kiinni, jotta tuote olisi aina turvallinen ja käyttövalmis.
- Varo laitetta säätäessäsi, että sormet eivät jää liikkuvien terien ja laitteen kiinteiden osien väliin.
- Kun huollat teriä, ota huomioon, että vaikka laitteesta on kytketty virta pois päältä, terät voivat silti liikkua.
- Voit tehdä tässä käyttöoppaassa kuvattuja säätöjä ja korjauksia. Huollata ja korjata ruohonleikkuri ainoastaan valtuutetussa huoltoliikkeessä.
- Puhdista muoviosat aina käytön jälkeen puhtaalla, kuivalla liinalla. Valtuutetun huoltopisteen on korjattava tai vaihdettava vioittuneet osat asianmukaisesti.

- Tuotteen terä on terävä. Ole varovainen ja käytä paksuja käsineitä asettaessasi pulttia paikoilleen ja asentaessasi tai puhdistaussasi sitä ja tarkistaessasi sen kireyttä.
- Terän pultteja on kiristettävä riittävästi. Katso valmistajan suositukset terän pultin kiristysmomentiksi; ne löytyvät tämän oppaan tuotetietotaulukosta.

## TUKOKSEN POISTAMINEN

- Pysäytä laite, poista eristimen avain ja akku. Varmista, että kaikki liikkuvat osat ovat pysähtyneet täysin.
- Käytä aina paksuja suojakäsineitä etsiessäsi ja poistaessasi tukosta. Terät ovat terävät ja tukos itsessään voi olla terävä esine.
- Irrota ruohonkerääjä. Tarkista ruohonkerääjä tukkeutumien varalta, jos niitä on, poista ne huolellisesti.
- Tarkasta ruohon poistokouru ja poista tukokset varovasti.
- Käännä kone kyljelleen. Tarkista sen alapuoli ja terää ympäröivä alue. Jos näet tukoksia, poista ne varovasti. Muista, että terä saattaa liikkua puhdistuksen aikana.

## TUNNE TUOTTEESI

Katso sivu 163.

1. Liitäntäkortti
2. Käynnistyspainike
3. Virtavipu
4. Teleskooppikahva
5. Manuaalinen leikkuu
6. Kahvalukon vipu
7. Virta-avain
8. Keruulaatikon täyttymisilmmais
9. Leikkuukorkeuden säätövipu
10. Pikaliitin
11. Ruohonkeräin
12. Akkutilan kansi
13. Takapyörä
14. Etupyörä
15. Silppuripistoke
16. Akku
17. Laturi

## TUOTTEESSA OLEVAT SYMBOLIT



Kaikki ohjeet on luettava ja ymmärrettävä ennen tuotteen käyttöä. Noudata varoituksia ja turvallisuusohjeita.



Käytä kuulosuojaimia



Käytä silmäsuojaimia



Älä käytä laitetta yli 15 asteen kaltevuudessa. Leikkaa ruoho rinteissä poikittain eikä koskaan ylös alas.



Älä altista konetta sateelle tai kosteudelle.



Varo teräviä teriä. Terät jatkavat pyörimistään moottorin sammumisen jälkeenkin. Poista eristysavain ennen huoltoa.



Varo sinkoutuneita ja muita lentäviä esineitä. Pidä kaikki sivulliset, erityisesti lapset ja lemmikit, vähintään 15 metrin päässä työskentelyalueelta.



Aja



Stop



Käytöstä poistettavia sähkölaitteita ei pidä hävittää talousjätteiden mukana. Ne on mahdollisuuksien mukaan pantava kiertoon. Kierrätysohjeita antavat kunnan viranomaiset ja vähittäiskauppiat.



Eurooppalainen vaatimustenmukaisuusmerkintä



Brittiläinen vaatimustenmukaisuusmerkintä



EurAsian-vaatimustenmukaisuusmerkki



Ukrainalainen vaatimustenmukaisuusmerkintä

001



Taattu äänenteho



Asento 1 teleskooppikahvassa



Asento 2 teleskooppikahvassa

## TÄMÄN KÄSIKIRJAN SYMBOLIT



Osat ja lisävarusteet on hankittava erikseen



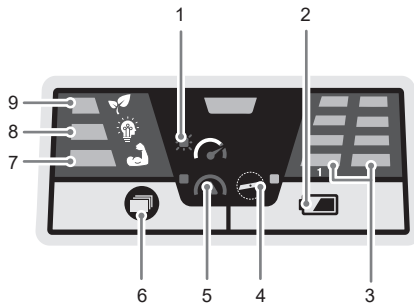
Huom



Varoitus

## LIITÄNTÄKORTTI YLEISESTI

Liitântäkortissa näkyy tuotteen tila ja kunto.



1. Suuri kuorma – tarkoittaa, että kuorma on liian suuri nykyasetukselle ja että tuote saattaa sammua. Siirry tehotilaan, suurena leikkuukorkeutta tai hidasta kulkunopeutta.
2. Akun lataustilan painike - käynnistää akun tason ilmaisimen, kun sitä painetaan.
3. Akkutason merkkivalo – ilmoittaa akussa jäljellä olevan varauksen määrän.
  - Jos vain yksi LED palaa, akun kapasiteetti on alle 25 %.
  - Jos kaksi LEDiä palaa, akun kapasiteetti on 25–50 %.
  - Jos kolme LEDiä palaa, akun kapasiteetti on 50–75 %.
  - Jos neljä LEDiä palaa, akku on täynnä. Akun varaus on välillä 75-100 %.
4. Terän tarkistuksen merkkivalo – ilmoittaa, että terä on tarkistettava. Vaihda tylsä terä pitääksesi tuotteen hyvässä kunnossa.
5. Ylikuormituksen merkkivalo – ilmoittaa, että tuote on ylikuormittunut ja terä saattaa olla jumissa.
6. Tilapainike - muuttaa tuotteen leikkuutilaa, kun sitä painetaan.
7. Tehotila – ilmoittaa, että terä pyörii suurella nopeudella tiheän ruohikon leikkaamiseksi.

8. Älytila – ilmoittaa, että ruohonleikkuri kykenee säätämään terän nopeutta tuotteen kuorman mukaan yleisessä leikkaamisessa.
9. Eco-tila – ilmoittaa, että terä pyörii pienellä nopeudella harvan ruohikon leikkaamiseksi.

Sikkerhet, ytelse og driftssikkerhet er gitt topp prioritet i konstruksjonen av din kabelfri gressklipper.

### TILTENKT BRUK

Den kabelfrie gressklipperen skal bare brukes utendørsbruk.

Dette produktet er ment for klipping av plener i private hager. Det er en gressklipper som styres bakfra av en gående person, og som skyves for hånd.

Produktet må aldri brukes med hjulene hevet fra bakken. Ikke løft klipperen eller ri på den

Den skal ikke brukes til noe annet formål

### GENERELLE SIKKERHETSADVARSLER

- Vennligst ta vare på instruksjonene for fremtidig bruk.
- Bruk bare maskinen med batteritypen som er angitt i denne håndboken. Når du bruker et batteridrevet produkt, må du alltid følge grunnleggende sikkerhetsforanstaltninger for å redusere risikoen for brann, batterier som lekker og personskader.

### PERSONLIG SIKKERHET

- Du må aldri la barn eller personer med nedsatte fysiske, sensoriske eller mentale evner, eller personer som ikke er fortrolige med denne bruksanvisningen bruke, rengjøre eller vedlikeholde dette produktet. Lokale forskrifter fastlegger brukerens minstealder. Barn må ha riktig tilsyn for å sikre at de ikke leker med produktet.
- Gjør deg kjent med styringen og riktig bruk av produktet.
- Bruk tykke, lange bukser, jakke med lange ermer og sklisikkert fottøy. Ha ikke på korte bukser og sandaler eller vær barføtt. Unngå å bruke klær som er løstsittende eller som har hengende snorer eller belter.
- Arbeid langs en skråning, aldri opp og ned. Vær meget forsiktig når du skifter retning i en skråning. Ha god fotfeste og ballanse til enhver tid. Gå, du må aldri løpe mens du arbeider med maskinen.
- Ikke bruk produktet nær terrengfall, grøfter, meget bratte skråninger eller fyllinger.
- Bruk alltid vernebriller.

- Produktet er i stand til å amputere hender og føtter, samt å slynge gjenstander rundt i luften. Dersom sikkerhetsinstruksene ikke følges, kan det ha alvorlige personskader eller døden til følge.
- Vær våken, følg med på hva du gjør og bruk fornuft når du anvender enheten. Ikke bruk utstyret når du er sliten, syk eller under påvirkning av alkohol, narkotika eller medisiner som kan påvirke reaksjonsevne og dømmekraft. Tap av konsentrasjon når maskinen brukes kan føre til alvorlig personskade.

### ARBEIDSOMGIVELSER

- Bruk aldri produktet når personer, spesielt barn, eller kjæledyr er innenfor 15 m på grunn av faren for at gjenstander kan slenges ut etter kontakt med bladet.
- Bruk klipperen i dagslys eller i godt kunnslys.
- Ikke bruk verktøyet i fuktige og våte omgivelser eller når det regner.
- Husk at operatøren eller brukeren er ansvarlig for uhell og farer som andre personer og deres eiendom får påført.
- Gjenstander som blir slynget ut av kuttebladene kan føre til alvorlig personskade. Inspiser området der gressklipperen skal brukes grundig, og fjern alle steiner, pinner, metallbiter, ståltråd, bein, leker og andre fremmedlegemer. Husk at snorer og vaiere kan hekte seg fast i kutteenheten.
- Ikke bruk elektrisk verktøy i eksplosive atmosfærer, der det finnes brennbare væsker, gasser eller støv. Elektrisk verktøy skaper gnister som kan antenne støv eller gasser.
- Bruk ikke produktet når det er fare for lynnedslag.
- Tragiske uhell kan oppstå dersom operatøren ikke er oppmerksom på barn i nærheten. Barn tiltrekkes ofte av slikt redskap og gressklipping. Du må aldri gå ut i fra at barn forblir på det stedet der du så dem sist.
- Vær ekstra forsiktig når du nærmer deg uoversiktlige hjørner, busker, trær eller andre objekter, inkludert overhengende busker som kan blokkere visningen.

## BATTERIPRODUKTER - BRUK OG STELL

- Du må lese og forstå sikkerhetsinstruksene som fulgte med batteriet og laderen og alltid følge disse ved bruk. Dersom dette ikke overholdes, kan det føre til elektrisk støt, brann eller andre farlige situasjoner. Ta vare på alle bruksanvisninger på et sted som er trygt for framtidig referanse.
- Batteridrevne produkter behøver ikke å kobles til en elektrisk kontakt; derfor vil de alltid være klare til bruk. Fjern skillebryteren når du ikke bruker produktet.
- Fjern batteripakken før det foretas justeringer, rengjøring eller det skal fjernes deler fra gressklipperen.
- Påse at isolatørnøkkelen er tatt ut før batteripakken settes på plass.
- Batteripakken må kun lades med ladere som er spesifisert av produsenten. Bruk av lader med en ikke-kompatibel batteripakke kan skape risiko for brann. Bruk kun de oppførte laderne til å lade batteriet.
- Bruk bare en batteripakke som er spesielt beregnet på dette verktøyet. Bruk av noe annet batteri kan føre til risiko for brann, elektrisk sjokk eller personskade.
- Når batteripakken ikke er i bruk, hold den borte fra metallgjenstander som binders, mynter, nøkler, spiker, skruer og annet som kan forbinde de to terminalene med hverandre. Kortslutning av batteriterminalene kan føre til gnister, brennemerke, brann eller eksplosjon.
- Plasser ikke batteridrevne produkter eller deres batterier nær åpen flamme eller sterk varme. Dette vil øke risikoen for eksplosjoner og mulige skader.
- Ikke gjør forsøk på å åpne eller slå i stykker en batteripakke. Batterisyre er korroderende og kan, dersom den kommer ut, føre til skade på hud og øyne. Den kan være giftig å svelge.
- Beskytt batteripakken mot fuktighet og vann. Ikke lad enheten på fuktige eller våte steder. Følg denne regelen for å redusere risikoen for elektrisk sjokk.
- Ved skade på eller feilaktig bruk av batteriet kan det avgis damp. Sørg for frisk luft og søk medisinsk hjelp dersom den som er utsatt for dampen føler seg uvel eller syk. Dampen kan irritere luftveiene.

- Ikke etterlat batteripakken i et kjøretøy under varme eller kalde forhold.
- Ikke gjør forsøk på å brenne batteriet.
- Ved feil bruk av batteriet kan det slippe ut væske. Hvis du får kontakt med væsken fra batteriet, skyll med rikelige mengder vann. Hvis væsken får kontakt med øynene må det søkes medisinsk hjelp. Væske som kommer ut av batteriet kan føre til irritasjon eller brannskår.

## SIKKERHETSADVARSLER FOR GRESSKLIPPER

- Før bruk må du alltid se over produktet for å sjekke at kniver, knivbolter og kutteren ikke er slitt eller skadet. Skift slitte og/eller skadede kniver og bolter i sett for å ivareta balansen.
- Bring produktet til et autorisert servicesenter for utskifting av skadede eller uleselige etiketter.
- Ikke dra produktet bakover kun hvis det absolutt er nødvendig. Hvis du må rygge klipperen ut fra en vegg eller en hindring, se ned og bak deg for å unngå å snuble og dernest trekke klipperen over føttene dine.
- Slå av produktet og la bladet stoppe hvis produktet må skråstilles for transport når du krysser andre overflater enn gress, og når du transporterer produktet til og fra arbeidsområdet.
- Bruk aldri produktet med defekte verneinnretninger eller skjermmer, eller uten sikkerhetsenheter, for eksempel deflektorer og gress-samlere, på plass.
- Ikke skråstill produktet når du slår på motoren eller mens motoren er i drift. Hvis det er absolutt nødvendig, kan fronten på klipperen heves inntil 5 cm for å gjøre det enklere å starte den. Du trykker ned på styret for å få til dette. Returner alltid klipperen til sin normal posisjon med alle hjulene på bakken før du begynner å klippe gresset. Når du vipper på klipperen, blir knivene eksponert. Dette øker risikoen for tilfeldig kontakt med bladet og at gjenstander blir kastet.
- Ikke start produktet når du står foran gressstømmeåpningen.
- Produktet må startes når brukeren står bak håndtaket i brukerens sikkerhetssone. Du må aldri starte produktet hvis:

- utkasterrøret er eksponert og ikke beskyttet av gressboksen eller dekselet
- Ikke alle personer har hender og føtter unna kuttedelen
- Slå prduktet forsiktig på i henhold til anvisningene, og hold hender og føtter borte fra bladene. Ikke plasser hender eller føtter under roterende deler. Hold deg alltid unna utladingsåpningen.
- Løft aldri opp eller bær produktet mens motoren går.
- Stopp gressklipperen, fjern isolatornøkkelen og ta ut batteriet. Påse at alle bevegelige deler har stoppet helt:
  - Når du forlater produkt uten tilsyn (inkludert tømning av gressavfallet).
  - før du fjerner en blokkering eller rens utkasterrøret
  - før kontroll, rensing og arbeider på produktet
  - før du fjerner gressoppsamleren eller åpner dekselet til utkasterrøret
  - etter at du har kjørt på en gjenstand; sjekk enheten for skader og utfør nødvendige reparasjoner før du starter og bruker maskinen igjen.
  - hvis produktet starter å vibrere unormalt (sjekk omgående)
    - Kontroller for skader, spesielt knivene
    - erstatt eller reparer enhver skadet del
    - undersøk og stram alle løse deler
- Kniven skal rotere tilnærmedesvis parallelt med underlaget den kjøres over.
- Kniven på produktet er skarpt. Vis varsomhet og bruk tykke arbeidshansker når du monterer, skifter, rengjør og sjekker hvordan skruene er festet.
- Bruk aldri produktet hvis på/av-bryteren på håndtaket ikke ordentlig for å starte og stoppe produktet.
- Du må aldri forsøke å låse På-/av-knappene i PÅ posisjon. Det er meget farlig.
- Ikke press maskinen. Den vil gjøre jobben bedre og tryggere med den hastigheten den er konstruert for.
- Stopp kniven når du krysser et gruslagt område.
- Unngå hull, hjulspor, humper, steiner og andre skjulte gjenstander. Ujevnt underlag kan føre til at man sklir og fallulykker.
- Du må alltid sjekke at motorens styrekabel ikke hekter seg fast, klemmes eller skades på annen måte under montering eller når du folder sammen håndtaket.
- Hvis man bruker verktøyet for lenge av gangen, kan det føre til eller forverre allerede eksisterende personskaade. Sørg for å ta regelmessige pauser når du bruker et produkt over lengre tid.

## EKSTRA SIKKERHETSINSTRUKSER FOR BATTERI

- For å unngå fare for en brann forårsaket av en kortslutning, av personskaader eller skader av produktet, må det forhindres at batteripakken eller laderen dyppes i væsker og også sørges for at ingen væsker kan komme inn i apparatene eller batteriene. Korroderende og ledende væsker som saltvann, visse kjemikalier og blekemidler eller produkt som inneholder blekemidler kan forårsake en kortslutning.
- Ikke kast batteripakker sammen med husholdnings søppel. De må samles inn separat og returneres til en miljøvennlig kildesortering. Spør lokale myndigheter eller utsalget for råd om resirkulering og steder for kildesortering.

## EGENSKAPER

### OVERBELASTNING OG OVEROPPHETING BESKYTTELSE

Gressklipperen er utstyrt med overbelastningsvern. Gressklipperen slår seg automatisk av når det registreres at den blir overbelastet. Hvis overbelastningsbeskytteren er aktivert, må på/av-spaken frigis. Trykk på startknappen og klem på/av-spaken (A/B) for å starte produktet på nytt. Hvis produktet fortsatt ikke slår seg på, reinstaller batteripakken.

Batteripakken har overopphetingsbeskyttelse. Høye temperaturer kan føre til at batteriet slutter å drive verktøyet. Hvis batteriet kjønes for varmt, må det få tid på å kjøle seg ned før du starter enheten igjen. Hvis verktøyet fortsatt ikke virker må batteriet lades.

**MERK:** LED-indikatoren på batteripakken vil ikke virke dersom batteriets beskyttelsesfunksjon har ført til at batteripakken har sluttet å drive verktøyet. Slå av produktet eller fjern batteripakken fra produktet, og batteripakkens LED-indikator vil gjenoppta normal funksjon.

## TELESKOPHÅNDTAK

Gressklipperen er utstyrt med et teleskophåndtak, som kan justeres for oppbevaring og drift. Trekk håndtaket ut til posisjon 1 eller 2 når du gjør gressklipperen klar for bruk. Sørg for at håndtaket er festet med håndtakets låsespak og hurtiglås. Se til at håndtaket er låst ved vertikal lagring.

## PLASS TIL TO BATTERIER

Produktet kan fungere ved bruk av både ett og to batterier. To batterier gir mer strøm, høyere effekt og forlenger kjøretiden.

## GENERELLE GRESSKLIPPINGSRÅD

Batteriets levetid er avhengig av gressets forhold, lengde og tetthet.

Juster kuttehøyden til gressklipperen slik at det er tilpasset de enkelte forhold på gressplenen som skal klippes.

- For beste resultat, kutt alltid en tredjedel eller mindre av gressets totale høyde.
- Når du kutter høyt gress, senk hastigheten på gange for å få en mer effektiv klipping og riktig utslipp av klippet gress.
- Høyere klippehøyde vil øke batteriets driftstid.

## TRANSPORT OG LAGRING

- Stopp gressklipperen, fjern isolatornøkkelen og ta ut batteriet. Påse at alle bevegelige deler har stoppet helt. La produktet kjøle seg ned før oppbevaring eller transport i et kjøretøy.
- Fjern alle fremmedelemerter fra produktet. Lagres på et kjølig, tørt og godt ventilert sted som er utilgjengelig for barn. Hold avstand til korroderende midler som havekjemikalier og avisings salt. Produktet skal ikke oppbevares utendørs.
- Hvis gressklipperen skal transporteres i et kjøretøy, må isolatornøkkelen fjernes og gressklipperen sikres mot bevegelse eller fall for å unngå personskader og skade på gressklipperen.
- Vær ekstremt forsiktig ved løfting eller skråstilling av produktet for vedlikehold, rengjøring, lagring eller transport. Kuttebladet er skarpt. Hold alle kroppsdeler unna bladet når bladet ligger åpent.

## TRANSPORTERE LITUM-BATTERIER

Transporter batterier i henhold til lokale og nasjonale lover og forskrifter.

Følg alle spesialkrav med hensyn til emballering og merking når batterier transporteres av en tredjepart. Påse at ingen batterier kan komme i kontakt med andre batterier eller ledende materialer under transporten ved å beskytte åpne kontakter med isolasjon, ikkeledende lokk eller tape. Ikke transporter batterier som er sprukne eller som lekker. Kontakt spediteøren for å få ytterligere råd.

## VEDLIKEHOLD

- Bruk kun produsentens originale reservedeler, tilleggsutstyr og påsatser. Dersom dette ikke følges, kan det forårsake personskader, dårlig funksjon og kan annullere garantien din.
- Service krever meget stor forsiktighet og kunnskap og bør utføres kun av kvalifisert teknisk personale. Få utført service på produktet kun av et autorisert servicesenter.
- Stopp gressklipperen, fjern isolatornøkkelen og ta ut batteriet. Pass på at alle bevegelige deler har stoppet fullstendig før du rengjør eller vedlikeholder gressklipperen.
- Erstatt slitte eller skadede deler av sikkerhetshensyn.
- Kontroller gressoppsamleren ofte for slitasje eller elde.
- Kontroller all mutter, bolter og skruer med jevne mellomrom at de er skrudd fast for å sikre at produktet er i driftssikker stand.
- Vær forsiktig ved justering av maskinen slik at du unngår å få fingrene i klem mellom bevegelige kniver og faste deler av maskinen.
- Når du utfører vedlikehold på bladene, vær oppmerksom på at selv om strømkilden er avslått, kan bladene fortsatt bevege seg.
- Du kan foreta justeringer og reparasjoner som er beskrevet i denne brukermanualen. For andre reparasjoner må du henvende deg til et autorisert servicesenter.
- Etter hver bruk skal plastdelene rengjøres med en myk, tørr klut. Enhver del som er skadet må repareres eller skiftes ut på fagmessig måte ved et autorisert serviceverksted.

- Kniven på produktet er skarpt. Vis varsomhet og bruk tykke arbeidshansker når du monterer, skifter, rengjør og sjekker hvordan skruene er festet.
- Knivboltene må være strammet godt til. Du finner riktig tiltrekkingsmoment for knivboltene i spesifikasjonstabellen for gressklipperen i denne håndboken.

## FJERNING AV EN BLOKKERING

- Stopp gressklipperen, fjern isolatornøkkelen og ta ut batteriet. Påse at alle bevegelige deler har stoppet helt.
- Bruk alltid kraftige arbeidshansker når en blokkering undersøkes og fjernes. Knivene er skarpe, og selve blokkeringen kan være en skarp gjenstand.
- Ta av oppsamleren. Kontroller og tøm gress-samleren for hindringer.
- Sjekk utkasterrøret og fjern eventuelle blokkeringer.
- Vend produktet på siden. Kontroller undersiden og området rundt bladet. Fjern eventuelle blokkeringer forsiktig. Husk at knivene kan bevege seg under rengjøring.

## KJENN PRODUKTET DITT

Se side 163.

1. Grensesnittkort
2. Start-knapp
3. På/av-spak
4. Teleskophåndtak
5. Brukermanual
6. Håndtakslåsespak
7. Isolatornøkkel
8. Indikator full gressbeholder
9. Kuttehøyde justeringsspak
10. Hurtigkobling
11. Gressoppsamler
12. Batteridør
13. Bakhjul
14. Forhjul
15. Mull-plugg
16. Batteri
17. Lader

## SYMBOLER PÅ PRODUKTET



Les og forstå alle instruksjoner før du betjener produktet. Følg alle advarsler og sikkerhetsanvisninger.



Bruk hørselsvern



Bruk øyebeskyttelse



Ikke bruk produktet på stigninger på mer enn 15°. Klipp gresset på tvers av skråninger, aldri opp og ned.



Ikke utsette for regn eller fuktige forhold.



Vær oppmerksom på skarpe kniver. Bladene fortsetter å rotere selv etter at motoren er slått av. Fjern isolatornøkkelen før vedlikehold.



utkastedePass opp for gjenstander som slynges ut eller flyr i luften. Hold alle tilskuere, spesielt barn og kjæledyr, på en avstand på minst 15 m fra driftsområdet.



Gå



Stopp



Avfall fra elektriske produkter skal ikke kastes sammen med husholdningsavfall. Vennligst resirkulervedeksisterende avfallsbehandlingssted. Undersøk hos dine lokale myndigheter eller forhandler for råd om resirkulering.



Europeisk samsvarsmerking



Britisk samsvarsmerking



EurAsian samsvarsmerke



Ukrainsk samsvarsmerking



Garantert lydeffektnivå



Posisjon 1 på teleskophåndtak



Posisjon 2 på teleskophåndtak



## SYMBOLER I DENNE MANUALEN



Deler eller tilbehør som er tilgjengelige separat



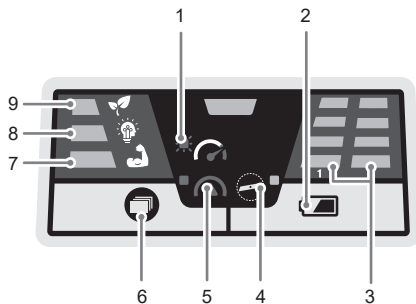
Merk



Advarsel

## OVERSIKT GRENSESNIKKORT

Grensesnittkortet viser produktets status og tilstand.



1. Høy belastning - indikerer at belastningen er for høy for gjeldende innstilling og at produktet kan stoppe. Bytt til strømmodus, øk klippehøyden eller reduser ganghastigheten.
2. Batteriladestatusknapp - trykk for å slå på batterinivåindikatoren.
3. Batterinivåindikator - viser gjenværende strømnivå i batteriene.
  - Hvis kun ett LED-lys lyser, er batteripakkekapasiteten under 25 %.
  - Hvis to LED-lys lyser, er batteripakkekapasiteten mellom 25 % and 50 %.
  - Hvis tre LED-lys lyser, er batteripakkekapasiteten mellom 50 % and 75 %.
  - Hvis fire LED-lys lyser, er batteriene fulladet. Batteripakkekapasiteten er mellom 75%-100%.
4. Indikator for kontroll av kniv - varsler om at kniven på sjekkes. Bytt ut den sløve kniven for å ha en velfungerende maskin.
5. Overbelastningsindikator - indikerer at produktet er overbelastet og at kniven kan sette seg fast.
6. Modusknapp - trykk for å endre skjæremodus.

7. Strømmodus - indikerer at kniven har høy hastighet, beregnet til tung gressklipping.
8. Smartmodus - indikerer at klipperen er i stand til å justere knivhastigheten avhengig av belastningen på produktet for generell klipping.
9. Økomodus - indikerer at kniven har lav hastighet, beregnet til lett gressklipping.

При разработке Беспроводная газонокосилка особое внимание уделялось безопасности, производительности и надежности.

## НАЗНАЧЕНИЕ

Беспроводная газонокосилка предназначена для использования только вне помещений.

Данное устройство предназначено для стрижки газонов в бытовых условиях. Это газонокосилка с пешим управлением, приводимая в движение толканием.

Во время эксплуатации изделия запрещается поднимать его над землей. Инструмент нельзя тянуть за собой и садиться на него.

Не используйте устройство для каких-либо иных целей.

## ОБЩИЕ ПРАВИЛА БЕЗОПАСНОСТИ

- Сохраните данные инструкции для последующего использования.
- Используйте инструмент только с аккумуляторными блоками, указанными в настоящем руководстве пользователя. При использовании аккумуляторного изделия необходимо соблюдать общую технику безопасности во избежание пожара, утечки электролита и травмы.

## ЛИЧНАЯ БЕЗОПАСНОСТЬ

- Никогда не позволяйте детям или людям с ограниченными физическими, сенсорными или умственными способностями, а также людям, незнакомым с этими инструкциями, работать с этим устройством, выполнять его очистку и техническое обслуживание. Местные инструкции могут ограничить возраст оператора. Не допускайте того, чтобы дети играли с этим устройством.
- Ознакомьтесь с элементами управления и правильным использованием устройства.
- Работать следует в тяжелых, длинных брюках, одежде с длинным рукавом и прочной нескользящей обуви. Не носите шорты и сандалии, также не ходите босиком. Не надевайте свободную одежду или одежду со свисающими шнурами или узлами.

- Двигайтесь с изделием поперек поверхности склонов, но не вверх и не вниз. Осуществлять чрезвычайное предостережение при изменении направления на склонах. Держать устойчивую опору и баланс. Передвигайтесь шагом, не бегайте.
- Не используйте устройство вблизи обрывов, рвов, очень крутых склонов или насыпей.
- Всегда используйте защитные очки.
- Изделие может отрезать руки и ноги, а также отбрасывать предметы. Отказ соблюдать все инструкции безопасности, может кончиться серьезным ущербом или смертью.
- Следует соблюдать осторожность, следить за своими действиями и руководствоваться здравым смыслом при работе с устройством. Не работайте с данным устройством в случае усталости, болезненного состояния или под воздействием алкоголя, наркотиков или медикаментов. Недостаточная внимательность во время работы с устройством может привести к получению серьезной травмы.

## БЕЗОПАСНОСТЬ НА РАБОЧЕМ МЕСТЕ

- Запрещается работать с устройством, если в радиусе 15 м находятся люди, особенно дети или домашние животные, потому что предметы, вылетающие от контакта с лезвием, могут привести к травмам.
- Эксплуатируйте изделие только при дневном свете или хорошем искусственном освещении.
- Не работайте с устройством во влажной траве или под дождем.
- Иметь в виду, что оператор или пользователь ответственны за несчастные случаи или опасности, встречающиеся другим людям или их собственности.
- Объекты, пораженные лезвием косилки лужайки, могут причинять серьезные повреждения людям. Тщательно осмотрите участок, где предполагается использовать газонокосилку, и уберите все камни, палки, металлические части, проволоку, кости, игрушки и другие посторонние предметы. Помните, что провода или шнуры могут запутаться в режущих деталях.

- Не используйте изделия с аккумуляторным питанием во взрывоопасной среде, например, при наличии легковоспламеняющихся жидкостей, газов или пыли. В устройстве могут образовываться искры, что может привести к воспламенению пыли или газа.
- Не используйте прибор, если есть опасность поражения молнией.
- Трагические несчастные случаи могут происходить, если оператор - не внимателен к присутствию детей. Детей часто привлекает машина и скашивающая деятельность. Никогда не предполагать, что дети останутся, там, где вы видели их.
- Работайте с особой осторожностью при приближении к углам с плохой обзорностью, кустарникам, деревьям и другим объектам, включая нависающие насаждения, которые могут закрывать обзор.

## ЭКСПЛУАТАЦИЯ УСТРОЙСТВА С АККУМУЛЯТОРНЫМ ПИТАНИЕМ И УХОД ЗА НИМ

- Прочитайте, уясните и всегда следуйте инструкции по технике безопасности, прилагаемой к батарее и зарядному устройству. Несоблюдение инструкции может привести к поражению электрическим током, пожару и другим опасным ситуациям. Храните все инструкции вместе в надежном месте для дальнейшего использования.
- Нет необходимости подключать устройства с аккумуляторным питанием в электрическую розетку, они всегда находятся в рабочем состоянии. Извлеките разъединитель, когда вы не используете изделие.
- Перед выполнением любых настроек, очисткой или удалением материала с устройства снимите аккумуляторную батарею.
- Перед установкой аккумуляторной батареи убедитесь, что ключ зажигания вынут.
- Зарядку аккумуляторной батареи следует производить только с помощью рекомендованного изготовителем зарядного устройства. Использование зарядного устройства с несовместимой аккумуляторной батареей может создать опасность возгорания. Используйте аккумуляторные батареи только с перечисленными зарядными устройствами.
- Используйте с данным устройством только предназначенные для него аккумуляторные батареи. Использование аккумуляторных батарей другого типа может привести к возгоранию, поражению электрическим током или телесным повреждениям.
- Если аккумуляторная батарея не используется, храните ее отдельно от других металлических предметов, например канцелярских скрепок, монет, ключей, гвоздей, винтов и других мелких металлических предметов, которые могут привести к замыканию контактов батареи. Замыкание полюсов батареи может привести к искрам, возгоранию, пожару или взрыву.
- Не размещайте батареи рядом с источниками огня или тепла. Это повышает риск взрыва и получения травмы.
- Не вскрывайте и не разбирайте аккумуляторную батарею. Вытекающий электролит является разъедающим веществом, которое может привести к поражению глаз или кожи. При проглатывании электролит может привести к отравлению.
- Оберегайте аккумуляторную батарею от сырости и воды. Не заряжайте устройство в условиях повышенной влажности или сырости. Соблюдение этого правила снизит риск получения удара электрическим током.
- При повреждении или ненадлежащем использовании аккумуляторной батареи из нее могут выделяться испарения. В случае появления признаков недомогания обеспечьте поступление свежего воздуха и обратитесь за врачебной помощью. Испарения могут вызвать раздражение органов дыхания.
- Не оставляйте аккумуляторные батареи внутри прибора в жарких или холодных условиях.
- Не сжигайте аккумуляторную батарею.
- При ненормальных условиях из батареи может вытечь жидкость, избегайте контакта с ней. Если этого избежать не удалось, смойте жидкость водой.

Если жидкость попала в глаза, после их промывания обратитесь за медицинской помощью. Жидкость, вытекшая из батареи, может вызвать раздражение или ожог.

## ПРЕДОСТЕРЕЖЕНИЯ ОТНОСИТЕЛЬНО БЕЗОПАСНОГО ПОЛЬЗОВАНИЯ ГАЗОНОКОСИЛКИ

- Перед использованием всегда осматривайте изделие на предмет износа и повреждения лезвий, зажимных болтов и режущего блока. Замените изношенные или поврежденные режущие лезвия и болты в комплекте, чтобы обеспечить балансировку.
- Обратитесь в авторизованный сервисный центр для замены поврежденных или нечитаемых этикеток изделия.
- Не тяните устройство назад без крайней необходимости. Если вам потребуется отодвинуть устройство от стены или иного ограждения, сначала посмотрите под ноги и назад, чтобы не повредить себе ноги при его перемещении.
- Выключите изделие и дождитесь остановки лезвия в случае, если изделие необходимо наклонить для преодоления любых поверхностей, кроме травяных, а также при его транспортировке в рабочую зону или из нее.
- Запрещается использовать изделие с дефектными щитками или экранами, а также без защитных устройств, таких как дефлекторы и травосборники.
- Запрещается наклонять изделие при запуске или во время работы двигателя. При абсолютной необходимости можно поднять переднюю часть газонокосилки для облегчения пуска не более, чем на 5 см. Для этого нажмите на ручку управления. Перед началом стрижки всегда возвращайте газонокосилку в исходное положение, при этом все колеса должны стоять на земле. При наклоне газонокосилки лезвие открывается, что увеличивает риск отбрасывания предметов и случайного соприкосновения с лезвием.
- Не запускайте изделие, стоя перед отверстием для выгрузки травы.
- При запуске изделия оператор должен находиться за ручками в безопасной зоне. Запрещается запускать устройство, если не выполнены указанные ниже условия:
  - лоток для выгрузки травы открыт и не защищен крышкой травосборника и лотка для выгрузки травы
  - оператор и другие находящиеся поблизости лица носят спецодежду, защищающую их ноги и руки от порезов
- Включите изделие, соблюдая технику безопасности и следуя инструкции, следите за тем, чтобы руки и ноги находились на безопасном расстоянии от ножей. Не держите руки или ноги вблизи вращающихся деталей или под ними. Держите свободным разгрузку, открывающейся всегда.
- Не поднимайте и не несите изделие с работающим двигателем.
- Остановите инструмент, извлеките ключ разъединителя и аккумулятор. Убедитесь в полной остановке всех движущихся деталей:
  - когда продукт оставляется без присмотра (включая выброс обрезков травы).
  - перед очисткой засора лотка для выгрузки травы
  - перед проверкой, чисткой и техобслуживанием продукта;
  - перед снятием травосборника или открыванием крышки лотка для выгрузки травы
  - после удара о посторонний предмет; осмотрите прибор на наличие повреждений и отремонтируйте по мере необходимости перед повторным запуском и эксплуатацией устройства;
  - если продукт начинает вибрировать (проверьте немедленно).
    - осмотреть на предмет повреждений, особенно лопасти
    - замените или отремонтируйте поврежденные детали
    - проверьте и, при необходимости, затяните ослабленные детали
- Режущее лезвие должно вращаться примерно параллельно поверхности, по которой перемещается газонокосилка.

- Лезвие изделия острое. Будьте предельно осторожны и выполняйте установку, замену, очистку и проверку затяжки болтов в защитных перчатках.
- Не используйте изделие, если невозможно остановить двигатель выключателем, расположенным на ручке.
- Никогда не пытайтесь заблокировать выключатели в положении «ВКЛ.», это крайне опасно.
- Не прикладывайте чрезмерных усилий при работе с данным инструментом. Лучше и безопаснее выполнить работу на той скорости, на которую устройство рассчитано.
- При пересечении участков, покрытых гравием, остановите режущее лезвие.
- Избежать отверстий, колея, ударов, камней, или других скрытых объектов. Неровный ландшафт может причинять несчастный случай промаха и падения.
- Обязательно следите за тем, чтобы шнур управления двигателем не был зацеплен, пережат и поврежден каким-либо иным образом во время сборки или складывания ручки.
- Слишком продолжительное использование инструмента может привести к травме. При длительном использовании изделия периодически делайте перерыв.

#### ТРЕБОВАНИЯ БЕЗОПАСНОСТИ ПРИ ИСПОЛЬЗОВАНИИ ДОПОЛНИТЕЛЬНОЙ АККУМУЛЯТОРНОЙ БАТАРЕИ

- Для предотвращения опасности пожара в результате короткого замыкания, травм и повреждения изделия не опускайте инструмент, сменный аккумулятор или зарядное устройство в жидкости и не допускайте попадания жидкостей внутрь устройств или аккумуляторов. Коррозионные и проводящие жидкости, такие как соленый раствор, определенные химикаты, отбеливающие средства или содержащие их продукты, могут привести к короткому замыканию.
- Не утилизируйте использованные аккумуляторные блоки вместе с бытовым мусором. Их следует собирать отдельно и сдавать на экологически

безопасное предприятие по переработке мусора. Обратитесь к местным органам власти или поставщику, чтобы получить консультацию по переработке или информацию о пунктах переработки.

#### ФУНКЦИИ ИНСТРУМЕНТА

##### ЗАЩИТА ОТ ПЕРЕГРУЗКИ И ПЕРЕГРЕВА ЗАЩИТА

Инструмент оснащен устройством защиты от перегрузки. При обнаружении перегрузки инструмент автоматически выключится. В случае срабатывания устройства защиты от перегрузки рычаг вкл./выкл. необходимо отпустить. Для повторного запуска изделия нажмите на кнопку пуска и сожмите рычаг вкл./выкл. Если изделие не включилось, извлеките и установите на место аккумуляторный блок.

Батарея оснащена защитой от перегрева. Чрезмерная температура может привести к отключению батареи инструмента. Если аккумуляторный блок чрезмерно нагрелся, перед возобновлением работы дождитесь его остывания. Если и в этом случае инструмент не работает, зарядите батарею.

**ПРИМЕЧАНИЕ:** Индикатор аккумуляторной батареи может не работать, если прекращение питания инструмента от батареи вызвано срабатыванием функции защиты батареи. Выключите изделие или извлеките аккумуляторный блок из инструмента и светодиодный индикатор аккумуляторного блока возобновит нормальную работу.

##### ТЕЛЕСКОПИЧЕСКАЯ РУЧКА

Инструмент оснащен телескопической ручкой, которая имеет два положения для хранения и эксплуатации инструмента. При подготовке инструмента к работе телескопическая ручка должна находиться в положении 1 или 2. Убедитесь в том, что рукоять зафиксирована рычагом блокировки и быстроразъемной защелкой. При вертикальном хранении убедитесь в том, что рукоять заблокирована.

##### ДВА РАЗЪЕМА ДЛЯ АККУМУЛЯТОРОВ

Изделие может функционировать при использовании одного или двух аккумуляторных блоков. Два аккумуляторных блока выдают больший ток, обеспечивают большую мощность и увеличивают время работы.

## ОБЩИЕ СОВЕТЫ ПО СКАШИВАНИЮ ТРАВЫ

Время работы батареи зависит от состояния, длины и плотности травы.

Отрегулируйте высоту срезания газонокосилки в соответствии с состоянием скашиваемого газона.

- Для лучшей производительности срежьте треть или менее от общей высоты травы.
- При сокращении длинной травы, уменьшите скорость, чтобы учесть более эффективное сокращение и надлежащую разгрузку отсечения.
- Чем больше высота среза, тем дольше будет работать батарея.

## ТРАНСПОРТИРОВКА И ХРАНЕНИЕ

- Остановите инструмент, извлеките ключ разъединителя и аккумулятор. Убедитесь в полной остановке всех движущихся деталей. Перед размещением изделия на хранение или перевозкой в транспортном средстве дождитесь его остывания.
- Очистите устройство от всех посторонних материалов. Храните его в прохладном, сухом, хорошо проветриваемом и недоступном для детей месте. Оберегайте от веществ, вызывающих коррозию, например, садовых удобрений или соли для удаления льда. Запрещается хранить изделие на улице.
- Для транспортировки на транспортном средстве снимите ключ разъединителя и зафиксируйте газонокосилку в неподвижном состоянии для защиты от передвижения и падения, чтобы предотвратить травмы персонала и повреждение инструмента.
- Соблюдайте максимальную осторожность при поднимании или наклоне изделия в целях технического обслуживания, очистки, размещения на хранение или транспортировки. Лезвие очень острое. Если лезвие оказывается открытым, держите его подальше от тела.

## ПЕРЕВОЗКА ЛИТIEВЫХ БАТАРЕЙ

Транспортировку батареи осуществляйте в соответствии местными и национальными нормами и положениями.

Следуйте всем особым требованиям к упаковке и маркировке при транспортировке батареи в сторонние организации. Проверьте, чтобы батарея не соприкасалась с другими батареями или токопроводящими материалами во время транспортировки, защитив открытые контакты с помощью изоляции, непроводящих колпачков или пленки. Не транспортируйте поврежденные или протекающие батареи. За консультацией обращайтесь в транспортно-экспедиционную компанию.

## ОБСЛУЖИВАНИЕ

- Используйте только оригинальные запчасти, аксессуары и насадки от производителя. Невыполнение этого требования может привести к травме, к снижению производительности и к аннулированию гарантии.
- Обслуживание требует чрезвычайной заботы и знания и должно быть выполнено только квалифицированным техником обслуживания. Обратитесь в авторизованный сервисный центр.
- Остановите инструмент, извлеките ключ разъединителя и аккумулятор. Перед очисткой или проведением технического обслуживания инструмента проверьте, чтобы все движущиеся детали полностью остановились.
- В целях безопасности заменяйте изношенные или поврежденные детали.
- Держать механизм в хорошем рабочем состоянии.
- Проверить все болты, задвижки, и винты, через короткие интервалы, на надлежащую плотность, чтобы убедиться, что изделие находится в безопасном, рабочем состоянии.
- При регулировке инструмента соблюдайте осторожность во избежание попадания пальцев между движущимися режущим полотном и неподвижными деталями инструмента.
- При обслуживании ножей учитывайте, что даже после отключения источника питания ножи могут продолжать вращаться.

- Вы можете также выполнить другие виды регулировки и ремонтные работы, описанные в данном руководстве. Ремонтные работы должны осуществляться только в авторизованном сервисном центре.
- После каждого использования протирайте пластиковые детали сухой тканью. В случае повреждения какой-либо детали необходимо обратиться в авторизованный сервисный центр для выполнения надлежащего ремонта или замены.
- Лезвие изделия острое. Будьте предельно осторожны и выполняйте установку, замену, очистку и проверку затяжки болтов в защитных перчатках.
- Болты крепления лезвия должны быть тщательно закручены. Рекомендованные производителем значения усилия затяжки болта крепления лезвия смотрите в технической спецификации инструмента, приведенной в настоящем Руководстве пользователя.

### ОЧИСТКА ЗАСОРЕНИЯ

- Остановите инструмент, извлеките ключ разъединителя и аккумулятор. Убедитесь в полной остановке всех движущихся деталей.
- Всегда надевайте специальные защитные перчатки при проверке и очистке засорения. Лезвия острые, блокирующий предмет также может быть острым.
- Снимите травосборник. Осмотрите травосборник и аккуратно удалите засор.
- Проверьте лоток для выгрузки травы на наличие засоров и осторожно очистите.
- Переверните изделие набок. Проверьте его дно и область вокруг лезвия. Осторожно очистите инструмент при обнаружении засоров. Помните, что лезвие может двигаться в процессе очистки.

6. Рычаг блокировки рукоятки
7. Ключ зажигания
8. Индикатор заполнения сборщика срезанной травы
9. Рычаг регулировки высоты резки
10. Быстроразъемная защелка
11. Травосборник
12. Дверца отсека батареи
13. Заднее колесо
14. Переднее колесо
15. Заглушка для мульчирования
16. Аккумулятор
17. Зарядное устройство

### УСЛОВНЫЕ ОБОЗНАЧЕНИЯ НА ПРОДУКТЕ



Перед началом работы с изделием внимательно ознакомьтесь со всеми инструкциями. Соблюдайте технику безопасности.



Следует надевать средства защиты органов слуха



Используйте средства защиты органов зрения



Воздержитесь от эксплуатации изделия под уклоном более 15°. Не коситесь поперек наклонов, никогда вверх и вниз.



Не подвергайте инструмент воздействию дождя и не используйте в условиях повышенной влажности.



Будьте предельно внимательными с острыми лезвиями. Ножи продолжают вращаться после выключения двигателя. Перед обслуживанием извлеките изоляторный ключ.



Помните об опасности, которую представляют собой отбрасываемые устройством или вылетающие из-под него предметы. Не допускайте приближения посторонних лиц, особенно детей и домашних животных к рабочей зоне ближе чем на 15 м

### ИЗУЧИТЕ УСТРОЙСТВО

См. стр. 163.

1. Интерфейсная панель
2. Кнопка пуска
3. Рычаг вкл./выкл.
4. Телескопическая ручка
5. Руководство оператора



Пуск



Стоп

Отработанная электротехническая продукция должна уничтожаться вместе с бытовыми отходами. Утилизируйте, если имеется специальное техническое оборудование. По вопросам утилизации проконсультируйтесь с местным органом власти или предприятием розничной торговли.



CE

Знак соответствия европейским стандартам

UK  
CA

Знак соответствия стандартам Великобритании

EAC

Знак Евразийского Соответствия



Знак соответствия Украины

001



Гарантируемый уровень звуковой мощности



Положение 1 на телескопической ручке



Положение 2 на телескопической ручке

## УСЛОВНЫЕ ОБОЗНАЧЕНИЯ В ДАННОМ РУКОВОДСТВЕ



Детали или принадлежности, приобретаемые отдельно



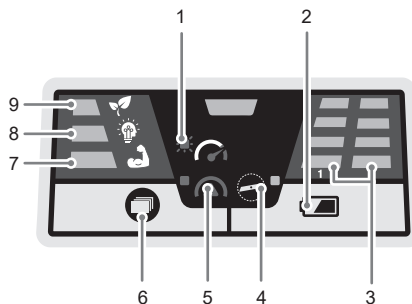
Примечание



Осторожно

## ОБЗОР ИНТЕРФЕЙСНОЙ ПАНЕЛИ

На интерфейсной панели отображается статус работы и состояние изделия.



1. Высокая нагрузка: указывает на избыточную нагрузку для текущей настройки и возможность заклинивания изделия. Переключитесь на режим мощности, увеличьте высоту резки или снизьте темп ходьбы.
2. Кнопка проверки заряда аккумулятора - при нажатии активирует индикатор заряда аккумулятора.
3. Индикатор заряда аккумулятора: указывает на уровень оставшегося заряда аккумуляторных блоков.
  - Если загорается только один светодиодный индикатор, емкость аккумуляторного блока ниже 25%.
  - Если загораются два светодиодных индикатора, емкость аккумуляторного блока: от 25% до 50%.
  - Если загораются три светодиодных индикатора, емкость аккумуляторного блока: от 50% до 75%.
  - Если загораются четыре светодиодных индикатора, аккумуляторный блок полностью заряжен. Емкость заряда аккумуляторной батареи составляет 75%-100%.
4. Индикатор проверки лезвия: указывает на необходимость проверки состояния лезвия. Для поддержания инструмента в хорошем рабочем состоянии своевременно меняйте затупившееся лезвие.
5. Индикатор перегрузки: указывает на перегрузку изделия и возможность его заклинивания.
6. Кнопка «Режим» - при нажатии меняет режим резки.



7. Режим мощности: указывает на вращение лезвия с повышенной частотой для резки жесткой травы.
8. Смарт-режим: указывает на то, что косилка будет регулировать частоту вращения лезвия с учетом нагрузки на изделие в нормальном режиме работы.
9. Эко-режим: указывает на вращение лезвия со сниженной частотой для резки тонкой травы.

### Транспортировка:

Категорически не допускается падение и любые механические воздействия на упаковку при транспортировке.

При разгрузке/погрузке не допускается использование любого вида техники, работающей по принципу зажима упаковки.

### Хранение:

Необходимо хранить в сухом месте.

Необходимо хранить вдали от источников повышенных температур и воздействия солнечных лучей.

При хранении необходимо избегать резкого перепада температур.

Хранение без упаковки не допускается.

### Срок службы изделия:

Срок службы изделия составляет 5 лет.

Не рекомендуется к эксплуатации по истечении 5 лет хранения с даты изготовления без предварительной проверки.

**Дата изготовления** (код даты) отштампован на поверхности корпуса изделия.

Пример:

W17 Y2015, где Y2015 - год изготовления

W17 – неделя изготовления

Определить месяц изготовления можно согласно приведенной ниже таблице, на примере 2015 года.

**Обратите внимание!** Количество недель в месяце различается от года в год.

Месяц	Январь	Февраль	Март	Апрель	Май	Июнь	Июль	Август	Сентябрь	Октябрь	Ноябрь	Декабрь	Год
Неделя	01	05	09	14	18	22	27	31	36	40	44	49	2015
	02	06	10	15	19	23	28	32	37	41	45	50	
	03	07	11	16	20	24	29	33	38	42	46	51	
	04	08	12	17	21	25	30	34	39	43	47	52	
	05	09	13	18	22	26	31	35	40	44	48	53	
			14			27							

- EN
- FR
- DE
- ES
- IT
- NL
- PT
- DA
- SV
- FI
- NO
- RU**
- PL
- CS
- HU
- RO
- LV
- LT
- ET
- HR
- SL
- SK
- BG
- UK
- TR

W przypadku kosiarka bezprzewodowa zwrócono szczególną uwagę na zapewnienie bezpieczeństwa, wysokiej wydajności oraz niezawodności.

## PRZEZNACZENIE URZĄDZENIA

Bezprzewodowa kosiarka do trawy przeznaczona jest do stosowania wyłącznie poza pomieszczeniami.

Urządzenie jest przeznaczone tylko i wyłącznie do koszenia trawy na przydomowych trawnikach. Jest to sterowana przez pieszego operatora kosiarka przeznaczona do ręcznego pchania.

Produkt nigdy nie może być używany, gdy koła nie mają kontaktu z ziemią. Nie należy ciągnąć kosiarki ani jeździć na niej.

Nie używać do żadnych innych celów.

## OGÓLNE OSTRZEŻENIA DOTYCZĄCE BEZPIECZEŃSTWA

- Niniejszą instrukcję należy przechowywać w bezpiecznym miejscu do późniejszego użytku.
- Używać produktu wyłącznie z akumulatorami wymienionymi w niniejszej instrukcji. Podczas korzystania z produktu zasilanego z akumulatora należy zawsze przestrzegać podstawowych zasad bezpieczeństwa, aby zmniejszyć ryzyko pożaru, wycieku z akumulatora i obrażeń ciała.

## BEZPIECZEŃSTWO OSOBISTE

- Nie wolno pozwalać obsługiwać, czyścić ani konserwować tego urządzenia dzieciom lub osobom o ograniczonych zdolnościach fizycznych, sensorycznych lub umysłowych ani osobom, które nie przeczytały tych instrukcji. Lokalne przepisy mogą ograniczać dopuszczalny wiek operatora." Należy dopilnować, aby dzieci nie bawiły się produktem.
- Należy zapoznać się z przyrządami sterowania oraz zasadami prawidłowej obsługi produktu.
- Nosić ciężkie, długie spodnie, długie rękawy, a także solidne, antypoślizgowe obuwie. Nie nosić krótkich spodni i sandałów, ani nie pracować z bosymi stopami. Unikać zakładania luźnej odzieży, ze sznurkami lub krawatem.

- Produkt należy prowadzić w poprzek zbocza, a nie pod górę lub z góry. Zachować szczególną ostrożność podczas zmiany kierunku jazdy na pochyłym terenie. Stać stabilnie, zachowując równowagę. Podczas pracy należy chodzić, nie wolno biegać.
- Nie używać produktu w pobliżu urwisk, rowów, zbyt stromych zboczy lub nabrzeży.
- Zawsze nosić okulary ochronne.
- Produkt może doprowadzić do amputacji dłoni i stóp, a ponadto może miotać przedmiotami. Nieprzestrzeganie wszelkich zasad bezpieczeństwa grozi poważnym zranieniem lub śmiercią.
- Podczas eksploatacji produktu należy być czujnym, obserwować to, co się robi i zachować rozsądek. Nie obsługiwać tego urządzenia w stanie zmęczenia, choroby, będąc pod wpływem alkoholu, środków odurzających lub leków. Utrata koncentracji podczas pracy urządzenia może spowodować poważne obrażenia ciała.

## OTOCZENIE ROBOCZE

- Nigdy nie należy używać produktu, gdy inne osoby, a w szczególności dzieci lub zwierzęta, znajdują się w zakresie 15 metrów, ponieważ występuje ryzyko odrzucenia przedmiotów na skutek kontaktu z ostrzem.
- Produkt należy obsługiwać wyłącznie przy świetle dziennym lub przy odpowiednim sztucznym oświetleniu.
- Nie używać narzędzia na mokrej trawie lub podczas deszczu.
- Należy pamiętać, że operator lub użytkownik jest odpowiedzialny za spowodowanie wypadku lub zagrożenia bezpieczeństwa osób i mienia.
- Obiekty uderzone przez tarczę tnącą mogą być przyczyną poważnego zranienia osób. Dokładnie sprawdzić obszar, na którym będzie używane urządzenie i usunąć wszystkie kamienie, gałęzie, przewody, kości, zabawki i inne przedmioty obcego pochodzenia. Należy pamiętać, że żyłka lub linka może zaplątać się o ostrze.
- Nie używać urządzenia w atmosferze wybuchowej, np. w obecności łatwopalnych cieczy, gazów i pyłów. Narzędzie może wytwarzać iskry, co może spowodować zapłon pyłu lub oparów.

- Nie wolno używać produktu, gdy występuje ryzyko burzy lub wyładowań atmosferycznych.
- Może dojść do tragicznego wypadku, jeśli operator nie zauważa obecności dzieci. Kosiarka i proces koszenia często przyciąga uwagę dzieci. Nie wolno nigdy zakładać, że dzieci pozostają tam, gdzie je ostatnio widziano.
- Zachować szczególną ostrożność w trakcie zbliżania się do narożników ograniczających widoczność, krzewów, drzew lub innych obiektów, które mogą ograniczać widoczność, w tym zwisających roślin.
- Nie umieszczać urządzeń akumulatorowych ani samych akumulatorów w pobliżu ognia lub źródeł ciepła. Przestrzeżenie tego zalecenia pozwoli zmniejszyć ryzyko eksplozji i zranienia.
- Nie otwierać i nie modyfikować akumulatora. Wyciekający elektrolit jest czynnikiem korozyjnym i może powodować urazy oczu lub skóry. W razie połknięcia może być toksyczny.
- Chronić akumulator przed wilgocią i wodą. Nie ładować akumulatora w wilgotnym lub mokrym miejscu. Przestrzeżenie tej zasady zmniejsza ryzyko porażenia prądem.

## UŻYTKOWANIE I OBSŁUGA AKUMULATORA

- Należy przeczytać, zrozumieć i zawsze przestrzegać instrukcji bezpieczeństwa dostarczonych z akumulatorem i ładowarką. W przeciwnym razie może dojść do porażenia prądem, pożaru lub innej niebezpiecznej sytuacji. Wszystkie instrukcje należy przechowywać razem w bezpiecznym miejscu w celu wykorzystania w przyszłości.
- Urządzenia akumulatorowe nie muszą być podłączone do gniazda elektrycznego i w związku z tym zawsze są gotowe do pracy. Jeśli produkt nie jest używany, należy wyjąć klucz zabezpieczający.
- Przed rozpoczęciem regulacji, czyszczenia lub usuwania materiału z urządzenia należy wyjąć akumulator.
- Przed umieszczeniem akumulatora upewnić się, że klucz odłącznika został wyciągnięty.
- Akumulator może być ładowany wyłącznie za pomocą ładowarki dostarczonej przez producenta. Użycie ładowarki z niezgodnym akumulatorem może być przyczyną pożaru. Do ładowania akumulatora stosować wyłącznie zalecaną ładowarkę.
- Używać wyłącznie akumulatora przeznaczonego do tego urządzenia. Używanie innych akumulatorów może spowodować pożar, porażenie prądem lub obrażenia ciała.
- Gdy akumulator nie jest używany, przechowywać go z dala od innych metalowych przedmiotów, np. spinaczy, monet, kluczy, gwoździ, śrub lub innych małych metalowych przedmiotów, które mogłyby utworzyć połączenie między stykami, prowadząc do zwarcia. Zwarcie styków akumulatora może spowodować iskrzenie, oparzenia, pożar lub eksplozję.

- W przypadku uszkodzenia i nieprawidłowego użytkowania akumulatora może dojść do emisji oparów. Należy udać się na świeże powietrze i w razie dolegliwości uzyskać pomoc medyczną. Opary mogą podrażnić układ oddechowy.
- Nie wolno pozostawiać akumulatora w samochodzie przy wysokiej lub niskiej temperaturze.
- Nie wolno wrzucać akumulatora do ognia.
- W przypadku niewłaściwej obsługi może dojść do wycieku płynu z akumulatora, należy unikać kontaktu z tym płynem. Miejsce ewentualnego kontaktu przepłukać wodą. W przypadku, gdy płyn dostanie się do oczu, po przemyciu zwrócić się o pomoc do lekarza. Płyn wyciekający z akumulatora może powodować podrażnienia i oparzenia.

## OSTRZEŻENIA DOTYCZĄCE BEZPIECZEŃSTWA ZWIĄZANEGO Z KOSIARKĄ

- Przed użyciem należy zawsze przeprowadzić oględziny produktu, aby upewnić się, czy noże, śruby noży i zespół koszący nie są zużyte lub uszkodzone. Wymienić zużyte lub uszkodzone całe zestawy ostrzy i śrub, aby zachować wyważenie.
- Jeśli etykiety są uszkodzone lub nieczytelne, należy zwrócić produkt do punktu serwisowego w celu wymiany etykiet.
- Nie należy ciągnąć produktu do tyłu, chyba że jest to absolutnie konieczne. Jeżeli trzeba odsunąć urządzenie do tyłu od ściany lub przeszkody, należy najpierw spojrzeć w dół i do tyłu, aby uniknąć przewrócenia lub najechania urządzeniem na swoje stopy.

- Na czas przechylenia produktu w celu transportu na powierzchniach innych niż trawa, a także na czas transportu produktu do miejsca pracy i z takiego miejsca, należy zatrzymać produkt i poczekać, aż nóż się zatrzyma.
- Nigdy nie należy używać produktu z uszkodzonymi osłonami lub bez zamontowanych zabezpieczeń, takich jak deflektory i/lub pojemniki na trawę.
- Nie przechylać produktu w trakcie włączania lub pracy silnika. Jeśli jest to absolutnie konieczne, można podnieść przód kosiarki o nie więcej niż 5 cm, aby umożliwić łatwiejszy rozruch. W tym celu należy nacisnąć uchwyt kosiarki w dół. Przed przystąpieniem do koszenia zawsze ponownie ustawić kosiarkę w normalnym położeniu, ze wszystkimi kołami na ziemi. Przechylenie kosiarki powoduje odsłonięcie noża i zwiększa prawdopodobieństwo wyrzutu przedmiotów oraz przypadkowego kontaktu z nożem.
- Nie uruchamiać produktu, stojąc przed otworem wylotowym trawy.
- Produkt można uruchomić wyłącznie wtedy, gdy użytkownik znajduje się za uchwytami w bezpiecznej strefie użytkownika. Nie wolno uruchamiać produktu, jeśli:
  - kanał wyrzutu trawy jest odsłonięty, a ponadto nie jest chroniony przez pojemnik na trawę oraz pokrywę kanału wyrzutu trawy
  - dłonie i stopy wszystkich osób znajdują się w pobliżu ostrzy
- Ostrożnie włączyć produkt zgodnie z instrukcją i trzymać dłonie oraz stopy z dala od nożów. Nie umieszczać rąk lub nóg w pobliżu lub pod częściami obrotowymi. Należy cały czas trzymać się z dala od otworów wyrzutowych.
- Nigdy nie wolno podnosić ani przenosić produktu, gdy silnik pracuje.
- Zatrzymać produkt oraz wyjąć kluczyk odłączający i akumulator. Upewnić się, że wszystkie elementy ruchome zostały całkowicie zatrzymane:
  - w przypadku pozostawiania produktu bez nadzoru (również w przypadku opróżniania kosza).
  - przed oczyszczeniem mechanizmu z blokujących go resztek lub udrożnieniem kanału wyrzutowego
- przed sprawdzeniem, czyszczeniem i użytkowaniem produktu,
- przed demontażem pojemnika na trawę lub otwarciem pokrywy kanału wyrzutowego trawy
- po uderzeniu obcego obiektu; należy sprawdzić urządzenie pod kątem uszkodzeń i w razie potrzeby dokonać niezbędnych napraw przed uruchomieniem i kontynuowaniem pracy,
- jeśli produkt zacznie wibrować w nietypowy sposób (należy natychmiast przeprowadzić kontrolę).
  - w przypadku sprawdzania stanu elementów, szczególnie ostrzy
  - wymienić lub naprawić wszystkie uszkodzone elementy
  - sprawdzić, czy nie ma obluźwionych elementów i w razie potrzeby dokręcić je
- Ostrze tnące powinno obracać się mniej więcej równoległe do podłoża, nad którym przejeżdża.
- Ostrze produktu jest ostre. Przy montażu, wymianie, czyszczeniu lub kontroli dokręcenia śrub należy zachować szczególną ostrożność i nosić grube rękawice ochronne.
- Nigdy nie wolno obsługiwać produktu, jeśli włącznik/wyłącznik na uchwycie nie działa prawidłowo i nie zapewniamy prawidłowego uruchamiania i zatrzymywania produktu.
- Nigdy nie wolno blokować włączników/wyłączników w położeniu włączenia (ON). Jest to bardzo niebezpieczne.
- Nie przeciążać urządzenia. Urządzenie będzie najwydajniejsze i najbezpieczniejsze w obsłudze, jeśli będzie używane zgodnie z zamierzonymi parametrami pracy.
- Przed przejechaniem przez podłoże zwirowe zatrzymać ostrze.
- Unikać dziur, korzeni, skał, wyrzutek terenu i innych ukrytych w trawie obiektów. Nierówny teren grozi poślizgiem i upadkiem.
- Podczas montażu lub składania uchwytu zawsze należy upewnić się, że kabel sterowania silnika nie jest przytrzaśnięty, zakleszczony lub uszkodzony w inny sposób.
- Długotrwałe użytkowanie narzędzia może spowodować obrażenia ciała lub nasilić dolegliwości zdrowotne. W przypadku długotrwałego użytkowania jakiegokolwiek produktu należy robić regularne przerwy.

## AKUMULATOR — DODATKOWE OSTRZEŻENIA DOTYCZĄCE BEZPIECZEŃSTWA

- Aby uniknąć niebezpieczeństwa pożaru, obrażeń lub uszkodzeń produktu na skutek zwarcia, nie wolno zanurzać narzędzia, akumulatora wymiennego ani ładowarki w cieczach i należy zatroszczyć się o to, aby do urządzeń i akumulatorów nie dostały się żadne ciecze. Zwarcie spowodować mogą korodujące lub przewodzące ciecze, takie jak woda morska, określone chemikalia i wybielacze lub produkty zawierające wybielacze.
- Nie wyrzucać akumulatorów razem z odpadkami komunalnymi. Akumulatory należy gromadzić osobno i zwracać do przestrzegającego przepisów o ochronie środowiska zakładu recyklingu. Porady dotyczące recyklingu i informacje dotyczące punktów zbiórki odpadów można uzyskać od władz lokalnych bądź sklepu, w którym nabyto produkt.

## FUNKCJE PRODUKTU

### ZABEZPIECZENIE PRZED PRZECIĄŻENIEM I PRZEGRZANIEM

Produkt posiada urządzenie zabezpieczające przed przeciążeniem. W przypadku wykrycia przeciążenia produkt automatycznie się wyłączy. Jeśli zabezpieczenie przed przeciążeniem zostanie wyzwolone, dźwignia włącznika/wyłącznika musi zostać zwolniona. Nacisnąć przycisk uruchamiania i ścisnąć dźwignię włącznika/wyłącznika, aby ponownie uruchomić produkt. Jeśli produkt nadal nie będzie się włączać, ponownie zamontować akumulator.

Akumulator jest wyposażony w zabezpieczenie przeciążeniowe. Nadmierna temperatura może spowodować wyłączenie elektronarzędzia przez akumulator. Jeśli akumulator jest zbyt ciepły, przed wznowieniem pracy należy poczekać, aż ostygnie. Jeśli elektronarzędzie nadal nie działa, należy naładować akumulator.

**UWAGA:** Wskaźnik LED akumulatora nie będzie świecić, jeśli układ zabezpieczający akumulator odetnie zasilanie elektronarzędzia. Wyłączyć produkt lub wyjąć akumulator z produktu, a wskaźnik LED akumulatora ponownie zacznie prawidłowo działać.

## UCHWYT TELESKOPOWY

Produkt wyposażony jest w teleskopowy uchwyt, który można regulować na długość odpowiednią do przechowywania lub obsługi. W trakcie przygotowywania produktu do użycia należy wysunąć uchwyt teleskopowy do położenia 1 lub 2. Należy upewnić się, że uchwyt został zabezpieczony dźwignią blokującą i łącznikiem szybko zwalnającym. Przed rozpoczęciem przechowywania w pozycji pionowej należy upewnić się, że uchwyt jest zablokowany.

## DWA GNIAZDA AKUMULATORA

Produkt może działać z pojedynczymi lub podwójnymi pakietami akumulatorów. Pakiety dwóch akumulatorów dostarczają wyższy prąd, wyższą moc oraz przyczyniają się do wydłużenia czasu pracy.

## PODSTAWOWE WSKAZÓWKI DOTYCZĄCE KOSZENIA TRAWY

Czas pracy akumulatora zależy od stanu, długości i gęstości trawy.

Ustawić wysokość cięcia kosiarki z uwzględnieniem stanu koszonego trawnika.

- Aby utrzymać trawnik w doskonałym stanie, zawsze należy ścinać maksymalnie jedną trzecią całkowitej wysokości trawy.
- Podczas koszenia wysokiej trawy, należy zmniejszyć prędkość przesuwu co pozwoli zwiększyć efektywność koszenia i zapewni prawidłowe wyrzucanie skoszonej trawy.
- Wyższe ustawienie wysokości koszenia wydłuży żywotność akumulatora.

## TRANSPORT I PRZECHOWYWANIE

- Zatrzymać produkt oraz wyjąć kluczyk odłączający i akumulator. Upewnić się, że wszystkie elementy ruchome zostały całkowicie zatrzymane. Przed rozpoczęciem składowania lub przewozu pojazdem poczekać, aż produkt ostygnie.
- Usunąć z produktu wszelkie zanieczyszczenia. Należy przechowywać urządzenie w chłodnym, suchym i dobrze wentylowanym miejscu, które jest niedostępne dla dzieci. Nie przechowywać urządzenia wraz z materiałami korozyjnymi, takimi jak ogrodowe substancje chemiczne lub sól odmrażająca. Nie przechowywać produktu poza pomieszczeniami.

- Na czas transportu w pojeździe wyjąć kluczyk rozłączający i zabezpieczyć produkt przed przemieszczaniem się lub upadkiem w celu zapobieżenia obrażeniom osób lub uszkodzeniu produktu.
- Należy zachować szczególną ostrożność podczas podnoszenia lub przechylania produktu w celu konserwacji, czyszczenia, przechowywania lub transportu. Ostrze jest ostre. Gdy ostrze jest odkryte, nie wolno zbliżać do niego żadnych części ciała.

## TRANSPORTOWANIE AKUMULATORÓW LITOWYCH

Akumulatory należy transportować zgodnie z lokalnymi i krajowymi przepisami i regulacjami.

Należy postępować zgodnie z wszystkimi specjalnymi wymaganiami dotyczącymi pakowania i etykietowania akumulatorów podczas transportu przez stronę trzecią. Upewnij się, że żadne akumulatory nie zetkną się z innymi akumulatorami lub materiałami przewodzącymi podczas transportu; w tym celu należy zabezpieczyć odkryte złącza nieprzewodzącymi nakładkami izolacyjnymi lub taśmą izolacyjną. Nie należy transportować pękniętych ani nieszczelnych akumulatorów. Szczegółowe porady można uzyskać w firmie spedycyjnej.

## KONSERWACJA

- Należy stosować wyłącznie oryginalne części zamienne, akcesoria oraz przystawki producenta. W przeciwnym razie może dość do obrażeń ciała, niskiej wydajności oraz do unieważnienia gwarancji.
- Serwisowanie wymaga wyjątkowej staranności i wiedzy. Może być wykonywane wyłącznie przez wykwalifikowany personel serwisowy. Serwisowanie należy powierzać wyłącznie autoryzowanemu serwisowi.
- Zatrzymać produkt oraz wyjąć kluczyk odłączający i akumulator. Przed przystąpieniem do czyszczenia lub konserwacji zawsze upewnić się, że wszystkie części ruchome całkowicie się zatrzymały.
- Ze względów bezpieczeństwa, należy wymieniać elementy zużyte lub uszkodzone.
- Systematycznie kontrolować zbiornik na trawę na oznaki zużycia lub uszkodzenia.
- Systematycznie sprawdzać, czy wszystkie nakrętki, wkręty i śruby są dobrze dokręcone, aby upewnić się, że produkt jest w bezpiecznym stanie.

- Zachować ostrożność podczas regulacji urządzenia, aby uniknąć pochwycenia palców między ruchomymi ostrzami a elementami stałymi urządzenia.
- Podczas serwisowania noży należy pamiętać, że nawet przy wyłączonej źródle zasilania można je przemieszczać.
- Możesz wykonywać czynności regulacyjne i naprawcze opisane w tej instrukcji obsługi. W przypadku innych napraw produkt należy oddawać wyłącznie do autoryzowanych serwisów.
- Po każdym użyciu oczyścić części z tworzywa sztucznego czystą, suchą szmatą. Każdą uszkodzoną część należy odpowiednio naprawić lub wymienić w autoryzowanym punkcie serwisowym.
- Ostrze produktu jest ostre. Przy montażu, wymianie, czyszczeniu lub kontroli dokręcenia śrub należy zachować szczególną ostrożność i nosić grube rękawice ochronne.
- Śruby noża muszą być odpowiednio dokręcone. Należy zapoznać się z zaleceniami producenta dotyczącymi momentu obrotowego dokręcania śruby noża, które można znaleźć w tabeli ze specyfikacją produktu w niniejszej instrukcji.

## USUWANIE ZABLOKOWANYCH ELEMENTÓW

- Zatrzymać produkt oraz wyjąć kluczyk odłączający i akumulator. Upewnić się, że wszystkie elementy ruchome zostały całkowicie zatrzymane.
- Przed sprawdzeniem stanu i usuwaniem zablokowanych materiałów zawsze należy zakładać grube rękawice ochronne. Noże są ostre, a przyczyną blokady również może być ostry przedmiot.
- Zdemontować kosz na trawę. Sprawdzić pojemnik na trawę pod kątem braku zatorów, a także ostrożnie usunąć ewentualne zatory.
- Sprawdzić kanał wyrzutu trawy pod kątem braku blokad i ostrożnie go oczyścić.
- Położyć produkt na boku. Sprawdzić spód oraz powierzchnie w pobliżu noża. Ostrożnie usunąć wszelkie znalezione blokady. Należy pamiętać, że nóż może przemieszczać się w trakcie czyszczenia.

## POZNAJ SWÓJ PRODUKT

Patrz str. 163.

1. Ekran interfejsu
2. Przycisk uruchamiania
3. Dźwignia włącznika/wyłącznika
4. Uchwyt teleskopowy
5. Instrukcja obsługi
6. Dźwignia blokady uchwytu
7. Klucz odłącznika
8. Wskaźnik pełnego kosza trawy
9. Dźwignia regulacji wysokości koszenia
10. Szybkozłącze
11. Kosz na trawę
12. Drzwi akumulatora
13. Koło tylne
14. Koło przednie
15. Korek ściółkowania
16. Akumulator
17. Ładowarka

## SYMBOLE PRODUKTU



Przed przystąpieniem do obsługi produktu należy przeczytać ze zrozumieniem wszystkie instrukcje. Należy przestrzegać wszystkich ostrzeżeń i instrukcji dotyczących bezpieczeństwa.



Nosić środki ochrony słuchu



Zakładać środki ochrony wzroku



Nie używać produktu na stokach o nachyleniu powyżej 15°. Pochyłe tereny należy kosić wzdłuż zbocza, nigdy do góry i w dół.



Nie wystawiać urządzenia na działanie deszczu ani nie używać w miejscach o dużej wilgotności.



Uwaga na ostre ostrza. Po wyłączeniu silnika noże nadal się obracają. Przed rozpoczęciem konserwacji wyjąć kluczyk rozłączający.



Uwaga na odrzucane przedmioty. Dopilnować, aby wszyscy gapie — zwłaszcza dzieci, a także zwierzęta — znajdowali się co najmniej 15 m od obszaru pracy.



Jedź



Zatrzymaj



Zużyte produkty elektryczne nie powinny być utylizowane z odpadami domowymi. Prosimy poddawać recyklingowi w odpowiednich miejscach. Informacje o właściwych metodach recyklingu można uzyskać u władz lokalnych lub sprzedawcy.



Symbol zgodności z przepisami europejskimi



Symbol zgodności z przepisami brytyjskimi



Oznaczenie zgodności EurAsian



Symbol zgodności z przepisami ukraińskimi



Gwarantowany poziom mocy akustycznej



Położenie 1 na uchwycie teleskopowym



Położenie 2 na uchwycie teleskopowym

## SYMBOLE STOSOWANE W NINIEJSZEJ INSTRUKCJI



Części lub akcesoria sprzedawane osobno



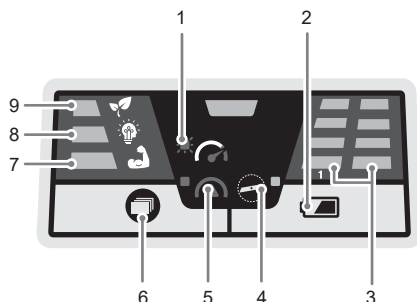
Uwaga



Ostrzeżenie!

## INFORMACJE OGÓLNE O EKRANIE INTERFEJSU

Na ekranie interfejsu wyświetlany jest status i stan produktu.



1. Wysokie obciążenie — wskazuje, że obciążenie jest zbyt wysokie przy obecnym ustawieniu i produkt może się zatrzymać. Należy przełączyć w tryb mocy, zwiększyć wysokość koszenia lub zmniejszyć prędkość popychania kosiarki.
2. Przycisk stanu naładowania akumulatora - po naciśnięciu włącza wskaźnik poziomu naładowania akumulatora.
3. Wskaźnik poziom naładowania akumulatora — wskazuje, ile energii pozostało w pakiecie akumulatorów.
  - Jeżeli świeci się tylko jedna dioda LED, pojemność akumulatora jest niższa niż 25%.
  - Jeżeli świecą się dwie diody LED, pojemność akumulatora wynosi od 25% do 50%.
  - Jeżeli świecą się trzy diody LED, pojemność akumulatora wynosi od 50% do 75%.
  - Jeżeli świecą się cztery diody LED, pakiet akumulatorów jest całkowicie naładowany. Stopień naładowania akumulatora wynosi 75%-100%.
4. Wskaźnik noża — wskazuje, że należy skontrolować stan noża. Wymienić tępy nóż, aby utrzymać produkt w stanie umożliwiającym prawidłową pracę.
5. Wskaźnik przeciążenia — wskazuje, że produkt jest przeciążony oraz że nóż może być zablokowany.
6. Przycisk trybu – po naciśnięciu zmienia tryb koszenia produktu.
7. Tryb mocy — wskazuje, że nóż pracuje z wysoką prędkością (koszenie gęstej trawy).
8. Tryb inteligentny — wskazuje, że podczas zwykłego koszenia kosiarka może dostosowywać prędkość pracy noża do obciążenia.
9. Tryb ekologiczny — wskazuje, że nóż pracuje z niską prędkością (koszenie rzadkiej trawy).



V provedení této akumulátorové sekačky hrají hlavní roli bezpečnost, provozní vlastnosti a spolehlivost.

## ZAMÝŠLENÉ POUŽITÍ

Akumulátorová sekačka je určena pouze k venkovnímu použití.

Tento výrobek je určen jen pro domácí sečení trávy. Pojezd této sekačky je ovládán chůzí při ručním tlačení.

Výrobek se nesmí provozovat s koly nad zemí. Sekačku nesmíte tahat ani na ní jezdit.

Přístroj nepoužívejte ji k jiným účelům.

## VŠEOBECNÁ BEZPEČNOSTNÍ VAROVÁNÍ

- Tyto pokyny uschovejte pro příští použití.
- Výrobek používejte pouze s baterií uvedenou v této příručce. Při používání produktu na baterie je vždy nutno dodržovat základní bezpečnostní doporučení, aby se zabránilo riziku požáru, vytečení baterií a úrazu osob.

## OSOBNÍ BEZPEČNOST

- Produkt není určen pro používání osobami, včetně dětí se sníženými tělesnými, smyslovými nebo duševními schopnostmi nebo s nedostatkem zkušeností a znalostí, pokud neprošli školením ohledně používání, čištění či údržby. Místní předpisy mohou omezovat dobu obsluhy. Dohlédněte, aby si děti se spotřebičem nehrály.
- Seznamte se s ovládáním a řádným používáním nástroje.
- Používejte pevné dlouhé kalhoty, dlouhé rukávy a pevnou protiskluzovou obuv. Nenoste krátké kalhoty ani sandály, nebuďte naboso. Zamezte nošení volných oděvů, nebo které mají vlající šňůrky nebo pásky.
- Na strmých svazích používejte výrobek po vrstevnicích, nikdy ve směru nahoru a dolů. Je třeba opatrnosti, když měníte směr na svahu. Udržujte bezpečné postavení a rovnováhu. Chodte, nikdy neběhejte.
- Nesečte v blízkosti srázů, prudkých svahů, příkopů nebo hrází.
- Vždy noste ochranné brýle.
- Tato sekačka na trávu může amputovat končetiny a odmršťovat předměty.

Pochybení při dodržování všech bezpečnostních pokynů tak může způsobit úraz nebo usmrcení.

- Buďte ve střehu, hlídejte, co děláte a používejte zdravý rozum při provozu tohoto výrobku. Nepoužívejte, pokud jste unaveni nebo pod vlivem drog, alkoholu nebo léků. Chvilce nepozornosti při práci s tímto výrobkem může zapříčinit vážná osobní poranění.

## PRACOVNÍ PROSTŘEDÍ

- Nikdy nepoužívejte výrobek, když se lidé, zejména děti, nebo domácí zvířata, zdržují do vzdálenosti 15 m od sekačky z důvodu nebezpečí vymrštění předmětů kontaktovaných nožem.
- Používejte výrobek pouze ve dne nebo v dobrém umělém osvětlení.
- Nepoužívejte stroj v dešti nebo ve vlhké trávě.
- Uživatel nebo obsluha tohoto zahradnického nástroje je zodpovědná za nehody nebo nebezpečí způsobená na jiné osobě nebo jejich majetku.
- Předměty vymrštěné nožem sekačky mohou způsobit vážná poranění osob. Řádně prohlédněte oblast, kde se má nástroj používat a odstraňte všechny kameny, kůly, kovy dráty, kosti, hračky a cizí předměty. Nezapomeňte, že se může zamotat do žacího zařízení řetěz nebo drát.
- Nepracujte s tímto strojem ve výbušných prostředích, například v přítomnosti hořlavých kapalin, plynů nebo prachu. Nástroj vytváří jiskry, které mohou zapálit prach nebo výpary.
- Zařízení nepoužívejte, hrozí-li nebezpečí blesku.
- Mohou nastat tragické nehody, pokud není obsluha upozorněna na přítomnost dětí. Děti jsou strojem a sekáním často zaujaty. Nikdy nespolehejte na to, že děti zůstanou tam, kde jste je naposledy viděli.
- Dbejte zvýšené pozornosti při sekání nepřehledných koutů, keřů, stromů a jiných předmětů včetně převislých keřů, které vám mohou zaclánět ve výhledu.

## POUŽITÍ A PÉČE O NÁSTROJ NA BATERIE

- Přečtěte, pochopte a vždy dodržujte bezpečnostní pokyny dodané k akumulátoru a nabíječce. Nedodržování těchto pokynů může způsobit úraz elektřinou, požár či jiná nebezpečí. Tento návod k používání uložte na bezpečném místě k pozdějšímu nahlášení.
- Přístroje na akumulátory se nepřipojují do elektrické sítě; proto jsou vždy v provozním stavu. Odeberte odpojovací klíč, když nepracujete s výrobkem.
- Před prováděním jakékoliv údržby, seřizováním, odstraňováním materiálu nebo před čištěním výrobku vytáhněte akumulátor.
- Zkontrolujte, že je odpojovací klíč před vložením akumulátoru vyjmut.
- Dobíjejte akumulátor pouze nabíječkou určenou výrobcem. Použití nekompatibilní baterie s nabíječkou může způsobit nebezpečí požáru. Akumulátor používejte pouze s nabíječkou v seznamu.
- Výrobek používejte pouze s přesně určeným akumulátorem. Použití jakéhokoliv jiného akumulátoru může způsobit nebezpečí poranění, úrazu elektřinou a požáru.
- Pokud akumulátor nepoužíváte, uchovávejte jej mimo kovové předměty jako svorky pro papír, mince, klíče, hřebíky, šrouby nebo jiné malé kovové předměty, které mohou vytvořit propojení jednoho vývodu s druhým. Zkratování svorek akumulátorové sady může vést k jiskření, popáleninám, požáru nebo výbuchu.
- Neumísťujte přístroje na baterie nebo jeho baterie blízko ohně nebo tepla. Tím se zvyšuje riziko výbuchu a možného zranění.
- Baterii nerozebírejte ani nedeformujte. Uniklý elektrolyt je korozivní a může poškozovat oči neb kůži. Může ublížit, spolkne-li se.
- Nevystavujte akumulátor působení vlhkosti a vody. Nástroj na baterie nenabíjejte ve vlhkých ani mokřých prostředích. Tím se sníží riziko elektrického šoku.
- V případě poškození a nesprávného používání baterie mohou unikat výpary. Zajistěte čerstvý vzduch a v případě komplikací vyhledejte lékařskou pomoc. Výpary mohou dráždit dýchací systém.

- Nenechávejte akumulátorovou sadu uvnitř vozidla v horkém nebo chladném prostředí.
- Baterii nepalte.
- Za nevhodných podmínek může z baterie vytékat kapalina; zabraňte kontaktu. Pokud dojde k náhodnému kontaktu, omyjte vodou. Pokud kapalina přijde do kontaktu s očima, ihned vyhledejte lékařskou pomoc. Kapalina vytečená z baterie způsobit podráždění nebo popáleniny.

## BEZPEČNOSTNÍ VAROVÁNÍ K SEKAČCE TRÁVY

- Před použitím přístroje vždy proveďte jeho vizuální kontrolu a zjistěte, zda nejsou opotřebené nebo poškozeny nože, šrouby nožů a sestava obrubovače. Vyměňte opotřebované nebo poškozené nože a šrouby, abyste zachovali rovnováhu.
- Chcete-li vyměnit poškozené nebo nečitelné štítky, předejte zařízení do autorizovaného servisního střediska.
- Nikdy netahejte za produkt směrem dozadu, pokud to není nutné. Pokud musíte couvat se sekačkou, vždy se nejprve podívejte dolů a za sebe, zabráníte upadnutí nebo njetí sekačky na vaše nohy.
- Vypněte přístroj a nechte nůž zastavit, pokud je potřeba přístroj naklonit při přejíždění jiných povrchů než zatrávněných a při jeho přenášení.
- Přístroj nikdy nepoužívejte s vadnými ochrannými kryty nebo štíty, ani bez ochranných zařízení, například bez nasazených deflektorů a sběrného koše.
- Při spouštění motoru, nebo pokud je motor v chodu, výrobek nenaklápějte. Pokud je to nutné, můžete zvednout přední část sekačky do výšky až 5 cm pro snadnější nastartování. Toto provedete stlačením madla. Vždy před sekáním vraťte sekačku do normální polohy se všemi koly na zemi. Při naklonění sekačky se odhalí nůž a zvyšuje se pravděpodobnost odhození předmětů a může dojít k náhodnému kontaktu s nožem.
- Nezapínejte přístroj, pokud někdo stojí před otvorem výhozu trávy.
- Výrobek se musí spouštět uživatelem za říditkami v bezpečné zóně obsluhy. Nikdy nezapínejte výrobek, pokud:
  - výhoz není zakrytý a není chráněn sběrným košem ani krytem

- ruce a nohy všech osob nejsou vzdáleny od uzávěru řezného prostoru
- Sekačku zapínejte opatrně podle pokynů, přičemž udržujte nohy a ruce z dosahu nožů. Nemějte své ruce nebo nohy v blízkosti nebo pod rotujícími díly. Vždy udržujte výstupní otvory čisté.
- Nikdy výrobek nepřevracujte ani nepřenášejte, pokud je motor v chodu.
- Zastavte výrobek, vyjměte klíč izolátoru a baterii. Ujistěte se, že se zastavily všechny pohyblivé díly:
  - kdykoli necháte produkt bez dozoru (včetně likvidace posečené trávy).
  - před čištěním nánosů nebo vyprázdněním výhozu
  - před kontrolou, čištěním nebo prací na nástroji,
  - před vyjmutím sběrného koše nebo otevřením krytu vyprázdnění výhozu trávy
  - po nárazu cizího předmětu; prohlédněte přístroj na poškození a proveďte opravy před restartem a obsluhou stroje.
  - pokud stroj začne abnormálně vibrovat (ihned zkontrolujte)
    - zjistěte škody, zejména na nožích
    - výměna a oprava všech poškozených dílů
    - zkontrolujte a utáhněte všechny volné části
- Sekací nůž se musí otáčet víceméně rovnoměrně s plochou země, po které se jede.
- Nůž sekačky je velmi ostrý. Buďte velmi opatrní a noste silné rukavice při výměně, čištění, upevňování či kontrole zajištění šroubu.
- Nikdy nepoužívejte výrobek, pokud přepínač on/off (zap/vyp) na řídicích správně nespouští a nezastavuje produkt.
- Nikdy se nepokoušejte blokovat spínač zapnout/vypnout v poloze ZAPNUTO; je to velmi nebezpečné.
- Nepoužívejte nadměrnou sílu na nástroj. Nástroj bude svou práci provádět lépe a bezpečněji při určeném přísunu materiálu, pro který byl navržen.
- Zastavte nůž, když přejíždíte kamenité plochy.
- Vyhybejte se díram, vyjetým kolejm, vyvýšeninám, kamenům nebo jiným skrytým předmětům. Nerovný terén může způsobit uklouznutí a pád.
- Vždy se ujistěte, že kabel ovládání motoru není nikdy zachycen, přimáčknut nebo jinak poškozen během montáže nebo při skládání rukojeti.
- Poranění mohou být způsobena, či zhoršena, prodlouženým používáním nástroje. Používáte-li tento přístroj delší dobu, zajišťujte pravidelné přestávky.

### DOPLŇUJÍCÍ BEZPEČNOSTNÍ UPOZORNĚNÍ K BATERII

- Abyste zabránili nebezpečí požáru způsobeného zkratem, poraněním nebo poškozením výrobku, neponožujte nářadí, výměnnou baterii nebo nabíječku do kapaliny a zajistěte, aby do zařízení a akumulátorů nevnikly žádné tekutiny. Korodující nebo vodivé kapaliny, jako je slaná voda, určité chemikálie a bělicí prostředky nebo výrobky, které obsahují bělidlo, mohou způsobit zkrat.
- Baterie nevhazujte do domácího odpadu. Musí se shromažďovat zvlášť a vrátit do ekologického recyklačního zařízení. Informace o sběrných místech a recyklaci baterií vám poskytne místní úřad nebo prodejce.

### VLASTNOSTI VÝROBKU

#### PŘETÍŽENÍ A OCHRANA PROTI PŘEHŘÁTÍ

Výrobek obsahuje zařízení na ochranu před přetížením. Při zjištění přetížení se výrobek automaticky vypne. Při aktivování ochrany proti přetížení je nutné uvolnit páčku chodu. Sekačku restartujete stisknutím startovacího tlačítka a následně páčky chodu. Pokud se sekačka stále nespustí, vyjměte a vraťte baterii.

Akumulátor má ochranu proti přehřátí. Nadměrné teploty způsobují, že baterie přestane napájet přístroj. Je-li akumulátor příliš horký, nechte jej před započatím další práce zchladnout. Pokud zařízení stále nefunguje, je třeba akumulátor nabít.

**POZNÁMKA:** LED indikační světlo baterie nefunguje, pokud ochranná funkce baterie zapříčinila, že baterie přestane napájet přístroj. Sekačku vypněte nebo z ní vyjměte baterii a funkce kontrolky LED baterie se obnoví.

## VYSUNOVACÍ MADLO

Výrobek je vybaven vysunovacím madlem, které můžete nastavit pro skladování a používání. Vysunovací madlo musí být před použitím produktu vysunuté do polohy 1 nebo 2. Ujistěte se, že je madlo zajištěno uzamykací páčkou a rychlounvolňovacím upínadlem. Ujistěte se, že je rukojeť při uložení ve svislé poloze zajištěna.

## DVA SLOTSY NA AKUMULÁTORY

Tento produkt může být provozován s jedním nebo dvěma akumulátory. Dva akumulátory dodávají vyšší proud, poskytují vyšší výkon a delší dobu provozu.

## OBECNÉ RADY PRO SEČENÍ

Životnost baterie závisí na podmínkách, délce a hustotě trávy.

Seřídte výšku sečení sekačky vhodně k aktuálním podmínkám sečení.

- Pro nejlepší výkon vždy posekejte třetinu nebo méně výšky trávy.
- Když sečete vysokou travu, snižte rychlost chůze pro zefektivnění sečení a správné vysypávání odřezků.
- Vysoká výška sečení prodlouží dobu sečení.

## TRANSPORT A SKLADOVÁNÍ

- Zastavte výrobek, vyjměte klíč izolátoru a baterii. Ujistěte se, že se zastavily všechny pohyblivé díly. Před uložením nebo převážením ve vozidle nechte nástroj vychladnout.
- Odstraňte z výrobku všechny cizí materiály. Ukládejte v chladných, suchých a dobře větraných prostorech, které nejsou přístupné dětem. Udržujte produkt mimo korozivní materiály, například zahrádkářské chemikálie a rozmrazovací soli. Výrobek neskladujte venku.
- Pro převoz ve vozidlech vyjměte klíč izolátoru a zajistěte výrobek proti pohybu nebo spadnutí, aby nedošlo k úrazu, poškození výrobku nebo úniku paliva.
- Pozorně se soustředte při zvedání nebo naklánění přístroje kvůli údržbě, čištění, uložení nebo transportu. Nůž je velmi ostrý. Udržujte všechny části těla mimo vystavený nůž.

## TRANSPORT LITHIOVÝCH BATERIÍ

Přenos baterií dle místních a národních opatření a předpisů.

Dodržujte všechny zvláštní požadavky na balení a značení při transportu baterií třetí stranou. Zajistěte, aby žádné baterie nepřišly do kontaktu s jinými bateriemi nebo vodivými materiály při transportu pomocí ochrany nekrytých kontaktů prostřednictvím izolace, nevodivých krytek či lepicích pásek. Nepřepravujte prasklé nebo baterie s unikajícím elektrolytem. Ptejte se u zásilkové společnosti na další radu.

## ÚDRŽBA

- Používejte pouze originální příslušenství, doplňky a náhradní díly výrobce. Zanedbání může zapříčinit možné poranění, slabý výkon a může dojít ke ztrátě záruky.
- Údržba vyžaduje extrémní péči a znalosti a měla by být prováděna pouze kvalifikovaným servisním technikem. Výrobek nechte opravit pouze v pověřeném servisu.
- Zastavte výrobek, vyjměte klíč izolátoru a baterii. Veškeré pohyblivé části se před jakoukoliv očištěním nebo údržbou musejí kompletně zastavit.
- Z důvodu bezpečnosti vyměňte opotřebované nebo poškozené díly.
- Lapač trávy často kontrolujte na opotřebení nebo poškození.
- Zkontrolujte všechny šrouby, matice v častých intervalech na řádné utažení, aby se zajistilo, že výrobek bude pracovat v bezpečných pracovních podmínkách.
- Buďte opatrní při seřizování stroje, aby se vám nezachytily prsty mezi pohybující nože a upevněné díly stroje.
- Při provádění úkonů na nožích dávejte pozor, protože se mohou pohybovat i při vypnutém napájení.
- Můžete provádět v návodu k obsluze uvedené opravy a seřízení. Jiné opravy výrobku svěřte pouze pověřenému servisnímu středisku.
- Po každém použití očištěte měkkým a suchým hadříkem plastové díly. Jakýkoliv poškozený díl je nutné správně opravit nebo nechat vyměnit v autorizovaném servisním středisku.

- Nůž sekačky je velmi ostrý. Buďte velmi opatrní a noste silné rukavice při výměně, čištění, upevňování či kontrole zajištění šroubu.
- Šrouby nože musejí být přiměřeně utažené. Řiďte se doporučením výrobce pro točivý moment nože, které najdete v tabulce specifikací výrobku v tomto manuálu.

### ODSTRANĚNÍ PŘÍČINY ZABLOKOVÁNÍ

- Zastavte výrobek, vyjměte klíč izolátoru a baterii. Ujistěte se, že se zastavily všechny pohyblivé díly.
- Vždy použijte odolné ochranné rukavice při kontrole a odstraňování ucpání. Čepele jsou ostré a ostrý může být i předmět způsobující zablokování.
- Sejměte lapač na trávu. Zkontrolujte a opatrně odstraňte překážky ve sběrném koši.
- Zkontrolujte, zda nejsou nějaké překážky u výhozu a opatrně je odstraňte.
- Otočte přístroj na stranu. Zkontrolujte sekačku zespodu a v okolí nože. Opatrně odstraňte jakékoliv ucpání. Nezapomeňte, že nůž se při čištění může pohybovat.

### POZNEJTE SVŮJ NÁSTROJ

Viz strana 163.

1. Ovládací panel
2. Tlačítko spuštění
3. Páčka chodu
4. Vysunovací madlo
5. Návod k obsluze
6. Páčka aretace rukojeti
7. Odpojovací klíč
8. Indikátor naplnění
9. Páka seřízení výšky sečení
10. Rychlounvolňovací upínadlo
11. Lapač trávy
12. Dvířka pro baterie
13. Zadní kolo
14. Přední kolo
15. Mulčovací zásuvka
16. Baterie
17. Nabíječka

### SYMBOLY NA VÝROBKU



Před používáním výrobku se obeznamte se všemi pokyny. Dbejte na všechna upozornění a dodržujte bezpečnostní pokyny.



Noste ochranu sluchu



Noste ochranu očí



Přístroj nepoužívejte při sklonu nad 15°. Na strmých svazích seče po vrstevnicích, nikdy ve směru nahoru a dolů.



Nevystavujte dešti nebo nepoužívejte ve vlhkých podmínkách.



Uvědomte si nebezpečí z ostrých nožů. Nože se otáčí i po vypnutí motoru. Před prováděním údržby vyjměte odpojovací klíč.



Dávejte pozor na odmrštěné nebo odletující předměty. V okruhu nejméně 15 m od pracovního prostoru se nesmí vyskytovat žádní přihlížející, zejména děti a zvířata.



Přejít



Vypnuto



Odpad elektrických výrobků se nesmí likvidovat v domovním odpadu. Recyklujte prosím na sběrných místech. Ptejte se u místních úřadů nebo prodejce na postup při recyklaci.



Značka shody s evropskými normami



Značka shody s britskými normami



Euroasijská značka shody



Značka shody s ukrajinskými normami



Zaručená hladina akustického výkonu



Pozice 1 na vysouvacím madlu



Pozice 2 na vysouvacím madlu

## SYMBOLY V NÁVODU



Díly nebo příslušenství jsou v prodeji samostatně



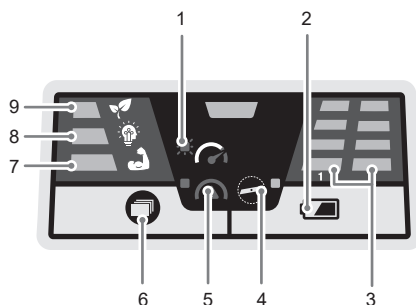
Poznámka



Varování

## PŘEHLED OVLÁDACÍHO PANELU

Ovládací panel ukazuje stav a kondici produktu.



- Indikátor kontroly nože – indikuje, že nůž musí být zkontrolován. Vyměňte tupý nůž a tím udržujte výrobek v dobrém provozním stavu.
- Indikátor přetížení – indikuje, že přístroj je přetížen a nůž se může zaseknout.
- Tlačítko režimu – po stisknutí změní režim sekání.
- Režim zvýšeného výkonu – indikuje, že nůž má vysoké otáčky potřebné k sekání husté trávy.
- Chytrý režim – indikuje, že sekačka dokáže při běžném sekání seřadit otáčky nože podle zatížení přístroje.
- Ekonomický režim – indikuje, že nůž má nízké otáčky postačující k sekání řídké trávy.

- Vysoké zatížení – označuje, že zatížení je na nastavení proudu příliš vysoké a že se přístroj může zablokovat. Vypněte přístroj, zvýšte výšku pokosu nebo snižte rychlost chůze.
- Tlačítko stavu dobíjení akumulátoru - po stisknutí spouští indikátor stavu baterie.
- Indikátor stavu baterie – indikuje stav nabití akumulátorů.
  - Svítili-li jedna LED, poklesla kapacita akumulátoru pod 25 %.
  - Svítili-li dvě LED, kapacita akumulátoru je mezi 25 a 50 %.
  - Svítili-li tři LED, kapacita akumulátoru je mezi 50 a 75 %.
  - Svítili-li čtyři LED, akumulátor je plně nabit. Akumulátor má kapacitu mezi 75%-100%.

Az akkumulátoros fűnyíró tervezése során elsődleges szempont volt a biztonság, a teljesítmény és a megbízhatóság.

## RENDELTETTÉSSZERŰ HASZNÁLAT

A vezeték nélküli fűnyíró csak kültéren használható.

A termék kizárólag otthoni fűnyírásra alkalmas. A termék olyan gyalogvezetésű fűnyíró, amelyet kézzel kell tolni.

A termék nem működtethető, ha a kerekek nincsenek a talajon. Nem szabad húzni vagy rajta utazni.

Semmilyen más célra ne használja.

## ÁLTALÁNOS BIZTONSÁGI FIGYELMEZTETÉSEK

- Tartsa meg a kézikönyvet, hátha a későbbiekben szüksége lehet rá.
- Csak a jelen gépkönyvben előírt akkumulátorcsomagokkal használja a terméket. Az akkumulátorral működő termék használatakor mindig be kell tartani az alapvető biztonsági óvintézkedéseket, hogy csökkentsék a tűz, a szivárgó akkumulátorok és a személyi sérülések kockázatát.

## SZEMÉLYI BIZTONSÁG

- Ne hagyja, hogy gyerekek vagy csökkent fizikai, érzékelési vagy értelmi képességgel rendelkező személyek, vagy az utasításokat nem ismerő személyek működtessék, tisztítsák vagy karbantartsák a terméket. A helyi előírások korlátozhatják a kezelő életkorát. A gyerekekre oda kell figyelni, nehogy játsszanak a termékkel.
- Legyen tisztában a termék kezelőszerveivel és helyes használatával.
- Nehéz, hosszú nadrágot viseljen, hosszú ujjú felsőt és kemény, csúszásmentes lábbelit. Ne viseljen rövidnadrágot és szandált, illetve ne legyen mezítláb. Kerülje a bő ruhák viseletét, vagy amelyből kábelek vagy madzagok lógnak ki.
- A leejtőkön keresztbe használja a terméket, soha ne felfelé és lefelé haladva. A leejtőn való irányváltás közben legyen különösen óvatos. Stabilan álljon és vegyen fel megfelelő egyensúlyt. Gyalogoljon, ne fusson.

- Ne használja a terméket mélyedések, árkok, túlzottan meredek lejtők vagy töltések közelében.
- Mindig viseljen védőszemüveget.
- A készülék képes kezek és lábak amputálására, tárgyak elhajítására. Az összes biztonsági utasítás figyelmen kívül hagyása súlyos sérülést vagy halált eredményezhet.
- Az egység működtetésekor legyen mindig éber, figyeljen arra, amit csinál és használja a józan esztét. Ne használja a terméket, ha fáradt, beteg vagy alkohol, gyógyszerek, illetve más tudatmódosítók hatása alatt áll. Ha a gép használata közben nem figyel oda arra, amit csinál, az súlyos személyi sérüléshez vezethet.

## MUNKATERÜLET

- Ne használja a terméket, miközben emberek, különösen gyerekek vagy háziállatok vannak a termék 15 méteres környezetében, a késsel való érintkezés miatti kivetődés okozta veszélyek miatt.
- Nappal vagy jó mesterséges megvilágításnál használja a terméket.
- Ne használja a gépet vizes fűben vagy esőben.
- Jegyezze meg, hogy a kezelő vagy a felhasználó felelős a más embereknek vagy tulajdonuknak okozott veszélyekért vagy balesetekért.
- A fűnyíró kése által eltalált tárgyak súlyos személyi sérüléseket okozhatnak. Alaposan vizsgálja át a területet, ahol a gépet használni szeretné, és távolítson el minden követ, fadarabot, fémdarabot, drótot, csontot, játékot vagy más idegen tárgyat. Ne feledje, hogy a szálak vagy vezetékek beakadhatnak a vágókésbe.
- A gépet ne működtesse robbanásveszélyes környezetben, például robbanásveszélyes folyadékok, gázok vagy porok jelenlétében. A gépben szikrák keletkezhetnek, amik begyűjthetik a port vagy a gőzöket.
- Ne használja a terméket, ha villámlás veszélye áll fenn.
- Tragikus balesetek fordulhatnak elő, ha a kezelő nem veszi észre a gyerekek jelenlétét. A gyerekeknek figyelmét felkelti a gép és a fűnyíró. Ne feltételezze azt, hogy a gyerekek ugyanott maradnak, ahol utoljára látta őket.

- Vak sarkok, bokrok, fák vagy egyéb tárgyak, pl. a látást korlátozó belógó bokrok megközelítésekor rendkívül óvatos legyen.

## AKKUMULÁTOROS SZERSZÁMGÉP HASZNÁLATA ÉS KARBANTARTÁSA

- Olvassa el, értse meg és mindig tartsa be az akkumulátorhoz és a töltőhöz mellékelt biztonsági előírásokat. Ennek elmulasztása áramütést, tüzet vagy más veszélyes szituációkat eredményezhet. A jövőbeni felhasználásra az összes útmutatót tartsa együtt, biztonságos helyen.
- Az akkumulátorral működő gépeket nem kell az elektromos hálózathoz csatlakoztatni, azok mindig készen állnak a használatra. Távolítsa el az áramtalanító kulcsot, amikor nem használja a terméket.
- Bármilyen beállítás, tisztítás vagy anyag gépből történő eltávolítás előtt vegye ki az akkumulátort a gépből.
- Az akkumulátor behelyezése előtt ellenőrizze, hogy a áramtalanító kulcs ki van véve.
- Az akkumulátort csak a gyártó által meghatározott töltővel töltsse fel. Töltő használata nem kompatibilis akkumulátorral akár tűzveszélyt is okozhat. Az akkumulátort csak a hozzá adott töltővel töltsse.
- A géphez csak a hozzá való akkumulátort használja. Más akkumulátorok használata tűzveszélyt, áramütést vagy személyi sérüléseket eredményezhet.
- Az akkumulátort használaton kívül tartsa távol más fém tárgyaktól, úgymint gemkapcsoktól, érméktől, kulcsoktól, szögektől, csavaroktól vagy más kisméretű fém tárgyaktól, amelyek rövidre zárhatják a két érintkezőt. Az akkumulátor érintkezőinek rövidre zárása szikrákat, tüzet, égéseket vagy robbanást okozhat.
- Az akkumulátoros termékeket vagy az akkumulátort ne tegye tűz vagy hőforrás közelébe. Ezzel csökkenti a robbanás és az esetleges sérülés kockázatát.
- Ne nyissa fel és ne módosítsa az akkumulátort. A kifolyt elektroliit korrodáló, és a szem vagy a bőr sérülését okozhatja. Belélegzéskor mérgező lehet.
- Óvja az akkumulátort a nedvességtől és a víztől. Az akkumulátort ne töltsse nedves vagy vizes helyeken. Ha ezt a szabályt betartja, csökkentheti az áramütés kockázatát.

- Az akkumulátor károsodásakor és helytelen használata esetén gőz szabadulhat ki. Biztosítson friss levegőt, és panasz esetén forduljon orvoshoz. A gőz irritálhatja a légzőrendszert.
- Nem ajánlott az akkumulátort meleg vagy hideg környezeti feltételek esetén járműben hagyni.
- Ne égesse el az akkumulátort.
- Nem megfelelő körülmények esetén folyadék távozhat az akkumulátorból, kerülje az azzal való érintkezést. Ha mégis érintkezik vele, öblítse le vízzel. Ha a folyadék szembe kerül, forduljon orvoshoz. Az akkumulátorból kifolyt folyadék irritációt vagy égéseket okozhat.

## FŰNYÍRÓ BIZTONSÁGI FIGYELMEZTETÉSEK

- Használat előtt mindig szemrevételezze a munkagépet, hogy meggyőződjön arról, hogy a kések, a késeket rögzítő csavarok és a vágóegység nem kopottak vagy sérültek. Az egyensúly megtartása érdekében az elhasználódott vagy sérült késeket és csavarokat teljes készletben cserélje ki.
- A sérült vagy olvashatatlan címkék cseréjéhez vigye vissza a terméket egy hivatalos szervizközpontba.
- Ne húzza vissza a terméket, hacsak nem elkerülhetetlen. Ha vissza kell húznia a gépet egy faltól vagy akadálytól, először nézzen le és maga mögé, nehogy elessen vagy a lábaira húzza a gépet.
- Kapcsolja ki a terméket és várja meg, amíg a penge leáll, ha a terméket szállítás során meg kell dönteni nem füves talajon való áthaladás során, és amikor a terméket munkaterületre szállítja, illetve onnan elviszi.
- Soha ne használja a terméket hibás védőelemekkel vagy -lemezekkel, illetve úgy, hogy a biztonsági berendezések, például a terelők és/vagy fűgyűjtők nincsenek a helyükön.
- Ne döntse meg a terméket, amikor bekapcsolja a motort, vagy amikor a motor jár. Szükség esetén a könnyebb indításhoz a fűnyíró eleje legfeljebb 5 cm magasra felemelhető. Ehhez nyomja le a tolókart. A vágás előtt minden esetben állítsa vissza a fűnyírót a normál helyzetébe, hogy mind a négy kereke a talajon legyen. A



fűnyíró megbillentése szabaddá teszi a vágópengéket és növeli annak a veszélyét, hogy tárgyak repüljenek ki, illetve véletlenül hozzáérjen a vágópengékhez.

- Ne indítsa el a készüléket, ha a nyitott fűkidobónyílás előtt áll.
- A terméket csak úgy szabad beindítani, hogy a kezelő a fogantyú mögött, a biztonságos zónában tartózkodik. Ne indítsa be a terméket, ha:
  - a fűkidobó csúszda kint van, és nem védi a fűdoboz és a fűkidobó csúszda fedele
  - a gép körül álló személyek keze és lába nincs távol a vágókések burkolatától
- A terméket óvatosan és az előírások szerint kapcsolja be, és tartsa távol a kezét és a lábát a vágópengéktől. Ne helyezze kezét vagy lábát a forgó részek alá vagy közelébe. A kiürítő nyílás legyen mindig akadálymentes.
- Ne emelje fel és ne szállítsa a terméket működő motorral.
- Állítsa le a terméket, vegye ki a kapcsoló kulcsot és az akkumulátort. Ellenőrizze, hogy minden mozgó rész teljesen megállt:
  - amikor felügyelet nélkül hagyja a gépet (beleértve a levágott fű kidobását is).
  - egy eltömődés vagy az eldugult ürítőcsúszda tisztítása előtt
  - ellenőrzés, karbantartás vagy a gépen végzett bármilyen művelet megkezdése előtt;
  - mielőtt leszereli a fűfogót, illetve a kinyitja a fűürítő csúszda fedelét
  - idegen tárgyak eltalálása után; a gép újraindítása és működtetése előtt vizsgálja meg a gépet sérülések tekintetében, és szükség esetén végezze el a javításokat;
  - ha a gép szokatlanul kezd rezegni (ellenőrizze azonnal).
    - a sérülések, különösen a kések vizsgálatakor
    - cserélje ki vagy javítsa meg a sérült alkatrészeket
    - ellenőrizze és húzza meg a meglazult alkatrészeket
- A vágókésnek nagyjából párhuzamosan kell forognia a talajfelszínnel, amelyen tolja a fűnyírót.

- A termékre szerelt kés éles. Óvatosan járjon el, és viseljen nehéz igénybevételre tervezett kesztyűt a felszerelésükkor, cseréjükor, tisztításukkor vagy a csavarok ellenőrzésekor.

- Ne működtesse a terméket, ha a markolaton található be/ki kapcsoló nem megfelelően indítja és állítja le a terméket.

- Ne próbálja meg rögzíteni a be/ki kapcsolókat BE állásba; ez különösen veszélyes.

- Ne erőltesse a terméket. A gép jobban teljesít és biztonságosabban dolgozik olyan sebesség használatkor, amilyenre azt tervezték.

- Kavicsos felületeken való áthaladáskor állítsa le a fűnyírót.

- Kerülje a lyukakat, keréknyomokat, köveket és más rejtett tárgyakat. Az egyenetlen talaj csúszási vagy esési balesetet okozhat.

- Mindig figyeljen oda arra, hogy a motor vezérlőkábele ne akadjon be, ne csipődjön be és máshogy se károsodjon a kar összeszerelésekor vagy lehajtásakor.

- Injuries may be caused, or aggravated, by prolonged use of a tool. Ha a termék hosszabb ideig használja, ügyeljen arra, hogy rendszeresen tartson szünetet.

## AZ AKKUMULÁTOR KIEGÉSZÍTŐ BIZTONSÁGI FIGYELMEZTETÉSEI

- A rövidzárlat általi tűz, sérülések vagy termékkárosodások veszélye elkerülésére ne merítse a szerszámot, a cserélhető akkut vagy a töltőkészüléket folyadékokba, és gondoskodjon arról, hogy ne hatoljanak folyadékok a készülékekbe és az akkukba. A korrozív hatású vagy vezetőképes folyadékok, mint pl. a sós víz, bizonyos vegyi anyagok, fehérítők vagy fehérítő tartalmú termékek, rövidzárlatot okozhatnak.

- Az akkucsomagot ne dobja ki a háztartási hulladékok közé. Külön gyűjtse őket, és juttassa el a környezetvédelmi szempontoknak megfelelő újrahasznosító központba. A helyi hatóságoktól vagy a forgalmazótól kérhet információt az újrahasznosításról, illetve arról, hogy hol található gyűjtőpont.



## A TERMÉK JELLEMZŐI

### TÚLTERHELÉS ÉS TÚLMELEGEDÉS ELLENI VÉDELEM

A termék túlterhelésvédelemmel rendelkezik. Túlterhelés észlelésekor a termék automatikusan kikapcsol. A túlterhelésvédelem működésbe lépésekor engedje el a főkapcsoló kart. Nyomja meg a Start gombot, majd szorítsa meg a főkapcsoló kart a termék újraindításához. Ha a termék még mindig nem kapcsol be, helyezze vissza az akkucsomagot.

Az akkumulátorban túlmelegedés elleni védelem van. Az akkumulátor túl magas hőmérséklete a szerszám leállását okozza. Ha az akkumulátor túl meleg, a munka folytatása előtt hagyja lehűlni. Ha a készülék továbbra sem működik, töltsse fel az akkumulátort.

**MEGJEGYZÉS:** Az akkumulátor töltésjelző LED-je nem fog világítani, ha az akkumulátor-védelmi funkció az akkumulátoros tápellátás leállását okozta a szerszámban. Kapcsolja ki a terméket vagy vegye ki az akkumulátort a termékből, és az akkumulátor-visszajelző LED ismét normálisan fog működni.

### TELESZKÓPOS FOGANTYÚ

A termék teleszkópos fogantyúval rendelkezik, melyet a tároláshoz vagy használatához be lehet állítani. A teleszkópos fogantyút a termék használatba vételekor az 1. vagy a 2. pozícióba kell kihúzni. Győződjön meg arról, hogy a fogantyút a fogantyúrögzítő kar és a gyorskioldó rögzítő biztosan tartja. Győződjön meg arról, hogy a függőleges tárolás során a fogantyú rögzítve van.

### KÉT AKKUMULÁTORHELY

A termék képes egy vagy két akkumulátorral is működni. Két akkumulátor nagyobb áramot bocsát ki, nagyobb teljesítményt biztosít, és meghosszabbítja az üzemidőt.

## ÁLTALÁNOS FÜNYÍRÁSI TIPPEK

Az akkumulátor működési ideje a fű állapotától, hosszától és a sűrűségétől függ.

Állítsa be a fűnyíró vágásmagasságát, hogy megfeleljen a vágandó fű állapotának.

- A legjobb teljesítmény érdekében mindig a fű teljes magasságának csak az egyharmadát vagy kevesebbet vágjon.

- Magas fű vágásakor csökkentse a haladási sebességet, hogy sokkal hatékonyabban tudjon vágni és a levágott fű kiürítse megfelelő legyen.
- nagyobb vágásmagasság meghosszabbítja az akkumulátor működési idejét.

## SZÁLLÍTÁS ÉS TÁROLÁS

- Állítsa le a terméket, vegye ki a kapcsoló kulcsot és az akkumulátort. Ellenőrizze, hogy minden mozgó rész teljesen megállt. Várja meg, amíg lehűl a termék, mielőtt a tárolóban elhelyezné, vagy egy járműben szállítaná.
- Minden idegen anyagtól tisztítsa meg a terméket. Hűvös, száraz és jól szellőztetett, gyerekektől elzárt helyiségben tárolja. A terméket tartsa távol a korrodáló szerektől, például kerti vegyszerektől vagy a jégmentesítő sótól. Ne tárolja a terméket kültéren.
- A terméket járműveken szállítva a károsodás és a személyi sérülések elkerüléséhez vegye ki a kapcsoló kulcsot és rögzítse a terméket mozgás, illetve leesés ellen.
- Rendkívül óvatosan járjon el, ha karbantartás, tisztítás, tárolás vagy szállítás céljából meg kell emelnie vagy döntenie a terméket. A kés éles. Minden testrészét tartsa távol a késtől, amikor a kés szabadon van.

## LÍTIUM AKKUMULÁTOROK SZÁLLÍTÁSA

Az akkumulátorokat a helyi és nemzeti előírásokkal és szabályokkal összhangban szállítsa.

Az akkumulátorok külső fél általi szállításakor kövesse a csomagolásra és a címkézésre vonatkozó speciális előírásokat. Ügyeljen arra, hogy az akkumulátorok ne érhessenek más akkumulátorokhoz vagy vezető anyagokhoz szállítás közben; ehhez a szabadon maradt csatlakozókat védje szigetelő fedéllel vagy szalaggal. Ne szállítson repedt vagy szivárgó akkumulátorokat. További információért vegye fel a kapcsolatot a továbbítást végző céggel.

## KARBANTARTÁS

- Csak a gyártó eredeti cserealkatrészeit, tartozékait és szerelékeit használja. Ennek figyelmen kívül hagyása gyenge motorteljesítményt, esetleges sérülést és a jótállás elvesztését okozhatja.



- szervizelés különös figyelmet és hozzáértést igényel, és csak szakképzett szerelő végezheti el. A terméket csak engedéllyel rendelkező szervizben javíttassa.
  - Állítsa le a terméket, vegye ki a kapcsoló kulcsot és az akkumulátort. A tisztítási és karbantartási műveletek megkezdése előtt győződjön meg arról, hogy minden mozgó alkatrész teljesen megállt.
  - A biztonságos üzem érdekében cserélje ki az elhasználódott vagy sérült alkatrészeket.
  - Rendszeresen ellenőrizze a fűgyújtó kopását vagy károsodását.
  - Gyakori időközönként ellenőrizze a csavaranyák, csavarok és fejescsavarok megfelelő meghúzását, hogy a termék biztonságos üzemi állapotban legyen.
  - A gép beállítása során legyen óvatos, nehogy ujjai beszoruljanak a forgó kések és a gép rögzített részei közé.
  - A kések szervizelésénél ügyeljen arra, hogy ha az áramforrás ki van kapcsolva, a kések továbbra is mozgathatók.
  - A használati útmutatóban leírt beállításokat és javításokat Ön is elvégezheti. Egyéb javítás tekintetében a terméket csak engedéllyel rendelkező szervizben javíttassa.
  - Használat után a műanyag részeket tisztítsa meg puha, száraz ronggyal. A sérült alkatrészeket egy hivatalos szervizközpontban kell megjavíttatni vagy kicseréltetni.
  - A termékre szerelt kés éles. Óvatosan járjon el, és viseljen nehéz igénybevételre tervezett kesztyűt a felszerelésükkor, cseréjükkor, tisztításukkor vagy a csavarok ellenőrzésekor.
  - Egyformán húzza meg a penge csavarjait. A penge csavarjainak a gyártó által javasolt meghúzási nyomatékát lásd a jelen kézikönyvben található termékadatok táblázatban.
- ### ELTÖMÖDÉS MEGSZÜNTETÉSE
- Állítsa le a terméket, vegye ki a kapcsoló kulcsot és az akkumulátort. Ellenőrizze, hogy minden mozgó rész teljesen megállt.
  - Egy eltömődés ellenőrzésekor és megszüntetésekor mindig viseljen nehéz igénybevételre tervezett védőkesztyűt. A kések élesek maga az akadály is éles lehet.
- Vegye le a fűgyújtót. Ellenőrizze és óvatosan szedje ki az eltömődéseket a fűfogóból.
  - Ellenőrizze a fűfűrtő csúszda dugulását és óvatosan tisztítsa ki.
  - Fordítsa a terméket az oldalára. Ellenőrizze az alját, valamint a vágópengék körüli területet. Óvatosan távolítsa el minden elakadt anyagot. Ne felejtse el, hogy a vágópenge a tisztítás során mozog.

## ISMERJE MEG A TERMÉKET

Lásd 163. oldal.

1. Kezelőtábla
2. Indítógomb
3. Főkapcsoló kar
4. Teleszkópos fogantyú
5. Kezelői kézikönyv
6. Fogantyú zárókarja
7. Áramtalanító kulcs
8. Fűgyújtó tele visszajelző
9. Vágási magasság beállítókarja
10. Gyorskioldó rögzítő
11. Fűgyújtó
12. Akkumulátorfedél
13. Hátsó kerék
14. Elülső kerék
15. Mulcsozó csatlakozó
16. Akkumulátor
17. Töltő

## SZIMBÓLUMOK A TERMÉKEN



A termék használata előtt olvasson el és értsen meg minden utasítást. Tartsa be az összes figyelmeztetést és biztonsági utasítást.



Viseljen fülvédőt



Viseljen védőszemüveget



15°-osnál nagyobb lejtőn ne üzemeltesse a gépet. A leejtőkön keresztbe nyírjon, soha ne felfelé és lefelé haladva.



Ne tegye ki esőnek, és ne használja nedves környezetben.



Óvakodjon az éles késektől. A pengék a motor leállítása után még forognak. Karbantartás előtt vegye ki a leválasztókulcsot.



Figyeljen a kivetett vagy repülő tárgyakra. A működési területtől tartson legalább 15 m-es távolságban minden nézelődőt, különösen a gyerekeket és a háziállatokat.



Indulás



Leállítás



A kiselejtezett elektromos termékeket nem szabad a háztartási hulladékkal együtt kidobni. Ezeket újra kell hasznosítani, ha van rá lehetőség. Az újrahasznosítással kapcsolatban érdeklődjön a helyi önkormányzatnál vagy a termék forgalmazójánál.



Európai megfelelőségi jelölés



Brit megfelelőségi jelölés



Eurázsiai megfelelőségi jelzés



Ukrán megfelelőségi jelölés

001



Garantált hangteljesítményszint



1. helyzet a teleszkópos fogantyún



2. helyzet a teleszkópos fogantyún

## A KÉZIKÖNYVBEN HASZNÁLT SZIMBÓLUMOK



Külön értékesített alkatrészek és kiegészítők



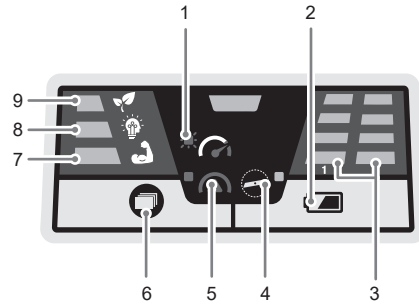
Megjegyzés



Figyelem

## KEZELŐTÁBLA ÁTTEKINTÉSE

A kezelőtábla a termék állapotát és paramétereit mutatja.



1. Nagy terhelés – azt jelzi, hogy a terhelés túl nagy az aktuális beállításhoz, és a termék leállhat. Kapcsoljon nagy teljesítményű üzemmódra, növelje a vágási magasságot, vagy csökkentse a készülék haladási sebességét.
2. Akkumulátortöltöttség állapotjelző gombja - megnyomásakor bekapcsolja az akkumulátortöltöttség jelzőjét.
3. Akkumulátortöltöttség jelzője – azt jelzi, hogy az akkumulátor milyen töltöttségi szinten áll.
  - Ha csak egy LED világít, az akkumulátor kapacitása 25%-nál alacsonyabb.
  - Ha két LED világít, az akkumulátor kapacitása 25% és 50% közötti.
  - Ha három LED világít, az akkumulátor kapacitása 50% és 75% közötti.
  - Ha négy LED világít, az akkumulátor teljesen fel van töltve. Az akkumulátor teljesítménye 75%-100% között van.
4. Késellenőrzés jelzője – azt jelzi, hogy a késeket ellenőrizni kell. Cserélje ki a tompa kést, hogy a terméket jó munkavégzési állapotban tartsa.
5. Túltöltés jelzője – azt jelzi, hogy a termék túltöltődött, és a kés megakadhat.
6. Üzemmód gomb – megnyomásakor megváltoztatja a termék vágási módját.
7. Nagy teljesítményű üzemmód – azt jelzi, hogy a kés nagy sebességgel működik sűrű fű nyírásához.
8. Okos üzemmód – azt jelzi, hogy általános nyíráshoz a fűnyíró képes a kés sebességét a terheléstől függően beállítani.
9. Gazdaságos üzemmód – azt jelzi, hogy a kés alacsony fordulatszámon működik vékony szálú fű vágásához.

Au fost acordate priorități maxime asupra siguranței, performanței și fiabilității în proiectarea dvs.

## UTILIZARE PREVĂZUTĂ

Mașina pentru tuns gazonul fără fir este destinată doar pentru uz în aer liber.

Acest produs este destinat exclusiv tunderii gazonului. Este o mașină de tuns gazon concepută pentru a fi manevrată în mod pedestru și împinsă cu mâna.

Produsul nu trebuie niciodată operat cu roțile desprinse de sol. Mașina nu trebuie trasă și operatorul nu trebuie să se urce pe ea pentru a se deplasa.

Nu folosiți în alte scopuri.

## AVERTISMENTE GENERALE PRIVIND SIGURANȚA

- Vă rugăm să păstrați instrucțiunile într-un loc sigur pentru utilizare ulterioară.
- Utilizați echipamentul doar cu acumulatorul specificat în acest manual. La utilizarea unui produs pe bază de baterie, întotdeauna trebuie respectate normele de siguranță de bază, pentru a se preveni riscul de incendiu, scurgerile de la baterii și vătămările corporale grave.

## SIGURANȚĂ PERSONALĂ

- Nu permiteți niciodată copiilor sau persoanelor cu capacități fizice, senzoriale sau mintale reduse, sau cele nefamiliare cu aceste instrucțiuni, să opereze, curețe sau să efectueze întreținerea produsului. Reglementările locale pot restricționa vârsta operatorului. Copiii trebuie să fie supravegheați adecvat pentru a vă asigura că nu se joacă cu produsul.
- Familiarizați-vă cu comenzile și folosirea corectă a produsului.
- Purtați pantaloni lungi și rezistenți, bluză cu mânecă lungă și încălțăminte antiderapantă. Nu purtați pantaloni scurți și sandale și nu mergeți cu picioarele goale. Evitați să purtați de îmbrăcăminte largă sau care are cordoane sau șireturi libere.
- Folosiți produsul de-a latul pantelor, niciodată în jos și în susul ei. Acordați atenție maximă atunci când schimbați direcția pe pantă. Mențineți sprijin ferm pe picioare și echilibru. Mergeți. Nu alergați niciodată.

- Nu folosiți produsul lângă pante abrupte, șanțuri, zone extrem de înclinate sau diguri.
- Purtați întotdeauna ochelari de protecție.
- Acest produs este capabil să amputeze mâini și picioare și să azvârle obiecte. Neobservarea tuturor instrucțiunilor de siguranță poate cauza vătămare gravă sau deces.
- Fiți vigilenți, fiți atenți la ceea ce faceți, acționați cu simț practic când operați unitatea. Nu operați acest produs atunci când sunteți obosit, bolnav sau sub influența alcoolului, drogurilor sau a medicamentelor. Un moment de neatenție în timpul operării mașinii poate cauza vătămarea personală gravă.

## MEDIUL DE LUCRU

- Nu folosiți niciodată produsul în timp ce persoane, în special copii sau animale de casă, sunt într-o rază de 15 metri, din cauza pericolului obiectelor aruncate prin contactul cu lama.
- Folosiți produsul doar pe lumina zilei sau pe lumină artificială puternică.
- Nu operați mașina în iarba udă sau în ploaie.
- Rețineți că operatorul sau utilizatorul este responsabil pentru accidente sau pericolele ce pot avea loc asupra altor persoane sau proprietății lor.
- Obiectele prinse de lama mașinii de tuns gazon pot cauza vătămări grave persoanelor. Inspectați foarte bine zona în care va fi utilizată mașina și îndepărtați toate pietrele, crengile, metalul, sârma, oasele, jucăriile sau alte obiecte străine. Rețineți, firul sau cablurile se pot încălci în cuțitele de tăiere.
- Nu operați mașina în atmosfere explozive, precum în prezența lichidelor, gazelor sau a prafului inflamabil. Unealta poate crea scânteii care pot aprinde praful sau vaporii.
- Nu folosiți produsul când există risc de fulgere.
- Se pot întâmpla accidente tragice dacă operatorul nu este atent la prezența copiilor. Copiii de obicei sunt atrași de aparat și de activitatea de tundere a acesteia. Nu presupuneți niciodată că copiii vor rămâne acolo unde i-ați văzut ultima oară.

- Procedați cu grijă atunci când lucrați în colțuri fără vizibilitate, printre tufișuri, arbori sau alte obiecte, inclusiv tufișuri tunse în consolă care v-ar putea bloca vederea.

## FOLOSIREA ȘI ÎNTREȚINEREA MAȘINII CU ACUMULATOR

- Citiți, înțelegeți și urmați întotdeauna instrucțiunile de siguranță ce vin împreună cu acumulatorul și încărcătorul. Neurmarea instrucțiunilor poate rezulta în electrocutare, incendiu sau situații periculoase. Păstrați toate instrucțiunile împreună într-un loc sigur pentru o consultare ulterioară.
- Unitățile cu acumulator nu trebuie să fie conectate la o priză electrică; prin urmare, acestea sunt întotdeauna în stare de funcționare. Scoateți întotdeauna cheia izolatoare oricând nu operați produsul.
- Scoateți acumulatorul înainte de a face orice ajustări, de curățare sau de eliminarea materialului din unitate.
- Asigurați-vă că cheia de contact este scoasă înainte de a introduce acumulatorul.
- Un acumulator trebuie să fie reîncărcat numai cu încărcătorul specificat de producător. Utilizarea unui încărcător cu acumulator incompatibil poate crea un risc de incendiu. Folosiți acumulatorul numai cu încărcătorul specificat.
- Folosiți doar acumulatorul destinat în mod special pentru mașină. Utilizarea unui alt acumulator poate produce un risc de incendiu, de electrocutare sau de vătămare a persoanelor.
- Atunci când acumulatorul nu este în uz, păstrați-l departe de alte obiecte metalice, cum ar fi agrafe de birou, monede, chei, cuie, șuruburi sau alte obiecte metalice mici, care pot face o conexiune de la o bornă la alta. Scurtcircuitarea terminalelor acumulatorului ar putea cauza scânteii, arsuri, incendiu sau explozie.
- Nu lăsați produsele cu acumulatori sau acumulatorii acestora în apropierea focului sau a surselor de căldură. Aceasta crește riscul de explozie și posibila vătămare.
- Nu deschideți sau distrugeți bateria. Electrolitul eliberat este coroziv și poate cauza vătămarea ochilor sau a pielii. Poate fi toxic dacă este înghițit.

- Protejați acumulatorul împotriva umezelii și a apei. Nu încărcați unitatea în locuri umede sau ude. Respectarea acestei reguli reduce pericolul de electrocutare.

- În caz de deteriorare și de folosire inadecvată a acumulatorului, pot fi emiși vapori. Respirați aer proaspăt și consultați medicul în caz de dureri. Vaporii pot irita sistemul respirator.

- Nu lăsați acumulatorul în interiorul unui vehicul în condiții de căldură sau frig.

- Nu aruncați acumulatorul în foc.

- Ca urmare a folosirii necorespunzătoare, din acumulator se poate scurge lichid; evitați contactul cu acesta. În cazul unui contact accidental, spălați cu apă. În cazul contactului cu ochii, consultați suplimentar un medicul. Lichidul care iese din acumulator poate provoca iritații sau arsuri.

## AVERTIZĂRI DE SIGURANȚĂ A MAȘINII DE TUNS IARBA.

- Înainte de utilizare, inspectați întotdeauna vizual echipamentul pentru a vă asigura că lamele, șuruburile lamelor și ansamblul tăietor nu prezintă uzură și nici defecte. Înlocuiți lamele și șuruburile uzate sau deteriorate în seturi pentru a menține echilibrul.

- Duceți produsul la un centru service autorizat pentru a înlocui etichetele deteriorate sau ilizibile.

- Nu trageți produsul înspre înapoi decât dacă e absolut necesar. Dacă trebuie să vă deplasați înapoi cu mașina pentru a evita un perete sau un obstacol, în primul rând uitați-vă în jos și în spate pentru a evita împiedicarea sau trecerea cu mașina peste picioarele dvs.

- Opriti funcționarea unelei și lăsați lama să se oprească dacă unealta trebuie să fie înclinată pentru transport, când traversați suprafețe cu altceva în afară de iarbă și când transportați unealta către și de la zona de lucru.

- Nu utilizați niciodată unealta cu protecțiile și apărătorile deteriorate, sau fără să fie montate la locul lor dispozitivele de siguranță precum deflectoarele și colectoarele de iarbă.

- Nu mișcați produsul în timpul pornirii motorului sau în timp ce motorul este în funcționare. Dacă este absolut necesar,

puteți înălța partea din față a mașinii pentru tuns gazonul cu nu mai mult de 5 cm pentru a permite pornirea facilă. Apăsăți în jos pe mâner pentru realizarea acestui lucru. Înainte de tunde gazonul, aduceți întotdeauna mașina pentru tuns gazon în poziție normală, cu toate roțile pe pământ. Înclinarea mașinii pentru tuns gazonul expune lama și crește probabilitatea ca obiectele să fie aruncate, precum și contactul accidental cu lama.

- Nu porniți produsul când stați în fața deschiderii de evacuare a ierbii.
- Produsul trebuie pornit cu utilizatorul în spatele ghidonului în zona de siguranță a operatorului. Nu porniți niciodată produsul dacă:
  - sacul de colectare a ierbii tunse este expus, nefiind protejat de cutie și de capac
  - mâinile și picioarele tuturor persoanelor nu sunt în afara împrejurii cuțitelor de tăiere
- Porniți motorul cu grijă, conform instrucțiunilor și țineți mâinile și picioarele departe de lame. Nu puneți mâinile sau picioarele în apropierea sau sub piesele în rotație. Mențineți libere deschizăturile de gloare tot timpul.
- Nu ridicați și nu purtați produsul când motorul funcționează.
- Opriți produsul, scoateți cheia izolatoare și bateria. Asigurați-vă că toate piesele mobile s-au oprit complet:
  - oricând lăsați produsul nesupravegheat (incluzând îndepărtarea bucăților de iarbă tăiate).
  - înainte de îndepărtarea unui blocaj sau înainte de golirea sacului
  - înainte de a verifica, curăța sau lucra asupra produsului
  - înainte de demontarea colectorului de iarbă sau deschiderea capacului jgheabului de evacuare a ierbii
  - după ce ați lovit un obiect străin; inspectați aparatul dacă e deteriorat și faceți reparații necesare înainte de a reporni și opera mașina.
  - dacă produsul începe să vibreze anormal (verificați imediat)
    - când inspectați de deteriorări, în special lamele.
    - înlocuiți sau reparați toate piesele deteriorate

– verificați dacă există și strângeți orice piese desprinse

- Lama de tăiere trebuie să se rotească aproximativ paralel cu solul peste care se rotește.
- Lama produsului este ascuțită. Folosiți atenție și purtați mănuși rezistente când montați, înlocuiți, curățați sau verificați șurubul de siguranță.
- Nu operați niciodată produsul dacă întrerupătorul pornit/oprit de pe mânerul de ghidare nu pornește și oprește corespunzător produsul.
- Nu încercați niciodată să blocați butonul de start în poziția PORNIT; este extrem de periculos.
- Nu forțați produsul. Aceasta va funcționa mai bine și mai sigur la viteza pentru care a fost proiectată.
- Opriți lama la trecerea pe suprafețe cu pietriș.
- Evitați găurile, fâgașele, pietrele sau alte obiecte ascunse. Nerenul nenivelat poate cauza alunecare sau cădere.
- Asigurați-vă întotdeauna că în timpul asamblării sau când pliați mânerul lui, cablul de control al motorului nu este niciodată prins, ciupit sau deteriorat.
- Pot fi cauzate sau agravate vătămarile de la folosirea prelungită a aparatului. Când utilizați unealta timp mai îndelungat, asigurați-vă că faceți pauze regulate.

#### AVERTISMENTE SUPLIMENTARE PRIVIND SIGURANȚA LA UTILIZAREA BATERIILOR

- A rövidzárlat általi tűz, sérülések vagy termékkárosodások veszélye elkerülésére ne merítse a szerszámot, a cserélhető akkut vagy a töltőkészüléket folyadékba, és gondoskodjon arról, hogy ne hatoljanak folyadékok a készülékekbe és az akkukba. Lichidele corosive sau cu conductibilitate, precum apa sărată, anumite substanțe chimice și înălbitori sau produse ce conțin înălbitori, pot provoca un scurtcircuit.
- Nu aruncați bateriile uzate împreună cu gunoiul menajer. Bateriile trebuie colectate separat și trimise la o unitate de reciclare specializată. Adresați-vă autorităților sau distribuitorilor locali pentru a afla informații despre punctele de colectare.

## CARACTERISTICI PRODUS

### SUPRASARCINĂ ȘI PROTECȚIE LA SUPRAÎNCĂLZIRE

Produsul este echipat cu un dispozitiv de protecție împotriva supratensiunii. Aparatul se oprește când este detectată o sarcină excesivă. Dacă protecția la suprasarcină este acționată de servomotor, maneta de pornire/oprire (on/off) trebuie decuplată. Apăsăți butonul start apoi apăsați maneta de pornire/oprire (on/off) pentru a reporni echipamentul. Dacă totuși unealta nu pornește, reinstalați acumulatorul.

Acumulatorul are protecție împotriva supraîncălzirii. Temperaturile excesive vor conduce la oprirea alimentării uneltei de la acumulator. Dacă acumulatorul este prea cald, lăsați-l să se răcească înainte de reluarea operării. Dacă unealta nu funcționează în continuare, încărcați acumulatorul.

**NOTĂ:** Indicatorul LED al acumulatorului nu va funcționa dacă funcția de protecția a acumulatorul a condus la oprirea alimentării uneltei de la acumulator. Opriți echipamentul sau scoateți bateria din acesta, iar LED-ul indicator privind bateria va reveni la funcționare normală.

### MÂNER TELESCOPIC

Produsul este echipat cu un mâner telescopic care poate fi ajustat pentru depozitare sau operare. Mânerul telescopic trebuie extins la poziția 1 sa 2 atunci când pregătiți produsul în vederea utilizării. Asigurați-vă că mânerul este securizat cu maneta sa de blocare și cu elementul de fixare a eliberării rapide. Asigurați-vă că mânerul este blocat în timpul depozitării verticale.

### DOUĂ FANTE PENTRU BATERIE

Produsul poate funcționa utilizând unul sau doi acumulatori. Doi acumulatori asigură mai mult curent, o putere mai mare și o durată prelungită de funcționare.

## SFATURI GENERALE PRIVIND TUNDEREA

Timpul de funcționare al acumulatorului depinde de starea, lungimea și densitatea ierbii.

Reglați înălțimea de tăiere a mașinii de tuns iarba pentru a se potrivi stării prezente a gazonului ce vine tuns.

- Pentru cea mai bună funcționare, tăiați întotdeauna o treime sau mai puțin din înălțimea totală a ierbii.
- Atunci când tăiați iarbă înaltă, reduceți viteza de înaintare pentru a permite o tăiere mai bună și o golire corespunzătoare a ierbii tăiate.
- O înălțime mai mare de tăiere a ierbii va prelunge perioada de funcționare a acumulatorului.

## TRANSPORTAREA ȘI DEPOZITAREA

- Opriți produsul, scoateți cheia izolatoare și bateria. Asigurați-vă că toate piesele mobile s-au oprit complet. Lăsați produsul să se răcească înainte de depozitare sau de transportare cu un vehicul.
- Curățați toate materialele străine din produs. Depozitați-l într-un loc răcoros, uscat și bine aerisit ce este inaccesibil copiilor. Păstrați produsul la distanță de agenți corozivi, precum substanțe chimice de grădină și săruri de dezghețare. Nu depozitați produsul în aer liber.
- În cazul transportării într-un vehicul, scoateți cheia izolatoare și asigurați produsul împotriva mișcării sau căderii, pentru a împiedica rănirea persoanelor sau deteriorarea produsului.
- Acordați o atenție deosebită când ridicați sau înclinați mașina în scopul unor operații de întreținere, curățare, pentru depozitare sau transport. Lama este ascuțită. Mențineți toate părțile corpului ferite de lamă cât timp lama este expusă.

## TRANSPORTAREA BATERIILOR DE LITIU.

Transportați bateriile în conformitate cu prevederile și reglementările locale și naționale.

Urmați toate cerințele speciale privind împachetarea și etichetarea atunci când transportați baterii către un terț. Asigurați-vă că nicio baterie nu poate să intre în contact cu alte baterii sau materiale conductive în timpul transportului prin protejarea conectorilor expuși cu bandă, capace izolatoare neconductive. Nu transportați bateriile ce sunt crăpate sau care au scurgeri. Verificați cu firma transportatoare pentru recomandări ulterioare.



## ÎNTREȚINERE

- Folositi doar piese de schimb, accesoriile și atasamente originale ale producătorului. Neurmarea acestora poate cauza posibilă vătămare, slaba funcționare și ar putea anula garanția.
- Service-ul necesită atenție și cunoștințe deosebite și trebuie îndeplinit doar de către un tehnician service calificat. Duceți produsul la reparații numai într-un centru service autorizat.
- Opriti produsul, scoateți cheia izolatoare și bateria. Asigurați-vă că toate părțile mobile se află în stare completă de repaus înainte de a efectua o operație de curățare sau mentenanță.
- Înlocuiți piesele uzate sau deteriorate pentru siguranță.
- Verificați frecvent dispozitivul de colectare a ierbii de uzură sau deteriorare.
- Verificați toate piulițele, șuruburile la intervale frecvente de timp ca să fie corespunzător strânse pentru a vă asigura că produsul este în stare de lucru în siguranță.
- Aveți grijă, în timpul ajustării mașinii, să preveniți prinderea degetelor între lamele în mișcare și părțile fixe ale mașinii.
- Când se execută operații de service la lame, fiți atenți că lamele încă se pot afla în mișcare chiar dacă sursa de energie a fost deconectată.
- Puteți face reglaje și reparații descrise în acest manual de instrucțiuni. Pentru alte reparații, produsul trebuie prezentat numai unui centru de service autorizat.
- După fiecare utilizare curățați piesele din plastic cu o cârpă moale și uscată. Orice piesă deteriorată trebuie să fie reparată în mod corespunzător sau înlocuită de un service autorizat.
- Lama produsului este ascuțită. Folosiți atenție și purtați mănuși rezistente când montați, înlocuiți, curățați sau verificați șurubul de siguranță.
- Șuruburile lamei trebuie strânse în mod corespunzător. Consultați recomandările producătorului privind cuplul de torsiune al șuruburilor lamei care pot fi găsite în tabelul privind specificațiile produsului din acest manual.

## ELIBERAREA UNUI BLOCAJ

- Opriti produsul, scoateți cheia izolatoare și bateria. Asigurați-vă că toate piesele mobile s-au oprit complet.
- Purtați întotdeauna mănuși de protecție rezistente atunci când verificați și eliberați un blocaj. Lamele sunt ascuțite și obstrucția poate fi cauzată de un obiect ascuțit.
- Scoateți colectorul de iarbă. Verificați și curățați cu atenție obstrucțiile de la colectorul de iarbă.
- Verificați jgheabul de evacuare a ierbii în privința obstrucțiilor și curățați cu atenție.
- Întoarceți mașina pe o parte. Verificați partea de dedesubt și zona din jurul lamei. Îndepărtați cu atenție orice obstrucții constatate. Rețineți că lama se poate mișca în timpul curățării.

## CUNOAȘTEȚI-VĂ PRODUSUL

Vezi pagina 163.

1. Panou interfață
2. Butonul de pornire
3. Manetă de pornire/oprire (on/off)
4. Mâner telescopic
5. Manualul de operare
6. Mâner-levier de blocare
7. Cheie de contact
8. Indicator casetă colectare iarbă plină
9. Maneta de reglare a înălțimii de tundere
10. Clemă de eliberare rapidă.
11. Captator de iarbă
12. Ușă acumulator
13. Roată spate
14. Roată față
15. Duză pentru mulcire
16. Acumulator
17. Încărcător

## SIMBOLURILE DE PE PRODUS.



Citiți și înțelegeți toate instrucțiunile înainte de a utiliza produsul. Respectați toate avertismentele și instrucțiunile de siguranță.



Purtați protecție pentru urechi



Purtați întotdeauna ochelari de protecție



Nu utilizați mașina pe pante abrupte mai mari de 15°. Tundeți de-a latul pantei, niciodată sus și în jos.



Nu expuneți produsul la ploaie sau umezeală.



Fiți atent la lamele ascuțite. Lamele continuă să se rotească după oprirea motorului. Scoateți cheia de izolare înainte de operațiile de întreținere.



Feriți-vă de obiecte proiectate sau în zbor. Mențineți o distanță de cel puțin 15m între zona de lucru și persoanele prezente, mai ales copii și animale.



Pornește



Stop



Deșeurile produselor electrice nu trebuie să fie înălțurate împreună cu deșeurile casnice. Vă rugăm reciclați acolo unde există facilități. Verificați la autoritatea dvs locală sau la vânzător pentru sfaturi privind reciclarea.



Marcajul european de conformitate

Marcajul britanic de conformitate

Marcaj de conformitate EurAsian



Marcajul ucrainian de conformitate



Nivel garantat al puterii acustice



Poziția 1 pe mânerul telescopic



Poziția 2 pe mânerul telescopic

## SIMBOLURI DIN ACEST MANUAL



Piese sau accesorii vândute separat



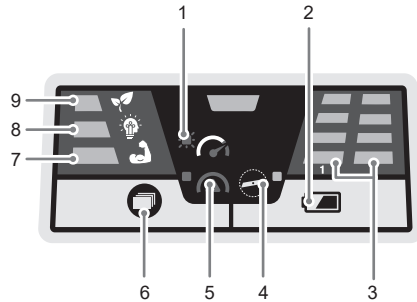
Notă



Avertisment

## VEDERE DE ANSAMBLU PANOU INTERFAȚĂ

Pe panoul de interfață se afișează modul de operare și starea tehnică a produsului.



1. Sarcină mare - indică faptul că sarcina este prea mare pentru setarea curentă și că produsul se poate opri. Comutați pe mod putere (power), măriți înălțimea de tăiere sau reduceți viteza de mers.
2. Buton stare încărcare baterie - când este apăsat, iluminează indicatorul de nivel al bateriei.
3. Indicator nivel baterie - indică nivelul de încărcare al acumulatorului
  - Dacă este aprins numai un LED, capacitatea acumulatorului este sub 25%.
  - Dacă sunt aprinse două LED-uri, capacitatea acumulatorului este între 25% și 50%.
  - Dacă sunt aprinse trei LED-uri, capacitatea acumulatorului este între 50% și 75%.
  - Dacă sunt aprinse patru LED-uri, acumulatorul este complet încărcat. Capacitatea acumulatorului este cuprinsă între 75%-100%.
4. Indicator verificare lamă - indică faptul că lama trebuie verificată. Înlocuiți lama uzată pentru a păstra produsul în stare bună de funcționare.
5. Indicator suprasarcină - indică faptul că produsul este în suprasarcină și că lama se poate opri.
6. Buton mod - când este apăsat, schimbă modul de tundere al produsului.
7. Mod putere (power) - indică faptul că lama are o viteză prea mare pentru iarba densă care este tăiată.
8. Mod inteligent (smart) - indică faptul că mașina de tuns gazon poate să își ajusteze viteza lamei în funcție de sarcina produsului de tundere în general.
9. Mod eco - indică faptul că lama are o viteză prea mică pentru iarba rară care este tăiată.



Radot jūsu akumulatora plaujmašīnu, drošībai, veiktspējai un uzticamībai ir pievērsta vislielākā vērība.

## PAREDZĒTAIS LIETOJUMS

Bezvadu plaujmašīna ir paredzēta lietošanai tikai ārpus telpām.

Šis izstrādājums ir paredzēts mājas zālāja plaušanai. Tā ir gājēja kontrolēta plaujmašīna, kura paredzēta stumšanai ar rokām.

Preci nekad nedrīkst darbināt ar paceltiem riteņiem. To nedrīkst vilkt vai uz tās braukt.

Nelietojiet citiem mērķiem.

## VISPĀRĪGIE DROŠĪBAS BRĪDINĀJUMI

- Lūdzu, glabājiēt noteikumus drošā vietā vēlākai izmantošanai.
- Izmantojiēt izstrādājumu tikai ar akumulatoru blokiem, kas norādīti šajā rokasgrāmatā. Izmantojot ar akumulatoru darbināmu produktu, vienmēr ir jāievēro pamata piesardzības pasākumi, lai samazinātu uzliesmošanas, akumulatoru noplūdes vai ievainojumu risku.

## PERSONISKĀ DROŠĪBA

- Nekad nepieļaujiēt, lai šī izstrādājuma ekspluatāciju, tīrīšanu vai apkopi veiktu bērni, personas ar samazinātām fiziskajām, maņu vai garīgajām spējām vai arī personas, kuras nav iepazinušās ar šiem norādījumiem. Vietos īstatymai gali apriboti ierengimo operatoriaus amžiu. Nepieciešams pienācīgi uzmanīt bērnus, lai nodrošinātu, ka tie nespēlējas ar ierīci.
- Iepazīstieties ar ierīces vadīšanu un pareizu lietošanu.
- Valkājiēt izturīga auduma garās bikses, garās piedurknes un izturīgus, neslīdošus apavus. Nevalkājiēt īsas bikses, sandales nestrādājiēt ar plīkām kājām. Nevelciēt vaļīgu apģērbu vai apģērbu ar auklām un lentēm.
- Lietojiēt precī paralēli nogāzēm, nekad no augšas uz leju. Būkiēt ītin atsargūs ant šļaitū keisdami kryptī. Visada tvirtai stovēkiēt ir īšļaikykiēt pusiausvyrā. Ejiēt, nekādā gadījūmā neskrieniēt.
- Nelietot izstrādājumu bedru, grāvju, pārliēki stāvu nogāžu vai krasta malu tuvumā.
- Vienmēr valkājiēt aizsargbrilles.

- Produkts spēj amputēt rokas un kājas kā arī mest pa gaisu priekšmetus. Nesilaikant visu saugos taisykliū galima rimtai susižeisti ar net žūti.
- Strādājiēt ar ierīci, uzmanieties, sekojiēt savam darbam un vadieties pēc veselā saprāta. Nerīkojiēties ar šo ražojumu, kad esat noguris, slims vai esot alkohola, narkotiku vai zāļu ietekmē. Neuzmanība darbā ar ierīci var izraisīt smagus ievainojumus.

## DARBA VIETA

- Nekad neizmantojiēt šo precī, kamēr cilvēki, īpaši bērnu vai mājdzīvnieki atrodas 15m attālumā, jo pastāv briesmas, ka saskaroties ar asmeni gaisā var tikt uz mesti priekšmeti.
- Izmantojiēt precī tikai dienas gaismā vai labā mākslīgā apgaismojūmā.
- Nedarbiniet ierīci mitrā zālē vai lietus laikā.
- Turēkiēt omenyje, kad operatorius arba vartotojas yra atsakingas už nelaimingus atsitikimus arba kitiems asmenims ar jų turtui sukeltą pavojų.
- Nuo žoliapjovės geležčių atsitrenkę objektai gali sunkiai sužaloti žmones. Rūpiūgi pārbaudiet vietu, kur lietosiet ierīci un aizvāciēt visus akmeņus, žagarus, metālu, vadus, kaulus, rotaļlietas vai citus svešķermeņus. Aterieties, stieple vai vads var sapīties ar asmeņiem.
- Nedarbiniet ierīci sprādzienbīstamā vidē, piemēram, degošu šķidrumu, gāzu vai putekļu klātbūtnē. Ierīce var radīt dzirksteles, kas var aizdedzināt putekļus vai gāzes.
- Nelietojiēt ierīci, kad pastāv zibens spēriena risks.
- Operatoriui nežinant, kad šalia yra vaikai, gali įvykti nelaimingi atsitikimai. Iekārta un plaušanas darbības bieži vien piesaista bērnu uzmanību. Niekada nemanykite, kad vaikai išliks toje pačioje vietoje, kur juos pirmiau matėte.
- Ievērojiēt īpašu piesardzību, tuvojiēties nepārskatāmiem stūriem, krūmiem, kokiem vai citiem objektiem, ieskaitot nokareņus augus, kas var aizsegt jūsu skatu.



## AR AKUMULATORU DARBINĀMU IERĪCU LIETOŠANA UN KOPŠANA

- Izlasiet, izprotiet un vienmēr ievērojiet akumulatora un lādētāja komplektā iekļautos drošības norādījumus. Pretēja gadījumā varat izraisīt elektrošoku, aizdegšanos vai citas bīstamas situācijas. Visas instrukcijas glabājiet drošā vietā turpmākām uzziņām.
- Ar akumulatoru darbināmas ierīces nav jāpievieno elektriskajai kontaktligzdai, tāpēc tās vienmēr ir darba kārtībā. Noņemiet izolatora atslēgu, kad nedarbiniet precī.
- Izņemiet akumulatoru pirms regulēšanas, tīrīšanas vai objektu izņemšanas no ierīces.
- Pirms akumulatora ievietošanas slēdža atslēga noteikti jāizņem.
- Akumulators jālādē tikai ar ražotāja noteikto lādētāju. Lādētāja lietošana ar nesaderīgu akumulatoru var izraisīt ugunsgrēka risku. Akumulatora uzlādēšanai lietojiet tikai nosaukto tipu lādētāju.
- Lietojiet tikai konkrētajai ierīcei paredzēto akumulatoru. Jebkura cita akumulatora lietošana var radīt ugunsgrēka, elektriskā trieciena vai ievainojumu risku.
- Kad nelietojat akumulatoru, neturiet to citu metāla priekšmetu tuvumā, piemēram: papīra saspauces, monētas, atslēgas, naglas, skrūves vai citi sīki metāla priekšmeti, kas var veidot savienojumu starp spailēm. Savienojot bateriju paketes terminālus, var rasties dzirksteles, apdegumi, aizdegšanās vai eksplozija.
- Nenovietojiet akumulatoru izstrādājumus vai to akumulatorus uguns vai karstuma avotu tuvumā. Tas palielina eksplozijas un miesas bojājumu gūšanas risku.
- Neatveriet un neizjauciet akumulatoru. Izliets elektrolīts ir korodējošs un var radīt bojājumus acīm vai ādai. Norijot tas ir toksisks.
- Sargājiet akumulatoru no mitruma un ūdens. Nelādējiet akumulatoru mitrā vietā. Šī noteikuma ievērošana samazinās elektrotraumu risku.
- Akumulatora bojājuma un nepareizas lietošanas gadījumā var izdalīties tvaiks. Nodrošiniet svaigu gaisu un sūdzību gadījumā lūdziet medicīnisku palīdzību. Tvaiks var kairināt elpošanas sistēmu.
- Neatstājiet bateriju paketi transportlīdzeklī karstos vai aukstos laikapstākļos.

- Nesadedziniet akumulatoru.
- Nepareizas rīcības gadījumā no akumulatora var izkļūt šķidrums; izvairieties no saskares ar to. Nejaušas saskares gadījumā skalojiet skarto vietu ar ūdeni. Ja šķidrums iekļūst acīs, nekavējoties meklējiet medicīnisko palīdzību. No akumulatora izkļuvušais šķidrums var izraisīt kairinājumu vai apdegumus.

## ZĀLES PĻĀVĒJA DROŠĪBAS BRĪDINĀJUMI

- Pirms lietošanas vienmēr vizuāli pārbaudiet produktu, lai nodrošinātu, ka asmeņi, asmeņu skrūves un pļaušanas mezgls nav nodiluši vai bojāti. Nomainiet izdilušos vai bojātos asmeņus un skrūves, lai saglabātu simetriju.
- Nesiet precī uz pilnvarotu pakalpojumu centru, lai nomainītu bojātos vai nesalasāmās uzlīmes.
- Nevilk izstrādājumu at muguriski, izņemot, ja absolūti nepieciešams. Ja ierīce ir jāvirza atpakaļ no sienas vai šķēršļa, vispirms paskatieties uz leju un aiz sevis, lai nepakļuptu vai neuzvilktu ierīci uz kājām.
- Izslēdziet produktu un ļaujiet asmeņim apstāties ja produktu nepieciešams piecelt, lai pārvietotu, šķērsojot virsmas, kas nav zāle, kā arī pārvietojot produktu uz un no darba zonas.
- Nekad neizmantojiet produktu ar bojātiem aizsargiem vai plāksnēm, bez uzstādītām drošības ierīcēm, piemēram, deflektoriem un zāles savācējiem.
- Nesasveriet produktu, kad ieslēdzat motoru vai kamēr motors darbojas. Ja īpaši nepieciešams, jūs varat pacelt pļaujmašīnas priekšpusi ne vairāk kā 5 cm, lai atvieglotu palaišanu. Lai to panāktu, spiediet uz leju rokturi. Pirms sākt pļaušanu, vienmēr atgrieziet pļaujmašīnu tās normālajā stāvoklī ar visiem četriem riteņiem uz zemes. Pļaujmašīnas pacelšana atsedz asmeņi, palielinot iespējamību dažādu priekšmetu mešanai un rodoties nejaušai saskarsmei ar asmeņi.
- Nepalaidiet produktu, stāvot zāles izmešanas atveres priekšā.
- Precī jāiedarbina, lietotājam atrodoties aiz roktura, operatora drošības zonā. Nekad nedarbiniet precī, ja:

- zāles izmešanas atvere ir atvērta un to neaizsargā zāles uztveršanas grozs un zāles izmešanas atveres aizsargvāks
- visi personu rokas un pēdas ir pakļautas griešanas ierīcēm
- Uzmanīgi, saskaņā ar norādēm ieslēdziet produktu, turiet rokas un kājas atstatu no asmeņiem. Nenovietojiet rokas vai kājas zem rotējošām detaļām vai to tuvumā. Visada laikykitēs saugaus atstumo nuo išmetimo angos.
- Nekad nepaceliet vai nesiet precī, kamēr darbojas motors.
- Apturiet izstrādājumu, izņemiet bloķēšanas atslēgu un noņemiet akumulatoru. Pārliēcinieties, ka visas kustīgās daļas ir pilnīgi apstājušās:
  - ja atstājat precī nepieskatītu (tai skaitā atbrīvojoties no zāles).
  - pirms tīrīt nosprostojumu vai atbrīvotu zāles izmešanas atveri
  - pirms iekārtas pārbaudes, tīrīšanas vai labošanas
  - pirms zāles uztvērēja noņemšanas vai zāles izmešanas atveres vāka atvēršanas
  - pēc sadursmes ar kādu priekšmetu; pārbaudiet, vai iekārta nav bojāta, un veiciet pirms iedarbināšanas un lietošanas veiciet nepieciešamos remontdarbus.
  - ja iekārta sāk neparasti vibrēt (pārbaudiet nekavējoties)
    - pārbaudot vai nav bojājumu, īpaši asmeņi
    - nomainiet vai salabojiet bojātās daļas
    - pārbaudiet un pievelciet vaļīgās detaļas
- Griezējasmēnim jāgriežas apmēram paralēli zemei, virs kuras tas tiek pārvietots.
- Precēs asmens ir ass. Esiet uzmanīgi un valkājiēt izturīgus cimdus, kas pievienojat, nomaināt, tīrāt vai pārbaudāt skrūves drošību.
- Nekad nedarbiniet precī, ja iesl./izsl. slēdzis uz roktura pareizi neieslēdzas un neaptur precī.
- Nekad nemēģiniet ieslēgšanas/izslēgšanas slēdzus bloķēt ieslēgšanas pozīcijā, jo tas ir ļoti bīstami.
- Nepielietojiet spēku, izmantojot ražojumu. Tas darbu darīs labāk un drošāk ar ātrumu, kādam tas ticis izstrādāts.
- Apturiet asmeni, kad šķērsojat grantētas virsmas.
- Venkite skyliu, provēžu, iškilimu, akmeņu ar kitu paslēptu objektu. Nelīdzena zeme var novest pie nejausas paslīdēšanas un kritiena.
- Vienmēr nodrošiniēt, ka motora kontroles kabelis nekad nav iesprūdis, saspiests vai kā citādi bojāts, salikšanas laikā, vai kad turat rokturi.
- Ilgstoša precēs lietošana var radīt ievainojumus vai pasliktināt jau esošos. Izmantojot produktu ilgāku laika posmu, nodrošiniēt, ka tiek ņemti regulāri pārtraukumi.

## PAPILDU AKUMULATORU BLOKA DROŠĪBAS BRĪDINĀJUMI

- Lai novērstu īssavienojuma izraisītu aizdegšanās, savainojumu vai produkta bojājuma risku, neiegremdējiēt instrumentu, maināmo akumulatoru vai uzlādes ierīci šķidrumos un rūpējiēties par to, lai ierīcēs un akumulatoros neiekļūtu šķidrums. Koroziju izraisoši vai vadītspējīgi šķidrumi, piemēram, sālsūdens, noteiktas ķīmikālijas, balinātāji vai produkti, kas satur balinātājus, var izraisīt īssavienojumu.
- Neutilizējiēt akumulatoru blokus kopā ar māsaimniecības atkritumiem. Tos jāsavāc atsevišķi un jānodod atbilstošā vides atkritumu pārstrādes vietā. Saziņieties ar jūsu vietējo pašvaldību vai pārdevēju, lai gūtu informāciju par šādām savākšanas vietām.

## IZSTRĀDĀJUMA ĪPAŠĪBAS

### PĀRSLODZES UN PĀRKARŠANAS AIZSARDZĪBA

Šis izstrādājums ir aprīkots ar pārslodzes aizsardzības ierīci. Konstatējiēt pārslodzi, izstrādājums automātiski izslēdzas. Ja nostrādājiusi pārslodzes aizsardzība, jāatlaiz ieslēgšanas/izslēgšanas svira. Nospiediet palaišanas pogu un tad saspiediet ieslēgšanas/izslēgšanas sviru, lai atiestatītu produktu. Ja produkts joprojām neieslēdzas, noņemiet un uzliēciet akumulatoru bloku.

Baterijas pakai ir pārkaršanas aizsardzība. Pārmēģīgā temperatūrā akumulators nenodrošinās instrumenta barošanu. Ja akumulatoru bloks ir pārāk silts, ļaujiet tam atdzist pirms atsākt darbu. Ja instruments joprojām nedarbojas, uzlādējiēt akumulatoru.

**PIEZĪME:** Akumulatora uzlādes indikatora gaismas diode nedarbosies, ja akumulatora aizsargfunkcija ir apturējusi instrumenta barošanu. Izslēdziet produktu vai noņemiet akumulatoru bloku no izstrādājuma un akumulatoru bloka LED indikators atsāks normāli darboties.

## TELESKOPISKAIS ROKTURIS

Izstrādājums ir aprīkots ar teleskopisko rokturi, kuru iespējams regulēt uzglabāšanas vai lietošanas nolūkiem. Sagatavojot izstrādājumu lietošanai, teleskopiskajam rokturim ir jābūt izvilktam 1. vai 2. pozīcijā. Pārliedzinieties, ka rokturis ir nostiprināts, izmantojot roktura fiksācijas sviru un ātri atlaižamo stiprinātāju. Nodrošiniet, ka vertikālās glabāšanas laikā rokturis ir nostiprināts.

## DIVAS AKUMULATORA PIESLĒGVIETAS

Produkts var darboties, izmantojot vienu vai divus akumulatoru blokus. Divi akumulatoru bloki veic izlādi ar lielāku strāvu, nodrošinot lielāku jaudu un ilgāku darbības laiku.

## VISPĀRĪGI PĀRVIETOŠANAS PADOMI

Akumulatora darbības laiks ir atkarīgs no zāles stāvokļa, garuma un blīvuma.

Noregulējiet zāles plāvēja plaušanas augstumu atbilstoši plaujamā zālāja stāvoklim.

- Lai nodrošinātu pēc iespējas labākus rezultātus, vienmēr noplaujiet ne vairāk kā trešdaļu no zāles kopējā augstuma.
- Pjaudami aukstā žolē sumazīnķite ējimo greitī. Taip pļovimas bus efektyvesnis ir geriau išsivalys nuopjovos.
- Lielāks plaušanas augstums paildzina akumulatora darbības laiku.

## TRANSPORTĒŠANA UN UZGLABĀŠANA

- Apturiet izstrādājumu, izņemiet bloķēšanas atslēgu un noņemiet akumulatoru. Pārliedzinieties, ka visas kustīgās daļas ir pilnīgi apstājušās. Ļaujiet produktam atdzist, pirms novietot glabāšanai vai transportēt automašīnā.
- Notīriet visus svešķermeņus no izstrādājuma. Uzglabājiet to vēsā, sausā un labi vēdinātā vietā, kurai nevar piekļūt bērni. Sargiet izstrādājumu no korozīvām vielām, piemēram, dārza ķimikālijām un pretapledošanas sāls. Neglabājiet produktu ārpus telpām.

- Pārvadāšanai transportlīdzeklī, izņemiet bloķēšanas atslēgu un nodrošiniet, ka izstrādājums nekustas vai nevar nokrist, lai izvairītos no ievainojumiem un izstrādājuma bojājumiem.
- Ievērojiet īpašu piesardzību, paceļot vai noliecot produktu apkopei, tīrīšanai, glabāšanai vai pārvadāšanai. Asmens ir ass. Kamēr asmens ir atklāts, netuviniet tam nevienu ķermeņa daļu.

## LITĪJA BATERIJU TRANSPORTĒŠANA

Transportējiet baterijas saskaņā ar vietējiem un valsts noteikumiem un regulām.

Ievērojiet visas īpašās prasības saistībā ar iepakojumu un marķēšanu, transportējot trešās puses baterijas. Nodrošiniet, ka baterijas transportā nevar nonākt saskarē ar citām baterijām vai vadītspējīgiem materiāliem, aizsargājot atklātos savienotājus ar nevadošiem izolācijas vāciņiem vai lentēm. Netransportējiet iekļautās baterijas vai baterijas, kurām ir noplūde. Lūdziet padomu kravu pārvadāšanas uzņēmumam.

## APKOPE

- Lietojiet tikai oriģinālās ražotāja rezerves daļas, piederumus un uzgaļus. Pretējā gadījumā var tikt radīti ievainojumi un parādīts slikts sniegums, kā arī var tikt anulēta garantija.
- Aptarnavimā atlikti būtina itin atidzīai, todēl rekomenduojuame, kad techniņē apziūŗā vykdytų kvalifikuotas specialistas. Veiciet apkalpošanu tikai pilnvarotā servisa centrā.
- Apturiet izstrādājumu, izņemiet bloķēšanas atslēgu un noņemiet akumulatoru. Pārliedzinieties, ka visas kustīgās daļas ir pilnīgi apstājušās, pirms veikt jebkādas tīrīšanas vai apkopes darbus.
- Drošības apsvērumu dēļ nomainiet nodilušās vai bojātās daļas.
- Bieži pārbaudiet, vai nav radušās nodiluma vai pasliktināšanās pazīmes uz zāles savācēja.
- Regulāri pārbaudiet visus uzgriežņus, stiprinājumus un skrūves, lai pārliedzinātās, ka tās ir cieši pievilktas un izstrādājums ir drošā darba stāvoklī.
- Regulējot iekārtu, rīkojieties uzmanīgi, lai neiespiestu pirkstus starp iekārtas kustīgajiem asmeņiem un fiksētajām daļām.

- Veicot asmeņu apkopi, ņemiet vērā, ka, lai gan barošanas avots ir atslēgts, asmeņus joprojām var kustināt.
- Daudzus šajā lietotāja rokasgrāmatā aprakstītos regulēšanas un remontdarbus varat veikt pats. Citiem produkta remontiem nogādājiet produktu apkopei tikai pilnvarotā servisa centrā.
- Pēc katras lietošanas nofīriet plastikāta daļas ar mīkstu, sausu drānu. Jebkura bojāta detaļa jānodod remontam vai nomaiņai pilnvarotā apkopes centrā.
- Preces asmens ir ass. Esiet uzmanīgi un valkājiet izturīgus cimdus, kas pievienojat, nomaināt, tīrāt vai pārbaudāt skrūves drošību.
- Asmens skrūvei ir jābūt pietiekoši novilkta. Skatiet ražotāja ieteikumus par asmens skrūves pievilkšanas spēku, kurus var atrast šīs rokasgrāmatas izstrādājumu specifikāciju sadaļā.

## NOSPROSTOJUMA NOVĒRŠANA

- Apturiet izstrādājumu, izņemiet bloķēšanas atslēgu un noņemiet akumulatoru. Pārlicinieties, ka visas kustīgās daļas ir pilnīgi apstājušās.
- Pārbaudot un novēršot nosprostojumus, vienmēr izmantojiet izturīgus aizsargcimdus. Asmeņi ir asi un nosprostojums pats var būt ass priekšmets.
- Noņemiet zāles savācēju. Pārbaudiet un uzmanīgi iztīriet zāles uztvērēju no nosprostojušiem.
- Pārbaudiet zāles izmešanas atveri, vai tajā nav nosprostojumu, un kārtīgi to iztīriet.
- Apgāziet produktu uz sāna. Pārbaudiet tā apakšdaļu un zonu ap asmeni. Rūpīgi iztīriet jebkādas atrastos nosprostojumus. Atcerieties, ka tīrīšanas laikā asmens var kustēties.

## PAZĪSTIET SAVU IERĪCI

Skatīt 163. lappusi

1. Saskarnes ekrāns
2. Palaišanas poga
3. Ieslēgšanas/Izslēgšanas svira
4. Teleskopiskais rokturis
5. Lietotāja rokasgrāmata
6. Roktura fiksācijas svira
7. Slēdža atslēga
8. Indikators zāles kaste ir pilna
9. Pļaušanas augstuma regulēšanas svira

10. Ātri atlaižams stiprinātājs
11. Zāles satvērējs
12. Akumulatora nodalījuma durtiņas
13. Aizmugures ritenis
14. Priekšējais ritenis
15. Smalcinātājs
16. Akumulators
17. Lādētājs

## UZ PRECES ESOŠIE SIMBOLI



Izlasiet un izprotiet visas norādes pirms produkta lietošanas. Ievērojiet visus brīdinājumus un drošības norādes.



Lietojiet dzirdes aizsargus



Valkājiet acu aizsargaprīkojumu



Neizmantojiet produktu slīpumā, kas lielāks par 15°. Pjaukrite skersai šlaitu, niekada nepjaukrite aukštyn ir žemyn.



Nepakļaujiet lietum vai mitriem apstākļiem.



Uzmanieties no asiem asmeņiem. Asmeņi turpina griezties pēc motora izslēgšanas. Pirms apkopes izņemiet bloķēšanas atslēgu.



Sargieties no izmestiem vai lidojošiem priekšmetiem. Nodrošiniet, ka nepiederošas personas, bērni un dzīvnieki atrodas vismaz 15 m attālumā no darba zonas.



Aiziet



Apturēt



Izlietotie elektroprodukti nedrīkst tikt izmesti kopā ar mājtsaimniecības atkritumiem. Lūdzu, nododiet tos attiecīgajās atkārtošanas vietās. Sazinieties ar savu vietējo varas pārstāvi vai izplatītāju, lai noskaidrotu, kur iespējama atkārtota pārstrāde.



Eiropas atbilstības zīme



Lielbritānijas atbilstības zīme



EurAsian atbilstības marķējums



Ukrainas atbilstības zīme



Garantētais skaņas intensitātes līmenis



1. pozīcija uz teleskopiskā roktura



2. pozīcija uz teleskopiskā roktura

## SIMBOLI ŠAJĀ ROKASGRĀMATĀ



Atsevišķi nopērkamās daļas vai piederumi



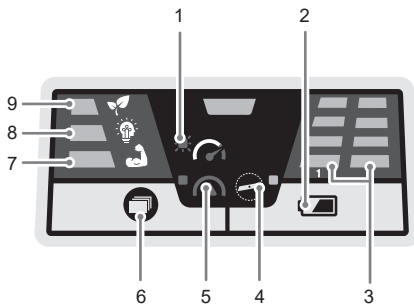
Piezīme



Brīdinājums

## SASKARNES EKRĀNA PĀRSKATS

Saskarnes ekrāns rāda produkta statusu un stāvokli.



1. Augsta slodze – norāda, ka slodze ir pārāk liela pašreizējiem iestatījumiem un produkts var apstāties. Pārslēdzieties uz palielinātas jaudas režīmu, palieliniet pļaušanas augstumu vai samaziniet iešanas ātrumu.

2. Akumulatora uzlādes statusa poga - nospiežot, tiek ieslēgts akumulatora uzlādes līmeņa indikators.
3. Akumulatora līmeņa indikators – norāda atlikušo akumulatoru bloku uzlādes līmeni.
  - Ja deg tikai viena LED diode, akumulatora bloka uzlādes līmenis ir mazāks nekā 25 %.
  - Ja deg divi LED indikatori, akumulatora bloka uzlādes līmenis ir starp 25 % un 50 %.
  - Ja deg trīs LED indikatori, akumulatora bloka uzlādes līmenis ir starp 50 % un 75 %.
  - Ja deg četri LED indikatori, akumulatoru bloks ir pilnīgi uzlādēts. Akumulatora kapacitāte ir 75%-100%.
4. Asmens pārbaudes indikators – norāda, ja nepieciešams pārbaudīt asmeni. Nomainiet trulu asmeni, lai uzturētu produktu labā darba kartībā.
5. Pārslodzes indikators – norāda, ka produkts ir pārslogots un, iespējams, ka asmens ir iestrēdzis.
6. Režīma poga – nospiežot, tiek mainīts produkta griešanas režīms.
7. Palielinātas jaudas režīms – norāda, ka asmens darbojas ar palielinātu ātrumu intensīvai zāles pļaušanai.
8. Viedais režīms – norāda, ka pļaujmašīna var pielāgot asmens ātrumu, atkarībā no produkta slodzes pļaušanas laikā.
9. Eko režīms – norāda, ka asmens darbojas ar pazeminātu ātrumu plānas zāles pļaušanai.



Gaminant šią akumuliatorinę vejąplovę didžiausia svarba buvo teikiama jo saugai, efektyvumui ir patikimumui.

## NAUDOJIMO PASKIRTIS

Belaidė vejąplovė yra skirta naudoti tik lauke.

Šis produktas yra skirtas pjauti žolę aplink namus. Tai yra už jos pėsčiomis einančio asmens valdoma vejąplovė, kuri sukonstruota stumti rankomis.

Gaminio jokiū būdu negalima naudoti, jeigu ratukai nesiekia žemės. Jos negalima traukti arba ant jos važiuoti.

Nenaudokite kitais tikslais.

## BENDRIEJI SAUGOS ĮSPĖJIMAI

- Išsaugokite šią instrukciją ateičiai.
- Įrenginį naudokite tik su šia vadove nurodytu elektros akumuliatoriumi. Naudojant akumuliatorinį prietaisą, visada privaloma laikytis pagrindinių saugos taisyklių, kad būtų sumažinti gaisro, baterijų ištekėjimo ir susižalojimo pavojai.

## ASMENINĖ SAUGA

- Jokiū būdu neleiskite naudoti, valyti ar prižiūrėti prietaisą vaikams, žmonėms su robotais fiziniiais, jutikliniais ar protiniais gebėjimais, arba nesuspajzinusiems su šiomis instrukcijomis asmenimis. Vietos įstatymai gali apriboti įrengimo operatoriaus amžių. Vaikus reikia tinkamai prižiūrėti, kad jie nežaistų su krūmapjove.
- Gerai žinoti apie valdiklius ir tinkamą krūmapjovės naudojimą.
- Dėvėkite sunkias, ilgas kelnes, ilgas rankoves ir tvirtą, neslystančią avalynę. Neleidžiama vilkėti trumpių kelnių ir avėti sandalų ar būti basiems. Nedėvėkite laisvų drabužių arba drabužių su kabančiais raišteliais arba virvelėmis.
- Šlaituose gaminį reikia stumti skersai, jokiū būdu ne aukštyn ir žemyn šlaito. Būkite itin atsargūs ant šlaitų keisdami kryptį. Visada tvirtai stovėkite ir išlaikykite pusiausvyrą. Visada eikite, niekada nebėkite.
- Nenaudokite prietaiso arti skardžių, griovių, lapai stačių šlaitų ar pylimų.
- Visada dėvėkite apsauginius akinius.
- Įrenginys gali amputuoti rankas ir pėdas, taip pat svaityti daiktus. Nesilaikant visų saugos taisyklių galima rimtai susižeisti ar net žūti.

- Dirbdami su prietaisu būkite budrūs, stebėkite, ką darote bei vadovaukitės sveika nuovoka. Nesinaudokite šiuo prietaisu, kai esate pavargę, sergate, ar esate pavartoję alkoholio, narkotikų ar vaistų. Neatidžiai elgdamiysi su šiuo prietaisu galite sunkiai susižeisti.

## DARBO APLINKA

- Jokiū būdu negalima naudoti gaminio, jeigu 15 m spinduliu yra žmonių, ypač vaikų, taip pat – naminių gyvūnų, nes juos gali sužeisti iš po geležčių ištykstantys objektai.
- Gaminį galima naudoti tik dienos šviesoje arba esant geram dirbtiniam apšvietimui.
- Nenaudokite įrankio ant šlapios žolės bei lietuje.
- Turėkite omenyje, kad operatorius arba vartotojas yra atsakingas už nelaimingus atsitikimus arba kitiems asmenims ar jų turtui sukeltą pavojų.
- Nuo žoliapjovės geležčių atsitrenkę objektai gali sunkiai sužaloti žmones. Gerai patikrinkite tą vietą, kurią pjausite žoliapjove bei pašalinkite visus akmenis, pagalius, metalo gabalus, laidus, kaulus, žaislus ir kitus pašalinius objektus. Reikia atminti, kad virvė arba viela gali įspainuoti į pjovimo įtaisus.
- Nenaudokite prietaiso, jei šalia yra degios ir sprogti galinčios medžiagos (skysčiai, dujos ar dulkės). Prietaisas gali kibirkščiuoti ir gali uždegti dulkes arba garus.
- Gaminio negalima naudoti, jeigu yra perkūnijos ar žaibavimo grėsmė.
- Operatoriui nežinant, kad šalia yra vaikai, gali įvykti nelaimingi atsitikimai. Vaikams visada šis įrengimas bei pats pjovimo procesas yra įdomus. Niekada nemanykite, kad vaikai išliks toje pačioje vietoje, kur juos pirmiau matėte.
- Būkite ypač atsargūs artėdami prie kampų, už kurių nesimato, krūmokšnių, medžių ar kitų objektų, įskaitant kabančius krūmus, galinčius jums užstoti vaizdą.

## ĮRANKIO SU AKUMULIATORIUMI NAUDOJIMAS IR PRIEŽIŪRA

- Perskaitykite, supraskite ir griežtai vadovaukitės saugos instrukcijomis, pridėdamomis prie prietaiso baterijos ir įkroviklio. Nesilaikant saugos instrukcijų, gali įvykti elektros smūgis, kilti gaisras ar kitos pavojingos situacijos. Visas instrukcijas laikykite kartu saugioje vietoje, kad prirėikus galėtumėte jas bet kada paskaityti.



- Akumulatorinių įrankių prie maitinimo šaltinio prijungti nereikia, todėl jie visuomet paruošti naudoti. Kai gaminys nenaudojamas, reikia ištraukti izoliatoriaus raktą.
- Prieš reguliuodami, valydami įrankį ar šalindami nuopjovas iš įrankio, visada išimkite akumuliatorių.
- Patikrinkite, ar izoliatoriaus raktas yra ištrauktas tik tada tvirtinkite akumuliatorių.
- Pakartotinai kraukite akumuliatorių tik naudodami gamintojo nurodytą įkroviklį. Naudojant įkroviklį su nesuderinamu akumuliatoriumi gali sukelti gaisro pavojų. Akumuliatorių naudokite tik su sąraše pateiktu įkrovikliu.
- Naudokite tik šiam įrankiui skirtą akumuliatorių. Kitokių akumuliatorių naudojimas gali sukelti gaisrą, elektros smūgį ar sužeidimus.
- Kai akumuliatorius nenaudojamas, jį laikykite toliau nuo kitų metalinių daiktų, pavyzdžiui, sąvaržėlių, monetų, raktų, vinių, varžtų ar kitų mažų metalinių daiktų, kurie vieną gnybtą gali sujungti su kitu. Įvykus baterijų paketo gnybtų trumpajam jungimui, gali pasipilti kibirkštys, apdegti aplinkiniai objektai, įvykti gaisras ar sprogimas.
- Baterinių įrankių ar jų baterijų nelaikykite prie ugnies ar karščio. Taip sumažinsite sprogimo ir sužeidimų pavojų.
- Niekada nebandykite akumuliatoriaus atidaryti ar išardyti. Išsiskiriantys elektrolitai yra koroziniai bei gali pakenkti akims ir odai. Juos prarijus, jie gali būti nuodingi.
- Akumuliatorių saugokite nuo drėgmės ir vandens. Įrankio neįkraukite drėgnose ar šlapiose vietose. Šios taisyklės laikymasis sumažins elektros smūgio riziką.
- Akumuliatorių pažeidus gali išsiskirti garai. Išėikite į gryną orą ir jei vis dar prastai jaučiatės, kreipkitės į gydytojus. Garai gali dirginti kvėpavimo organus.
- Nepalikite baterijų paketo transporto priemonėje, kai karšta arba šalta.
- Akumuliatoriaus nedeginkite.
- Netinkamomis sąlygomis iš akumuliatoriaus gali ištėkėti skystis - nelieskite jo. Jei atsitiktinai prisilietėte - nuplaukite vandeniu. Jei skystis pateko į akis, nedelsiant kreipkitės į gydytoją. Iš akumuliatoriaus ištėkėjęs skystis gali nudeginti ar sukelti sudirginimus.

## VEJAPJOVĖS SAUGOS PERSPĖJIMAI

- Prieš naudodamiesi įrenginiu visada įsitikinkite, kad peiliai, peilių varžtai ir pjoviklio blokas yra nenusidėvėję ir nepažeisti. Siekiant išlaikyti įrankio pusiausvyrą, nusidėvėjusias ar pažeistas geležtes ir varžtus pakeiskite.
- Prireikus pakeisti sugadintas ar neįskaitomas etiketes, gaminį reikia nugabenti į įgaliotą techninio aptarnavimo centrą.
- Jei nėra būtino reikalo, netraukite prietaiso atgal. Jei būtina prietaisą statyti ne prie sienos ar išvengiant kliūčių, pirmiausia patikrinkite po prietaisu ir už jo, kad už jo neužkliūtumėte ir jo neužsiverstumėte ant kojų.
- Išjunkite įrenginį ir palaukite, kol peilis sustos, jei įrenginį reikia paversti, transportuojant jį ne žole apaugusiais paviršiais ir transportuojant įrenginį į darbo vietą ir iš jos.
- Niekada nenaudokite įrenginio, jei jo apsauginiai gaubtai ar užtvartai yra apgadinti, arba jei nėra apsauginių įtaisų, pavyzdžiui, jei nesumontuoti kreiptuvai ir žolės gaudyklė.
- Nepaverskite įrenginio įjungdami variklį arba varikliui veikiant. Jei tai yra visiškai būtina, vejamajam priekį galite pakelti ne daugiau kaip 5 cm, kad būtų galima lengviau pradėti važiuoti. Norėdami tai padaryti, nuspauskite vairo rankeną. Visada prieš įjungdami pastatykite vejamąją į įprastą padėtį su visais ratais ant pagrindo. Pavertus vejamąją atsiveria peilis, todėl padidėja tikimybė, kad ji gali išsviesti daiktus arba jie gali netyčia prie jos prisiliesti.
- Neužveskite įrenginio stovėdami priešais žolės išmetimo angą.
- Gaminį reikia paleisti naudotojui stovint už vairalazdžių, saugos zonoje. Jokiu būdu negalima paleisti gaminio, jeigu:
  - žolės iškrovimo anga yra atidengta ir jos nesaugo žolės surinkimo dėžė ir žolės iškrovimo angos dangtis
  - aplinkinių asmenų plaštakos ir pėdos arti pjovimo įdėklo.
- Įrenginį įjunkite atsargiai, laikydamiesi nurodymų ir laikydami rankas bei pėdas atokiai nuo peilių. Rankų ar kojų nelaikykite šalia besisukančių detalių ar po jomis. Visada laikykitės saugaus atstumo nuo išmetimo angos.



- Jokiu būdu negalima kelti gaminio ar jį nešti veikiant varikliui.
- Sustabdykite gaminį, ištraukite izoliatoriaus raktą ir akumuliatorių. Patikrinkite, ar visos judančio dalys visiškai nustojo sukintis.
  - paliekant gaminį be priežiūros (taip pat išmetant žolės nuopjovas).
  - prieš valydami užsikimšusią žolę arba atkimšdami iškrovimo angą
  - prieš tikrindami ar valydami prietaisą arba prieš pradėdami juo pjauti žolę;
  - Prieš nuimdami žolės gaudyklę arba atidarydami žolės išmetimo angos dangtį
  - prietaisui atsitrenkus į pašalinį objektą: apžiūrėkite, ar prietaisas neapgadintas ir, jei reikia., pasirūpinkite, kad prieš jį vėl paleidžiant ir naudojant būtų pataisytas;
  - Prietaisui pradėjus neįprastai vibruoti (kuo skubiau patikrinkite).
    - reikia patikrinti, ar nėra gedimų, ypač – ar nepažeistos geležtės.
    - pakeiskite ar suremontuokite visas pažeistas dalis
    - patikrinkite, ar nėra atsilaisviusių detalių ir jas priveržkite
- Pjovimo geležtė turi sukintis apytiksliai lygiagrečiai žemei, virš kurios ji stumiama.
- Gaminio geležtė aštri. Montuojant, keičiant dalis, valant ar tikrinant varžtų įsukimo tvirtumą, reikia būti atsargiems ir mūvėti patvarias pirštines.
- Gaminio jokiu būdu negalima naudoti, jeigu jį./išj. jungiklio ant vairalazdės neįmanoma tinkamai paleisti ir tai stabdo gaminį.
- Jokiu būdu nemėginkite uždėti jį./išj. jungiklio kaiščio, kai jungiklis ĮJUNGTAS: tai labai pavojinga.
- Nenaudokite per didelės jėgos. Prietaisą naudodami pagal pagamintą tinkamą greitį, darbą atliksite geriau ir saugiau.
- Stumdami žoliapjovę per žvyrą ar asfaltą, prietaisą išjunkite, kad geležtės sustotų.
- Venkite skylių, provėžų, iškilimų, akmenų ar kitų paslėptų objektų. Nelygioje teritorijoje galima paslysti ir išgriūti.
- Surenkant gaminį ar lankstant rankeną, būtina reiklia patikrinti, ar neįstrigęs, nesuspaustas ar kitaip nepažeistas variklio valdymo laidas.
- Ilgiau naudojant, įrankis kelia sužeidimų pavojų ir apsunkina darbą. Naudodamiesi įrenginiu ilgesnį laiką, būtina darykite pertraukas.

## PAPILDOMI AKUMULIATORIAUS SAUGOS ĮSPĖJIMAI

- Siekdami išvengti trumpojo jungimo sukeliama gaisro pavojaus, sužalojimų arba produkto pažeidimų, neikiškite įrankio, keičiamo akumulatoriaus arba įkroviklio į skysčius ir pasirūpinkite, kad į prietaisus arba akumulatorius nepatektų jokių skysčių. Koroziją sukeliantys arba laidūs skysčiai, pvz., sūrus vanduo, tam tikri chemikalai ir balikliai arba produktai, kurių sudėtyje yra baliklių, gali sukelti trumpąjį jungimą.
- Neišmeskite akumuliatorių blokų kartu su buitinėmis atliekomis. Juos reikia surinkti atskirai ir grąžinti į su aplinkosauga suderinamą perdirbimo įmonę. Patarimų dėl perdurbimo ir informacijos apie surinkimo punktus kreipkitės į savo vietos valdžios institucijas.

## GAMINIO SAVYBĖS

### PERKROVOS IR PERKAITIMO APSAUGA

Gaminys turi apsaugos nuo perkrovų įtaisą. Aptikęs perkrovą, gaminys automatiškai išsijungs. Jei suveikia apsaugos nuo perkrovos saugiklis, įjungimo / išjungimo svirtį privaloma atleisti. Paspauskite užvedimo mygtuką ir nuspauskite įjungimo / išjungimo svirtį, kad įrenginys vėl būtų užvestas. Jei įrenginys vis tiek neužsiveda, išimkite ir vėl įdėkite akumuliatorių.

Baterijų pakete įmontuota apsauga nuo perkaitimo. Esant ekstremalioms temperatūroms akumulatorius įrankio nebekrauna. Jei akumulatorius per daug įkaitęs, palaukite, kol jis atvės, ir tik tada tęskite darbą. Jei įrankis vis tiek neveikia, akumuliatorių įkraukite.

**PASTABA:** LED įkroviklio lemputė nešviečia, jei akumulatoriaus apsauginis įtaisas sustabdo energijos tiekimą į įrankį. Išjunkite įrenginį arba išimkite iš įrenginio akumuliatorių, ir akumulatoriaus kontrolinė lemputė vėl pradės veikti įprastai.

### TELESKOPINĖ RANKENA

Gaminys turi yra įrengtą teleskopinę rankeną, kurią galima reguliuoti saugojimui ir eksploatavimui. Nustatant įrenginį naudojimui, rankeną būtina ištraukti į 1 arba 2 padėtį. Rankena privalo būti užfiksuota rankenos fiksavimo svirtimi ir greito atleidimo fiksatoriumi. Laikant vertikaliai, rankena būtina privalo būti užfiksuota.

## DVI ANGOS AKUMULIATORIAMS

Įrenginys gali veikti naudojant vieną ar du akumulatorius. Du akumulatoriai tiekia daugiau elektros energijos ir užtikrina didesnę galią bei pailgina veikimo laiką.

### BENDRIEJI VEJŲ PJOVIMO PATARIMAI

Baterijos veikimo trukmė priklauso nuo žolės būklės, ilgio ir tankumo.

Nustatykite vejapjovės pjovimo aukštį pagal pjaunamos vejos būklę.

- Veiksmingiausia nupjauti trečdalį ar mažiau viso žolės aukščio.
- Pjaudami aukštą žolę sumažinkite ėjimo greitį. Taip pjovimas bus efektyvesnis ir geriau išsivalys nuopjovos.
- Kuo didesnis pjovimo aukštis pasirenkamas, tuo ilgiau veikia baterija.

### GABENIMAS IR LAIKYMAS

- Sustabdykite gaminį, ištraukite izoliatoriaus raktą ir akumulatorių. Patikrinkite, ar visos judančio dalys visiškai nustojo sukstis. Prieš padėdami įrenginį į saugojimo vietą arba veždami jį transporto priemonėje, palaukite, kol jis atvės.
- Nuo įrankio nuvalykite visas pašalines medžiagas. Laikykite vėsioje, sausoje, gerai vėdinamoje ir vaikams nepasiekiamoje vietoje. Laikykite gaminį toliau nuo korozinių medžiagų, pvz. sodo chemikalų ir tirpdančių druskų. Nelaikykite įrenginio lauke.
- Norėdami gaminį pervežti transporto priemonėje, išimkite izoliatoriaus raktą ir pritvirtinkite jį, kad jis nejudėtų ar neiškristų ir nesužalotų žmonių, jam nebūtų padaryta žala.
- Būkite labai atsargūs keldami arba paversdami įrenginį, kai norite atlikti techninės priežiūros ar valymo darbus, kai norite jį pastatyti į saugojimo vietą arba jį gabenti. Geležtė aštri. Visas korpuso dalis laikykite atokiai nuo atidengtos geležtės.

### LIČIO BATERIJŲ TRANSPORTAVIMAS

Akumulatorių gabenkite pagal vietinius ir šalies reikalavimus bei nuostatas.

Akumulatorius gabenant trečiajai šaliai būtina laikytis visų specialių reikalavimų, nurodytų pakuotėse ir etiketėse. Užtikrinkite, kad gabenimo metu nei vienas akumulatorius nesiliestų su kitais akumulatoriais arba laidžiosiomis medžiagomis

– apsauginius jungiamuosius elementus uždenkite izoliacinėmis nelaidžiomis movomis arba juosta. Įskilusių ir tekančių akumulatorių negabenkite. Dėl tolesnių patarimų kreipkitės į transporto įmonę.

### PRIEŽIŪRA

- Keitimui naudokite tik originalias gamintojo atsargines dalis. Neoriginalios dalys gali būti sužeidimų ir įrenginio blogo veikimo priežastis, ir dėl to gali būti anuliuotas garantinis pažymėjimas.
- Aptarnavimą atlikti būtina itin atidžiai, todėl rekomenduojame, kad techninę apžiūrą vykdytų kvalifikuotas specialistas. Įrenginį techninei priežiūrai pristatykite tik į įgaliojantį techninės priežiūros centrą.
- Sustabdykite gaminį, ištraukite izoliatoriaus raktą ir akumulatorių. Prieš valydami arba atlikdami techninę priežiūrą pasirūpinkite, kad visos judančios dalys visiškai sustotų.
- Nusidėvėjusias ar apgadintas detales pakeiskite, kad nekiltų pavojaus saugumui.
- Pastoviai tikrinkite, ar žolės gaudytuvas nėra susidėvėjęs ar sugedęs.
- Dažnai tikrinkite visas varžles, varžtus ir sraigtus, ar jie tvirtai laikosi ir ar gaminyje yra saugios darbo būklės stovyje.
- Reguluodami prietaisą būkite atsargūs, kad pirštai nepatektų tarp judančių geležčių ir stabilių detalių.
- Prieš pradėdami peilių techninės priežiūros darbus, nepamirškite, kad nors maitinimo šaltinis yra išjungtas, peiliai vis tiek gali sukstis.
- Prietaisą galite reguliuoti ir remontuoti, kaip aprašyta šiame naudotojo vadove. Įrenginį techninei priežiūrai ir remontui pristatykite tik į įgaliojantį techninės priežiūros centrą.
- Po kiekvieno panaudojimo nuvalykite plastikinę dalis minkšta, sausa šluoste. Bet kurią apgadintą detalę leidžiama remontuoti arba keisti tik autorizuotame aptarnavimo centre.
- Gaminio geležtė aštri. Montuojant, keičiant dalis, valant ar tikrinant varžtų įsukimo tvirtumą, reikia būti atsargiems ir mūvėti patvarias pirštines.
- Geležtės varžtai turi būti vienodai priveržti. Žiūrėkite gamintojo rekomendacijas dėl geležtės varžtų priveržimo sukimo momento, kurias galima rasti šiame vadove gaminio specifikacijų lentelėje.

## KAMŠČIO VALYMAS

- Sustabdykite gaminį, ištraukite izoliatoriaus raktą ir akumuliatorių. Patikrinkite, ar visos judančio dalys visiškai nustojo sukstis.
- Tikrinant, ar gaminys neužsikimšęs bei šalinant kamštį, būtina dėvėti storas darbo pirštines. Peiliai yra aštrūs, be to, tai, kas juos gali užblokuoti, taip pat gali būti aštrus daiktas.
- Nuimkite žolės gaudyklę. Patikrinkite žolės gaudyklę, ar ji neužkimšta, ir atsargiai ją išvalykite.
- Patikrinkite žolės šalinimo angą, kad nebūtų blokuojančių objektų, ir atidžiai juos pašalinkite.
- Paverskite įrenginį ant šono. Patikrinkite jo apačią ir sritį aplink peilį. Kruopščiai išvalykite visus rastus nešvarumus. Atminkite, kad valymo metu geležtė gali pajudėti.

## PAŽINKITE SAVO GRANDININĮ PJŪKLĄ

Žr. 163 psl.

1. Valdymo skydelis
2. Užvedimo mygtukas
3. Įjungimo / išjungimo svirtis
4. Teleskopinė rankena
5. Naudotojo vadovas
6. Rankenos fiksavimo svirtis
7. Izoliatoriaus raktas
8. Pilnos žolės dėžės indikatorius
9. Žolės pjovimo aukščio reguliavimo svirtis
10. Sparčiojo atpalaidavimo skląstis
11. Žolės gaudyklė
12. Akumuliatoriaus dangtelis
13. Galinis ratukas
14. Priekinis ratukas
15. Mulčiavimo kištukas
16. Baterija
17. Įkroviklis

## SIMBOLIAI ANT ĮRENGINIO



Reguliariai ir prieš kiekvieną naudojimą tikrinkite, ar tinkamai užveržti visi sraigtai, varžtai ir veržlės, kad užtikrintumėte saugą darbo aplinką. Vadovaukitės visais įspėjimais ir saugos taisyklėmis.



Dėvėkite ausų apsaugos priemones



Dėvėkite apsauginius akinius



Nenaudokite įrenginio ant statyinių nei 15° šlaitų. Pjunkite skersai šlaitų, niekada nepjunkite aukštyrų ir žemyn.



Neleiskite gaminiui būti po lietumi arba drėgnose sąlygose.



Saugokitės aštrių geležčių. Išjungus variklį, peiliai dar kurį laiką sukasi. Ištraukite izoliatoriaus raktelį, prieš atlikdami techninę priežiūrą.



Saugokitės išmetamų arba skrendančių objektų. Visi pašaliečiai, ypač vaikai ir naminiai gyvūnai, privalo būti bent 15 m atstumu nuo darbo vietos



Paleisti



Stabdyti



Elektrinių produktų atliekos neturi būti metamos kartu su namų ūkio atliekomis. Prašome perdirbkite jas ten, kur yra tokios perdirbimo bazės. Dėl perdirbimo patarimo kreipkitės į savo vietinę savivaldybę ar pardavėją.



Europos atitikties ženklas



Didžiosios Britanijos atitikties ženklas



„EurAsian“ atitikties ženklas



Ukrainos atitikties ženklas



Garantuotas akustinis lygis



1 padėtis teleskopinėje rankenoje



2 padėtis teleskopinėje rankenoje

## SIMBOLIAI VADOVE



Detalės arba priedai yra parduodami atskirai



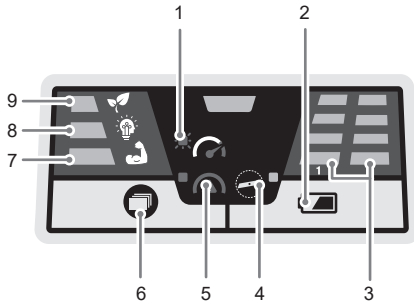
Pastaba



Išpėjimas!

## VALDYMO SKYDELIO APŽVALGA

Valdymo skydelyje rodoma įrenginio būseną ir būklę.



1. Didelė apkrova parodo, kad apkrova yra per didelė dabartinei nuostatai ir įrenginys gali sustoti. Perjunkite galios režimą, padidinkite žolės pjovimo aukštį arba eikite lėčiau.
2. Akumuliatoriaus įkrovos būsenos mygtukas: jį paspaudus, įjungiamas baterijos įkrovos lygio indikatorius.
3. Akumuliatoriaus įkrovos indikatorius parodo likusią akumuliatorių įkrovą.
  - Jei šviečia tik vienas šviesos diodas, akumuliatoriaus įkrova yra mažesnė nei 25 %.
  - Jei šviečia du šviesos diodai, akumuliatoriaus įkrova yra nuo 25 % iki 50 %.
  - Jei šviečia trys šviesos diodai, akumuliatoriaus įkrova yra nuo 50 % iki 75 %.
  - Jei šviečia keturi šviesos diodai, akumuliatorius yra visiškai įkrautas. Akumuliatoriaus įkrova yra nuo 75% iki 100%.
4. Peilio tikrinimo indikatorius parodo, kad reikia patikrinti peilį. Pakeiskite atbukusį peilį nauju, kad įrenginys būtų tinkamos darbinės būklės.
5. Perkrovos indikatorius parodo, kad įrenginys yra perkrautas ir kad gali būti užstrigęs peilis.
6. Režimo mygtukas: jį paspaudus, pakeičiamas įrenginio pjovimo režimas.
7. Galios režimas parodo, kad peilis veikia dideliu greičiu pjaunant tankią žolę.
8. Išmanusis režimas parodo, kad veļapjovė gali reguliuoti peilio sukimosi greitį, atsižvelgiant į įrenginio apkrovą įprastai pjaunant žolę.
9. Taupymo režimas parodo, kad peilis veikia mažu greičiu pjaunant retą žolę.

Akutoitega muruniiduk konstrueerimisel on peaeesmärgiks olnud toote ohutus, tootlikkus ja töökindlus.

## OTSTARBEKOHANE KASUTAMINE

Juhtmeta muruniidukit tohib kasutada ainult välitingimustes.

Muruniiduk on ette nähtud muru niitmiseks vaid koduaias. See on käies juhitud ja kätega enda ees lükatav muruniiduk.

Kultivaatorit ei tohi kunagi nii kasutada, et rattad on maapinna kohal. Seda ei tohi tõmmata ega sellel sõita.

Ärge kasutage ühekski muuks otstarbeks.

## OHUTUSE ÜLDEESKIRJAD

- Hoidke juhend edaspidiseks kasutamiseks alles.
- Kasutage toodet ainult selles kasutajajuhendis määratud akuga. Patareidega töötava toote kasutamisel tuleb tule-, patareide lekkimise ja kehavigastuste vähendamiseks alati järgida põhilisi ohutusmeetmeid.

## ISIKUKAITSE

- Ärge lubage lapsi ega piiratud füüsiliste, sensorsete ja vaimsete võimetega inimesi ning nende juhistega mittetutvunud inimesi seadet kasutada, puhastada ja hooldada. Kohalikud regulatsioonid võivad seada kasutaja vanusele piiranguid. Laste järele tuleb piisavalt valvata, et nad seadmega ei mängiks.
- Õppige tundma kõiki seadme juhtseadiseid ja kasutusnõudeid.
- Kandke tugevaid pikki pükse, pikki varrukaid ja vastupidavaid libisemiskindlaid jalanõusid. Ärge kandke lühikesi pükse ja sandaale ega olge paljajalu. Vältige selliste riiete kandmist, mis on lödvad või millel on paelad või sidemed.
- Töötamisel suunduge piki kallakut, mitte aga üles või alla. Olge ülimalt ettevaatlik, kui muudate kallakul olles suunda. Hoidke kindlat jalgade asendit ja tasakaalu. Töötamisel kõndige, ärge kunagi jookske.
- Ärge püüdke niita järsakute ja kraavide serval või suurel kaldel ja teetammidel.
- Kandke alati kaitseprille.

- Toode võib käed või jalad maha lõigata ning esemeid lendu paisata. Kõikide ohutusjuhiste mittetäitmine võib põhjustada tõsiseid vigastusi või surma.
- Seadmega töötamisel jälgige tööpiirkonda ja kasutage sealjuures tervet mõistust. Ärge kasutage seadet väsinuna või haigena ega siis, kui olete uimaste, alkoholi või ravimite mõju all. Hetkeline tähelepanu hajumine muruniiduki kasutamise ajal võib põhjustada raske kehavigastuse.

## TÖÖKOHT

- Ärge mingil juhul kasutage kohas, kus inimesed, eriti lapsed või koduloomad on kuni 15 meetri kaugusel, sest lõiketeralt õhkupaisatud objektid on ohtlikud.
- Kasutage kultivaatorit ainult päevalvalguses või hästivalgustatud kohas.
- Ärge kasutage muruniidukit niiskes või märjas kohas ega viimas.
- Pidage meeles, et operaator või kasutaja on vastutav õnnetuste või ohuolukordade eest, mis võivad puudutada teisi inimesi või nende vara.
- Muruniiduki tera poolt loodud objektid võivad põhjustada isikutele mitmeid vigastusi. Kontrollige muruniiduki kasutamise ala hoolikalt üle ja eemaldage kõik kivid, vaiad, metallesemed, traat, kondid, mänguasjad ning muud esemed. Pidage meeles, et nõõrid ja traadid võivad takerduda lõiketeradesse.
- Ärge kasutage muruniidukit plahvatusohtlikes keskkondades, näiteks kergestisüttivate vedelike ja gaaside läheduses ega tolmuses kohas. Elektriööriistad võivad tekitada sädemeid, mis võivad tolmu või aurud süüdata.
- Ärge kasutage seadet kui on äikese oht.
- Traagilised õnnetused võivad juhtuda, kui kasutaja ei märka laste kohalolekut. Lastele meeldib väga tihti masin ja niitmise. Ärge eeldage kunagi, et lapsed püsivad seal, kus te neid viimati nägite.
- Olge eriti hoolikas, kui lähenete pimedatele nurkadele, põõsastele, puudele või teistele objektidele (nt rippuvad taimed), mis võivad vaadet takistada.

## AKUTÖÖRIISTA KASUTAMINE JA KORRASHOID

- Lugege aku ja akulaadija komplektis olevad ohutusjuhised läbi ja tehke need endale selgeks. Selle nõude eiramine võib põhjustada elektrilööki, tulekahju ja muid ohtlikke olukordi. Hoidke kõiki juhiseid ühes kindlas kohas, et saaksite neid tulevikus lugeda.
- Akutoitega seadmeid ei pea pingestamiseks vooluvõrgu pistikupessa ühendama – need on pinge all kogu aeg. Kui seadet ei kasutata, eemaldage sellelt lahkliiti võti.
- Enne reguleerimist, hooldamist või lõigatavast materjalist puhastamist võtke akupakett välja.
- Enne akupaketi sissepanekut võtke lülitisvõti välja.
- Akupaketti tohib laadida ainult tootja poolt ettenähtud laadijaga. Akupaketiga mittesobiva laadija kasutamine võib põhjustada tuleohtu. Kasutage akupaketi laadimiseks ainult juhendis mainitud laadijat.
- Kasutage ainult seda akupaketti, mis on sellele seadmele ette nähtud. Muude akupakkete kasutamise korral võib tekkida tulekahju, elektrilöögi või kehavigastuse oht.
- Sel ajal kui akupakett ei ole kasutusel, hoidke seda eemal metallesemetest nagu kirjaklambrid, mündid, võtmed, naelad, kruvid ja muudest väikestest metallobjektidest, mis võivad akuklemmid lühistada. Akupaketi klemmide lühistamine võib põhjustada sädemeid, põletust, tulekahju või plahvatust.
- Ärge jätke akusid või toiteelemente lahtise tule lähedusse või kuuma kohta. Selle juhise järgimine vähendab plahvatuse ja võimaliku kehavigastuse ohtu.
- Ärge akupaketti avage ega osadeks lahutage. Vabanev elektrolüüt on korrodeeriv ja võib põhjustada silma- ja nahavigastusi. Allaneelamisel on see mürgine.
- Kaitske akut niiskuse ja vee vastu. Ärge laadige akut niiskes või märjas kohas. Selle reegli järgimine vähendab elektrilöögi ohtu.
- Aku vigastamise või ebaõige kasutamise korral võib eralduda gaase. Kaebuste korral minge värske õhu kätte ja kutsuge arstiabi. Gaasid võivad ärritada hingamissüsteemi.

- Ärge jätke akupaketti sõidukisse kuuma või külma kätte.
- Ärge püüdke akut põletamise teel hävitada.
- Aku vale kasutamise korral võib akuvedelik välja voolata - vältige sellega kokkupuudet. Akuvedeliku nahale sattumisel peske see veega maha. Vedeliku silma sattumisel pöörduge viivitamatult arsti poole. Väljapritsv akuveelik võib tekitada nahaärritust või -põletust.

## MURUNIIDUKI OHUTUSESKIRJAD

- Enne kasutamist kontrollige toodet alati visuaalselt, veendumaks et terad, teramutrid ja lõikurikomplekt poleks kulunud ega kahjustatud. Ärakulunud ja vigastatud lõiketerad ning poldid tuleb asendada komplektis, et säilitada tasakaalustus.
- Pöörduge vigastatud ja loetamatute kleebiste asendamiseks volitatud hoolduskeskuse poole.
- Ärge tõmmake seadet tahasuunas kui see pole tingimata vajalik. Kui peate muruniiduki seinast või takistusest eemale tagurdama, siis vaadake esmalt alla ja taha, et vältida ümberminekut või tõmbamist üle jala.
- Lülitage toode välja ja laske teradel peatuda, kui toodet on tarvis kallutada, et ületada pindu, mille katteks ei ole muru ning toote transportimisel tööalale ja sealt ära.
- Toodet ei tohi kasutada, kui kaitsed on kahjustatud või kui kaitsevahendid (nt suunaja ja murukoguja) ei ole paigaldatud.
- Ärge kallutage toodet, kui lülitate mootori sisse või kui mootor töötab. Kui see on vältimatult vajalik, tohib hõlpsamaks käivitamiseks tõsta muruniiduki esiosa kuni 5 cm. Selleks vajutage käepide alla. Enne kui alustate niitmist, laske niiduk alati tavaasendisse, nii et kõik rattad on maapinnal. Niidukit kallutades tuleb lõiketera esile ning suureneb esemete lendupaikumise ja teraga juhusliku kokkupuute tõenäosus.
- Toote käivitamise ajal ärge seiske muru väljalaskeava ees.
- Kasutaja peab muruniiduki käivitamise ajal olema juhtraua taga ohutus kohas. Ärge mingil juhul käivitage muruniidukit, kui:
  - muru väljalaskeava on avatud ning seda ei kaitse muru kogumiskast ega muru väljalaskeava kate



- käed ja jalad ei ole löikeketta kattest piisaval kaugusel.
- Lülitage toode juhiseid järgides ettevaatlikult sisse ning hoidke käed ja jalad teradest eemal. Ärge pange oma käsi või jalgu pöörlevate osade alla või lähedusse. Hoidke alati puisteavast eemale.
- Ärge mingil juhul mootori töötamise ajal kultivaatorit üles tõstke ega kandke.
- Peatage toode, eemaldage lahküliti või ja aku. Veenduge, et kõik masina liikuvad osad on täielikult seiskunud:
  - kui jätate seadme järelevalveta (kui kõrvaldate löikmeid),
  - enne takistuse eemaldamist või väljalaskeava ummistuse puhastamist
  - enne kontrollimist, puhastamist või teenindamist,
  - enne murukoguja eemaldamist või muru väljalaskeava katte avamist
  - pärast võõrkehade vastu sattumist, enne uuesti käivitamist vaadake see vigastuste suhtes üle ja tehke vajadusel remont,
  - kui muruniiduk hakkab ebanormaalselt vibreerima (kontrollige viivitamatult).
    - vaataate muruniidukit üle, eriti löiketerade vigastuste suhtes.
    - asendage või parandage kõik vigastatud osad
    - kontrollige ja pingutage lõtvunud osad
- Lõiketera peab pöörlema niidetava muru pinnaga ligikaudu paralleelselt.
- Seadme lõiketera on terav. Olge nende paigaldamise, asendamise ja kinnituspoldi kinnituse kontrollimise ajal väga ettevaatlik ning kandke tugevdatud kaitsekindaid.
- Ärge seadet kasutage kui juhtraual olev sisse/välja lülitamise lüliti ei käivita või seiska seadet nõuetekohaselt.
- Ärge püüdke mingil juhul lukustada sisse/välja lülitamise lüliteid asendisse SEES - see on ülimalt ohtlik.
- Ärge kasutage töötamisel liigset jõudu. Õigesti valitud tööriist töötab paremini ja ohutumalt selles võimsuspiirkonnas, milleks on see ette nähtud.
- Kruusastel pindadel liikumisel seisake lõiketera.
- Vältige auke, vagusid, konarusi, kive ja muid varjatud objekte. Ebatasane pinnas võib põhjustada libisemist ja kukkumist.
- Veenduge, et mootori kaabel ei ole kinni jäänud, muljutud või muudmoodi vigastatud kokkupanekul või käepideme kokku voltimisel.
- Seadme pikaajalisel kasutamisel võite saada kehavigastusi ja varasemad vigastused võivad süveneda. Kui kasutate toodet pikaajaliselt, tehke regulaarselt pause.

## AKU LISAOHUTUSJUHISED

- Siekdami išvengtį trumpojo jungimo sukeliama gaisro pavojaus, sužalojimų arba produkto pažeidimų, nekiškite įrankio, keičiamo akumulatoriaus arba įkroviklio į skysčius ir pasirūpinkite, kad į prietaisus arba akumulatorius nepatektų jokių skysčių. Korrodeeruvad või elektrit juhtivad vedelikud, nagu soolvesi, teatud kemikaalid ja pleegitusained või pleegitusaineid sisaldavad tooted, võivad põhjustada lühist.
- Ärge visake akusid muude olmejäätmete hulka. Need tuleb koguda eraldi ja viia keskkonnasäästlikku jäätmekäitluskohta. Küsige nõu jäätmekäitluse ja kogumiskoha kohta oma kohalikust omavalitsusest või jaemüüjalt.

## TOOTE KIRJELDUS

### ÜLEKOORMUSE JA ÜLEKUUMENEMISKAITSE

Tootel on ülekoormuse kaitseeadis. Kui ilmneb ülekoormus, lülitub toode automaatselt välja. Kui ülekoormuskaitse lülitub sisse, tuleb sisse/välja hoob vabastada. Toote taaskäivitamiseks vajutage start-nuppu ja suruge sisse/välja hooba. Kui toode ikka ei käivitu, paigaldage aku uuesti.

Akupaketil on ülekuumenemise kaitse. Liigne temperatuur põhjustab tööriista toite katkemise. Kui aku on liiga soe, laske sel enne töö jätkamist maha jahtuda. Kui tööriist siiski tööle ei hakka, laadige aku uuesti.

**MÄRKUS.** Akupaketi LED-märgutuli ei tööta, kui aku kaitsefunktsioon on põhjustanud akupaketi toite katkemise. Lülitage toode välja või eemaldage tootest aku ning aku LED-indikaatori tavafunktsioon taastub.

## TELESKOOPKÄEPIDE

Tootel on teleskoopkäepide, mille pikkuse saab hoiustamiseks ja niitmiseks parajaks reguleerida. Toote kasutamisel tuleb teleskoopkäepide seada asendisse 1 või 2. Veenduge, et käepide oleks kinnitatud käepideme lukustushoova ja kiirkinnituse abil. Veenduge, et käepide oleks vertikaalses hoiustamisasendis lukustatud.

## KAHE AKUPESAGA

Toodet saab kasutada kas ühe või kahe aku abil. Kaks akut pakuvad suuremat voolu, tagavad suurema võimsuse ja pikendavad tööaega.

## ÜLDISED MURUNIITMISE SOOVITUSED

Aku tööiga sõltub töötingimustest, töö kestusest ja rohu tihedusest.

Reguleerige muruniiduki lõikekõrgus välja sellisele kõrgusele, mis sobib pügatavale murule.

- Tihedat muru kärpige parima jõudluse saavutamiseks alati esmalt ühe kolmandiku kõrguselt või vähem.
- Kui niidate pikka muru, vähendage jalutuskiirust, et niide oleks efektiivsem ja peenmassi puistamine ühtlasem.
- Kõrgemalt lõikamisel pikeneb aku tühenemise aeg.

## TRANSPORTIMINE JA HOIUSTAMINE

- Peatage toode, eemaldage lahklüliti võti ja aku. Veenduge, et kõik masina liikuvad osad on täielikult seiskunud. Enne hoiustamist või sõidukis transportimist laske tootel maha jahtuda.
- Puhastage seade kõikidest võõrkehadest. Hoidke kuivas ja hästi ventileeritud kohas, mis on lastele juurdepääsmatu. Hoidke seadet eemal korrodeerivatest ainetest, nagu aiakemikaalid ja jääsulatussoolad. Ärge hoiustage toodet väljas.
- Sõidukis transportimiseks eemaldage lahklüliti võti ja kinnitage toode nii, et see ei liiguks ega kukuks. Nii väldite vigastusi inimestele või kahjustusi tootele.
- Olge äärmiselt ettevaatlik toodet hooldamise, puhastamise, hoiulepaneku või transpordi ajal tõstes või kallutades. Lõiketera on väga terav. Kui lõiketera on kaitsmata, siis hoidke kõik oma kehaosad sellest eemale.

## LIITIUMAKUDE TEISALDAMINE

Akude transportimisel juhinduge kasutuskohas kehtivatest riiklikest määrustest ja eeskirjadest.

Akude transportimisel allettevõtjate poolt järgige kõiki pakkimise ja tähistamise erinõudeid. Veenduge, et akud ei satu kokkupuutesse teiste akude ega voolu juhtivate materjalidega, kui avatud klemmid on transportimise ajal kaitstud voolu mittejuhtivate isoleerkorkide või teibiga. Ärge transportige pragunenud või lekkivaid akusid. Küsige lisateavet transportettevõtelt.

## HOOLDUS

- Kasutage ainult tootja originaalvaruosi, tarvikuid ja tööorganeid. Selle nõude eiramine võib põhjustada, kehavigastuse, tootluse languse ja teile antud garantii tühistamise.
- Hooldamine nõuab ülimalt korrashoidu ja teadmisi ning tuleks teostada ainult kvalifitseeritud hooldustehnikute poolt. Toodet tohib parandada vaid volitatud teeninduses.
- Peatage toode, eemaldage lahklüliti võti ja aku. Veenduge, et kõik liikuvad osad on täielikult peatunud enne toote puhastamist või hooldamist.
- Asendage kulunud või vigastatud osad, et tagada ohutus.
- Kontrollige murukogujat sageli kulumise ja halvenemise suhtes.
- Kontrollige kõiki mutreid, polte ja kruvisid sagedaste intervallidega õige pinguloleku suhtes, et vevenduda toote ohutus töökorras olemises.
- Olge seadme reguleerimisel ettevaatlik, et vältida sõrmede jäämist liikuvate lõiketerade ja seadme liikumatute osade vahele.
- Terasid hooldades olge ettevaatlik, sest kuigi toiteallikas on välja lülitatud, võivad terad ikka liikuda.
- Lubatud on teha ainult selles kasutusjuhendis kirjeldatud reguleerimis- ja parandustoiminguid. Muid remonditöid tohivad teha ainult volitatud teeninduskeskused.
- Iga kord pärast kasutamist puhastage plastist osi pehme kuiva lapiga. Vigastatud osad tuleb lasta pädeval hooldajal parandada või asendada.

- Seadme lõiketera on terav. Olge nende paigaldamise, asendamise ja kinnituspoldi kinnituse kontrollimise ajal väga ettevaatlik ning kandke tugevdatud kaitsekindaid.
- Lõiketera poldid peavad olema piisavalt tugevalt kinni. Vaadake käesoleva juhendi toote tehniliste andmete tabelist tootja soovitusi lõiketera poltide pingutusmomendi kohta.

### UMMISTUSE KÕRVALDAMINE

- Peatage toode, eemaldage lahkliitli võti ja aku. Veenduge, et kõik masina liikuvad osad on täielikult seiskunud.
- Seadme kontrollimisel ja ummistumisel kandke tugevdatud kaitsekindaid. Lõiketerad on teravad ja takistuse põhjuseks võib olla terav ese.
- Eemaldage murukoguja. Kontrollige takistuste esinemist murukogujas ja eemaldage need ettevaatlikult.
- Kontrollige muru väljalaskeava takistuste osas ja eemaldage need hoolikalt.
- Pöörake toode küllili. Kontrollige selle põhja ja lõiketera ümbrust. Eemaldage leitud ummistused ettevaatlikult. Pidage meeles, et tera võib puhastamise ajal liikuda.

### ÕPPIGE OMA TOODET TUNDMA

Vt leht 163.

1. Liideseplaat
2. Käivitusnupp
3. Sisse/välja hoob
4. Teleskoopkäepide
5. Kasutusjuhend
6. Käepideme lukustushoob
7. Lülitusvõti
8. Rohukasti täitumise märgutuli
9. Lõikekõrguse reguleerimise hoob
10. Kiirvabastuse fiksaator
11. Rohupüüdur
12. Akupesa kaas
13. Tagaratas
14. Esiratas
15. Multšimissulgur
16. Aku paketiiga
17. Laadija

### MASINAL OLEVAD SÜMBOLID



Enne toote kasutamist lugege läbi ja tehke endale selgeks kõik juhised. Järgige kõiki hoiatusi ja tööohutuseeskirju.



Kandke kuulmiskaitsevahendeid



Kandke silmakaitsevahendeid



Ärge kasutage masinat nõlvadel, mille kalle on üle 15°. Niitke kallakutel olevat muru risti, mitte kunagi ülesalla suunaliselt.



Ärge jätke vihma ega niiskuse kätte.



Olge teravate lõiketeradega ettevaatlik. Kui mootor välja lülitada, jätkavad terad pöörlemist. Eemaldage lahkliitli võti enne hooldustööd.



Hoiduge ülespaisatud ja lendavate esemete eest. Hoidke kõik kõrvalised isikud, eelkõige lapsed ja koduloomad, vähemalt 15 m kaugusel tööpiirkonnast.



Käik



Stopp



Mittekasutatavaid elektritooteid ei tohi visata olmejäätmete hulka. Vaid tuleb viia vastavasse kogumispunkti. Vajadusel küsige sellekohast nõu oma edasimüüjalt või vastavalt kohaliku omavalitsuse institutsioonilt.



Euroopa vastavusmargis



Suurbritannia vastavusmargis



Euraasia vastavusmärk



Ukraina vastavusmargis



Garanteeritud helivõimsuse tase



Teleskoopkäepideme 1. asend



Teleskoopkäepideme 2. asend

## KASUTUSJUHENDI SÜMBOLID



Eraldi ostetavad osad või  
tarvikud



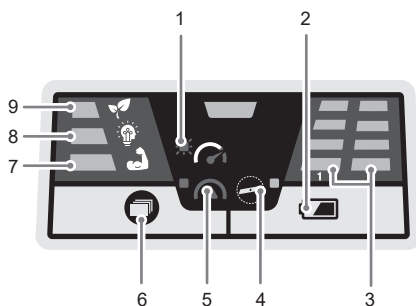
Märkus



Hoiatus

## LIIDESEPLAADI ÜLEVADE

Liideseplaadil kuvatakse toote olek ja seisukord.



1. Suur koormus - näitab, et koormus on praeguse seadistuse jaoks liiga suur ja toode võib seiskuda. Lülitage toiterežiimile, suurendage lõikekõrgust või vähendage kõndimiskiirust.
2. Aku laetuse taseme nupp - lülitab vajutamisel sisse aku tühjenemisnäidik.
3. Aku laetuse näidik - näitab akude laetuse taset.
  - Kui põleb ainult 1 LED-tuli, on aku maht alla 25%.
  - Kui põleb 2 LED-tuld, on aku mahutavus vahemikus 25% kuni 50%.
  - Kui põleb 3 LED-tuld, on aku mahutavus vahemikus 50% kuni 75%.
  - Kui põleb 4 LED-tuld, on aku täiesti täis. Akupakett on laaditud 75% - 100%.
4. Tera kontrollimise näidik - näitab, et tera tuleb kontrollida. Asendage nūri tera, et toode oleks heas töökorras.
5. Ülekoormuse näidik - näitab, et toode on ülekoormatud ja tera võib kinni jääda.
6. Režiiminupp - muudab vajutamisel toote lõikamisrežiimi.
7. Võimsuse režiim - näitab, et tera on valmis suurel kiirusel rohu lõikamiseks.
8. Nutikas režiim - näitab, et niiduk on võimeline reguleerima tera kiirust sõltuvalt toote üldkoormuse tasemest.
9. Ökorežiim - näitab, et tera on õhukese rohu lõikamiseks madalal kiirusel.

Vodeću ulogu u dizajnu vaše akumulatorske kosilice za travu imaju sigurnost, performanse i pouzdanost.

## NAMJENA

Bežična kosilica za travu namijenjena je isključivo uporabi na otvorenom prostoru.

Ovaj uređaj namijenjen je za rezanje travnjaka u domaćinstvu. Kosilicom upravlja pješak koji hoda iza nje koja je konstruirana tako da je operater gura rukom.

proizvod nikada ne smije raditi s podignutim kotačim od tla. Zabranjeno je povlačiti proizvod ili sjediti na njemu dok radi.

Nemojte koristiti oštricu u nikakvu drugu svrhu.

## OPĆA SIGURNOSNA PRAVILA

- Molimo vas da čuvate ove upute radi kasnijeg korištenja.
- Proizvod koristite isključivo s baterijama specificiranim u ovom korisničkom priručniku. Kada se koristi proizvod na baterijski pogon, uvijek se treba pridržavati osnovnih mjera sigurnosti kako bi se smanjio rizik od požara, curenja baterija i tjelesnih ozljeda.

## OSOBA SIGURNOST

- Nikada ne dopustite djeci ili osobama sa smanjenim fizičkim, osjetilnim ili mentalnim mogućnostima ili osobama koje nisu upoznate s ovim uputama da rade, čiste ili oražavaju ovaj proizvod. Moguće je da lokalni propisi propisuju starosnu dob rukovatelja. Djecu je potrebno odgovarajuće nadzirati kako bi se osiguralo da se ne igraju s proizvodom.
- Upoznajte se s upravljačkim elementima i pravilnim korištenjem proizvoda.
- Nosite duge radne hlače, duge rukave i radne cipele s protukliznim potplatom. Nemojte nositi kratke hlače i sandale, ili hodati bosih nogu. Izbjegavajte nositi odjeću koja je labava ili s nje visi konop ili kravata.
- Koristite proizvod uzduž kosine nikada gore i dolje. Posebnu pozornost obratite kada mijenjate smjer na kosini. Zauzmite čvrst stav i ravnotežu. Hodajte, nemojte trčati.
- Nemojte koristiti proizvod pored kosina, jaraka, previše stepenastih kosina ili nasipa.
- Uvijek nosite sigurnosne naočale.

- Proizvod može amputirati ruke i stopala i izbacivati predmete. Propust da se pridržavate svih uputa o sigurnosti može imati za posljedicu ozbiljne osobne povrede ili smrt.
- Budite na oprezu, gledajte to što radite i pri radu s jedinicom koristite zdrav razum. Nemojte raditi s ovim proizvodom kada ste umorni ili pod utjecajem alkohola, droge ili lijekova. Gubitak koncentracije tijekom rada uređaja može dovesti do ozbiljnih osobnih ozljeda.

## RADNA OKOLINA

- Nikada ne koristite proizvod dok su ljudi, posebice djeca ili kućni ljubimci unutar 15 m jer postoji opasnost da predmeti budu odbačeni u kontaktu s oštricom.
- Koristite proizvod po danjem svjetlu ili pri dobroj umjetnoj rasvjeti.
- Nemojte raditi s uređajem u mokroj travi ili na kiši.
- Imajte na umu da je rukovatelj ili korisnik odgovoran za nezgode ili opasnosti koje nastanu drugim osobama ili njihovoj imovini.
- Predmeti koje udari kosilica mogu osobama nanijeti ozbiljne povrede. Temeljito provjerite područje gdje će se uređaj koristiti i uklonite svo kamenje, štapove, metal, žicu, kosti, igračke ili druge strane predmete. Imajet na umu, flaks ili žica mogu se zaglaviti u reznom mehanizmu.
- Nemojte rukovati uređajem u eksplozivnim atmosferama u kojima su prisutne zapaljive tekućine, plinovi ili prašina. Uređaj može stvoriti iskre koje mogu zapaliti prašinu ili pare.
- Nemojte raditi s proizvodom kada postoji opasnost od grmljavinskog nevremena.
- Tragične nezgode se mogu dogoditi ukoliko rukovatelj nije svjestan prisutnosti djece. Djecu čestu privučte stroj i posao košenja. Nikada ne pretpostavite da će djeca ostati tamo gdje ste ih posljednji put vidjeli.
- Posebno pazite na slijepe kutove, grmlje, drveće ili druge objekte, uključujući i grane i grmlje koje vise iznad glave i vam blokiraju vidno polje.

## KORIŠTENJE I BRIGA O AKU ALATU

- Pročitajte, razumite i uvijek slijedite sigurnosne upute koje dolaze s baterijom i punjačem. Nepoštivanje ovog upozorenja

može rezultirati električnim udarom, požarom ili drugim opasnim situacijama. Držite sve upute zajedno na sigurnom mjestu za buduće korištenje.

- AKU uređaje nije potrebno priključivati u električne utičnice, stoga su uvijek u radnom stanju. Uklonite sigurnosni ključ kad got ne radite s proizvodom.
- Uklonite bateriju prije izvođenja svih podešavanja, čišćenja ili uklanjanja materijala iz uređaja.
- Osigurajte da je prije umetanja baterije ključ za kontakt uklonjen.
- Baterija se mora puniti samo s punjačem specifičiranim od proizvođača. Korištenje punjača s nekompatibilnom baterijom može izazvati opasnost od požara. Koristite baterije samo s navedenim punjačem.
- Koristite samo baterije posebno namijenjene za uređaj. Korištenje bilo kojih drugih baterija može dovesti do opasnosti od požara, strujnog udara ili ozljeda osoba.
- Kada se baterija ne koristi držite je dalje od drugih metalnih predmeta kao što su spajalice za papir, kovanice, ključevi, čavli, vijci ili drugi mali metalni predmeti koji mogu spojiti jedan pol na drugi. Kratki spoj polova baterije može izazvati iskre, opekotine, požar ili eksploziju.
- Ne postavljajte uređaje na baterije ili njihove baterije pored plamena ili topline. Ovo će povećati opasnost od eksplozije i moguće ozljede.
- Nemojte otvarati ili oštećivati bateriju. Oslobođeni elektroliti su korozivni i mogu dovesti do oštećenja očiju ili kože. Ako se proguta može biti otrovno.
- Zaštitite bateriju od vlage i vode. Ne puniti uređaj u vlažnim ili mokrim mjestima. Poštovanjem ovog pravila smanjit će se opasnost od strujnog udara.
- U slučaju oštećenja ili nepravilnog korištenja baterije, može doći do ispuštanja pare. Izidite na svjež zrak i potražite liječničku pomoć u slučaju poteškoća. Pare mogu nadražiti respiratorni sustav.
- Nemojte ostavljati bateriju u vozilu tijekom toplih ili hladnih vremenskih uvjeta.
- Nemojte spaljivati bateriju.
- Pod uvjetima loma može doći do izbacivanja tekućine iz baterije, izbjegavajte kontakt.

Ako dođe do nehotičnog kontakta, isperite to mjesto s vodom. Ako tekućina dospije u oči, dodatno potražite liječničku pomoć. Tekućina koja istječe iz baterije može dovesti do iritacije ili opekotina.

## SIGURNOSNA UPOZORENJA ZA KOSILICU

- Prije upotrebe uvijek vizualno pregledajte proizvod kako biste bili sigurni da noževi, vijci noževa i sklop rezača nisu istrošeni ili oštećeni. Kako biste održali ravnotežu zamijenite istrošene ili oštećene oštrice i svornjake u sklopovima.
- Za zamjenu oštećenih ili nečistljivih naljepnica vratite proizvod u ovlaštenu servisnu centar.
- Nemojte proizvod povlačiti unatrag osima ko nije nužno potrebno. Ako se morate s uređajem maknuti unazad od zida ili prepreke, najprije pogledajte dolje i iza kako biste izbjegli saplitanje ili povlačenja uređaja preko stopala.
- Isključite proizvod i dozvolite da se oštrica zaustavi ako se proizvod mora nagnuti prilikom prelaska preko površina koje nisu travnate i prijevoza proizvoda do radnog područja i sa njega.
- Nikada ne koristite proizvod s neispravnom zaštitom ili štitnicima ili bez sigurnosnih uređaja, na primjer, deflektora i hvatača trave.
- Nemojte naginjati proizvod prilikom uključivanja motora ili dok motor radi. Radi lakšeg pokretanja, ali samo ako je to potrebno, možete podići prednji dio kosilice ne više 5 cm. Kako biste to postigli, pritisnite ručku prema dolje. Prije početka rezanja obavezno vratite kosilicu za travu u njen normalni položaj, sa svim kotačima na zemlji. Naginjanjem kosilice izlaže se oštrica uređaja, što povećava mogućnost izbacivanja predmeta iz područja oštrice i slučajnog dolaska u dodir s oštricom.
- Ne pokrećite proizvod dok stojite ispred otvora za izbacivanje trave.
- Proizvod se mora pokrenuti tako da korisnik stoji iza ručke u sigurnoj zoni za operatera. Nikada ne pokrećite proizvod ako:
  - Žlijeb za ispuštanje trave je izložen i nije zaštićen kutijom za travu i poklopcem žlijeba
  - Ruke i stopala svih osoba nisu zaštićene kućištem za rezanje.

- Proizvod pažljivo uključite prema uputama, pritom ruke i noge držite dalje od noževa. Nemojte stavljati ruke ili stopala blizu ili ispod rotirajućih dijelova. Neka je otvor za pražnjenje uvijek slobodan.
- Nikada ne podižite ili ne nosite proizvod dok motor radi.
- Zaustavite proizvod, izvadite izolacijski ključ i bateriju. Provjerite da su svi pokretni dijelovi zaustavljeni:
  - kada got ostavljate proizvod bez nadzora (uključujući odlaganja nekupina trave).
  - prije odstranjivanja objekata zaglavljenih u stroju ili odštopavanja žlijeba za ispuštanje trave
  - prije provjere, čišćenja ili rada na uređaju
  - prije čišćenja hvatača trave ili otvaranja poklopca žlijeba za izbacivanje trave
  - nakon odbacivanja nepoznatog predmeta; provjerite uređaj na oštećenja i po potrebi izvršite popravke prije ponovnog pokretanja i rada uređaja.
  - ako uređaj počne abnormalno vibrirati (odmah provjerite)
    - provjerite na oštećenja, posebice oštrice
    - zamijenite ili popravite sve oštećene dijelove
    - provjerite ima li i pritegnite sve labave dijelove
- Oštrica za rezanje treba se rotirati približno paralelno na tlo iznad kojeg se vozi.
- Oštica na proizvodu je oštra. Budite pažljivi i nosite zaštitne rukavice kada postavljate, zamijenjujete, čistite ili provjeravate sigurnost vijaka.
- Nikada ne radite s proizvodom ako sklopka za uklj./isklj. na ručki pravilno ne pokreće i zaustavlja proizvod.
- Nikada ne pokušavajte zaključati sklopku za uključivanje/isključivanje u položaju UKLJUČENO; ovo je izuzetno opasno.
- Nemojte proizvod koristiti iznad njegovih mogućnosti. Uređaj će bolje i sigurnije raditi na brzini za koju je konstruiran.
- Zaustavite oštricu kad prelazite preko šljunčanih površina.
- Izbjegavajte rupe, kolotrage, ispuščenja, kamenje i druge prikrivene predmeta. Neravan teren može uzrokovati klizanje i pad.
- Uvijek osigurajte da kabel za upravljanje motorom nije zapetljan, priklješten ili na neki drugi način oštećen tijekom sklapanja ili preklapanja ručke.
- Povrede mogu biti uzrokovane ili zadobivene produljenim korištenjem alata. Kada proizvod koristite dulje vremenski razdoblje, svakako se redovito odmarajte.

## DODATNA SIGURNOSNA UPOZORENJA ZA BATERIJU

- Zbog izbjegavanja opasnosti od požara jednim kratkim spojem, opasnosti od ozljeda ili oštećenja proizvoda, alat, izmjenjivi akumulator ili napravu za punjenje ne uronjavati u tekućine i pobrinite se za to, da u uređaje ili akumulator ne prodiru nikakve tekućine. Korozirajuće ili vodljive tekućine kao slana voda, određene kemikalije i sredstva za bijeljenje ili proozvodi koji sadrže sredstva bijeljenja, mogu prouzročiti kratak spoj.
- Bateriju nemojte odlagati zajedno s kućanskim otpadom. Baterije se moraju prikupiti i obraditi u pogonu za reciklažu. Za savjete o recikliranju i mjestu prikupljanja otpadnih baterija obratite se lokalnim vlastima ili distributeru.

## ZNAČAJKE PROIZVODA

### PREOPTEREĆENJA I PREGRIJAVANJA ZAŠTITA

Proizvod ima ugrađeni uređaj za zaštitu od preopterećenja. Nakon otkrivenog preopterećenja proizvod će se automatski isključiti. Ako je zaštitnik od preopterećenja uključen, ručica za uključivanje/isključivanje mora se otpustiti. Pritisnite gumb za pokretanje, a zatim stisnite ručicu za uključivanje/isključivanje kako biste ponovno pokrenuli proizvod. Ako se proizvod još uvijek nije uključio, ponovno instalirajte baterijski sklop.

Baterija ima problem pregrijavanja. Prekomjerne temperature uzrokuju da baterija prestane napajati alat. Ako je baterijski sklop previše vruć, pustite ga da se ohladi prije nego što nastavite s radom. Ako alat i dalje ne radi, napunite bateriju.

**NAPOMENA:** LED pokazivač baterije neće raditi ako je značajka zaštite baterije dovela do prekida napajanja alata. Isključite proizvod ili izvadite bateriju iz proizvoda i LED pokazivač stanja baterije će nastaviti s normalnim radom.

## TELESKOPSKA DRŠKA

Proizvod je opremljen teleskopskom drškom koja se može podešavati za rad ili pohranu proizvoda. Teleskopska ručka se mora izvući u položaj 1 ili 2 prilikom podešavanja proizvoda za upotrebu. Uvjerite se da je ručka pričvršćena ručicom za blokiranje ručke i natežačem za brzo otpuštanje. Uvjerite se da je ručka blokirana tijekom čuvanja u okomitom položaju.

## DVA UTORA ZA BATERIJU

Proizvod može raditi pomoću jednog ili dva baterijska sklopa. Dva baterijska sklopa proizvode jaču struju, daju više snage i dulje vrijeme rada.

### OPĆI SAVJETI ZA KOSILICU

Vrijeme rada baterije ovisi o uvjetu, duljini i gustoći trave.

Podesite visinu rezanja kosilice kako biste trenutni uvjet kosilice prilagodili kosilici.

- Za najbolju učinkovitost, uvijek kosite trećinu ili manje ukupne visine trave.
- Kada kosite visoku travu, smanjite brzinu kretanja kako bi košenje bilo učinkovitije i pravilno izbacivanje pokošene trave.
- Veća visina košenja produljuje vijek trajanja baterije.

### PRIJEVOZ I SKLADIŠTENJE

- Zaustavite proizvod, izvadite izolacijski ključ i bateriju. Provjerite da su svi pokretni dijelovi zaustavljeni. Dozvolite da se proizvod ohladi prije nego što ga uskladištite ili odnesete u vozilo.
- Očistite svaki strani materijal s uređaja. Skladištite ga na suhom i dobro ventiliranom mjestu koje nije pristupačno djeci. Držite proizvod podalje od korozivnih sredstava kao što su vrtno kemikalije i soli protiv zaleđivanja. Proizvod ne čuvajte na otvorenom.
- Kako biste spriječili tjelesne ozljede putnika ili oštećivanje proizvoda prilikom transporta proizvoda u vozilu, izvadite izolacijski ključ iz proizvoda i učvrstite ga i osigurajte od pomicanja ili pada.
- Budite iznimno oprezni prilikom dizanja ili nagnjanja proizvoda zbog održavanja, čišćenja, skladištenja ili prevoženja. Oštrica je oštra. Kada je oštrica izložena držite podalje sve dijelova tijela.

## TRANSPORTIRANJE LITIJUMSKIH BATERIJA

Transportirajte bateriju u skladu s lokalnim i nacionalnim pravima i zakonima.

Slijedite sve specijalne zahtjeve na pakiranju i naljepnicama prilikom transporta baterije od treće strane. Osigurajte da baterija ne može doći u kontakt s drugim baterijama ili provodnim materijalima tijekom transporta tako da zaštitite izložene priključke s izolacijom, kapičama koje ne provode energiju ili trakom. Nemojte transportirati baterije koje su polomljene ili cure. Provjerite kod kompanije koji transportirate za daljnju pomoć.

### ODRŽAVANJE

- Koristite samo originalne zamjenske dijelove, dodatni pribor i priključke od proizvođača. Nepoštivanje ovih uputa može dovesti do mogućih ozljeda, loše učinkovitosti i može dovesti do poništenja jamstva.
- Servisiranje iziskuje krajnju pažnju i znanje i treba da ga vrši samo kvalificirani serviser. Neka se proizvod servisira samo u ovlaštenom servisnom centru.
- Zaustavite proizvod, izvadite izolacijski ključ i bateriju. Prije bilo kakvih radnji čišćenja ili održavanja na uređaju obavezno provjerite jesu li se u potpunosti zaustavili svi pokretni dijelovi.
- Iz sigurnosnih razloga zamijenite istrošene ili oštećene dijelove.
- Često provjeravajte skupljač trave na habanje i oštećenja.
- Često provjeravajte sve matice i zavrtnje da li su dobro pritegnuti kako biste bili sigurni da je proizvod u sigurnom radnom stanju.
- Kako biste spriječili zahvaćenje prstiju između pokretnih oštrica i utvrđenih dijelova uređaja pazite prilikom podešavanja uređaja.
- Prilikom servisiranja noževa imajte na umu da se čak i ako je izvor napajanja isključen, noževi još uvijek mogu pomaknuti.
- Možete izvršiti podešavanja i popravke koji su opisani u ovom priručniku. Za ostale popravke, neka se proizvod servisira samo u ovlaštenom servisnom centru.
- Nakon svake upotrebe, plastične dijelove očistite suhom, mekom krpom. Svaki oštećeni dio trebao bi pravilno popraviti ili zamijeniti ovlašteni servisni centar.



- Oštica na proizvodu je oštra. Budite pažljivi i nosite zaštitne rukavice kada postavljate, zamijenjujete, čistite ili provjeravate sigurnost vijaka.
- Vijci noža moraju biti propisno zategnuti. Pogledajte preporuke proizvođača za zatezni moment pričvršćivanja vijka noža navedene u tablici specifikacija proizvoda u ovom priručniku.

### ČIŠĆENJE BLOKADA

- Zaustavite proizvod, izvadite izolacijski ključ i bateriju. Provjerite da su svi pokretni dijelovi zaustavljeni.
- Uvijek nosite zaštitne rukavice velike debljine kada provjeravate ili čistite blokirano. Noževi su oštri, a samu blokadu može izazvati oštar predmet.
- Uklonite hvatač trave. Provjerite i pažljivo očistite hvatač trave od svega što ga ometa.
- Pregledajte žlijeb za izbacivanje trave i pažljivo uklonite zaglavljene objekte.
- Okrenite proizvod na bok. Pregledajte njegovu donju stranu i područje oko noža. Pažljivo uklonite sve nađene zaglavljene objekte. Zapamtite da se nož može pomicati za vrijeme čišćenja.

### UPOZNAJTE SVOJ PROIZVOD

Pogledajte stranicu 163.

1. Ploča sučelja
2. Gumb za pokretanje
3. Ručica za uključivanje/isključivanje
4. Teleskopska drška
5. Upute za uporabu
6. Poluga za blokiranje ručke
7. ključ za kontakt
8. Pokazatelj napunjenosti kutije za travu
9. Ručica za namještanje visine rezanja
10. Natezač za brzo otpuštanje
11. Kutija za travu
12. Vratašca za bateriju
13. Stražnji kotač
14. Prednji kotač
15. Usitnjivač
16. Baterija
17. Punjač

### SIMBOLI NA PROIZVODU



Prije rada s proizvodom morate pročitati i razumjeti sve upute. Slijedite sva upozorenja i sigurnosne upute.



Nosite zaštitu za sluh



Nosite sredstva za zaštitu očiju



Ne rukujte proizvodom na nagibima većim od 15°. Na padini kosite poprijeko, nikada gore-dolje.



Ne izlažite kiši ili vlažnim uvjetima.



Pazite na oštre oštrice. Noževi nastavljaju s okretanjem i nakon isključivanja motora. Prije održavanja, izvadite ključ za izoliranje.



Čuvajte se odbačenih ili letećih predmeta. Sve nazočne osobe, a osobito djecu i kućne ljubimce, držite na udaljenosti od najmanje 15 m od radnog područja.



Kreni



Stop



Otpadni električni proizvodi ne treba da se odlažu s otpadom iz domaćinstva. Molimo da recikirate gdje je to moguće. Potražite savjet od lokalnih vlasti ili prodavca kako reciklirati.



Europska oznaka sukladnosti



Britanska oznaka sukladnosti



EurAsian znak konformnosti



Ukrajinska oznaka sukladnosti

001



Jamčena razina zvučne snage



Položaj 1 na teleskopskoj ručki



Položaj 2 na teleskopskoj ručki

## SIMBOLI U OVOM PRIRUČNIKU



Dijelovi ili pribor prodan odvojeno



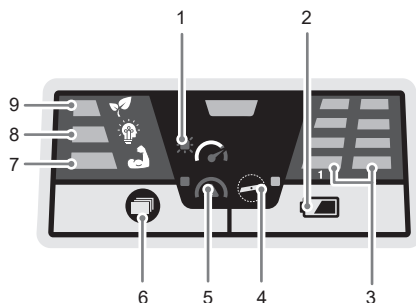
Napomena



Upozorenje

## PREGLAD PLOČE SUČELJA

Ploča sučelja prikazuje status i stanje proizvoda.



1. Veliko opterećenje - pokazuje da je opterećenje preveliko za trenutne postavke i proizvod bi mogao zatajiti. Prebacivanje na pojačani način rada, povećava visinu rezanja ili smanjuje brzinu hoda.
2. Gumb statusa napunjenosti baterije - napaja pokazivač razine napunjenosti baterije kada ga se pritisne.
3. Pokazivač razine napunjenosti baterije - pokazuje količinu preostalog naboja u baterijskim sklopovima.
  - Ako je upaljena samo jedna LED lampica, kapacitet baterijskog sklopa manji je od 25 %.
  - Ako su upaljene dvije LED lampice, kapacitet baterijskog sklopa je između 25 % i 50 %.
4. Pokazivač provjere oštrice - pokazuje da se oštrica mora provjeriti. Zamijenite oštricu kako biste proizvod očuvali u dobrom radnom stanju.
5. Pokazivač preopterećenja - pokazuje da je proizvod preopterećen i da bi oštrica mogla biti zaglavljena.
6. Gumb načina rada - mijenja način rezanja proizvoda kada ga se pritisne.
7. Pojačani način rada - pokazuje da oštrica radi velikom brzinom zbog rezanja guste trave.
8. Pametan način rada - pokazuje da kosilica može prilagoditi brzinu oštrice ovisno o opterećenju na proizvodu za uobičajeno rezanje.
9. Eko način rada - pokazuje da oštrica radi malom brzinom zbog rezanja rijetke trave.

Brezžična kosilnica je zasnovana za zagotavljanje najvišje ravni varnosti, učinkovitosti in zanesljivosti delovanja.

## NAMEN UPORABE

Brezžična kosilnica za travo je predvidena samo za uporabo na prostem.

Izdelek je namenjen domači košnji trave. To je ročna kosilnica, ki se upravlja s potiskanjem ob hoji za njo.

Izdelka nikoli ne smete upravljati tako, da so kolesa dvignjena od tal. Kosilnice se ne sme vleči ali se voziti na njej.

Za druge namene ga ne uporabljajte.

## SPLOŠNA VARNOSTNA OPOZORILA

- Prosimo, shranite ta navodila za kasnejšo rabo.
- Izdelek uporabljajte izključno z akumulatorji, navedenimi v tem priročniku. Pri uporabi izdelka na baterije je treba vedno upoštevati varnostne previdnostne ukrepe, da se zmanjša nevarnost požara, puščanja baterij in telesnih poškodb.

## OSEBNA VARNOST

- Otrokom in osebam z zmanjšanimi fizičnimi, senzoričnimi ali duševnimi zmoglostmi ter osebam, ki niso seznanjene s temi navodili, nikoli ne dovolite uporabljati, čistiti ali vzdrževati izdelka. Lokalni predpisi se morda nanašajo tudi na minimalno starost upravitelja. Otroke nenehno primerno nadzorujte, da se ne bodo igrali z napravo.
- Seznanite se s krmilnimi elementi in pravilno uporabo izdelka.
- Nosite debele, dolge hlače, dolge rokave in vzdržljivo obutev, ki ne drsi. Ne nosite kratkih hlač in sandalov in ne rokujte z napravo bosi. Ne nosite oblačil, ki so ohlapna ali z njih visijo trakovi.
- Na pobočjih se premikajte prečno, nikoli gor in dol. Pri menjavanju smeri na pobočjih bodite še posebej previdni. Pazite na ravnotežje in ne pretiravajte. Vedno hodite, nikoli ne tecite.
- Izdelka ne uporabljajte v bližini nagibov, jarkov, izredno strmih pobočij ali nabrežij.
- Vedno nosite zaščitna očala.
- Izdelek lahko odseka roke in noge ter povzroči letenje predmetov. Neupoštevanje vseh varnostnih navodil se lahko konča z resnimi poškodbami ali smrtjo.

- Med uporabo enote bodite pozorni, spremljajte potek dela in uporabljajte zdrav razum. Izdelka ne uporabljajte, če ste utrujeni, bolni ali pod vplivom alkohola, drog ali zdravil. Padeč koncentracije pri uporabi naprave lahko privede do hudih telesnih poškodb.

## DELOVNO OBMOČJE

- Izdelka ne uporabljajte, kadar so v območju 15 m ljudje, zlasti otroci ali hišni ljubljenci, saj obstaja nevarnost letečih predmetov zaradi stika z rezilom.
- Izdelek uporabljajte samo pri dnevni svetlobi ali dobri osvetlitvi.
- Naprave ne uporabljajte na mokri travi ali na dežju.
- Pomnite, da je upravitelj oz. uporabnik odgovoren za nesreče ali nevarnosti, ki se pripetijo ostalim ljudem ali njihovi lastnini.
- Objekti, ki jih zadane rezilo kosilnice, lahko povzročijo resne poškodbe. Temeljito preglejte delovno površino in odstranite vse kamne, palice, kovino, žice, kosti, igračke ali druge predmete. V rezalne dele se lahko zaplete vrv ali žica.
- Naprave ne uporabljajte v eksplozivnih okoljih, npr. v bližini vnetljivih tekočin, plinov ali prahu. Orodje lahko proizvaja iskre, zaradi katerih se lahko prah ali hlapi vnamejo.
- Izdelka ne uporabljajte v primeru pojava nevihte.
- Če upravitelj ni pozoren na prisotnost otrok, se lahko pripetijo tragične nesreče. Otroke stroj in košnja pogosto zanimata. Nikoli ne domnevajte, da bo otrok ostal tam, kjer ste ga zadnjič videli.
- Med približevanjem nepreglednim ovinkom, živim mejam, drevesom ali drugim predmetom, vključno z visečimi živimi mejami, ki lahko ovirajo pogled, bodite posebej previdni.

## UPORABA IN VZDRŽEVANJE BATERIJSKEGA ORODJA

- Varnostna navodila, priložena bateriji in polnilniku, morate prebrati, jih razumeti in vedno upoštevati. Če tega ne storite, lahko pride do električnega udara, požara ali drugih nevarnih situacij. Vsa navodila hranite skupaj na varnem mestu za bodočo referenco.

- Enot z baterijo ni treba priključiti v električno vtičnico; zato so vedno v stanju delovanja. Odstranite izolacijski ključ vsakič, ko ne upravljate z izdelkom.
- Pred nastavljanjem, čiščenjem ali odstranjevanjem materiala iz enote iz nje odstranite baterijo.
- Prepričajte se, da je pred vstavitvijo baterije izolacijski ključ odstranjen.
- Baterijo lahko napolnite samo s polnilnikom, ki ga določa proizvajalec. Če polnilnik uporabite z nezdržljivo baterijo, lahko pride do požara. Baterijo uporabljajte samo z navedenimi polnilniki.
- Uporabljajte samo baterijo, ki je posebej izdelana za to napravo. Uporaba drugih baterij lahko povzroči požar, električni udar ali telesne poškodbe.
- Ko baterije ne uporabljajte, pazite, da bo odmaknjena od kovinskih predmetov, kot so papirne sponke, kovanci, ključi, žebliji, vijaki ali drugih majhni kovinski predmeti, ki bi lahko povzročili povezavo med obema terminaloma. Združitve dveh različno naelektrenih baterijskih priključkov lahko povzroči iskrice, opekline, ogenj ali eksplozijo.
- Baterijskih izdelkov ali baterij ne postavljajte v bližino ognja ali vročine. To poveča tveganje za eksplozijo in možnost poškodbe.
- Baterije ne odpirajte in je ne poškodujte. Sproščeni elektroliti so korozivni in lahko poškodujejo oči ali kožo. Lahko so strupeni, če jih zaužijete.
- Baterijo zaščitite pred vlago in vodo. Enote ne polnite v vlažnih ali mokrih pogojih. Z upoštevanjem tega pravila zmanjšate tveganje električnega šoka.
- V primeru poškodbe in napačne rabe baterije lahko pride do hlapenja. Poskrbite, da bo zrak čist, v primeru težav pa poiščite zdravniško pomoč. Hlapi lahko dražijo dihalni sistem.
- Baterijskega paketa ne pustite v vozilu v vročini ali mrazu.
- Baterije ne sežigajte.
- Ob zlorabi baterije lahko iz nje steče tekočina. Če se po nesreči dotaknete tekočine, mesto dotika sperite z vodo. Če pride tekočina v stik z očmi, poiščite zdravstveno pomoč. Tekočina, ki izteče iz baterije, lahko povzroči vnetje ali opekline.

## VARNOSTNA OPOZORILA ZA KOSILNICO

- Izdelek pred uporabo vedno vizualno preglejte, da se prepričate, da rezila, vijaki rezil in sestav rezalnika niso obrabljeni ali poškodovani. Obrabljena ali poškodovana rezila in vijake zamenjajte v kompletih, da ohranite uravnoteženost naprave.
- Poškodovane ali nečitljive nalepke naj zamenjajo v pooblaščenem servisnem centru.
- Izdelka ne vlecite nazaj, razen če je to zares nujno. Če morate napravo odmakniti od zidu ali ovire, se najprej ozrite navzdol in nazaj, da se ne spotaknete ali si naprave ne povlečete čez stopala.
- Če je treba izdelek nagniti zaradi transporta prek površin, ki niso travnate, in med transportom izdelka v delovno območje ali iz njega, izdelek izklopite in počakajte, da se rezilo zaustavi.
- Izdelka nikoli ne uporabljajte s pokvarjenimi ščitniki in zaščitami ali brez nameščenih varnostnih naprav, na primer deflektorjev in zbiralnikov trave.
- Ne nagibajte izdelka med zaganjanjem ali delovanjem motorja. Za lažji zagon je izjemno pomembno, da prednji del kosilnice dvignete za največ 5 cm. To storite tako, da krmilo potisnete navzdol. Pred začetkom košnje kosilnico pomaknite v začetni položaj tako, da so vsa štiri kolesa na tleh. Z nagibom kosilnice izpostavite rezilo ter s tem povečate možnost za izmet delcev in nenameren stik z rezilom.
- Ne zaženite izdelka, če stojite pred odprtino za odvajanje trave.
- Upravljavec mora izdelek zagnati v položaju za ročaji, ki je zanj najbolj varen. Izdelka ne zaganjajte, če:
  - izstresišče trave je odprto in ni zavarovano s košem za travo in pokrovom izstresišča trave
  - dlani in stopala vseh oseb niso varno oddaljena od območja rezanja.
- Izdelek previdno vklopite po navodilih in se z rokami ter nogami ne približujte rezilom. Roke in stopala držite stran od vrtečih se delov. Ne približujte se odprtini za praznjenje.
- Nikoli ne dvigujte ali prenašajte izdelka med delovanjem motorja.

- Izdelek zaustavite ter izvlecite izolacijski ključ in odstranite akumulator. Prepričajte se, da so se vsi premikajoči se deli popolnoma zaustavili:
  - kadar pustite izdelek nenadzorovan (tudi kadar odstranjujete pokošeno travo).
  - pred čiščenjem blokade ali odmašitvijo izstresišča
  - pred preverjanjem in čiščenjem izdelka ali delom na njem,
  - pred odstranjevanjem lovilnika trave ali odpiranjem pokrova izstresišča trave
  - če zadenete ob tujek; preverite, ali se je naprava poškodovala, in popravite potrebno, preden napravo ponovno zaženete in uporabite,
  - če izdelek začne nenormalno vibrirati (preverite nemudoma).
    - Pregled za morebitne poškodbe, zlasti na rezilih
    - zamenjajte ali popravite vse poškodovane dele
    - preverite, ali so kateri koli deli zrahljani in jih privijte
- Rezilo naj kroži nekako vzporedno s tlemi, nad katerimi se obrača.
- Rezilo na izdelku je ostro. Bodite previdni in nosite močne zaščitne rokavice, kadar nameščate, menjate, čistite ali preverjate pritrditve elementov na izdelku.
- Z izdelkom ne upravljajte, če ga s stikalom za vklop/izklop na ročaju ne morete ustrezno zagnati in ustavite izdelek.
- Stikala za vklop/izklop, ki je v položaju za vklop (ON), nikoli ne poskušajte zakleniti, ker je to izjemno nevarno.
- Izdelka ne preobremenjujte. Nalogo bo opravila bolje in varneje pri hitrosti, za katero je bila zasnovana.
- Pri košnji prek peščenih površin rezilo ustavite.
- Izogibajte se luknjam, brazdam, izboklinam, kamnom ali ostalim skritim predmetom. Zaradi neravnega terena vam lahko spodrsne in lahko se poškodujete.
- Med montažo ali zlaganju ročice se vedno prepričajte, da kontrolni kabel motorja ni zavozlan, priščipnjen ali drugače poškodovan.
- Daljša uporaba orodja lahko privede do poškodb ali pa so poškodbe lahko hujše. Če izdelek uporabljate daljši čas, poskrbite za redne premore.

## DODATNA VARNOSTNA OPOZORILA ZA BATERIJO

- V izogib, s kratkim stikom povzročene nevarnosti požara, poškodb ali okvar na proizvodu, orodja, izmenljivega akumulatorja ali polnilne naprave ne potaplajte v tekočine in poskrbite, da ne bo prihajalo do vdora tekočin v naprave in akumulatorje. Korozivne ali prevodne tekočine, kot so slana voda, določene kemikalije in belila ali proizvodi, ki le ta vsebujejo, lahko povzročijo kratek stik.
- Akumulatorskih sklopov ne odlagajte skupaj z gospodinjskimi odpadki. Zbrati jih je treba ločeno in posredovati okoliju prijaznemu obratu za recikliranje. Za informacije o recikliranju in mestih zbiranja odpadkov se obrnite na lokalno agencijo ali prodajalca.

## LASTNOSTI IZDELKA

### PREOBREMENITVIJO IN Z ZAŠČITO PRED PREGREVANJEM

Izdelek ima napravo za prenapetostno zaščito. Ob zaznavanju preobremenitve se izdelek samodejno izklopi. Če se sproži preobremenitvena zaščita, je treba ročico za vklop/izklop sprostiti. Pritisnite gumb za zagon in stisnite ročico za vklop/izklop, da ponovno zaženete izdelek. Če se izdelek še vedno ne vklopi, znova namestite baterijski vložek.

Baterija ima zaščito proti pregrevanju. Prekomerne temperature bodo povzročile, da bo baterija orodje prenehalo napajati. Če je baterijski vložek prevroč, pred nadaljevanjem dela počakajte, da se ohladi. Če orodje še vedno ne deluje, je baterijo treba napolniti.

**OPOMBA:** Indikatorska lučka LED za baterijo ne deluje, če je zaščitna funkcija baterije povzročila prekinitev napajanja orodja. Izklopite izdelek ali odstranite baterijski vložek iz izdelka in indikator LED baterijskega vložka bo začel znova normalno delovati.

### TELESKOPSKA ROČICA

Izdelek ima teleskopsko ročico, ki jo je mogoče prilagoditi za lažje shranjevanje in delovanje. Teleskopska ročica mora biti pri nastavljanju izdelka za uporabo iztegnjena v položaj 1 ali 2. Poskrbite, da je ročaj pritrjen z vzvodom za zaklepanje ročaja in pritrtilom s "hitro sprostitvijo". Poskrbite, da je ročaj med shranjevanjem v navpičnem položaju zaklenjen.

## DVE REŽI ZA BATERIJE

Izdelek lahko deluje z enim ali dvema baterijskima vložkoma. Dva baterijska vložka sproščata višji tok, zagotavljata večjo moč in daljši čas delovanja.

### SPLOŠNI NAPOTKI PRI KOŠNJI

Čas delovanja baterije je odvisen od pogojev, dolžine in gostote trave.

Nastavite višino rezanja kosilnice, da bo ustrezala trenutnemu stanju trave, ki jo boste kosili.

- Za čim boljše delovanje vedno odrežite tretjino celotne višine trave ali manj.
- Kadar kosite dolgo travo, hodite počasneje in s tem dovolite učinkovitejšo košnjo in ustrezen izmet odrezkov.
- Višja višina rezanja podaljša čas delovanja baterije.

### TRANSPORT IN SHRANJEVANJE

- Izdelek zaustavite ter izvlecite izolacijski ključ in odstranite akumulator. Prepričajte se, da so vsi premikajoči se deli popolnoma zaustavili. Pred shranjevanjem ali prevozom izdelka z vozilom počakajte, da se ohladi.
- Očistite vse tujke z izdelka. Shranite jo na suhem in dobro prezračenem mestu, ki ni na doseg otrok. Shranjujte proč od korozivnih sredstev, kot so vrtno kemikalije in soli za topljenje ledu. Izdelka ne shranjujte na prostem.
- Med prevozom z vozilom izvlecite izolacijski ključ in zavarujte izdelek pred premikanjem ali padcem, da preprečite poškodbe oseb, izdelka ali iztekanje goriva.
- Med dviganjem ali nagibanjem izdelka zaradi vzdrževanja, čiščenja, shranjevanja ali transporta bodite zelo previdni. Rezilo je ostro. Dele telesa držite proč od rezila, medtem ko je rezilo izpostavljeno.

### PRENAŠANJE LITIJEVIH BATERIJ

Baterije prevažajte v skladu z lokalnimi in državnimi uredbami in predpisi.

Upoštevajte vse posebne zahteve glede pakiranja in označevanja, kadar prevoz opravlja tretja oseba. Zagotovite, da baterije med prevozom ne morejo priti v stik z drugimi baterijami ali prevodnimi materiali tako, da zaščitite izpostavljene konektorje z izolacijo,

neprevodnimi pokrovčki ali trakom. Ne prevažajte poškodovanih baterij oz. baterij, ki puščajo. Za nadaljnje informacije se obrnite na posredovalno podjetje.

### VZDRŽEVANJE

- Uporabljajte le originalne rezervne dele in dodatke, ki jih priporoča proizvajalec. V nasprotnem primeru naprava lahko slabo deluje, povzroči poškodbe, garancija pa ne velja več.
- Servisiranje zahteva posebno pozornost in znanje in naj jo zato opravlja samo izurjeni servisni tehnik. Izdelek naj servisirajo izključno v pooblaščenem servisnem centru.
- Izdelek zaustavite ter izvlecite izolacijski ključ in odstranite akumulator. Pred čiščenjem ali vzdrževanjem se prepričajte, da so vsi premični deli zaustavljeni.
- Obrabljene ali poškodovane dele zaradi varnosti redno menjajte.
- Pogosto preverjajte lovilnik trave zaradi morebitne obrabe ali poslabšanja stanja.
- Pogosto preverjajte, ali so vse matice in vijaki dobro priviti in tako zagotovite varno delovno stanje izdelka.
- Med prilagajanjem naprave bodite previdni, da se s prsti ne ujamate med vrtljiva rezila in pritrjenimi deli naprave.
- Med servisiranjem rezil se zavedajte, da se rezila kljub izklopu vira napajanja še vedno lahko premikajo.
- Opravljati smete le nastavitve in popravila, ki so opisana v teh navodilih za uporabo. Druga popravila izdelka naj izvedejo izključno na pooblaščenem servisu.
- Po vsaki uporabi očistite plastične dele z mehko, suho krpo. Vsak poškodovani del mora ustrezno popraviti ali zamenjati pooblaščen servisni center.
- Rezilo na izdelku je ostro. Bodite previdni in nosite močne zaščitne rokavice, kadar nameščate, menjate, čistite ali preverjate pritrditve elementov na izdelku.
- Vse vijake rezila morate enakomerno priviti. Za navor vijakov rezila glejte priporočila proizvajalca, ki so navedena v preglednici s tehničnimi podatki izdelka v tem priročniku.

## ODPRAVLJANJE ZAMAŠTIVE

- Izdelek zaustavite ter izvlecite izolacijski ključ in odstranite akumulator. Prepričajte se, da so se vsi premikajoči se deli popolnoma zaustavili.
- Ko pregledujete in odpravljate zamašitev, vedno uporabljajte odporne zaščitne rokavice. Rezila so ostra in tudi blokado lahko povzročijo oster predmet.
- Odstranite koš za travo. Preverite lovilnik trave in previdno odstranite blokade.
- Preverite, ali so v iztresišču prisotne blokade in jih previdno odstranite.
- Izdelek obrnite na bok. Preverite spodnjo stran in območje okoli rezila. Če odkrijete blokade, jih previdno odstranite. Ne pozabite, da se lahko rezilo med čiščenjem premakne.

## SPOZNAJTE SVOJ IZDELEK

Glejte stran 163.

1. Plošča vmesnika
2. Gumb Start
3. Ročica za vklop/izklop
4. Teleskopska ročica
5. Priročnik za uporabo
6. Zaklepna ročica ročaja
7. Izolacijski ključ
8. Kazalnik za poln zbiralnik trave
9. Ročica za nastavljanje višine košnje
10. Pritrdilo s "hitro sprostitevijo"
11. Zbiralnik
12. Vrata baterije
13. Zadnje kolo
14. Sprednje kolo
15. Drobilni nastavek
16. Akumulator
17. Polnilec

## SIMBOLI NA IZDELKU



Pred uporabo izdelka preberite in razumite vsa navodila. Upošteвайте vsa opozorila in varnostna navodila.



Nosite zaščito za ušesa



Nosite zaščito za oči



Izdelka ne uporabljajte na pobočjih, katerih naklon je večji od 15°. Vedno kosite prečno po pobočjih, nikoli gor in dol.



Ne izpostavljajte ga dežju ali vlagi.



Pazite na ostra rezila. Rezila se po zaustavitvi motorja še naprej vrtijo. Pred vzdrževanjem odstranite izolacijski ključ.



Pazite na izvržene ali leteče predmete. Opazovalci, predvsem otroci in domače živali, morajo biti najmanj 15 m od območja uporabe.



Poženi



Ustavi



Odpadne električne izdelke odlagajte skupaj z ostalimi gospodinjstvi odpadki. Reciklažo opravljajte na predpisanih mestih. Za reciklažni nasvet se obrnite na lokalne oblasti.



Evropski znak skladnosti



Britanski znak skladnosti



EurAsian oznaka o skladnosti



Ukrajinski znak skladnosti



Zajamčena raven zvočne moči



Položaj 1 na teleskopski ročici



Položaj 2 na teleskopski ročici

## SIMBOLI V TEM PRIROČNIKU



Deli ali dodatki so na prodaj ločeno



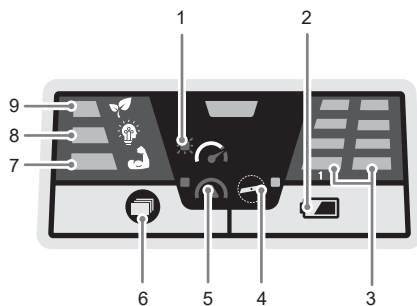
Opomba



Opozorilo

## PREGLED PLOŠČE VMESNIKA

Plošča vmesnika prikazuje stanje in pogoje izdelka.



1. Visoka obremenitev - označuje, da je obremenitev prevelika za trenutno nastavitev, zato izdelek lahko zastane. Preklopite v močan način, povišajte višino košnje ali zmanjšajte hitrost hoje.
2. Gumb stanja napolnjenosti baterije - ob pritisku vklopi indikator nivoja napolnjenosti baterije.
3. Indikator nivoja napolnjenosti baterije - označuje količino preostale napolnjenosti baterijskih vložkov.
  - Če sveti samo ena lučka LED, je kapaciteta baterijskega vložka nižja od 25 %.
  - Če svetita dve lučki LED, je kapaciteta baterijskega vložka med 25 % in 50 %.
  - Če svetijo tri lučke LED, je kapaciteta baterijskega vložka med 50 % in 75 %.
  - Če svetijo štiri lučke LED, je baterijski vložek povsem napolnjen. Zmogljivost baterije je med 75-100 %.
4. Indikator preverjanja razila - označuje, da je treba preveriti rezilo. Skrhano rezilo zamenjajte, da izdelek ohranite v dobrem delovnem stanju.
5. Indikator preobremenitve - označuje, da je izdelek preobremenjen in da je rezilo morda zataknjeno.

6. Gumb načina - ob pritisku spremeni način rezanja.
7. Močan način - označuje, da se rezilo vrti z visoko hitrostjo z namenom močnega košenja.
8. Pameten način - označuje, da lahko kosilnica med običajno košnjo prilagodi hitrost rezila glede na obremenitev izdelka.
9. Način eko - označuje, da se rezilo vrti z nizko hitrostjo z namenom košnje redke trave.



Na dosiahnutie jednoduchej obsluhy a prevádzky boli pri navrhovaní tohto akumulátorová kosačka najvyššou prioritou bezpečnosť, výkon a spoľahlivosť.

## ÚČEL POUŽITIA

Akumulátorová kosačka na trávnu je určená len na vonkajšie použitie.

Tento produkt je určený na domáce kosenie trávnikov. Tento výrobok je chodcom ovládaná kosačka na ručné tlačenie, kedy chodec kráča za kosačkou.

Produkt sa nikdy nesmie obsluhovať, keď kolieska nie sú na zemi. Nesmie byť ťahaná ani sa nesmie na nej jazdiť.

Nepoužívajte na žiadne iné účely.

## VŠEOBECNÉ BEZPEČNOSTNÉ VÝSTRAHY

- Odložte si tento návod na neskoršie použitie.
- Používajte tento výrobok iba so súpravami batérií, ktoré sú uvedené v tomto návode. Pri používaní výrobku napájaného batériou sa musia vždy dodržiavať základné bezpečnostné opatrenia, aby sa znížilo riziko požiaru, vytekania z batérií a osobného poranenia.

## OSOBNÁ BEZPEČNOSŤ

- Nikdy nedovoľte deťom alebo osobám so zníženými fyzickými, duševnými alebo zmyslovými schopnosťami alebo osobám, ktoré nie sú oboznámené s týmto návodom, obsluhovať, čistiť alebo vykonávať údržbu tohto produktu. Miestne platné predpisy môžu obmedzovať dobu použitia kosačky. Deti musia byť pod primeraným dozorom, aby sa nemohli s produktom hrať.
- Oboznámte sa s ovládacími prvkami a správnou obsluhou produktu.
- Používajte hrubé dlhé nohavice, odev s dlhými rukávami a masívnu nešmyklavú obuv. Nenoste krátke nohavice a sandály ani nechodte naboso. Nenoste odev, ktorý je voľný alebo má voľne visiace šnúry či pútko.
- Produkt používajte na svahoch krížom, nikdy nie nahor a nadol. Ak meníte smer, buďte veľmi opatrní. Udržujte bezpečný postoj a rovnováhu. Chodte krokom, nikdy nebežte.
- Produkt nepoužívajte v blízkosti prudkých svahov, priekop, veľmi strmých svahov alebo násypov.

- Vždy používajte ochranné okuliare.
- Tento výrobok dokáže amputovať ruky alebo nohy a odhadzovať predmety. Pochybenie pri dodržiavaní bezpečnostných pokynov tak môže spôsobiť vážny úraz alebo usmrtenie.
- Pri práci so zariadením buďte ostražití, sledujte, čo robíte a používajte zdravý rozum. Nepoužívajte tento produkt, keď ste unavení, chorí alebo pod vplyvom, alkoholu, drog alebo liekov. Po oddelení akumulátora od kosačky zapojte konektor nabíjačky do zásuvky na akumulátore.

## PRACOVNÝ PRIESTOR

- Nikdy nepoužívajte produkt, keď sú v blízkosti do 15 m osoby, najmä deti alebo domáce zvieratá, z dôvodu nebezpečenstva vymrštenia objektov pri kontakte s čepeľou.
- Produkt používajte len na dennom svetle alebo pri dostatočnom umelom osvetlení.
- Nepracujte so zariadením na mokrej trávě alebo v daždi.
- Užívateľ alebo obsluha stroja sú zodpovední za nehody alebo škody na majetku a za nebezpečenstvo vzniknuté pri prevádzke stroja.
- Predmety vymrštené nožom kosačky môžu spôsobiť veľmi vážne poranenia osôb. Dôkladne skontrolujte priestor, kde sa má zariadenie používať a odstráňte všetky kamene, paličky, kov, drôty, kosti, hračky a iné cudzie predmety. Myslite na to, že do rezných zariadení sa môžu zamotať vodiče alebo vlákna.
- Nepracujte so zariadením vo výbušných atmosférach, napríklad v blízkosti zápalných tekutín, plynov alebo prachu. Zariadenie môže vytvárať iskry, ktoré môžu podpáliť takýto prach alebo výpary.
- Nepoužívajte produkt, keď hrozí riziko blesku.
- Tragické nehody môžu nastať ak nie je obsluha upozornená na prítomnosť detí. Deti sú často zaujaté strojom a kosením. Nikdy sa nespoliehajte na to, že deti ostanú tam, kde ste ich naposledy videli.
- Maximálny pozor dávajte pri približovaní k slepým rohom, krikom, stromom či iným predmetom s prevísajúcimi vetvami, ktoré môžu brániť vášmu výhľadu.

## POUŽÍVANIE AKUMULÁTORA A STAROSTLIVOSŤ OŇ

- Prečítajte si s porozumením a striktné dodržiavajte bezpečnostné pokyny, ktoré sú pribalené k akumulátoru a nabíjačke. V opačnom prípade môže dôjsť k zásahu elektrickým prúdom, požiaru alebo nebezpečným situáciám. Všetky pokyny odložte spoločne na bezpečné miesto pre prípad potreby v budúcnosti.
- Akumulátorové nástroje nemusia byť zapojené do elektrickej siete, preto sú neustále v prevádzkovom stave. Vždy, keď produkt nepoužívate, odstráňte odpojovací kľúč.
- Keď vykonávate úpravy, čistíte alebo odstraňujete materiál, vyberte jednotku akumulátora z jednotky.
- Pred vložením jednotky akumulátora skontrolujte, či je rozpojovací kľúč vybrať.
- Jednotku akumulátora možno nabíjať len pomocou nabíjačky špecifikovanej výrobcom. Pri použití nabíjačky s nekompatibilnou jednotkou akumulátora vzniká nebezpečenstvo požiaru. Jednotku akumulátora používajte len s uvedenou nabíjačkou.
- Používajte len jednotku akumulátora určenú konkrétne pre toto zariadenie. Pri použití akýchkoľvek iných jednotiek akumulátorov vzniká riziko požiaru, úderu elektrickým prúdom alebo poranenia osôb.
- Keď sa jednotka akumulátora nepoužíva, nedávajte ju do blízkosti iných kovových objektov, ako sú papierové sponky, mince, kľúče, kince, skrutky či iné malé kovové predmety, ktoré by mohli skratovať svorky. Pri skratovaní svoriek akumulátora môže dôjsť k iskreniu, popáleninám, požiaru alebo explózii.
- Nedávajte akumulátorové zariadenia ani ich akumulátory do blízkosti ohňa alebo tepla. To zvyšuje riziko explózie a možného poranenia.
- Jednotku akumulátora neotvárajte ani nedeformujte. Vytečený elektrolyt je leptavý a môže spôsobiť poškodenie očí alebo pokožky. Pri požití môže byť toxický.
- Jednotku akumulátora chráňte pred vlhkosťou a vodou. Zariadenie nenabíjajte vo vlhkom alebo mokrom prostredí. Dodržiavaním tohto pravidla sa zníži riziko úrazu elektrickým prúdom.

- Pri poškodení a nesprávnom používaní akumulátora môže dôjsť k unikaniu výparov. V prípade komplikácií zabezpečte čerstvý vzduch a vyhľadajte lekársku pomoc. Výpary môžu spôsobiť podráždenie dýchacích ciest.
- Nenechávajte akumulátorovú jednotku vo vozidle pri vysokých alebo nízkych teplotách.
- Akumulátor nespľuňte.
- Za nevhodných podmienok, keď by z batérie vytekala kvapalina, predchádzajte kontaktu s ňou. Pri náhodnom kontakte opláchnite vodou. Ak tekutina zasiahne oči, dodatočne vyhľadajte lekársku pomoc. Tekutina vytečená z akumulátora môže spôsobiť podráždenie alebo popáleniny.

## KOSAČKA TRÁVNÍKA – BEZPEČNOSTNÉ VÝSTRAHY

- Pred použitím vždy zrakom skontrolujte výrobok, aby ste sa uistili, že čepele, matice čepeľí a zostava čepeľí nie sú opotrebované alebo poškodené. Opotrebované alebo poškodené ostria a maticové skrutky vymieňajte v súpravách, aby sa zachovalo vyváženie.
- Prineste produkt do autorizovaného servisného centra na výmenu poškodených alebo nečitateľných štítkov.
- Produkty neťahajte dozadu, pokiaľ to nie je absolútne nevyhnutné. Ak musíte odtrhnúť zariadenie od steny alebo prekážky, najskôr sa pozrite dole a za seba, aby nedošlo k prevráteniu alebo potiahnutiu zariadenie po vašich nohách.
- Výrobok zastavte a počkajte na úplne zastavenie čepeľí, ak musíte výrobok nakloniť kvôli doprave počas prechodu cez povrchy iné než je tráva, a pri doprave výrobku na a z miesta výkonu práce.
- Výrobok nikdy nepoužívajte, ak má poškodené kryty alebo štíty, ani bez nainštalovaných bezpečnostných zariadení, napr. vychýľovačov alebo zásobníka na trávu.
- Výrob pri zapínaní motora alebo kým motor beží nenakláňajte. V prípade nutnosti môžete zdvihnúť prednú časť kosačky maximálne o 5 cm, aby ste umožnili jednoduchšie štartovanie. Aby ste to dosiahli, zatlačte na riadidlá. Pred kosením vždy vráťte kosačku do jej normálnej polohy

- so všetkými kolesami na zemi. Nakláňaním kosačky sa odkrýva nôž a zvyšuje sa pravdepodobnosť vymrštenia predmetov a náhodného kontaktu s ostrým nožom.
- Výrobok nespúšťajte stojac pred otvorom na vyprázdňovanie trávy.
  - Produkt sa musí štartovať tak, aby užívateľ stál sa riadidlami v bezpečnej zóne obsluhy. Produkt nikdy neštartujte, ak:
    - Žľab na vyprázdňovanie trávy je odhalený a nie je chránený košom na trávu a krytom žľabu na vyprázdňovanie trávy.
    - ruky a nohy všetkých osôb nie sú mimo rezného krytu,
  - Opatrne zapnite výrobok podľa predpisov a udržiajte ruky aj nohy mimo nožov. Nedávajte ruky alebo nohy do blízkosti rotujúcich dielov ani pod ne. Výstupné otvory musia byť vždy čisté.
  - Produkt nikdy nedvíhajte ani neprenášajte, keď motor beží.
  - Zastavte výrobok, vyberte odpojovací kľúč a batériu. Skontrolujte, či sa všetky pohyblivé diely úplne zastavili:
    - vždy, keď necháte produkt bez dozoru (aj pri likvidácii odrezkov trávy).
    - pred odstránením zablokovania či uvoľnením zaneseného žľabu na vyprázdňovanie
    - pred kontrolou, čistením alebo prácou na zariadení
    - pred odobratím zásobníka na trávu alebo otvorením krytu žľabu na vysýpanie trávy
    - po zásahu cudzím predmetom – pred opätovným spustením a použitím zariadenia skontrolujte, či zariadenie nie je poškodené a v prípade potreby vykonajte opravy.
    - ak zariadenie začne neštandardne vibrovať (ihneď skontrolujte)
      - skontrolujte poškodenie, najmä na čepeliach,
      - všetky poškodené diely vymeňte alebo opravte
      - skontrolujte a utiahnite prípadne uvoľnené diely
  - Rezné ostrie by sa malo otáčať približne rovnobežne so zemou, nad ktorou sa pohybuje.
  - Čepel' na tomto produkte je ostrá. Pri montáži, výmene, čistení alebo kontrole zaistenia maticových skrutiek buďte opatrní a používajte pevné rukavice.
  - Produkt nikdy nepoužívajte, ak hlavný spínač na riadidlách nespúšťa a nezastavuje produkt správne.
  - Nikdy sa nepokúšajte zaistiť spínače v zapnutej polohe – je to mimoriadne nebezpečné.
  - Na nástroj nevyvíjajte silu. Svoju úlohu splní lepšie a bezpečnejšie, keď s ním budete pracovať pri rýchlosti, pre ktorú je určený.
  - Keď prechádzate povrchy so štrkom, zastavte ostrie.
  - Vyhýbajte sa dierám, vyjazdeným koľajám, vyvýšeninám, kameňom, alebo iným skrytým predmetom. Nerovný terén môže byť príčinou poklznutia a pádu.
  - Vždy dbajte na to, aby pri montáži alebo pri skladaní rukoväte nedošlo k zachyteniu, zovretiu či inému poškodeniu riadiaceho kábla motora.
  - Pri dlhodobom alebo zvýšenom používaní môže dôjsť k zraneniam. Keď používate výrobok dlhší čas, robte si pravidelné prestávky.

### DOPLNKOVÉ BEZPEČNOSTNÉ VÝSTRAHY PRE BATÉRIU

- Aby ste zabránili nebezpečenstvu požiaru spôsobeného skratom, poraneniam alebo poškodeniam výrobku, neponárajte náradie, výmennú batériu alebo nabíjačku do kvapalín a postarajte sa o to, aby do zariadení a akumulátorov nevnikli žiadne tekutiny. Korodujúce alebo vodivé kvapaliny, ako je slaná voda, určité chemikálie a bieliace prostriedky alebo výrobky, ktoré obsahujú bieliadlo, môžu spôsobiť skrat.
- Súpravy batérií nezneškodňujte spolu s domovým odpadom. Je potrebné využiť služby separovaného zberu a vrátiť ich do zariadenia, ktoré vykonáva ekologické recyklovanie. Informácie o zbernom mieste získate od miestneho orgánu verejnej správy alebo vám ich poskytne maloobchodný predajca.

## VLASTNOSTI VÝROBKU

### PREŤAŽENIU A OCHRANA PROTI PREHRIATIU

Výrobok má ochranné zariadenie proti preťaženiu. Pri zistení preťaženia sa výrobok automaticky vypne. Ak sa aktivuje ochrana pred preťažením, treba uvoľniť páčku na zapnutie/vypnutie. Výrobok reštartujete stlačením tlačidla na naštartovanie, potom stlačte páčku na zapnutie/vypnutie. Ak sa výrobok stále nezapne, preinštalujte akumulátor.

Jednotka akumulátora má ochranu pred prehriatím. Nadmerné teploty spôsobia, že akumulátor prestane napájať nástroj. Ak je súprava batérií príliš horúca, nechajte ju vychladnúť pred opätovným uvedením do prevádzky. Ak nástroj napriek tomu nefunguje, dobite akumulátor.

**POZNÁMKA:** Indikátor LED jednotky akumulátora nebude fungovať, pokiaľ funkcia ochrany akumulátora spôsobila prerušenia napájania nástroja z jednotky akumulátora. Vypnite výrobok alebo vyberte súpravu batérií z výrobku a LED indikátor stavu súpravy batérií obnoví normálnu funkciu.

### VYSÚVACIA RUKOVÄŤ

Tento výrobok má vysúvaciu rukoväť, ktorá sa dá nastaviť na uskladnenie a prevádzku. Pri nastavovaní výrobku na použitie, musí byť vysúvaciu rukoväť úplne vysunutá do polohy 1 alebo 2. Presvedčte sa, že rukoväť je zaistená poistnou páčkou a upínadlom s rýchlym uvoľnením. Pri vertikálnom skladovaní nezabudnite zaistiť rúčku.

### DVE PRIEHRADKY NA BATÉRIE

Výrobok funguje s použitím jednej alebo dvoch súprav batérií. Dve súpravy batérií vydávajú väčší prúd, dodávajú vyššie napätie a predlžujú prevádzku.

## VŠEOBECNÉ POKYNY NA KOSENIE TRÁVY

Výdrž akumulátora závisí od stavu, dĺžky a hustoty trávy.

Nastavte výšku rezania kosačky podľa stavu koseného trávnik.

- Najlepší výkon dosiahnete, keď vždy odstrihnete maximálne jednu tretinu celkovej výšky trávy.

- Ak kosíte vysokú trávu, znížte rýchlosť chôdze pre zefektívnenie kosenia a správne vysypávanie odrezkov.
- Väčšia výška strihania predĺži výdrž akumulátora.

## PREPRAVA A SKLADOVANIE

- Zastavte výrobok, vyberte odpojovací kľúč a batériu. Skontrolujte, či sa všetky pohyblivé diely úplne zastavili. Pred uskladnením alebo prepravou vo vozidle nechajte výrobok vychladnúť.
- Z výrobku odstráňte všetok cudzí materiál. Odložte ho na suché a dobre vetrané miesto, na ktoré nemajú prístup deti. Nedávajte zariadenie do blízkosti korozných činidiel, ako sú záhradné chemikálie a rozmrazovacie soli. Výrobok neuchovávajte vonku.
- Pri preprave na vozidle je potrebné vybrať odpojovací kľúč, zaistiť výrobok proti pohybu alebo pádu, aby sa zabránilo poraneniu osôb alebo poškodeniu výrobku.
- Dávajte maximálny pozor pri dvíhaní výrobku, ak chcete vykonať údržbu, čistenie servis alebo opravu. Ostré je ostré. Keď je ostré odkryté, nepribližujte k nemu žiadnu časť tela.

## PREPRAVA LÍTIOVÝCH AKUMULÁTOROV

Akumulátory prepravujte v súlade s miestnymi smernicami a nariadeniami.

Keď akumulátory prepravuje tretia strana, dodržiavajte všetky požiadavky na balení a označení. Zabezpečte, aby počas prepravy akumulátory neprišli do kontaktu s inými akumulátormi ani vodivými materiálmi – chráňte obnažené konektory pomocou izolácie, nevodivými viečkami alebo páskou. Neprepravujte akumulátory, ktoré sú prasknuté alebo vytekajú. Ďalšie pokyny zistíte u nasledujúcej spoločnosti.

## ÚDRŽBA

- Používajte len originálne náhradné diely, príslušenstvo a nástavce výrobcu. V opačnom prípade môže dôjsť k možnému poraneniu, nedostatočnému výkonu a strate platnosti záruky.
- Údržba vyžaduje extrémnu starostlivosť a znalosti, a musí byť prevádzaná výhradne v autorizovanom servise. Servis výrobku zverte len autorizovanému servisnému stredisku.

- Zastavte výrobok, vyberte odpojovací kľúč a batériu. Pred akýmkoľvek čistením alebo vykonávaním údržby sa ubezpečte, že sa všetky pohyblivé časti úplne zastavili.
- Z bezpečnostných dôvodov vymeňte všetky opotrebené alebo poškodené diely.
- Pravidelne a často kontrolujte zachytávač trávy či nie je opotrebovaný alebo poškodený.
- Skontrolujte všetky skrutky, matice v častých intervaloch či sú riadne utiahnuté, aby sa zaistila bezpečná prevádzka produktu.
- Pri nastavovaní nástroja buďte opatrní, aby nedošlo k zachyteniu prstov medzi pohybujúce sa ostria a pevné diely nástroja.
- Pri údržbe nožov je potrebné si uvedomiť, že napriek tomu, že je zdroj napájania vypnutý, nože sa stále ešte môžu pohybovať.
- Môžete vykonávať úpravy a opravy popísané v tejto príručke. Ostatné opravy zverte len autorizovanému servisnému stredisku.
- Po každom použití plastové diely očistite mäkkou suchou tkaninou. Akýkoľvek poškodený diel sa musí náležite opraviť alebo vymeniť v autorizovanom servisnom centre.
- Čepel' na tomto produkte je ostrá. Pri montáži, výmene, čistení alebo kontrole zaistenia maticových skrutiek buďte opatrní a používajte pevné rukavice.
- Skrutky nožov musí byť dostatočne utiahnuté. Prečítajte si odporúčanie výrobcu na krútiaci moment skrutky noža, ktorý nájdete v tabuľke špecifikácií výrobku v tomto návode.

## ODSTRÁNENIE UPCHATIA

- Zastavte výrobok, vyberte odpojovací kľúč a batériu. Skontrolujte, či sa všetky pohyblivé diely úplne zastavili.
- Pri kontrole a čistení zablokovania vždy používajte pevné ochranné rukavice. Čepele sú ostré a predmet zablokovania môže byť ostrý.
- Odložte zberný kôš. Skontrolujte zásobník na trávu a opatrne odstráňte prekážky.
- Skontrolujte, či nie je žľab na vyprázdňovanie trávy upchatý a opatrne ho vyčistite.
- Otočte výrobok nabok. Skontrolujte spodok a oblasť okolo noža. Starostlivo odstráňte všetko, čo ho blokuje. Nezapúďajte, že nože sa môžu počas čistenia pohnúť.

## OBOZNÁMTE SA S VAŠIM PRODUKTOM

Pozrite stranu 163.

1. Doska rozhrania
2. Spúšťače tlačidlo
3. Páčka na zapnutie/vypnutie
4. Vysúvacía rukoväť
5. Návod na obsluhu
6. Poistná páčka rukoväti
7. Rozpojovací kľúč
8. Indikátor plnej skrinky na trávu
9. Páčka na nastavenie výšky kosenia
10. Upínadlo s rýchlym uvoľnením
11. Zberač trávy
12. Dvierka priečinka na akumulátor
13. Zadné koleso
14. Predné koleso
15. Mulčovací prípojka
16. Batéria
17. Nabíjačka

## SYMBOLY NA PRODUKTE



Pred používaním výrobku si prečítajte a pochopte všetky pokyny. Dodržujte všetky výstrahy a bezpečnostné pokyny.



Používajte chrániče sluchu



Používajte chrániče zraku



Výrobok neobsluhujte na svahoch strmších ako 15°. Na strmých svahoch koste po vrstevniciach, nikdy nie hore a dolu svahom.



Nevystavujte dažďu ani nepoužívajte vo vlhkom prostredí.



Pozor na ostré ostria. Po vypnutí motora sa čepele stále otáčajú. Pred údržbou vyberte kľúč izolátora.



Pozor na vymrštené alebo odletujúce objekty. Zabezpečte, aby všetci okolostojaci, hlavne deti a zvieratá, boli aspoň 15 m od plochy používania výrobku.



Štart



Stop



Opotrebované elektrické zariadenia by ste nemali odhadzovať do domového odpadu. Prosíme o recykláciu ak je možné. Kontaktujte miestne úrady, alebo predajcu pre viac informácií ohľadom ekologického spracovania.



Európske označenie zhody



Britské označenie zhody



Euroázijská značka zhody



Ukrajinské označenie zhody



Garantovaná úroveň hluku



Poloha 1 na vysúvacej rukoväti



Poloha 2 na vysúvacej rukoväti

## SYMBOLY V TOMTO NÁVODE



Diely alebo príslušenstvo predávané samostatne



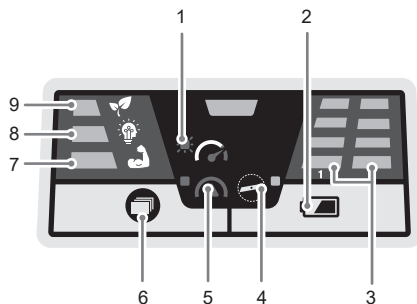
Poznámka



Varovanie

## PREHĽAD DOSKY ROZHRAZIA

Doska rozhrania zobrazuje stav a prípadne problémy výrobku.



1. Vysoké zaťaženie – indikuje, že zaťaženie je príliš vysoké pre aktuálne nastavenie a produkt sa môže zastaviť. Prepnite do režimu napájania, zväčšite výšku rezania alebo znížte rýchlosť chôdze.
2. Tlačidlo stavu nabitia batérie - po stlačení sa rozsvieti indikátor nabitia batérie.
3. Indikátor úrovne batérie – indikuje zostávajúcu veľkosť nabitia súprav batérií.
  - Ak svieti len jeden svetelný indikátor LED, kapacita súpravy batérií je nižšia ako 25 %.
  - Ak svietia dva svetelné indikátory LED, kapacita súpravy batérií je v rozmedzí 25 % až 50 %.
  - Ak svietia tri svetelné indikátory LED, kapacita súpravy batérií je v rozmedzí 50 % až 75 %.
  - Ak svietia štyri svetelné indikátory LED, kapacita súpravy batérií je plne nabitá. Kapacita jednotky akumulátora je medzi 75%-100%.
4. Indikátor kontroly noža – indikuje, že je potrebné skontrolovať nôž. Tupý nôž vymeňte, aby ste udržali produkt v dobrom prevádzkovom stave.
5. Indikátor preťaženia – indikuje, že produkt je preťažený a že sa môže nôž zaseknúť.
6. Tlačidlo režimu – po stlačení sa zmení režim rezania výrobku.
7. Režim Power (Výkon) – indikuje, že nože majú vysokú rýchlosť na sekanie silnej trávy.
8. Režim Smart (Sofistikovaný) – indikuje, že kosačka dokáže nastaviť rýchlosť noža podľa zaťaženia výrobku pri bežnom kosení.
9. Režim Eco (Ekologický) – indikuje, že nôž má nízku rýchlosť na sekanie.

Безопасността, производителността и надеждността са аспектите, на които е отделен най-голям приоритет при проектирането на вашия вашия Безжична косачка.

## ПРЕДНАЗНАЧЕНИЕ

Безкабелната косачка за трева е предназначена за използване само на открито.

Този продукт е предназначен за косене на домашни тревни площи. Това е пешеходно управлявана косачка за тревни площи, предназначен да бъде бутан с ръце.

Никога не трябва да се работи с продукта, ако колелата му не са в контакт със земната повърхност. Не трябва да я теглите или да се возите на нея.

Не го използвайте за никакви други цели.

## ОБЩИ ПРЕДУПРЕЖДЕНИЯ ЗА БЕЗОПАСНОСТ

- Съхранявайте ръководството за експлоатация на сигурно място, за да можете да го ползвате и по-късно.
- Използвайте продукта само с акумулаторните батерии, посочени в настоящото ръководство. Когато използвате работещ с батерия продукт, трябва да се спазват всички основни мерки за безопасност, за да се намали рискът от пожар, течащи батерии или физически наранявания.

## ЛИЧНА БЕЗОПАСНОСТ

- Никога не позволявайте на деца, на хора с ограничени физически, сетивни или умствени способности и на хора, които не са запознати с тези инструкции, да работят и да извършват дейности по почистване и поддръжка на продукта. Местните наредби могат да налагат ограничения за възрастта на оператора. Децата трябва да бъдат внимателно надзиравани, за да се гарантира, че не си играят с продукта.
- Запознайте се с контролите за управление и правилното използване на продукта.
- Носете тежки, дълги панталони, дрехи с дълги ръкави и здрави обувки против хлъзгане. Не носете шорти, сандали и не ходете боси. Избягвайте носенето на широки дрехи или дрехи с висящи шнурове или вратовръзки.

- Върху наклонени терени работете с продукта на пряко спрямо повърхността, никога нагоре и надолу. Бъдете особено бдителни при смяна на посоката на наклона. Заемайте стабилна позиция и пазете баланс. Вървете, никога не тичайте, когато косите.
- Не използвайте уреда в близост до насипи, канавки, прекалено стръмни повърхности или диги.
- Винаги носете предпазни очила.
- Продуктът може да отреже крак или ръка, както и да изхвърля предмети. Съблюдавайте всички инструкции за безопасност. В противен случай може да се стигне до сериозни физически наранявания или смърт.
- Бъдете бдителни, внимавайте какво правите и проявявайте благоразумие, когато боравите с уреда. Не използвайте този продукт, ако сте уморени, болни или под влиянието на алкохол, наркотици или лекарства. Миг невнимание при работа с машината може да доведе до сериозно физическо нараняване.

## БЕЗОПАСНОСТ НА РАБОТНАТА ЗОНА

- Никога не използвайте продукта, докато хора (особено деца) или домашни животни са в радиус от 15 м, защото съществува риск да отхвърчат предмети в следствие на контакт с острието.
- Използвайте продукта само на дневна светлина или при добро изкуствено осветление.
- Не работете с машината върху влажна трева или при дъжд.
- Трябва да знаете, че операторът или потребителят е отговорен за причиняването на злополуки или щети на други лица или имущество.
- Предмети, изхвърлени от косачката, могат да причинят сериозни наранявания. Проверете внимателно зоната, където ще се използва машината, и отстранете всички камъни, пръчки, метални предмети, кабели, кости, играчки или други чужди предмети. Не забравяйте, че в режещия механизъм могат да се заплетат върви или жици.
- Не работете с машината в среда с повишена опасност от възникване на експлозия, в близост до леснозапалими

течности, газове или прахообразни материали. По време на работа инструментът може да произведе искри, които да възпламенят прах или пари.

- Не използвайте продукта, когато има риск от мълнии.
- Операторът трябва да е винаги нащрек в присъствието на деца, за да се избегнат трагични инциденти. Децата обикновено са любопитни към машините и към процеса на косене. Не мислете, че децата ще стоят дълго на мястото, където сте ги видели за последно.
- Бъдете допълнително внимателно при приближаване слепи завои, храсти, дървета или други предмети, включително надвиснали храсти, които могат да попречат на видимостта ви.

### **ИЗПОЛЗВАНЕ И ОБСЛУЖВАНЕ НА ИНСТРУМЕНТА С БАТЕРИЯ**

- Прочетете, разберете и винаги следвайте инструкциите за безопасност, предоставени към вашия акумулатор и зарядно устройство. Неспазването на инструкциите може да доведе до токов удар, пожар или други опасни ситуации. Запазете всички инструкции заедно и на сигурно място за бъдещи справки.
- Не е нужно инструментите, захранвани с батерии, да бъдат включвани в електрически контакт; следователно те винаги са в работно състояние. Изваждайте ключа на изолатора, когато не работите с продукта.
- Извадете батерията, преди да извършвате каквито и да е настройки, почистване или изваждане на материали от уреда.
- Уверете се, че ключът на изолатора е отстранен, преди да поставите батерията.
- Батерията трябва да се зарежда само със зарядното устройство, посочено от производителя. Използването на зарядно устройство с несъвместима батерия може да доведе до риск от пожар. Използвайте само посоченото зарядно устройство, за да зареждате батерията.
- Използвайте само батерии, конкретно предназначени за инструмента. Използването на други батерии може да доведе до риск от пожар, токов удар или физическо увреждане.

- Когато батерията не се използва, съхранявайте я далеч от други метални обекти, като например кламери, монети, ключове, гвоздеи, гайки или други малки метални обекти, които могат да направят връзка между клемите. Евентуално късо съединение от клемите на акумулаторната батерия може да предизвика искри, изгаряния, пожар или експлозия.
- Не оставяйте продукти с батерии или техните батерии близо до огън или топлина. Това повишава опасността от експлозия и вероятността за наранявания.
- Не отваряйте и не повреждайте батерията. Освободеният електролит е разяждащ и може да доведе до увреждане на очите или кожата. Може да е отровен, ако се погълне.
- Предпазвайте батерията от влага и вода. Никога не презареждайте инструмент на мокри или влажни места. Спазването на това правило ще намали риска от токов удар.
- В случай на повреда и неправилно използване на батерията може да се отделят изпарения. Осигурете свеж въздух и потърсете лекарска помощ в случай на оплаквания. Изпаренията може да възпалят дихателната система.
- Не оставяйте акумулаторната батерия вътре в автомобил, ако условията са много горещи или студени.
- Не изгаряйте батерията.
- При неправилно използване батерията може да отдели течност; избягвайте контакт. Ако случайно настъпи контакт, промийте с вода. Ако течността влезе в контакт с очите, потърсете незабавно медицинска помощ. Отделената от батерията течност може да причини възпаление или изгаряния.

### **ПРЕДУПРЕЖДЕНИЯ ЗА БЕЗОПАСНА РАБОТА С КОСАЧКАТА ЗА ТРЕВА**

- Преди употреба винаги проверявайте визуално продукта, за да се уверите, че остриетата, болтовете за остриетата и модула с остриета не са износени или повредени. Заменете износените или повредените остриета и болтове заедно, за да запазите баланса.



- Занесете продукта в оторизиран сервизен център, ако е необходима замяна на повредени или нечетливи етикети.
- Не дърпайте уреда назад, освен ако не е абсолютно необходимо. Ако трябва да върнете машината в обратна посока, за да избегнете стена или препятствие, първо се огледайте надолу и назад, за да избегнете спъване или дръпване на машината над краката си.
- Изключете продукта и оставете острието да спре, ако се налага продуктът да бъде наклонен за транспортиране при преминаване на повърхности, различни от трева, както и при транспортиране на продукта до и от работната зона.
- Никога не използвайте продукта, ако има дефектни предпазители или прегради или без да са поставени защитни устройства, например отклонители и кошове за трева.
- Не накланяйте продукта, когато включвате двигателя или докато двигателят работи. Ако е абсолютно необходимо, може да повдигнете предната част на косачката за трева с не повече от 5 cm, за да позволите по-лесно стартиране. Натиснете надолу лоста за управление, за да постигнете това. Винаги връщайте косачката в нормалното ѝ положение с всички колела на земята преди косене. Накланянето на косачката излага ножа и увеличава вероятността от изхвърляне на предмети и случаен контакт с острието.
- Не стартирайте продукта, когато стоите пред отвора за изхвърляне на трева.
- При стартиране на продукта потребителят трябва да е заел позиция зад ръкохватките, където е зоната за безопасност на оператора. Никога не стартирайте продукта, ако:
  - Улеят за отвеждане на трева е изложен и не е защитен от коша за трева и капака на улея за отвеждане на трева
  - ръцете и краката на всички близкостоящи лица не са на безопасно разстояние от режещия механизъм.
- Включете внимателно продукта съгласно инструкциите и дръжте ръцете и краката далеч от остриетата. Не поставяйте ръцете или краката си близо до или под въртящите се части. Винаги стоите далеч от улея за изхвърляне.
- Никога не вдигайте и не носете продукта, докато моторът му работи.
- Спрете машината, свалете разединителя и акумулатора. Уверете се, че всички движещи се части са спрели напълно:
  - когато оставяте продукта без надзор (включително, за да изхвърлите тревните отрязъци);
  - преди почистване на запушване или отпушване на отвеждащия улей
  - преди проверка, почистване или работа по уреда
  - преди сваляне на коша за трева или отваряне на капака на изпускателния улей за трева
  - след сблъсък с друг предмет; инспектирайте уреда за повреди и извършете необходимите поправки, преди да рестартирате машината и да я използвате отново.
  - ако уредът започне да вибрира неестествено (проверете незабавно)
    - когато инспектирате за повреди, особено когато проверявате остриетата.
    - заменете или ремонтирайте всички повредени детайли
    - проверете има ли незатегнати детайли и при необходимост ги затегнете
- Режещото острие трябва да се върти приблизително паралелно на земната повърхност, над която преминава.
- Острието на продукта е много остро. Бъдете внимателни и носете здрави предпазни ръкавици, когато затягате, подменяте, почиствате или инспектирате болтовете.
- Никога не работете с продукта, ако превключвателят за включване/изключване от ръкохватката не стартира и не спира правилно продукта.
- Никога не опитвайте да фиксирате превключвателите за включване/изключване така, че да са постоянно в позиция **ВКЛЮЧЕНО**; това е изключително опасно.
- Не насилвайте продукта. Той ще свърши работата по-добре и по-безопасно в заданията от производителя диапазон на натоварване.
- Спрете острието, когато преминавате над чакълести повърхности.

- Избягвайте дупки, бразди, издутини, камъни или други скрити предмети. Неравният терен може да доведе до подхлъзване и падане.
- Никога не допускайте контролния кабел на мотора да се заклещва, прищипва или поврежда по друг начин, докато сглобявате продукта или сгъвате ръкохватката.
- Продължителното използване на инструмента може да доведе до наранявания или влошаване. Когато използвате продукта продължително време, уверявайте се, че правите редовни почивки.

### ДОПЪЛНИТЕЛНИ ПРЕДУПРЕЖДЕНИЯ ЗА БЕЗОПАСНОСТ ЗА БАТЕРИЯТА

- За да избегнете опасността от пожар, предизвикана от късо съединение, както и нараняванията и повредите на продукта, не потапяйте инструмента, сменяемата акумулаторна батерия или зарядното устройство в течности и се погрижете в уредите и акумулаторните батерии да не попадат течности. Течностите, предизвикващи корозия или провеждащи електричество, като солена вода, определени химикали, избелващи вещества или продукти, съдържащи избелващи вещества, могат да предизвикат късо съединение.
- Не изхвърляйте акумулаторни батерии заедно с битовите отпадъци. Те трябва да се събират отделно и да се предадат в център за екосъобразно рециклиране. Обърнете се към местните власти или към продавача за съвет относно рециклирането и местата за събиране.

### ХАРАКТЕРИСТИКИ НА МАШИНАТА

#### ПРЕТОВАРВАНЕ И ЗАЩИТА ОТ ПРЕГРЯВАНЕ

Машината има предпазно устройство срещу претоварване. Когато се открие претоварване, машината ще се изключи автоматично. Ако се задейства предпазното устройство срещу претоварване, лостът за включване/изключване трябва да се отпусне. Натиснете бутона за стартиране и стиснете лоста за включване/изключване, за да рестартирате уреда. Ако уредът все още не се включва, поставете отново акумулаторната батерия.

Акумулаторната батерия има защита против прегряване. Извънредно високите температури ще доведат до спиране на захранването на инструмента от батерията. Ако акумулаторната батерия е прекалено гореща, оставете я да изстине преди възобновяване на работата. Ако инструментът все още не работи, презаредете батерията.

**ЗАБЕЛЕЖКА:** Светодиодният индикатор на батерията няма да работи, ако защитната функция на батерията е довела до спирането на захранването на инструмента от батерията. Изключете продукта или свалете акумулаторната батерия от машината и светодиодният индикатор на батерията ще възобнови нормалното си функциониране.

#### ТЕЛЕСКОПИЧНА ДРЪЖКА

Машината е оборудвана с телескопична дръжка, която може да се регулира за съхранение и работа. Телескопичната дръжка трябва да бъде изтеглена за положение 1 или 2, когато регулирате машината за използване. Уверете се, че дръжката е застопорена с лоста за заключване на дръжката и скобата за бързо освобождаване. Уверете се, че ръкохватката е заключена по време на съхранение във вертикално положение.

#### ДВА СЛОТА ЗА БАТЕРИИ

Продуктът може да функционира с една или две акумулаторни батерии. Две акумулаторни батерии освобождават повече ток, осигуряват по-голяма мощност и удължават времето за работа.

#### ОБЩИ СЪВЕТИ ЗА КОСЕНЕ

Времето за изтощаване на акумулатора зависи от състоянието, височината и гъстотата на тревата.

Регулирайте височината на рязане на косачката, така че да съответства на текущото състояние на тревната площ, която ще косите.

- За най-добро изпълнение винаги режете не повече от една трета от общата височина на тревата.
- При косене на висока трева забавете хода си за по-голяма ефективност и правилно изхвърляне на отрязаната трева.

- По високата височина на рязане ще удължи времето за изтощаване на акумулатора.

## ТРАНСПОРТИРАНЕ И СЪХРАНЕНИЕ

- Спрете машината, свалете разединителя и акумулатора. Уверете се, че всички движещи се части са спрели напълно. Оставете продукта да се охлади преди съхранение или транспорт с превозно средство.
- Почистете продукта от всички чужди частици. Съхранявайте я на хладно, сухо и добре проветрявано място, което е недостъпно за деца. Дръжте продукта далече от разяждащи вещества, като например градински химикали и размразяващи соли. Не съхранявайте продукта на открито.
- За транспортирането в превозни средства, свалете разделителя и осигурете машината срещу преместване или падане, за да предотвратите нараняване на хора или повреда на машината.
- Бъдете изключително внимателни, когато повдигате или накланяте продукта за поддръжка, почистване, прибиране за съхранение или транспортиране. Острието е остро. Пазете всички части на тялото далече от острието, когато то е открито.

## ТРАНСПОРТИРАНЕ НА ЛИТИЕВИ БАТЕРИИ

Транспортирайте батериите в съответствие с местните и национални постановления и разпоредби.

Спазвайте всички специални изисквания за пакетиране и етикетирание, когато транспортирате батерии чрез трето лице. Уверете се, че батериите не влизат в контакт с други батерии или проводими материали по време на транспортиране, като предпазите откритите конектори с изолация, непроводими капачета или лента. Не транспортирайте батерии, които са спукани или текат. Свържете се със следната компания за допълнителен съвет.

## ПОДДРЪЖКА

- Използвайте само оригинални резервни части, аксесоари и приставки от производителя. В противен случай може да се влоши работата на инструмента или да получите тежки контузии, а гаранцията ви ще стане невалидна.

- Сервизното обслужване изисква изключително внимание и специфични познания и следва да бъде извършвано само от квалифициран техник. Продуктът трябва да бъде ремонтиран само в упълномощен сервиз.

- Спрете машината, свалете разединителя и акумулатора. Уверете се, че всички движещи се части са напълно спрели, преди каквото и да е почистване или задача по обслужване.

- За обезпечаване на вашата безопасност заменяйте своевременно износени или повредени детайли.

- Периодично проверявайте колектора на трева за износване или повреди.

- Периодично проверявайте дали всички гайки, болтове и винтове са правилно затегнати, за да сте сигурни, че продуктът е в изправност.

- Внимавайте при регулиране на инструмента, за да предотвратите заклещването на пръстите си между движещите се остриета и неподвижните части на инструмента.

- Когато извършвате обслужване на остриетата, имайте предвид, че те могат да се движат дори и при изключено захранване.

- Можете да правите настройки и поправки, описани в това ръководство на потребителя. Останалите видове ремонтни дейности трябва да се извършват само в упълномощен сервизен център.

- След всяка употреба почиствайте пластмасовите части с мека и суха кърпа. Всяка повредена част трябва да бъде поправена или заменена от упълномощен сервизен център.

- Острието на продукта е много остро. Бъдете внимателни и носете здрави предпазни ръкавици, когато затягате, подменяте, почиствате или инспектирате болтовете.

- Болтовете на ножовете трябва да бъдат подходящо затегнати. Вижте препоръките на производителя за момента на затягане на болтовете на ножовете, които могат да се намерят в таблицата със спецификациите на машината в това ръководство.

## ОТСТРАНЯВАНЕ НА ЗАПУШВАНЕ

- Спрете машината, свалете разединителя и акумулатора. Уверете се, че всички движещи се части са спрели напълно.
- Винаги носете здрави защитни ръкавици, когато проверявате за запушвания или отстранявате такива. Остриетата са остри и самото задръстване може да бъде остър предмет.
- Свалете коша за трева. Проверете коша трева за задръствания и внимателно го почистете.
- Проверете изпускателния улей за трева за задръстване и внимателно почистете.
- Поставете продукта на едната му страна. Проверете я от долната страна и зоната около острието. Внимателно отстранете задръстванията, ако има такива. Не забравяйте, че ножът може да се движи по време на почистването.

## ОПОЗНАЙТЕ ВАШИЯ ПРОДУКТ

Вж. страница 163.

1. Интерфейсно табло
2. Бутон за стартиране
3. Лост за включване/изключване
4. Телескопична дръжка
5. Ръководство за оператора
6. Лост за заключване на ръкохватката
7. Ключ на изолатора
8. Индикатор за запълненост на кутията за трева
9. Лост за регулиране на височината на косене
10. Закопчалка за бързо освобождаване
11. Колектор на трева
12. Врата за батериите
13. Задно колело
14. Предно колело
15. Приспособление за мулчиране
16. Батерия
17. Зарядно устройство

## СИМВОЛИ НА ПРОДУКТА



Прочетете и разберете всички инструкции, преди да използвате продукта. Следвайте всички предупреждения и инструкции за безопасност.



Носете антифони



Носете защитни средства за очи



Не работете с продукта по наклони над 15°. Косете наклонените повърхности напърно, никога нагоре и надолу.



Не излагайте на дъжд и на влажни условия.



Внимавайте с острието. След изключване на двигателя остриетата продължават да се въртят. Преди извършване на профилактика свалете разделителя.



Внимавайте за изхвърлени или летящи обекти. Близкостоящите, особено деца и домашни любимци, трябва да стоят поне на 15 m от зоната на работа.



Старт



Стоп



Електрическите уреди не трябва да се изхвърлят заедно с битовите отпадъци. Рециклирайте, където има възможност. Обърнете се за съвет по рециклирането към местните власти или разпространителите.



Знак за съответствие с европейските изисквания



Знак за съответствие с изискванията на Обединеното кралство



EurAsian знак за съответствие



Знак за съответствие с изискванията на Украйна



Гарантирано ниво на шум



Положение 1 на телескопичната ръкохватка



Положение 2 на телескопичната ръкохватка

## СИМВОЛИ В НАСТОЯЩОТО РЪКОВОДСТВО



Частите или принадлежностите се продават отделно



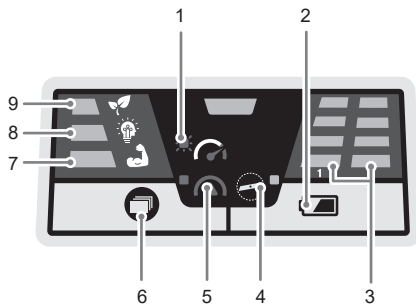
Забележка



Предупреждение

## ОБЩ ПРЕГЛЕД НА ИНТЕРФЕЙСНОТО ТАБЛО

На интерфейсното табло се показват статусът и състоянието на продукта.



1. Високо натоварване – показва, че натоварването е прекалено високо за текущата настройка и машината може да спре. Превключете в режим на висока мощност, увеличете височината на косене или намалете скоростта на ходене.
2. Бутон за състоянието на зареждане на батерията - при натискането му светва индикаторът за нивото на заряд на батерията.
3. Индикатор за нивото на заряд на батерията – показва количеството останал заряд в акумулаторните батерии.
  - Ако свети само един светодиода, капацитетът на акумулаторната батерия е по-нисък от 25%.

- Ако светят два светодиода, капацитетът на акумулаторната батерия е между 25% и 50%.
  - Ако светят три светодиода, капацитетът на акумулаторната батерия е между 50% и 75%.
  - Ако светят четири светодиода, акумулаторната батерия е напълно заредена. Капацитетът на батерията е между 75%-100%.
4. Индикатор за проверка на острието – показва, че острието трябва да бъде проверено. Подменете затъпеното острие, за да поддържате продукта в добро работно състояние.
  5. Индикатор за претоварване – показва, че машината е претоварена и че острието може да е заседнало.
  6. Бутон за режим – при натискането му се променя режимът на рязане на продукта.
  7. Режим на висока мощност – показва, че острието работи с голяма скорост за рязане на тежка трева.
  8. Интелигентен режим – показва, че косачката може да регулира скоростта на острието в зависимост от натоварването на машината за общо рязане.
  9. Еко режим – показва, че острието работи с ниска скорост за рязане на тънка трева.

У дизайні Вашої бездротової газонокосарки першочергову увагу приділено безпеці, потужності та надійності.

### ПЕРЕДБАЧУВАНОМУ ВИКОРИСТАННІ

Бездротова газонокосарка призначена для використання тільки на свіжому повітрі.

Цей інструмент призначено для скошування газону на присадібній ділянці. Газонокосарка керується вручну користувачем, що йде за пристроєм та штовхає його вручну.

Продукт не повинен експлуатуватися з колесами не на землі. Заборонено тягнути пристрій або їздити на ньому.

Не використовуйте для будь-яких інших цілей.

### ЗАГАЛЬНІ ЗАХОДИ БЕЗПЕКИ

- Будь ласка, збережіть інструкції з безпеки для подальшого використання.
- Використовуйте пристрій лише з акумуляторами зазначеними у цій інструкції з використання. При використанні інструментів, що живляться від акумуляторів, завжди слід дотримуватися основних запобіжних заходів, щоб зменшити ризик виникнення пожежі, витоку з акумуляторів та травмування.

### ОСОБИСТА БЕЗПЕКА

- Ніколи не дозволяйте дітям або людям з обмеженими фізичними, сенсорними або розумовими здібностями, або незнайомим з цими інструкціями, працювати, чистити або обслуговувати машину. Місцеве законодавство може обмежувати вік оператора. Потрібно належним чином стежити за дітьми, щоб вони не грали з машиною.
- Добре ознайомтеся з органами управління та правильним використанням машини.
- Одягайте важкі, довгі штани, одяг із довгими рукавами та міцне нековзке взуття. Не можна працювати в шортах, сандаліях або босоніж. Уникайте носити вільний одяг, або з висячними шнурками або зав'язками.
- При скошуванні на схилах переміщуйте косарку вздовж поверхні схилу, а не вгору-вниз. Будьте особливо обережними під час зміни напрямку на схилах. Тримайте міцну опору і рівновагу. Ходіть, ніколи не бігайте.

- Не використовуйте продукт поблизу обривів, канав, надмірно крутих схилів або набережних.
- Завжди надягайте захисні окуляри.
- При неналежному використанні пристрій може відрізати руки чи ступні, а також під час роботи може розкидати предмети, що підпадають під нього. Недотримання правил безпеки може призвести до серйозних травмувань чи навіть летальних наслідків.
- Будьте уважні, дивіться, що ви робите, і використовуйте здоровий глузд при експлуатації виробу. Не працюйте з виробом, коли ви втомлені або знаходитесь під дією наркотиків, алкоголю або медикаментів. Втрата концентрації під час роботи виробу може призвести до серйозної травми.

### БЕЗПЕКА РОБОЧОГО МІСЦЯ

- Ніколи не використовуйте цей виріб, коли на відстані 15 м знаходяться люди, особливо діти, або тварини, тому що існує небезпека, що під час контакту з лезом можуть викидатися предмети.
- Використовуйте продукт при денному світлі або при хорошому штучному освітленні.
- Не використовуйте машину при мокрій траві або в дощ.
- Майте на увазі, що оператор або користувач несе відповідальність за нещасні випадки або пошкодження спричинені іншим особам або їх майну.
- Предмети, відкинуті косаркою, можуть призвести до серйозних травмувань у людей. Ретельно огляньте місце, де використовуватиметься пристрій і приберіть усі камені, великі гілки, металеві предмети, дроти, кістки, іграшки й інші сторонні предмети. Пам'ятайте, що ріжучі засоби можуть заплутати мотузку або дріт.
- Не використовуйте продукт у вибухонебезпечних атмосферах, наприклад, у присутності легко займистих рідин, газів або пилу. Під час роботи косарки виникають іскри, що можуть призвести до займання пилу або парів.
- Не використовуйте продукт, якщо є ризик блискавки.

- Неуважність оператора газонокосарки до присутності дітей може мати трагічні наслідки. Діти дуже цікавляться самим інструментом, і процесом скошування трави. Не слід сподіватись, що діти залишатимуться там, де Ви в останнє їх бачили.
- Будьте особливо обережні поблизу поворотів з поганою оглядовістю, чагарників, дерев або інших об'єктів, враховуючи висячі кущі, які можуть заважати огляду.
- Коли акумуляторна батарея не використовується, тримайте її подалі від металевих предметів, таких як кліпси, монети, ключі, цвяхи, гвинти або інші невеликі металеві предмети, які можуть замкнути клему. Замикання клем акумулятора може призвести до отримання іскор, опіків, пожежі або вибуху.
- Не залишайте акумуляторні продукти або їхні акумулятори поблизу вогню або тепла. Це збільшує ризик вибуху і, можливо, травми.

## ВИКОРИСТАННЯ І ДОГЛЯД ІНСТРУМЕНТУ НА БАТАРЕЙКАХ

- Прочитайте, зрозумійте і завжди дотримуйтесь інструкцій з техніки безпеки, що додаються до акумулятора і зарядного пристрою. Невиконання цієї вимоги може призвести до ураження електричним струмом, пожежі або інших небезпечних ситуацій. Зберігайте всі інструкції разом в надійному місці для подальшого використання.
- Машина, працююча на акумуляторі не повинна бути підключена до електричної розетки; тому, вона завжди знаходяться в робочому стані. Висуньте ключ запалення, якщо Ви не користуєтесь косаркою.
- Зніміть акумулятор перед регулюванням, очищенням або видаленням матеріалу з продукту
- Перш ніж вставити акумуляторний блок, переконайтесь, що ключ запалення вийнято.
- Акумуляторна батарея повинна бути заряджена тільки за допомогою зарядного пристрою, зазначеного виробником. Використання зарядного пристрою з несумісною акумуляторною батареєю може створити ризик загоряння. Акумулятор треба заряджати виключно за допомогою зарядного пристрою, рекомендованого виробником.
- Використовуйте лише акумуляторні батареї, спеціально призначені для цієї машини. Використання будь-яких інших акумуляторів може призвести до ризику виникнення пожежі, ураження електричним струмом або травмування осіб.
- Не відкривайте та не діформуйте акумулятор. Електроліт є агресивною рідиною і може привести до пошкодження очей або шкіри. Він може бути токсичним при ковтанні.
- Захистіть акумуляторний блок від вологи і води. Не заряджайте виріб у вологому або мокрому місці. Дотримання цього правила дозволить знизити ризик ураження електричним струмом.
- У разі пошкодження і неправильного використання акумулятора, може виділятися пара. Забезпечіть доступ свіжого повітря і зверніться за медичною допомогою у разі скарг. Пара може подразнювати дихальні шляхи.
- Не залишайте акумулятор в салоні автомобіля в жарких або холодних умовах.
- Не спалюйте акумулятори.
- У важких умовах експлуатації, рідина може бути випущена з батареї; уникайте контакту. При випадковому контакті змийте водою. Якщо рідина потрапила в очі, зверніться за медичною допомогою. Рідина з акумулятора може викликати роздратування або опіки.

## ЗАСТЕРЕЖЕННЯ ЩОДО БЕЗПЕЧНОГО ВИКОРИСТАННЯ ГАЗОКОСАРКИ

- Перед використанням завжди перевіряйте ножі, болти кріплення ножів та блок скошування в цілому на зношеність та пошкодження. Замініть зношені або пошкоджені компоненти, для збереження балансу.
- Принесіть продукт в авторизований сервісний центр для заміни пошкоджених або нечитаемих етикеток.

- Не тягніть виріб назад, тільки, якщо це абсолютно необхідно. Якщо необхідно відвести назад машину від стіни або перешкоди, перш дивіться вниз і назад, щоб уникнути відключення або протягнення машини по вашим ногам.
- Вимкніть пристрій і дочекайтеся, доки ножі зупиняться, якщо потрібно нахилити пристрій задля транспортування, при перетині будь-яких поверхонь, крім трави, а також при транспортуванні до і від місця використання.
- Заборонено використання пристрою з пошкодженими захисними кожухами або щитками, а також без захисного обладнання, наприклад, відбивача трави та/або збирача трави.
- Не нахиляйте пристрій при вмиканні двигуна або під час роботи двигуна. Ви можете підняти передню частину газонокосарки не більше, ніж на 5 см, якщо це дійсно необхідно для легкого запуску. Для здійснення цього, натисніть на кермо униз. Перед початком косіння завжди встановлюйте газонокосарку так, щоби всі колеса торкалися землі. При нахиланні газонокосарки оголюються ножі, внаслідок чого підвищується ймовірність розліту часток та випадкового контакту із ножем.
- Не запускайте пристрій, стоячи перед отвором викиду трави.
- Виріб треба запускати, коли користувач знаходиться позаду керма у безпечній зоні. Ніколи не запускайте виріб, доки:
  - жолоб викидання трави відкритий та незахищений збірником зрізаної трави та кожухом жолобу викидання трави
  - руки та ноги всіх осіб не знаходяться поріч з огороженням ріжучої зони
- Обережно увімкніть пристрій відповідно до інструкцій та тримайте руки та ноги якомога далі від лез. Не пікладайте руки або ноги під обертаючі деталі. Завжди тримайтеся подалі від випускного отвору.
- Ніколи не підіймайте або носіть пристрій під час його роботи.
- Зупиніть двигун, демонтуйте рукоятку та акумулятор. Переконайтеся, що всі рухомі частини зупинилися:
  - коли Ви залишаєте інструмент без нагляду (включаючи при викиданні скошеної трави)
  - перш ніж видаляти засмічення або прочищати бункер
  - перед перевіркою, чищенням, або роботі на продукті
  - перед демонтажем збірника скошеної трави та відкриття корпусу жолоба викидання трави
  - якщо інструмент натрапив на сторонній предмет огляньте пристрій на наявність пошкоджень, за необхідністю полагодуєте, перш ніж продовжувати роботу.
  - якщо машина починає аномально вібрувати (перевірте відразу)
    - перевірте виріб на наявність пошкоджень, особливо лез
    - замінити або відремонтувати пошкоджені деталі
    - перевірити і затягнути послаблені частини
- Ріжуче полотно має обертатись приблизно паралельно до поверхні скошування.
- Лезо виробу гостре. будьте вкрай обережні та здійсніть зборку, заміну запчастин, чищення чи перевірку затягування болтів у захисних рукавицях.
- Ніколи не експлуатуйте виріб, якщо вимикач живлення на кермі не вмикає та вимикає виріб належним чином.
- Ніколи не намагайтесь заблокувати перемикач в увімкненому положенні, це вкрай небезпечно.
- Не тисніть на пристрій Він буде працювати краще і безпечніше при швидкості, для якої він був розроблений.
- Зупиніть роботу леза при перетинанні ділянок, вкритих гравієм.
- Уникайте ям, вибоїн, пагорбів, каменів, жердин, або інших скритих об'єктів. Використання на неровному ландшафті може спричинити падіння.
- Завжди слідкуйте, щоб дрід від контрольний кабель двигуна ніколи не захоплювався, не защемлювався або не пошкоджувався іншим способом під час збирання або складання ручки.
- Тривале використання інструменту може призвести до травмування або загострення існуючої травми. При використанні приладу протягом тривалого періоду часу, часті перерви.



## ДОДАТКОВІ ПОПЕРЕДЖЕННЯ З ТЕХНІКИ БЕЗПЕКИ ЩОДО ВИКОРИСТАННЯ АКУМУЛЯТОРІВ

- Для запобігання небезпеці пожежі в результаті короткого замикання, травмам і пошкодженню виробів не занурюйте інструмент, змінний акумулятор або зарядний пристрій у рідину і не допускайте потрапляння рідини всередину пристрою або акумуляторів. Корозійні і струмопровідні рідини, такі як солоний розчин, певні хімікати, вибілювальні засоби або продукти, що їх містять, можуть призвести до короткого замикання.
- Не викидайте акумулятори разом з побутовими відходами. Їх потрібно збирати окремо і утилізувати безпечним для навколишнього середовища способом. За консультацією по утилізації пристрою слід звернутися до органу місцевої влади або до дилера.

## ХАРАКТЕРИСТИКИ ПРИСТРОЮ

### ЗАХИСТ ВІД ПЕРЕВАНТАЖЕННЯ І ПЕРЕГРІВУ

Пристрій оздоблений засобом захисту від перевантаження. Пристрій автоматично вимикається, якщо наявне перевантаження. Якщо спрацює пристрій захисту від перенавантаження, важіль вмикання/вимикання слід відпустити. Натисніть на важіль вмикання/вимикання, потім натисніть на кнопку "Пуск", щоб перезапустити пристрій. Якщо пристрій досі не працює, витягніть та знову вставте акумулятор.

Акумулятор має захист від перегріву. Підвищення температури може призвести до зупинення живлення продукту від акумулятора. Якщо акумулятор занадто теплий, перш ніж відновити роботу, дайте йому охолонути. Якщо продукт все ще не працює, замініть акумулятор.

**ПРИМІТКА:** СВД акумулятора не працюватиме, якщо функція захисту батареї викликала зупинку живлення продукту. Вимкніть пристрій або вийміть акумуляторну батарею з пристрою, і світлодіодний індикатор відновить свою роботу.

## ТЕЛЕСКОПІЧНА РУЧКА

Пристрій оснащений телескопічною ручкою, яка регулюється для зберігання та керування. Телескопічну ручку слід витягнути у положення 1 або 2 при налаштуванні пристрою перед використанням. Ручка має бути зафіксованою важелем фіксації та швидкоз'ємним кріпленням. При вертикальному зберіганні ручка має бути зафіксованою.

## ДВА ГНІЗДА ДЛЯ АКУМУЛЯТОРІВ

Виріб може працювати від одного або двох акумуляторів. При використанні двох акумуляторів збільшується струм, підвищується потужність і зростає час безперервної роботи.

## ЗАГАЛЬНІ ПОРАДИ ЩОДО КОСОВИЦІ

Час роботи акумулятора залежить від стану, висоти та густоти трави.

Відрегулюйте висоту обрізання газнокосарки відповідно до поточного стану ділянки, яку Ви збираєтесь обробляти.

- Для забезпечення оптимальної продуктивності завжди зрізайте третину або менше від загальної висоти трави.
- При зрізанні високої трави переміщуйтеся повільніше, щоб забезпечити ефективне скошування та належне видалення скошеної трави.
- Акумулятор працює довше при більшій висоті скошування.

## ТРАНСПОРТУВАННЯ ТА ЗБЕРІГАННЯ

- Зупиніть двигун, демонтуйте рукоятку та акумулятор. Переконайтеся, що всі рухомі частини зупинилися. Зупиніть двигун і дайте йому охолонути перед зберіганням або транспортуванням.
- Почистіть всі сторонні матеріали з продукту. Зберігайте продукт в прохолодному, сухому і добре провітрюваному місці, недоступному для дітей. Зберігати подалі від агресивних агентів, таких як садові хімікати і солей проти обледеніння. Не зберігайте пристрій на відкритому повітрі.
- При транспортуванні пристрою у транспортних засобах, вийміть ключ для блокування та забезпечте надійне закріплення пристрою для запобігання його руху або падіння, травмування людей, пошкодження самого пристрою, або втрати палива.

- При нахиланні або підніманні виробу для технічного обслуговування, чищення, зберігання або транспортування будьте дуже обережними. Лезо гостре. Коли лезо оголене, тримайте частини тіла подалі від нього.

## ПЕРЕВЕЗЕННЯ ЛІТІЄВИХ БАТАРЕЙ

Здійснюйте транспортування акумуляторної батареї відповідно до місцевих та загальнодержавних норм і правил.

Дотримуйтеся всі спеціальні вимоги до упаковки і маркування при транспортуванні батареї третьою стороною. Переконайтеся, що під час транспортування акумулятор не вступає в контакт з іншими акумуляторними батареями або струмопровідними матеріалами та захистіть відкриті роз'єми ізоляційними непровідними кришками або стрічкою. Чи не переносьте акумулятори, тріснуті або бігу. Зв'язатися з нами для отримання подальших рекомендацій.

## ТЕХНІЧНЕ ОБСЛУГОВУВАННЯ

- Використовуйте тільки оригінальні запасні частини, аксесуари та обладнання від виробника. Невиконання цієї вимоги може привести до можливої травми, поганій продуктивності та може призвести до втрати гарантії.
- Обслуговування вимагає крайньої обережності і знання і повинно бути виконане тільки кваліфікованим фахівцем. Звертайтеся тільки до авторизованого сервісного центру.
- Зупиніть двигун, демонтуйте рукоятку та акумулятор. Переконайтеся, що всі рухомі частини повністю зупинились перед очищенням або технічним обслуговуванням пристрою.
- Замініть зношені або пошкоджені деталі.
- Регулярно перевіряйте травозбірник на наявність зносу, дірок або пошкоджень.
- Перевірте всі гайки, болти і гвинти після короткого проміжка часу на правильну герметичність, щоб забезпечити продукт у безпечному робочому стані.
- Під час налаштування інструмента слідкуйте, щоб пальці не потрапили між лезами, що обертаються, та нерухомими частинами інструмента.
- Під час обслуговування ножів пам'ятайте, що навіть якщо джерело живлення

вимкнено, ножі все ще можуть рухатися.

- Ви можете зробити регулювання та ремонт, описані в цьому посібнику користувача. Для обслуговування або ремонту, звертайтеся тільки до авторизованого сервісного центру.
- Після кожного використання, очищуйте пластикові частини м'якою сухою тканиною. Будь-яка пошкоджена деталь, має бути правильно відремонтована або замінена в авторизованому сервісному центрі.
- Лезо виробу гостре. будьте вкрай обережні та здійснюйте зборку, заміну запчастин, чищення чи перевірку затягування болтів у захисних рукавицях.
- Болти леза мають бути затягнуті належним чином. Дивіться рекомендації виробника щодо крутного моменту болта леза, який може бути знайдений в таблиці специфікацій пристрою у цьому керуванні з технічного обслуговування.

## ВИДАЛЕННЯМ ПЕРЕШКОД

- Зупиніть двигун, демонтуйте рукоятку та акумулятор. Переконайтеся, що всі рухомі частини зупинилися.
- Завжди носіть важкі захисні рукавички при перевірці і очищенні засмічення. Леза гострі та їх блокування може бути спричинене гострим предметом.
- Зніміть травозбірник. Огляньте та ретельно очистіть збирач трави, видаліть усі сторонні предмети.
- Перевірте жолоб викидання трави на закупорення та обережно очистіть.
- Поверніть пристрій на бік. Переверніть пристрій, перевірте зону навколо леза. Ретельно очистіть від усіх накопичень. Пам'ятайте лезо може рухатись під час очищення.

## ЗНАЙ СВІЙ ПРОДУКТ

Дивіться сторінку 163.

1. Панель інтерфейсу
2. Кнопка запуску
3. Важіль вмикання / вимикання
4. Телескопічна ручка
5. Інструкція з експлуатації
6. Ручка важеля фіксування
7. Ключ запалення
8. Індикатор заповненого коробу для трави

9. Регулювання висоти різання
10. Швидкознімна клямка
11. Травоповловач
12. Дверцята відсіку батареї
13. Заднє колесо
14. Переднє колесо
15. Заглушка для мульчування
16. Акумуляторна батарея
17. Зарядний пристрій

### СИМВОЛИ НА ПРОДУКТІ



Перед використанням пристрою прочитайте та зрозумійте всі інструкції. Дотримуйтесь всіх попереджень та інструкцій з безпеки використання.



Одягайте засоби для захисту слуху.



Одягайте захисні окуляри



Забороняється експлуатувати виріб на схилах з кутом нахилу більше 15°. При скошуванні на схилах переміщуйте косарку вздовж поверхні схилу, а не вгору-вниз.



Не піддавайте впливу дощу або вогкому стану.



Пам'ятайте, що леза - дуже гострі. Леза продовжують обертатися після того, як двигун вимкнено. Перш ніж проводити технічне обслуговування, видаліть ключ ізольовану.



Остерігайтеся кинутих або літаючих об'єктів. Сторонні особи, діти та хатні тварини повинні знаходитися не ближче 15 м від робочої зони.



Пуск



Стоп



Не викидати відпрацьовані електричні прилади разом із побутовими відходами. Утилізувати у спеціально призначених закладах. За консультацією по утилізації приладу зверніться до органу місцевої влади або дилера



Європейський знак відповідності



Британський знак відповідності



Євразійська знак відповідності.



Український знак відповідності



Гарантований рівень звукової потужності.



Положення 1 на телескопічній ручці



Положення 2 на телескопічній ручці

### СИМВОЛИ В ЦЬОМУ ПОСІБНИКУ



Запчастини та аксесуари, що продаються окремо



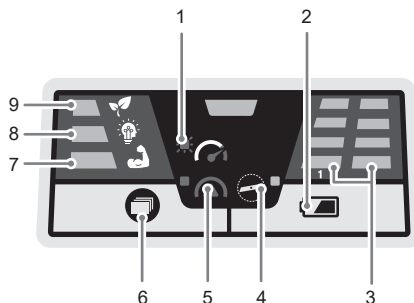
ПРИМІТКА



Попередження

### ОГЛЯД ПАНЕЛІ ІНТЕРФЕЙСУ

На панелі інтерфейсу відображається статус і поточний стан виробу.



1. Високе навантаження - показує, що навантаження занадто високе для наявного струму, і виріб може заглухнути. Перейдіть на силовий режим, збільште висоту зрізання або зменшіть швидкість руху.
2. Кнопка стану зарядки акумулятора: при натисканні живлення надходить на індикатор рівня зарядки акумулятора.
3. Індикатор рівня зарядки акумулятора - показує заряд, що залишився в акумуляторі.
  - Якщо горить лише один світлодіодний індикатор, рівень зарядки акумулятора нижче 25%.
  - Якщо горять два світлодіодні індикатори, рівень зарядки акумулятора знаходиться між 25% і 50%.
  - Якщо горять три світлодіодні індикатори, рівень зарядки акумулятора знаходиться між 50% і 75%.
  - Якщо горять чотири світлодіодні індикатори, акумулятор повністю заряджений. Ємність акумуляторної батареї складає 75%-100%.
4. Сигнальний індикатор перевірки ножів - сигналізує про необхідність перевірки ножів. Щоби пристрій залишався в гарному робочому стані, замініть тупі ножі.
5. Індикатор перевантаження - сигналізує, що пристрій перевантажений, і ніж може застрягти.
6. Кнопка режиму: при натисканні змінюється режим зрізання.
7. Силовий режим - показує, що на пристрої встановлена висока швидкість ножа для зрізання густої трави.
8. Режим "смарт" - косарка здатна обирати швидкість ножа у відповідності до навантаження на виріб при звичайному скошуванні.
9. Екорезим - показує, що на пристрої встановлена низька швидкість ножа для зрізання негустої трави.

Kablosuz çim biçme makinesinin tasarımında en yüksek önceliği güvenlik, performans ve güvenilirliğe verdik.

### KULLANIM AMACI

Kablosuz çim biçme makinesi yalnızca dış mekanlarda kullanılmalıdır.

Ürün ev çimlerinin biçilmesi için tasarlanmıştır. Ürün, yaya kontrollü, elle itilmek üzere tasarlanmış bir arkadan itmeli çim biçme makinesidir.

Ürün asla tekerlekleri toprağa değmez halde çalıştırılmamalıdır. Çekilmemeli ya da üzerine binilmemelidir.

Başka herhangi bir amaçla kullanmayın.

### GENEL GÜVENLİK UYARILARI

- Lütfen bu talimatları daha sonra kullanmak üzere güvenli bir yerde saklayın.
- Ürün sadece bu kılavuzda belirtilen pil paketleriyle çalıştırılmalıdır. Pille çalışan ürünler kullanıldığında, yangın, pil sızıntısı ve kişisel yaralanma risklerini azaltmak için her an temel güvenlik önlemleri alınmalıdır.

### KİŞİSEL GÜVENLİK

- Çocuklar ya da kısıtlı fiziksel, duyuşsal ya da zihinsel becerilere sahip ya da bu talimatlara aşına olmayan kişilerin ürünü çalıştırma, temizleme ya da bakım yapmasına asla izin vermeyin. Yerel yönetmelikler kullanıcının yaşına kısıtlama getirebilir. Ürünle oynamadıklarından emin olmak için çocuklara uygun şekilde nezaret edilmelidir.
- Ürünün kontrollerini ve nasıl doğru şekilde kullanılacağını öğrenin.
- Ağır, uzun pantolon, uzun kollu kıyafetler ve kaymaz ayakkabı giyin. Kısa pantolon ve sandalet kullanmayın, yalınayak çalışmayın. Üzerinize bol olan veya iplerin veya bağcıkların sarktığı kıyafetler giymekten kaçının.
- Ürünü yamaçlarda yukarı veya aşağıya doğru değil, yamaç boyunca kullanın. Eğimler üzerinde yön değiştirirken çok dikkatli olun. Yere sağlam basın ve dengede durun. Yürüyün, hiçbir zaman koşmayın.
- Ürünü çukurların, hendeklerin, çok dik eğimlerin ya da setlerin yakınında kullanmayın.
- Daima koruyucu gözlük takın.

- Ürün el ve ayakları kesebilir, cisimler fırlatabilir. Güvenlik talimatlarına tamamen uyulmaması ciddi yaralanmalara veya ölüme neden olabilir.
- Tetikte olun, yaptığınız işi izleyin ve ürünü kullanırken sağduyunuzu kullanın. Ürünü hiçbir zaman yorgunken, hastayken veya alkol, uyuşturucu veya ilaç etkisi altındayken kullanmayın. Ürünü kullanırken konsantrasyon eksikliği ciddi kişisel yaralanmaya yol açabilir.

### ÇALIŞMA ALANI GÜVENLİĞİ

- Bıçakla temas eden nesnelere fırlama tehlikesi olduğundan 15 metre civarınızda kişiler, özellikle çocuklar ve evcil hayvanlar varsa ürünü hiçbir zaman kullanmayın.
- Ürünü gün ışığında ya da iyi yapay aydınlatmayla kullanın.
- Makineyi ıslak çim üzerinde veya yağmurda kullanmayın.
- Kazalardan ve diğer insanlara veya mallarına zarar verebilecek tehlikelerden kullanıcının sorumlu olduğunu unutmayın.
- Çim biçme makinesinin bıçağına çarpan nesnelere ciddi fiziksel yaralanmalara neden olabilir. Makinenin kullanılacağı alanı iyice inceleyin ve tüm kayaları, tahta parçalarını, metalleri, kemikleri, oyuncakları veya diğer yabancı nesnelere temizleyin. İp ya da kablonun kesme araçlarına dolanabileceğini unutmayın.
- Ürünü alev alabilen sıvı, gaz ya da tozun bulunduğu patlayıcı atmosferlerde kullanmayın. Ürün doz ya da dumana yol açan kıvılcımlar üretir.
- Gök gürültülü fırtına ya da şimşek çakması olasılığı olduğunda ürünü kullanmayın.
- Eğer kullanıcı çocuklara karşı tetikte olmazsa trajik kazalar meydana gelebilir. Makine ve çim biçme faaliyeti genellikle çocukların ilgisini çeker. Hiçbir zaman çocukların onları en son gördüğünüz yerde kalacağını varsaymayın.
- Görüşünüzü engelleyebilecek kör köşeler, çalılar, ağaçlar ya da asılı çalılar dahil diğer nesnelere yaklaşırken ekstra dikkatli olun.

### PILLİ ALET KULLANIMI VE BAKIMI

- Piliniz ve şarj cihazınız ile birlikte temin edilen emniyet talimatlarını okuyun, anlayın ve her zaman uygulayın. Aksi halde elektrik çarpması, yangın ya da diğer tehlikeli

durumlarla karşı karşıya kalabilirsiniz. Daha sonra ulaşabilmeniz için tüm talimatları birlikte emniyetli bir yerde saklayın.

- Bataryalı aletlerin elektrik prizine takılması gerekmez; dolayısıyla her zaman çalışır durumdadırlar. Ürünü kullanmadığınız zamanlarda yalıtkan anahtarını çıkarın.
- Herhangi bir ayarlama, temizlik işleminden ya da üründen materyal çıkartmadan önce pil paketini çıkarın.
- Pil paketini takmadan önce yalıtkan anahtarının çıkarıldığından emin olun.
- Pil paketi yalnızca üreticinin belirttiği şarj cihazı ile tekrar şarj edilmelidir. Pil paketi ile uyumlu olmayan şarj cihazı kullanımı yangın riskine yol açabilir. Batarya takımını sadece önerilen şarj cihazı ile birlikte kullanın.
- Yalnızca özellikle ürün için üretilmiş pil paketi kullanın. Farklı pil paketlerinin kullanımı yangın, elektrik çarpması ya da kişilerin yaralanması riskine yol açabilir.
- Pil takımı kullanılmadığı zaman ataş, bozuk para, anahtar, çivi, vida ve diğer metal nesnelere gibi bir terminalden diğerine bağlantı oluşturabilecek diğer metal nesnelere uzak tutun. Pil paketi kutuplarının temas etmesi kıvılcım, yanık, yangın ya da patlamaya neden olabilir.
- Bataryalı aletleri veya bataryalarını ateş veya ısı kaynağının yakınına koymayın. Bu durum patlama ve olası yaralanma riskini artırır.
- Pil paketini açmayın ya da tahrip etmeyin. Ortaya çıkan elektrolit aşındırıcıdır ve göz ya da cilde zarar verebilir. Yutulduğunda zehirli olabilir.
- Pil paketini nem ve sudan uzak tutun. Ürünü nemli ya da ıslak bir yerde şarj etmeyin. Bu kurala uymak elektrik çarpması riskini azaltır.
- Pil hasar gördüğünde ya da uygunsuz kullanıldığında, buhar yayılabilir. Şikayet ortaya çıkması durumunda temiz hava sağlayın ve tıbbi yardım isteyin. Buhar solunum sistemini rahatsız edebilir.
- Pil paketini sıcak ya da soğuk durumlarda araç içinde bırakmayın.
- Pili yakmayın.
- Kötü koşullarda pilden sıvı boşalabilir; temas etmekten kaçının. Eğer kazara temas ederseniz temas eden yeri suyla yıkayın. Eğer sıvı gözlerinize temas ederse ek olarak tıbbi yardım alın. Pilden boşalan sıvı tahrişe veya yanıklara neden olabilir.

## ÇİM BİÇME MAKİNESİ GÜVENLİK UYARILARI

- Bıçakların, bıçak civatalarının ve kesici grubunun aşınmadığından ve hasar görmediğinden emin olmak için ürünü her zaman görsel olarak inceleyin. Eskimiş ya da hasar görmüş bıçak ve civataları balans bozulmaması için setler halinde değiştirin.
- Zarar görmüş veya okunmaz durumdaki etiketleri değiştirmek için yetkili bir servis merkezine gönderin.
- Mutlaka gerekmedikçe, ürünü geriye doğru çekmeyin. Makineyi bir duvardan veya engelden geriye doğru çekip uzaklaştırmanız gerekirse makinenin ayağınızın üzerine devrilmesini veya üzerinden geçmesini önlemek için önce aşağı ve geriye doğru bakın.
- Çimden başka yüzeylerden geçerken, ürünün taşınmak için eğilmesi gerekiyorsa veya ürün çalışma alanına götürülüyor ya da oradan getiriliyorsa, bıçağın durması için ürünü kapatın.
- Ürünü bozuk muhafaza ya da kalkanlar ile ya da deflektörler ve çim yakalayıcılar gibi emniyet cihazları yerinde olmadan asla kullanmayın.
- Motoru çalıştırırken ya da motor çalışırken ürünü yana yatırmayın. Kesinlikle gerekliyse başlatmayı kolaylaştırmak için çim biçme makinesinin önünü en fazla 5 cm kaldırabilirsiniz. Bunun için gidonu aşağıya doğru bastırın. Kesim işlemine başlamadan önce her zaman çim biçme makinesini dört tekerleği de zeminde olacak şekilde normal konumuna alın. Çim biçme makinesi eğildiğinde bıçak görünür olur ve nesnelere fırlaması ve bıçakla kazara temas olasılığı artar.
- Ot tahliye ağızının önünde dururken ürünü çalıştırmayın.
- Ürün, operatör emniyet bölgesinde, ürün tutacaklarının arkasındayken çalıştırılmalıdır. Aşağıdaki durumlarda ürünü asla çalıştırmayın:
  - Ot tahliye ağızı açıktadır ve çim kutusu ya da ot tahliye ağızı kapağı ile korunmamaktadır
  - tüm kişilerin el ve ayakları kesme kutusundan uzakta değilse

- Talimatları dikkatlice takip ederek ürünü çalıştırın ve el ve ayaklarınızı bıçaklardan uzak tutun. El ve ayakları döner parçaların altına koymayın. Boşaltma ağınıza daima temiz tutun.
- Ürünü çalıştırırken asla kaldırmayın ya da taşımayın.
- Ürünü durdurun, izolatör anahtarını ve pili çıkarın. Tüm hareketli parçaların tamamen durduğundan emin olun:
  - ürünü tek başına her bıraktığınızda (biçilen çimlerinizi boşaltırken de)
  - bir tıkanıklığı temizlerken ya da boşaltma kanalındaki tıkanıklığı açarken
  - ürünü kontrol etme, temizleme ve ürün üzerinde çalışmadan önce
  - çim yakalayıcıyı çıkarmadan ya da çim atma kanalı kapağını açmadan önce
  - yabancı bir nesneye çarptıktan sonra; cihazı hasara karşı inceleyin ve makineyi yeniden çalıştırmadan ve kullanmadan önce gerekli onarımları yapın.
  - eğer ürünler anormal şekilde titremeye başlarsa (derhal inceleyin)
    - özellikle bıçaklardaki hasarları incelerken
    - tüm hasarlı parçaları değiştirin veya onarın
    - Herhangi bir gevşek parçaya karşı kontrol edin ve sıkın
- Kesme bıçağı yaklaşık olarak üzerinden geçilen yere paralel şekilde dönmelidir.
- Ürün üzerindeki bıçak keskindir. Bıçağı takarken, değiştirirken, temizler ya da civataların sağlamlığını kontrol ederken ağır iş eldivenleri kullanın.
- Tutacak üzerindeki açma kapama düğmesi ürünü düzgün şekilde çalıştırıp durdurmuyorsa ürünü asla kullanmayın.
- Açma kapama düğmesini asla sabitlemeye çalışmayın, bu çok tehlikelidir.
- Ürünü zorlamayın. Tasarlandığı hızda çalışmayı daha iyi ve daha güvenli bir şekilde yapacaktır.
- Asfalt kaplı yüzeylere geldiğinizde bıçağı durdurun.
- Deliklerden, oluklardan, tümseklerden, kayalardan, temel kazıklarından veya diğer gizli nesnelere kaçınınız. Düz olmayan araziler kayma ve düşme kazalarına neden olabilir.

- Her zaman motor kontrol kablosunun montaj esnasında veya tutacağı katlarken takılmadığından ya da sıkışmadığından emin olun.
- Ürünün uzun süre kullanılması nedeniyle yaralanmalar meydana gelebilir veya kötüleşebilir. Herhangi bir alet uzun süre kullanıldığında düzenli molalar verdiğinizden emin olun.

### PİL İÇİN EK GÜVENLİK UYARILARI

- Bir kısa devreden kaynaklanan yangın, yaralanma veya ürün hasarları tehlikesini önlemek için aleti, güç paketini veya şarj cihazını asla sıvıların içine daldırmayınız ve cihazların ve pillerin içine sıvı girmesini önleyiniz. Tuzlu su, belirli kimyasallar, ağartıcı madde veya ağartıcı madde içeren ürünler gibi korozif veya iletken sıvılar kısa devreye neden olabilir.
- Pillerini ev çöpleriyle birlikte atmayın. Ayrı bir şekilde toplanmalı ve çevreye duyarlı bir geri dönüşüm tesisine teslim edilmelidir. Geri dönüşüm tavsiyesi ve toplama noktası bilgisi için yerel yetkililer ya da perakendeciniz ile iletişime geçin.

### ÜRÜN ÖZELLİKLERİ

#### AŞIRI YÜK VE AŞIRI ISINMA KORUMASI

Ürün bir aşırı yük koruması cihazına sahiptir. Aşırı yüklemeye belirlendiğinde ürün otomatik olarak kapanacaktır. Aşırı yük koruması çalışmaya başlarsa açma/kapama kolu bırakılmalıdır. Ürünü yeniden çalıştırmak için başlat düğmesine basın ve açma/kapama kolunu sıkın. Ürün hala çalışmıyorsa, pil paketini yeniden takın.

Pil paketi aşırı ısınma koruması. Aşırı sıcaklıklar bataryanın alete güç sağlamayı kesmesine neden olur. Pil takımı çok sıcaksa çalıştırmaya devam etmeden önce soğumasını bekleyin. Eğer alet hâlâ çalışmıyorsa bataryayı şarj edin.

**NOT:** Eğer bataryanın alete güç sağlamasını kesmesine batarya koruma özelliği neden olmuşsa batarya takımı gösterge LED'i çalışmaz. Ürün kapatın veya pil takımını üründen çıkarın ve pil takımı LED göstergesi normal çalışmasına devam edecektir.

## TELESKOPIK TUTAMAK

Üründe depolama ve kullanım esnasında ayarlanabilen teleskopik bir tutamak bulunmaktadır. Ürün kullanım için ayarlandığında teleskopik tutamağın pozisyon 1 veya 2'ye açılması gereklidir. Kulpun kulp kilit kolu ve hızlı bırakma sabitleyici tarafından sabitlendiğinden emin olun. Dikey saklama sırasında kulpun kilitli olduğundan emin olun.

## İKİ PİL YUVASI

Ürün bir veya iki pil paketi kullanarak çalışabilir. İki pil paketi daha yüksek bir akım yayar ve daha yüksek güç sağlar ve çalışma süresini uzatır.

## GENEL ÇİM BIÇME İPUÇLARI

Pilin çalışma süresi çimin durumu, uzunluğu ve yoğunluğuna bağlıdır.

Biçilecek çimin mevcut durumuna uyacak şekilde çim biçme makinesinin yüksekliğini ayarlayın.

- En iyi performans için her zaman toplam çim yüksekliğinin üçte biri veya daha az uzunlukta kesim yapın.
- Uzun çimleri keserken daha etkili kesim yapmak ve kırıntıların doğru şekilde boşaltılmasını sağlamak için yürüyüş hızınızı azaltın.
- Yüksek kesme yüksekliği ile pilin çalışma süresi uzun olacaktır.

## TAŞIMA VE DEPOLAMA

- Ürünü durdurun, izolatör anahtarını ve pili çıkarın. Tüm hareketli parçaların tamamen durduğundan emin olun. Depolamadan ya da bir taşımadan önce ürünün soğuması için zaman tanıyın.
- Üründeki tüm yabancı maddeleri temizleyin. Çocukların erişemeyeceği serin, kuru ve iyi havalandırılan bir yerde depolayın. Bahçe kimyasalları ve buz çözücü tuzlar gibi korozif maddelerden uzak tutun. Ürünü açık havada depolamayın.
- Araç içerisinde taşınacaksa izolatör anahtarını çıkarın ve kişilere ve ürüne zarar gelmemesi ya da yakıt dökülmemesi için ürünü hareket ettirmeyecek ya da düşmeyecek şekilde sabitleyin.
- Makineyi balım, temizlik, depolama veya taşıma amacıyla kaldırırken veya yatırırken çok dikkatli olun. Bıçak keskindir. Bıçak açıktayken tüm uzuvlarınızı bıçaktan uzak tutun.

## LİTYUM BATARYALARIN TAŞINMASI

Bataryayı yerel ve ulusal hükümlere ve yönetmeliklere uygun şekilde taşıyın.

Bataryalar üçüncü bir şahıs tarafından taşındığında ambalaj ve etiket üzerindeki tüm özel koşullara uyun. Açıktaki konnektörleri yalıtkan, iletken olmayan başlıklar veya bant ile koruyarak hiçbir bataryanın taşıma sırasında diğer bataryalarla veya iletken malzemelerle temas etmediğinden emin olun. Çatlak veya sızdıran bataryaları taşımayın. Ek tavsiye için nakliye şirketi ile birlikte kontrol edin.

## BAKIM

- Sadece orijinal üreticinin yedek parçalarını, aksesuarlarını ve ek parçalarını kullanın. Aksine davranış olası yaralanmaya yol açabilir, yetersiz performansa neden olabilir ve garantinizin geçersiz olmasıyla sonuçlanabilir.
- Servis çalışması en yüksek düzeyde dikkat ve bilgi gerektirir ve sadece nitelikli bir servis teknisyeni tarafından yapılmalıdır. Ürünün servis işlemlerini sadece yetkili bir servis merkezinde yaptırın.
- Ürünü durdurun, izolatör anahtarını ve pili çıkarın. Temizlik ya da bakım işlemine başlamadan önce hareketli tüm parçaların tamamen durduğundan emin olun.
- Güvenliğiniz için, aşınmış veya hasarlı parçaları değiştirin.
- Çim toplama sepetini aşınmaya veya şekil bozulmasına karşı sık sık kontrol edin.
- Ürünün güvenli çalışma durumunda olduğundan emin olmak için tüm somunların, civataların ve vidaların doğru sıklıkta sık aralıklarla takıldığını kontrol edin.
- Parmaklarınızın hareketli bıçaklar ve makinenin sabit parçaları arasına sıkışmasını önlemek için makine üzerinde ayar yaparken dikkatli olun.
- Bıçaklara bakım yaparken, güç kaynağının kapalı olmasına rağmen bıçakların yine de döndürülebileceğini unutmayın.
- Sadece bu kılavuzda açıklandığı şekilde ayar veya onarım yapabilirsiniz. Ürün üzerinde yapılacak diğer onarımları sadece yetkili bir servis merkezinde yaptırın.
- Her kullanımdan sonra plastik parçaları yumuşak, kuru bir bezle temizleyin. Hasarlı her tür parça yetkili servis merkezi tarafından uygun şekilde onarılmalı veya değiştirilmelidir.



- Ürün üzerindeki bıçak keskindir. Bıçağı takarken, değiştirirken, temizler ya da cıvataların sağlamlığını kontrol ederken ağır iş eldivenleri kullanın.
- Bıçak cıvatalarının yeterli şekilde sıkılması gerekir. Bıçak cıvatası torku için bu kılavuzun ürün spesifikasyonları tablosunda bulabileceğini üreticinin tavsiye ettiği değerlere bakın.

### TIKANIKLIKLARIN GIDERİLMESİ

- Ürünü durdurun, izolatör anahtarını ve pili çıkarın. Tüm hareketli parçaların tamamen durduğundan emin olun.
- Tıkanıklığı kontrol ederken ve giderirken her zaman ağır işe uygun koruyucu eldiven takın. Bıçaklar keskindir ve tıkanıklığa neden olan keskin bir cisim olabilir.
- Çim toplama sepetini çıkartın. Çim yakalayıcıyı çıkarın ve engel olup olmadığını kontrol edip dikkatlice temizleyin.
- Çim atma kanalını kontrol edin ve tıkanıklık varsa temizleyin.
- Ürünü yan yatırın. Altını ve bıçağın etrafındaki alanı kontrol edin. Tıkanıklık varsa dikkatlice gidirin. Temizlik esnasında bıçağın hareket edebileceğini unutmayın.

### ÜRÜNÜNÜZÜ TANIYIN

Bkz. sayfa 163.

1. Arayüz paneli
2. Başlatma butonu
3. Açma/kapama kolu
4. Teleskopik tutamak
5. Kullanım kılavuzu
6. Tutamak kilidi kolu
7. Yalıtım anahtarı
8. Çim kutusu dolu göstergesi
9. Kesme yüksekliği ayar kolu
10. Hızlı bırakma sabitleyici
11. Çim toplama sepeti
12. Pil kapağı
13. Arka tekerlek
14. Ön tekerlek
15. Malçlama tapası
16. Pili
17. Şarj cihazı

### ÜRÜN ÜZERİNDEKİ SEMBOLLER



Ürünü çalıştırmadan önce bütün talimatları okuyup anlayın. Tüm uyarı ve güvenlik talimatlarına uyun.



Kulak tıkacı takın.



Koruyucu gözlük takın.



Ürünü 15°den büyük eğimi olan yerlerde kullanmayın. Çimleri eğim yüzeyine paralel şekilde biçin, hiçbir zaman yukarı veya aşağı doğru biçmeyin.



Ürünü yağmura veya nemli koşullara maruz bırakmayın.



Keskin bıçaklara dikkat edin. Bıçaklar motor devreden çıktıktan sonra da dönmeyi sürdürür. Bakım öncesinde yalıtım anahtarını çıkarın



Fırlayan ve sıçrayan nesnelere dikkat edin. Üçüncü şahısları, özellikle çocukları ve evcil hayvanları çalışma alanından en az 15m uzakta tutun.



Git



Durdurmak



Atık elektrikli ürünler evsel atıklarla birlikte atılmamalıdır. Lütfen tesislerin mevcut olduğu yerlerde geri dönüştürün. Geri dönüşüm tavsiyesi için bölgenizdeki yetkili merciyeye veya satıcıya başvurun.



Avrupa Uyumluluk İşareti



Britanya Uyumluluk İşareti



EurAsian Uygunluk İşareti



Ukrayna Uyumluluk İşareti

001



Güvenceli ses gücü seviyesi



Teleskopik tutamak üzerinde  
Konum 1



Teleskopik tutamak üzerinde  
Konum 2

## BU KILAVUZDAKI SEMBOLLER



Ayrı satılan parçalar veya  
aksesuarlar



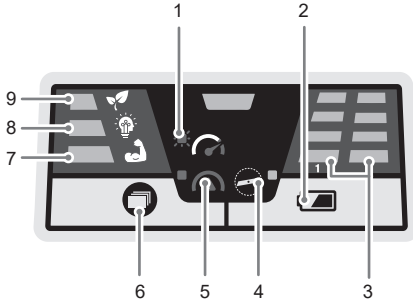
Not



Uyarı

## ARAYÜZ PANELINE GENEL BAKIŞ

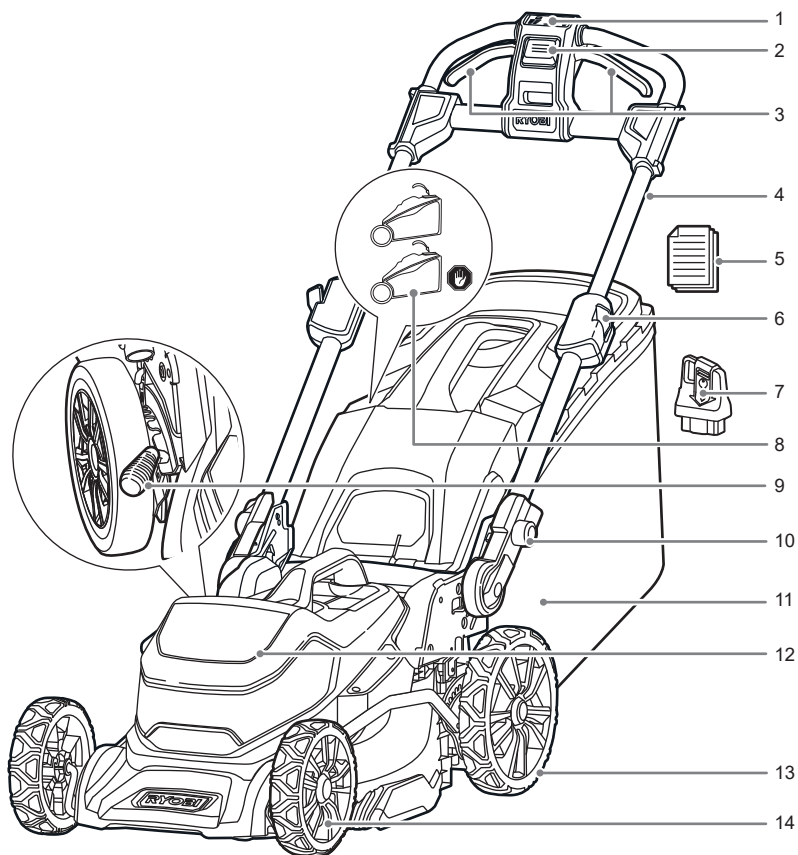
Arayüz paneli ürünün durumunu görüntüler.



1. Yüksek yük: Yükün mevcut ortam için çok fazla olduğunu ve ürünün durabileceğini belirtir. Güç moduna geçin, kesme yüksekliğini artırın veya yürüme hızını düşürün.
2. Pil şarj durumu düğmesi - basıldığında pil seviyesi göstergesini çalıştırır.
3. Pil seviyesi göstergesi: Pil takımlarının kalan şarj miktarını gösterir.
  - Yalnızca bir LED ışığı yanıyorsa pil takımı kapasitesi %25'in altındadır.
  - İki LED ışığı yanıyorsa pil takımı kapasitesi %25 ile %50 arasındadır.
  - Üç LED ışığı yanıyorsa pil takımı kapasitesi %50 ile %75 arasındadır.
  - Dört LED ışığı da yanıyorsa pil takımı tam şarj olmuştur. Batarya takımı kapasitesi %75-%100 arasındadır.

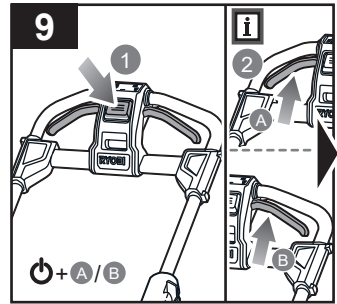
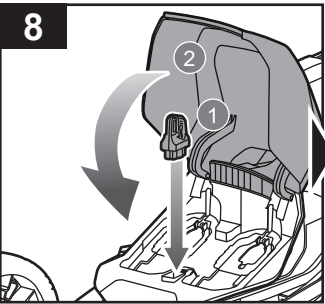
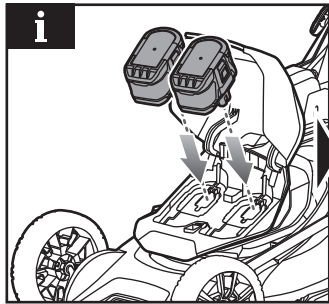
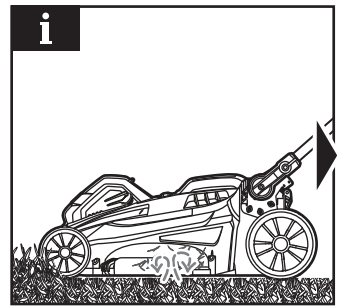
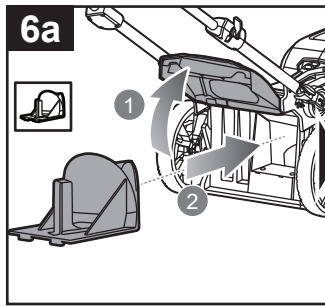
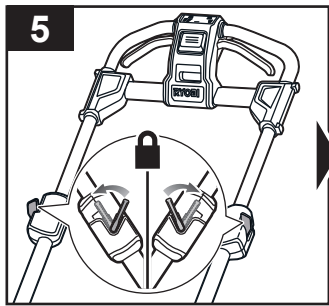
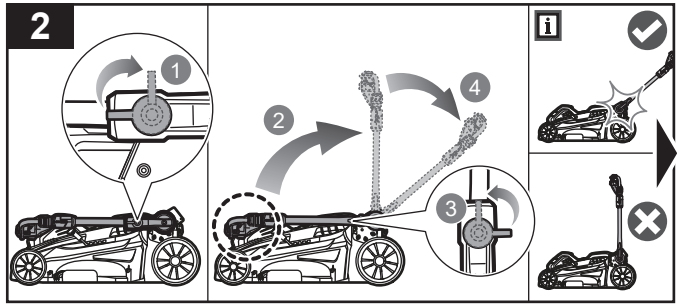
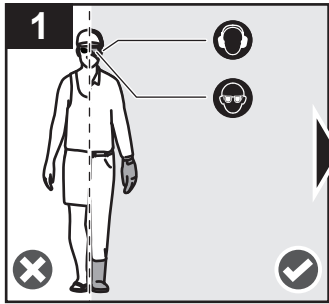
4. Bıçak kontrol göstergesi: Bıçağın kontrol edilmesi gerektiğini gösterir. Ürünü iyi ve çalışır durumda tutmak için körelmiş bıçağı değiştirin.
5. Aşırı yük göstergesi: Ürünün aşırı yüklü olduğunu ve bıçağın sıkışmış olabileceğini gösterir.
6. Mod düğmesi - basıldığında ürünün kesme modunu değiştirir.
7. Güç modu: bıçağın yoğun çim kesme için yüksek hızda olduğunu gösterir.
8. Akıllı mod: Çim biçme makinesinin yük ve genel kesme ürününe bağlı olarak bıçak hızını ayarlayabildiğini gösterir.
9. Eko modu: Bıçağın ince çim kesme için düşük hızda olduğunu gösterir.

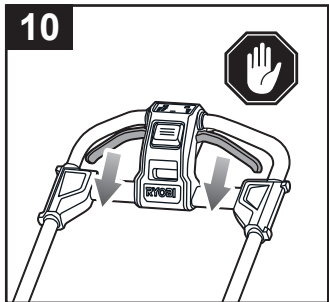
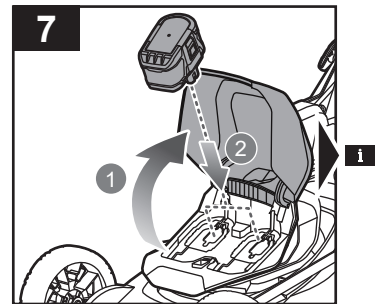
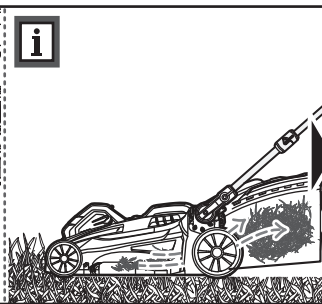
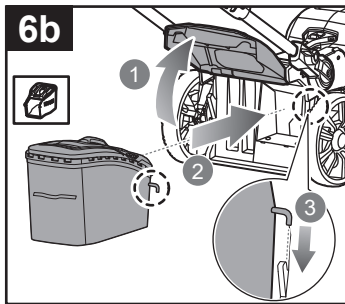
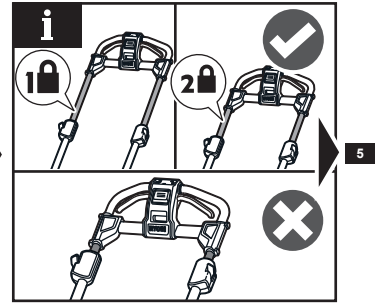
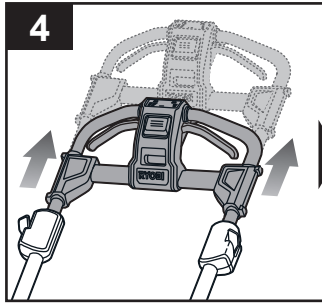
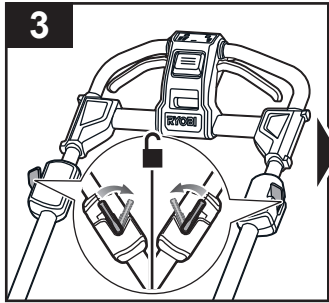
RY18LMX40B-0

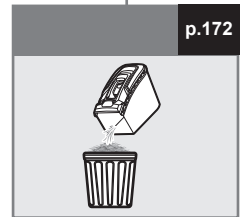
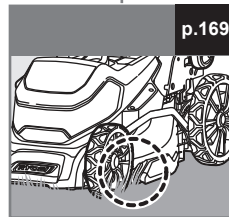
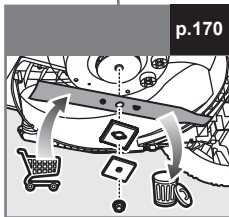
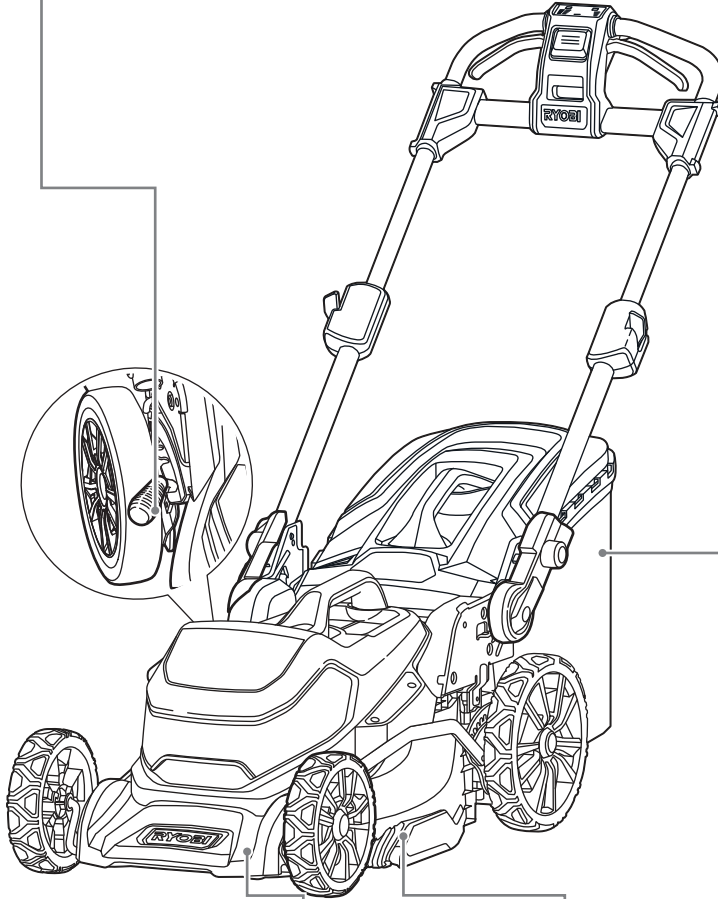
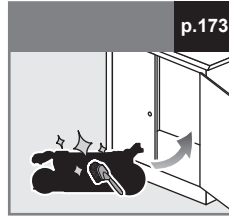
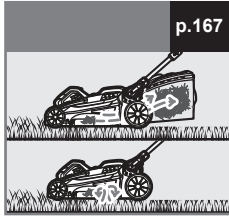
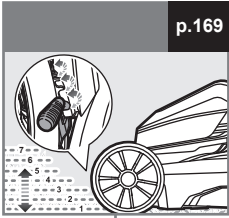


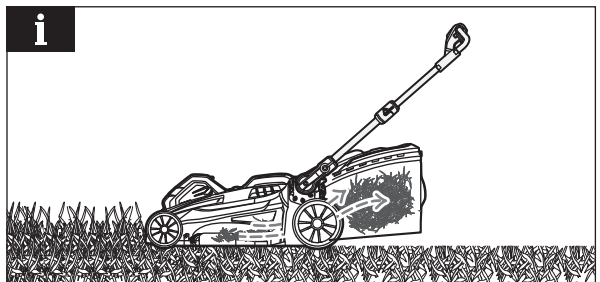
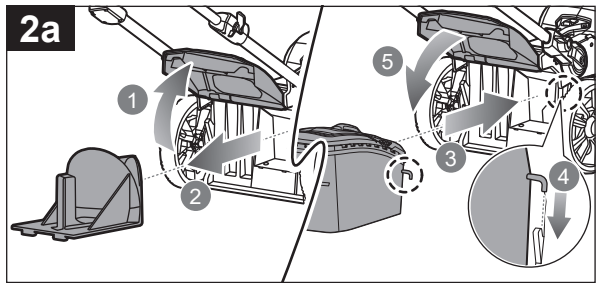
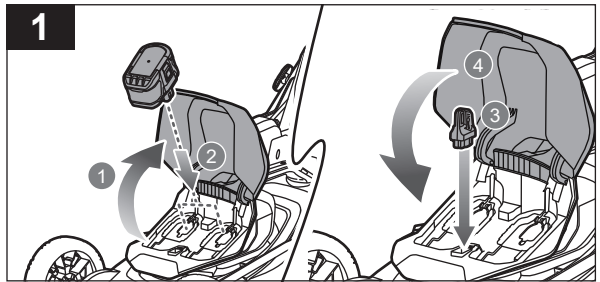
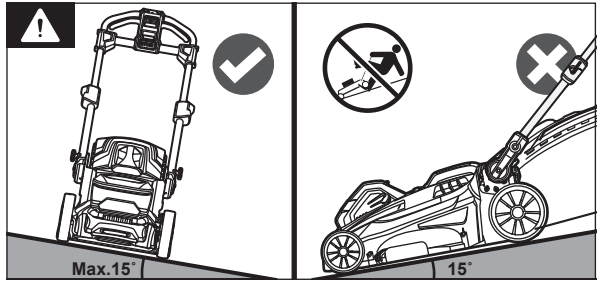
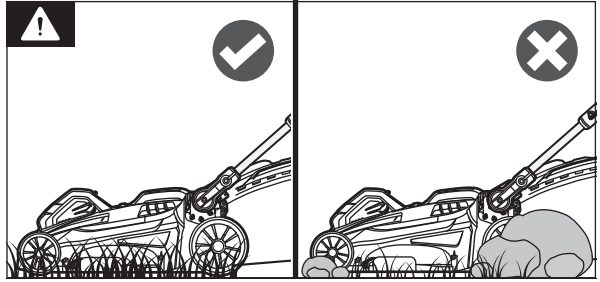
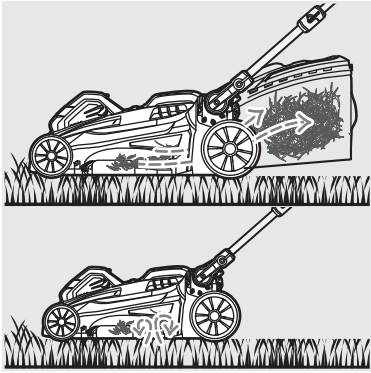
RY18LMX40B-150  
RY18LMX40B-240

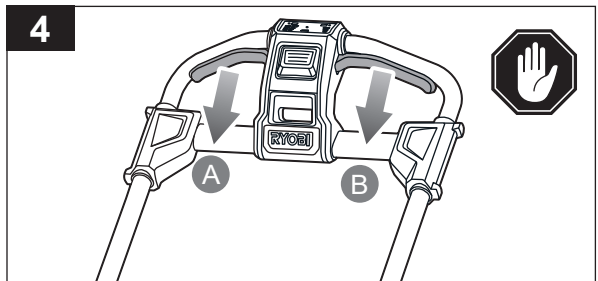
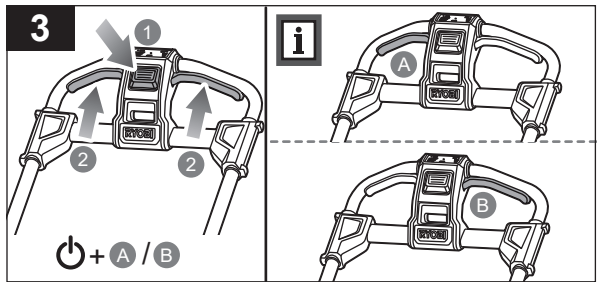
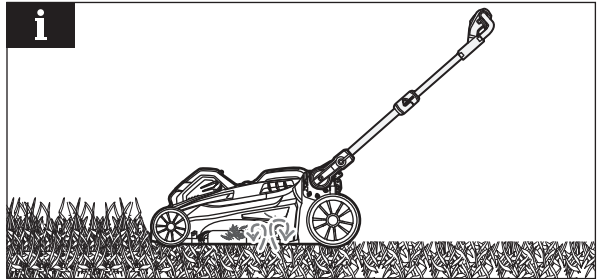
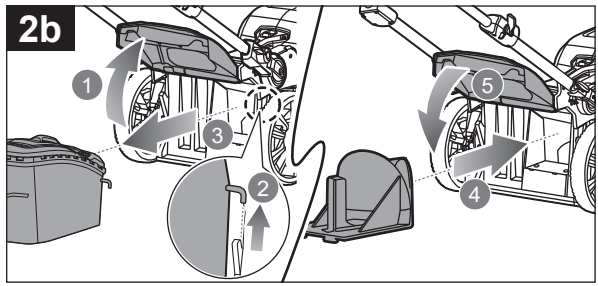




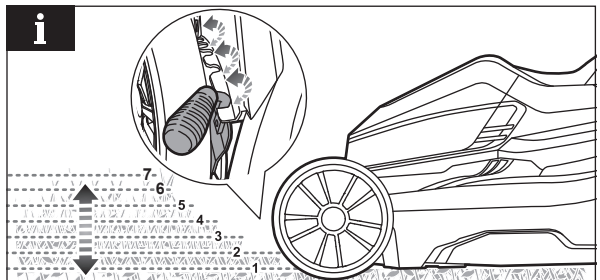
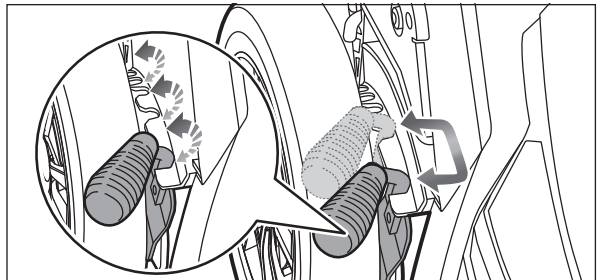
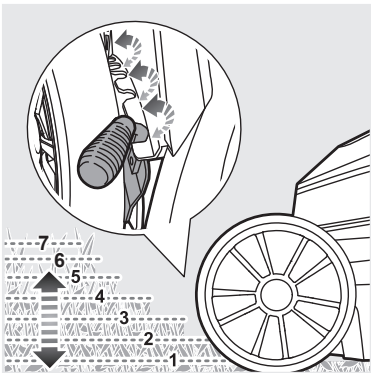
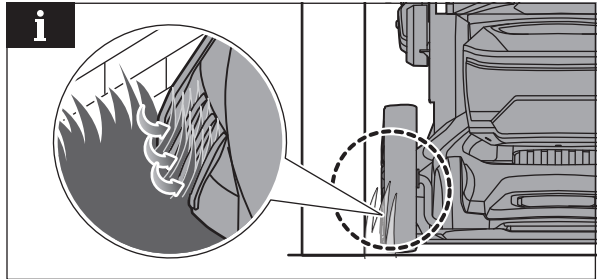
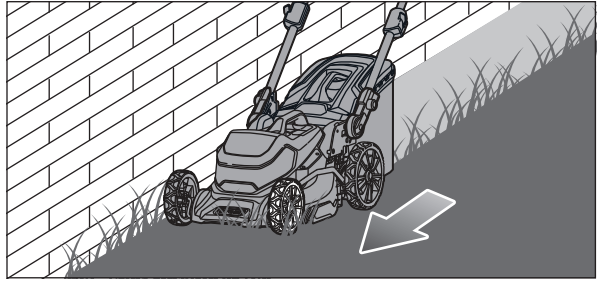
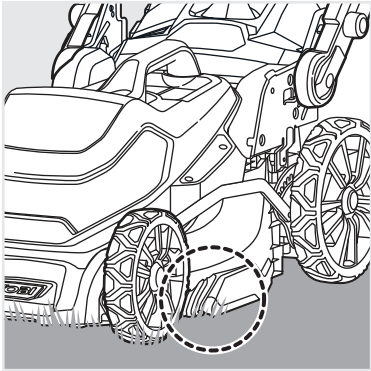


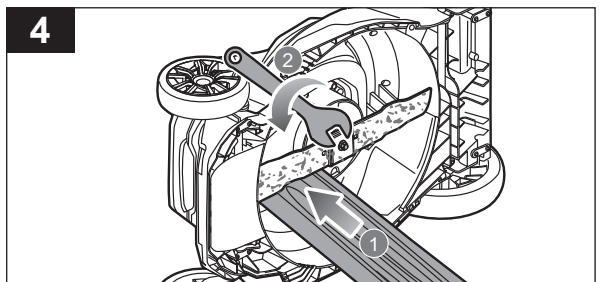
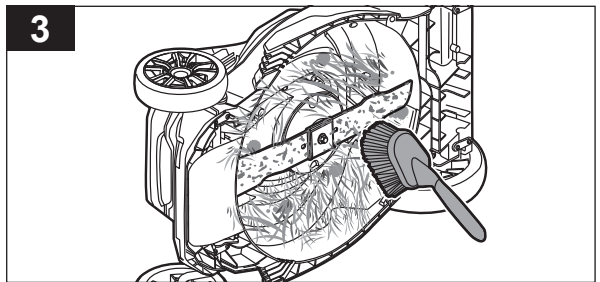
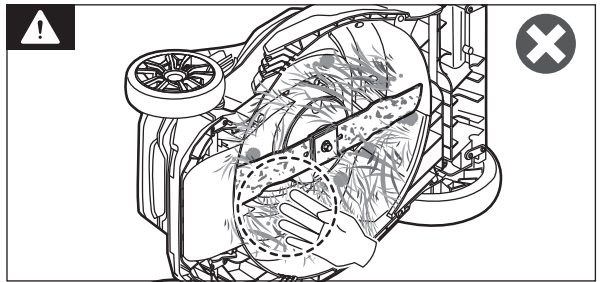
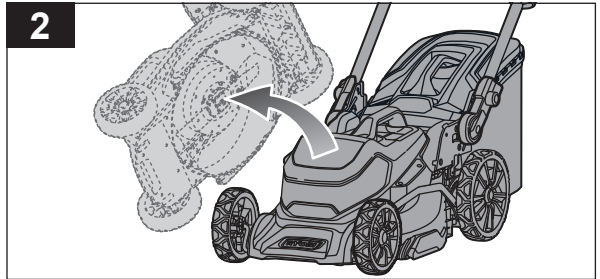
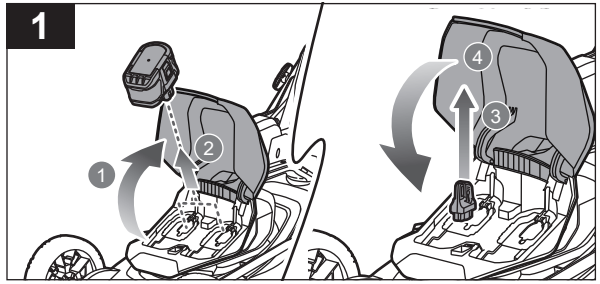
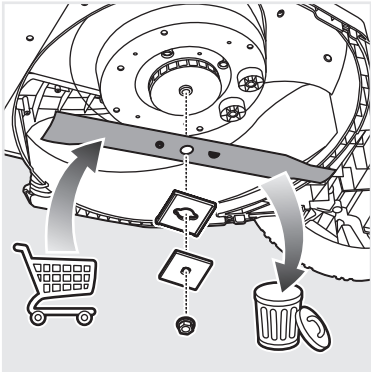


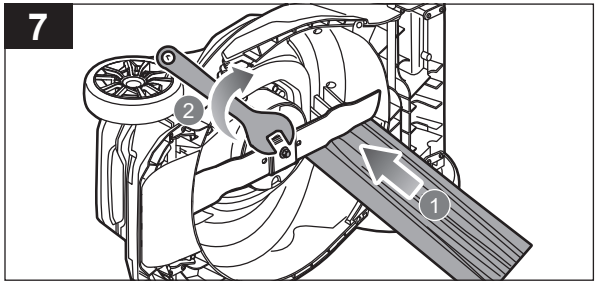
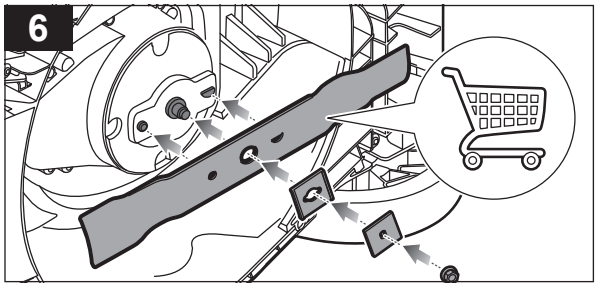
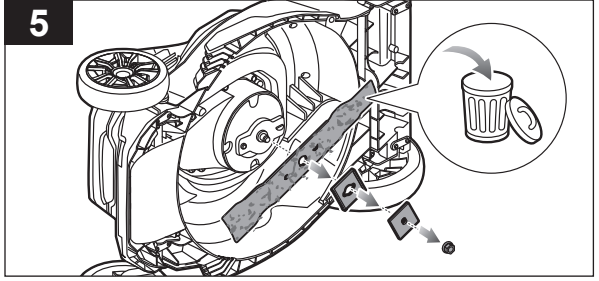


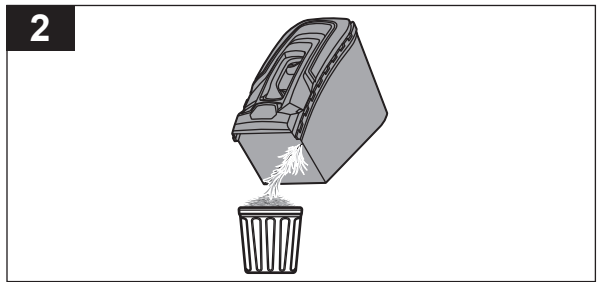
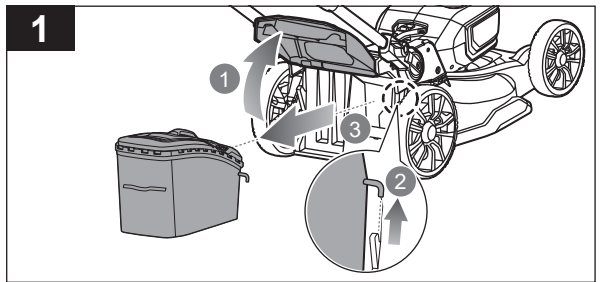
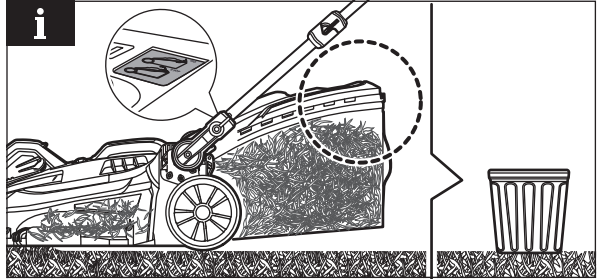
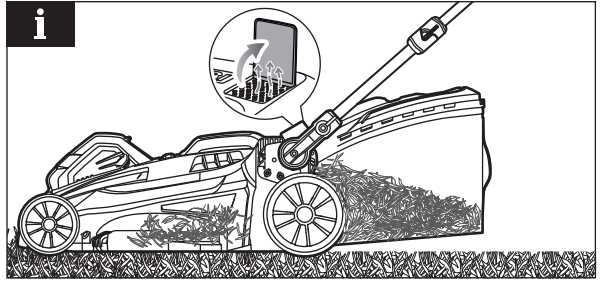
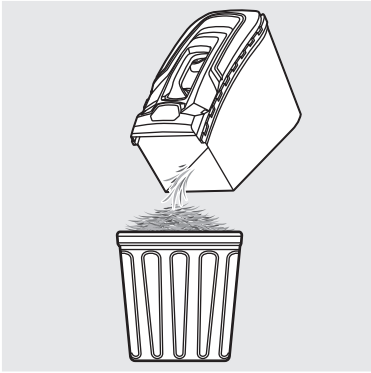


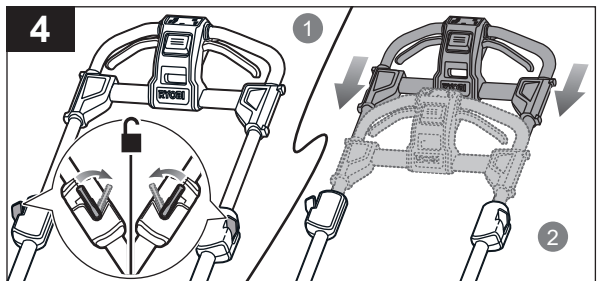
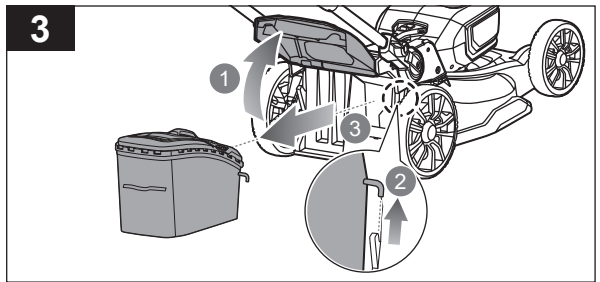
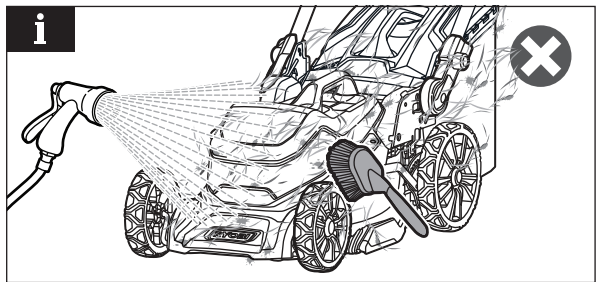
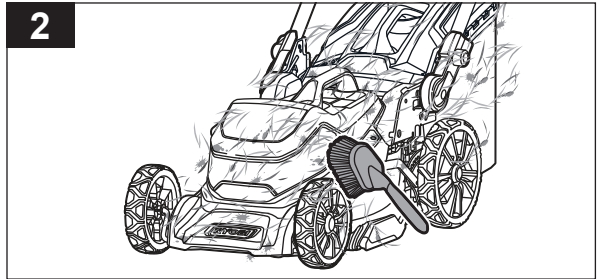
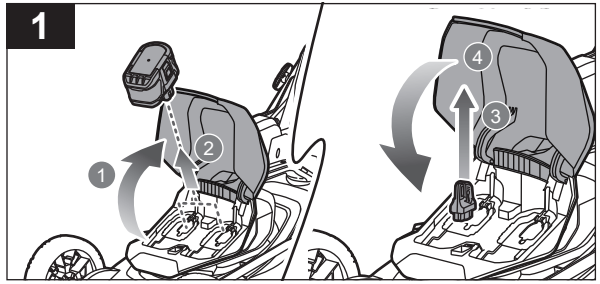
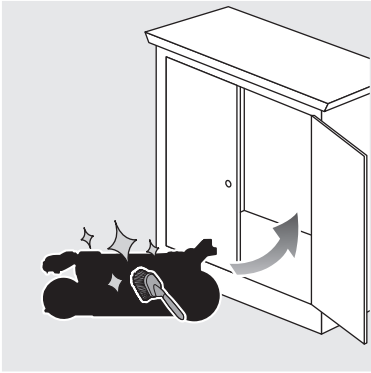


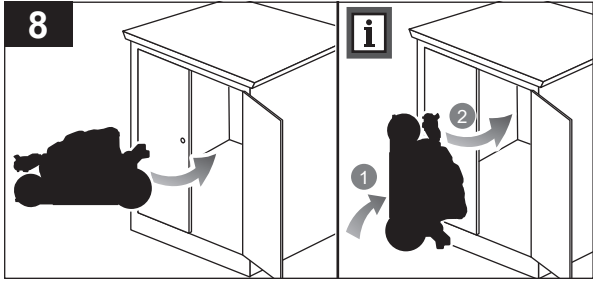
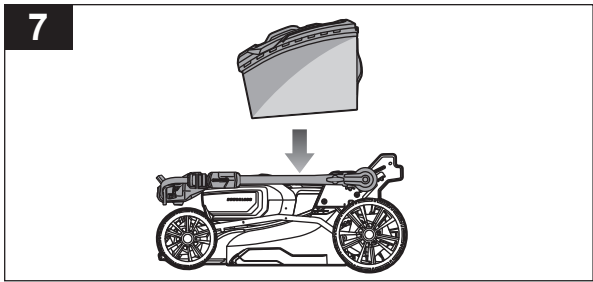
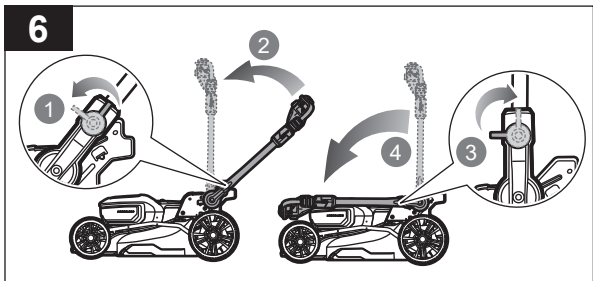
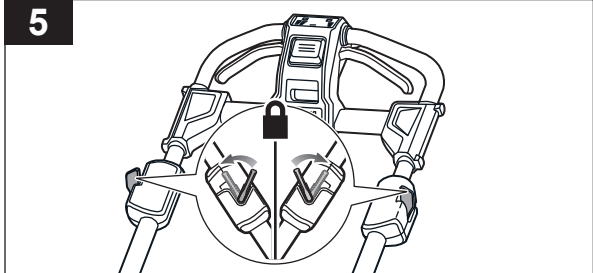
















English	Français	Deutsch	Español	Italiano
<b>Product specifications</b>	<b>Caractéristiques produit</b>	<b>Produkt-Spezifikationen</b>	<b>Características del producto</b>	<b>Caratteristiche del prodotto</b>
Cordless lawnmower	Tondeuse à Gazon Sans-fil	Akku-Rasenmäher	Cortacésped inalámbrico	Tosaerba senza cavo
Model	Modèle	Modell	Modelo	Modello
Rated voltage	Tension nominale	Nennspannung	Tensión nominal	Voltaggio nominale
Width of cut	Largeur de coupe	Schnittbreite	Anchura de fresado	Larghezza di fresatura
Height of cut	Hauteur de coupe	Schnitthöhe	Altura del corte	Altezza del taglio
No-load speed	Vitesse de rotation à vide	Leerlaufgeschwindigkeit	Velocidad sin carga	Velocità senza carico
Weight (without battery)	Poids (sans batterie)	Gewicht (ohne Akku)	Peso (sin la batería)	Peso (senza batterie)
Weight with heaviest battery pack	Poids (avec le pack de batterie le plus lourd)	Gewicht (mit dem schwersten Akkupack)	Peso (con el paquete de baterías más pesado)	Peso (con la batteria più pesante)
Grass catcher capacity	Capacité du bac de ramassage	Fassungsvermögen des Grasauffangbehälters	Capacidad colectora de césped	Capacità del contenitore di raccolta
Blade bolt torque	Couple de serrage du boulon de lame	Drehmoment der Messerschraube	Par de torsión de los pernos de la cuchilla	Coppia di serraggio del bullone della lama
Vibration level (in accordance with Annex FF of EN 60335-2-77)	Niveau de vibration (selon l'Annexe FF de la norme EN 60335-2-77)	Vibrationsgrad (gemäß Anhang FF von EN 60335-2-77)	Nivel de vibración (de acuerdo con el Anexo FF de EN 60335-2-77)	Livello vibrazioni (secondo quanto disposto dall'Allegato FF della Direttiva EN 60335-2-77)
Uncertainty of measurement	Incertitude de la mesure	Unsicherheit der Messung	Incertidumbre de medición	Incertezza delle misurazioni
Noise emission level (in accordance with Annex GG of EN 60335-2-77)	Niveau d'émission sonore pondéré A (selon l'Annexe GG de la norme EN 60335-2-77)	Geräuschemission (gemäß Anhang GG von EN 60335-2-77)	Nivel de emisión de ruido (de acuerdo con el Anexo GG de EN 60335-2-77)	Livello di emissione rumore (secondo quanto disposto dall'Allegato GG della Direttiva EN 60335-2-77)
A-Weighted sound pressure level at operator's position	Niveau de pression sonore pondéré A au niveau de l'opérateur	A-bewerteter Schalldruckpegel an der Position des Anwenders	Nivel de presión sonora ponderada A en la posición del operario	Livello di pressione sonora ponderata A alla posizione dell'operatore
Uncertainty of measurement	Incertitude de la mesure	Unsicherheit der Messung	Incertidumbre de medición	Incertezza delle misurazioni
A-Weighted sound power level	Niveau de puissance sonore pondéré A	A-bewerteter Schalleistungspegel	Nivel de potencia acústica ponderada en A	Livello di potenza sonora pesato A
Uncertainty of measurement	Incertitude de la mesure	Unsicherheit der Messung	Incertidumbre de medición	Incertezza delle misurazioni
$L_{\text{son}} + K_{\text{son}}$	$L_{\text{son}} + K_{\text{son}}$	$L_{\text{son}} + K_{\text{son}}$	$L_{\text{son}} + K_{\text{son}}$	$L_{\text{son}} + K_{\text{son}}$
<b>Battery and charger</b>	<b>Batterie et chargeur</b>	<b>Akku und Ladegerät</b>	<b>Bateria y cargador</b>	<b>Batteria e caricatore</b>
Model	Modèle	Modell	Modelo	Modello
Battery pack	Bloc de batterie	Akkupack	Bateria	Batteria
Charger	Chargeur	Ladegerät	Cargador	Caricatore
Compatible battery packs	Blocs des batterie compatibles	Kompatible Akkupacks	Paquetes de batería compatibles	Gruppo batterie compatibili
Compatible chargers	Chargeurs compatibles	Kompatible Ladegeräte	Cargador compatible	Caricatore compatibile
Model	Modèle	Modell	Modelo	Modello
Battery pack	Bloc de batterie	Akkupack	Bateria	Batteria
Charger	Chargeur	Ladegerät	Cargador	Caricatore
Compatible battery packs	Blocs des batterie compatibles	Kompatible Akkupacks	Paquetes de batería compatibles	Gruppo batterie compatibili
Compatible chargers	Chargeurs compatibles	Kompatible Ladegeräte	Cargador compatible	Caricatore compatibile
<b>Replacement Part</b>	<b>Pièces de rechange</b>	<b>Ersatzteile</b>	<b>Piezas de repuesto</b>	<b>Parti di ricambio</b>
Blade	Lame	Messer	Hoja	Lama







Nederlands	Português	Dansk	Svenska		
<b>Productgegevens</b>	<b>Características do aparelho</b>	<b>Produktspecifikationer</b>	<b>Produktspecifikationer</b>		
Snoerloze grasmaaier	Corta-relva sem fios	Ledningsfri plæneklipper	Sladdlös gräsklippare		
Model	Modelo	Model	Modell	RY18LMX40B	
Toegekende spanning	Tensão nominal	Mærkespænding	Spänning	18 V d.c.	
Freesbreedte	Largura de fresagem	Fræsebredde	Fråsbredd	40 cm	
Hoogte van de snede	Altura de corte	Klippehøjde	Klipphöjd	25-75 mm	
Snelheid zonder lading	Velocidade sem carga	Tomgangshastighed	Hastighet utan belastning	3600 /min max	
Gewicht (zonder batterij)	Peso (sem a bateria)	Vægt (uden batteri)	Vikt (utan batteri)	18,2 kg	
Gewicht (met de zwaarste accu)	Peso (com o conjunto de baterias mais pesado de todos)	Vægt (med det tungeste batteri)	Vikt (med tyngsta batterienhet)	18,62 kg	
Capaciteit grasvanger	Capacidade do saco de aparas	Græssamlerens kapacitet	Gråsuppsamlarens kapacitet	50 L	
Koppel voor mesbout	Binário de aperto do parafuso da lâmina	Moment for klingebolt	Åtdragningsmoment bladskruv	35-40 Nm	
Trillingsniveau (in overeenstemming met bijlage FF van EN 60335-2-77)	Nível de vibração (em conformidade com o Anexo FF de EN 60335-2-77)	Vibrationsniveau (iht. bilag FF til EN 60335-2-77)	Vibrationsnivå (enligt Annex FF i EN 60335-2-77)	$a_b = 1,2 \text{ m/s}^2$	
Onzekerheid bij meting	Incerteza de medições	Målingsusikkerhed	Osäkerhet för mätt	$K = 1,5 \text{ m/s}^2$	
Geluidsemissieniveau (in overeenstemming met bijlage GG van EN 60335-2-77)	Nível de emissão de ruído (em conformidade com o Anexo GG de EN 60335-2-77)	Støjemissionsniveau (iht. bilag GG til EN 60335-2-77)	Bullerutsläppsnivå (enligt Annex GG i EN 60335-2-77)		
A-gewogen geluidsdrukniveau bij positie van gebruiker	Nível de pressão sonora ponderada A na posição do operador	A-vægtet lydtryksniveau ved operatørens position	A-viktad ljudtrycksnivå vid operatörens plats	$L_{pA} = 80,3 \text{ dB(A)}$	
Onzekerheid bij meting	Incerteza de medições	Målingsusikkerhed	Osäkerhet för mätt	$K = 3,0 \text{ dB}$	
A-gewogen geluidsniveau	Nível de potência sonora ponderada A	A-vægtet lydeffektniveau	A-vägd ljudeffektnivå	$L_{wA} = 93,6 \text{ dB(A)}$	
Onzekerheid bij meting	Incerteza de medições	Målingsusikkerhed	Osäkerhet för mätt	$K = 1,8 \text{ dB}$	
$L_{wA} + K_{wA}$	$L_{wA} + K_{wA}$	$L_{wA} + K_{wA}$	$L_{wA} + K_{wA}$	96 dB(A)	
<b>Accu en oplader</b>	<b>Bateria e carregador</b>	<b>Batteri og oplader</b>	<b>Batteri och batteriladdare</b>		
Model	Modelo	Model	Modell	RY18LMX40B-150	RY18LMX40B-240
Accu	Bateria	Batteri	Batteri	5 Ah	4 Ah x 2
Lader	Carregador	Oplader	Batteriladdare	RC18120	RC18120
Compatibele accupacks	Baterias compatíveis	Kompatible batterier	Kompatibla batteripaket	RB18..	
Compatibele oplader	Carregador compatível	Kompatibel oplader	Kompatibel laddare	BCL1418.., RC18..	
Model	Modelo	Model	Modell	RY18LMX40B-0	
Accu	Bateria	Batteri	Batteri	-	
Lader	Carregador	Oplader	Batteriladdare	-	
Compatibele accupacks	Baterias compatíveis	Kompatible batterier	Kompatibla batteripaket	RB18..	
Compatibele oplader	Carregador compatível	Kompatibel oplader	Kompatibel laddare	BCL1418.., RC18..	
<b>Vervangonderdelen</b>	<b>Peças de substituição</b>	<b>Reserve dele</b>	<b>Utbytesdelar</b>		
Zaagblad	Lâmina	Klinge	Blad	RAC404 (639180003)	





Suomi	Norsk	Русский	Polski	Čeština
<b>Tuotteen tekniset tiedot</b>	<b>Produktspesifikasjoner</b>	<b>Характеристики изделия</b>	<b>Parametry techniczne</b>	<b>Technické údaje produktu</b>
Johdoton ruohonleikkuri	Kabelfri gressklipper	Беспроводная газонокосилка	Kosiarka bezprzewodowa	Akumulátorová sekačka trávy
Malli	Modell	Модель	Model	Model
Nimellisjännite	Nominell spenning	Номинальное напряжение	Napięcie znamionowe	Jmenovité napětí
Jyrsintäleveys	Fresebredde	Ширина фрезеровки	Szerokość frezowania	Šířka frézování
Leikkuukorkeus	Klippehøyde	Высота стрижки	Wysokość cięcia	Výška sečení
Nopeus ilman kuormaa	Tomgangshastighet	Холостая скорость	Prędkość obrotowa bez obciążenia	Rychlost naprázdno
Paino (ilman akku)	Vekt (uten batteri)	Вес (без батарей)	Masa (bez akumulatora)	Hmotnost (bez baterie)
Paino (painavimman akun kanssa)	Vekt (med det tyngste batteriet)	Вес (с самым тяжелым аккумуляторным блоком)	Masa (z najcięższym akumulatorem)	Hmotnost (s nejtěžšími bateriemi)
Ruohonkeräajan kapasiteetti	Oppsamlerens kapasitet	Объем травособиранья	Pojemność pojemnika na trawę	Kapacita sběrného koše
Teräpultin vääntömomentti	Dreimoment for knivbolten	Усилие затяжки фиксирующего болта лезвия	Moment dokręcania śruby noża	Utahovací moment šroubu nože
Tärinätao (standardin EN 60335-2-77 liitteen FF mukaisesti)	Vibrasjonsnivå (iht. tillegg FF i EN 60335-2-77)	Уровень вибрации (в соответствии с Приложением FF стандарта EN 60335-2-77)	Poziom wibracji (zgodnie z aneksem FF normy EN 60335-2-77)	Úroveň vibrací (v souladu s přílohou FF normy EN 60335-2-77)
Mittausten epätaarkkuus	Usikkerhet ved måling	Погрешность измерения	Niepewność pomiaru	Nejistota měření
Melutaso (standardin EN 60335-2-77 liitteen GG mukaisesti)	Støyetsnivå (iht. tillegg GG i EN 60335-2-77)	Уровень шума (в соответствии с Приложением GG стандарта EN 60335-2-77)	Poziom emisji hałasu (zgodnie z aneksem GG normy EN 60335-2-77)	Hladina emise hluku (v souladu s přílohou GG normy EN 60335-2-77)
A-painotettu käyttäjään kohdistuva äänenpainetaso	Støynivåvektning ved operatørens posisjon	Амплитудно-взвешенный уровень звукового давления в рабочем месте оператора	Poziom ciśnienia akustycznego (A) w miejscu operatora	Hladina akustického tlaku vážená funkcí A v poloze obsluhy
Mittausten epätaarkkuus	Usikkerhet ved måling	Погрешность измерения	Niepewność pomiaru	Nejistota měření
A-painotettu äänenteho	A-vektet lydteknisk nivå	Уровень А-взвешенной звуковой мощности	A-ważony poziom mocy akustycznej	Hladina akustického výkonu vážená funkcí A
Mittausten epätaarkkuus	Usikkerhet ved måling	Погрешность измерения	Niepewność pomiaru	Nejistota měření
$L_{WA} + K_{WA}$	$L_{WA} + K_{WA}$	$L_{WA} + K_{WA}$	$L_{WA} + K_{WA}$	$L_{WA} + K_{WA}$
<b>Akku ja laturi</b>	<b>Batteri og lader</b>	<b>Аккумуляторная батарея и зарядное устройство</b>	<b>Akumulator i ładowarka</b>	<b>Nabíječka a baterie</b>
Malli	Modell	Модель	Model	Model
Akku	Batteri	Аккумулятор	Akumulator	Baterie
Laturi	Lader	Зарядное устройство	Ładowarka	Nabíječka
Yhteensopivat akut	Kompatible batteripakker	Совместимая аккумуляторная батарея	Pasujące akumulatory	Kompatibilní akumulátory
Yhteensopiva laturi	Kompatibel lader	Совместимое зарядное устройство	Zgodna ładowarka	Kompatibilní nabíječka
Malli	Modell	Модель	Model	Model
Akku	Batteri	Аккумулятор	Akumulator	Baterie
Laturi	Lader	Зарядное устройство	Ładowarka	Nabíječka
Yhteensopivat akut	Kompatible batteripakker	Совместимая аккумуляторная батарея	Pasujące akumulatory	Kompatibilní akumulátory
Yhteensopiva laturi	Kompatibel lader	Совместимое зарядное устройство	Zgodna ładowarka	Kompatibilní nabíječka
<b>Varaosat</b>	<b>Erstatningsdeler</b>	<b>Запасные части</b>	<b>Części zamienne</b>	<b>Náhradní díly</b>
Terä	Blad	Пильное полотно	Ostrze	Nůž





Magyar	Română	Latviski	Lietuviškai		
<b>Termék műszaki adatai</b>	<b>Specificațiile produsului</b>	<b>Produkta specifikācijas</b>	<b>Gaminio techninės savybės</b>		
Akkumulátoros fűnyíró	Mașină de tuns gazonul fără cablu	Bezvady zāles plāvējs	Akumulatorinė vejapjovė		
Típus	Model	Modelis	Modelis	RY18LMX40B	
Névleges feszültség	Tensiunea nominală	Nominālais spriegums	Nomināli ītampa	18 V d.c.	
Marási szélesség	Lățime de frezare	Griezuma platums	Pjovimo plotis	40 cm	
Vágásmagasság	Înălțimea de tăiere	Griešanas augstums	Pjovimo aukštis	25-75 mm	
Üresjárati fordulatszám	Viteză fără sarcină	Tukšgaitas ātrums	Greitis be apkrovimo	3600 /min max	
Súly (akkumulátor nélkül)	Greutate (fără acumulator)	Svars (bez baterijas)	Svoris (be akumulatorinės baterijos)	18,2 kg	
Súly (a legnehezebb akkusomaggal)	Greutatea (cu cel mai greu acumulator)	Svars (ar smagāko akumulatoru bloku)	Svoris (su sunkiausiu akumulatorių bloku)	18,62 kg	
Fűfogó kapacitása	Capacitate colector iarbă	Zāles uztvērēja ietilpība	Žolės gaudyklės talpa	50 L	
Késcsavar nyomatéka	Cuplul bolțului de fixare a discului tăietor	Asmens skrūves novilkšanas spēks	Pelio varžto užveržimo jėga	35~40 Nm	
Vibrációs szint (az EN 60335-2-77 FF függeléke szerint)	Nivel de vibrație (în conformitate cu Anexa FF a EN 60335-2-77)	Vibrācijas līmenis (saskaņā ar direktīvas EN 60335-2-77 FF pielikumu)	Vibrācijas lygis (pagal EN 60335-2-77 standarto FF priedą)	$a_n = 1,2 \text{ m/s}^2$	
Mérés bizonytalansága	Nesiguranța măsurătorii	Mērījuma nenoteiktība	Matavimo paklaida	$K = 1,5 \text{ m/s}^2$	
Hangkibocsátási szint (az EN 60335-2-77 GG függeléke szerint)	Nivel emisie zgomot (în conformitate cu Anexa GG a EN 60335-2-77)	Trokšņu emisijas līmenis (saskaņā ar direktīvas EN 60335-2-77 GG pielikumu)	Skleidžiamo triukšmo lygis (pagal EN 60335-2-77 standarto GG priedą)		
A-súlyozott hangnyomásszint a kezelő helyén	Nivel presiune sunet greutate A la poziția operatorului	Lietotāja pozīcijā ir ar A novērtēts skaņas spiediena līmenis	A svorinis triukšmo slėgio lygis operatoriaus padėtyje	$L_{pA} = 80,3 \text{ dB(A)}$	
Mérés bizonytalansága	Nesiguranța măsurătorii	Mērījuma nenoteiktība	Matavimo paklaida	$K = 3,0 \text{ dB}$	
A-súlyozott hangteljesítményszint	Nivel de putere acustică ponderată A	A-līmeņa skaņas jaudas līmenis	A-svertinis akustinis lygis	$L_{wA} = 93,6 \text{ dB(A)}$	
Mérés bizonytalansága	Nesiguranța măsurătorii	Mērījuma nenoteiktība	Matavimo paklaida	$K = 1,8 \text{ dB}$	
$L_{wA} + K_{wA}$	$L_{wA} + K_{wA}$	$L_{wA} + K_{wA}$	$L_{wA} + K_{wA}$	96 dB(A)	
<b>Akkumulátor és töltő</b>	<b>Bateria și încărcătorul</b>	<b>Akumulators un lādētājs</b>	<b>Akumulatorius ir įkroviklis</b>		
Típus	Model	Modelis	Modelis	RY18LMX40B-150	RY18LMX40B-240
Akkumulátor	Acumulator	Akumulators	Baterija	5 Ah	4 Ah x 2
Töltő	Încărcător	Lādētājs	Įkroviklis	RC18120	RC18120
Kompatibilis akkumulátorok	Acumulatori compatibili	Savietojami akumulatoru komplekti	Suderinami baterijos paketai	RB18..	
Kompatibilis töltő	Încărcător compatibil	Saderīgs lādētājs	Suderinamas įkroviklis	BCL1418.., RC18..	
Típus	Model	Modelis	Modelis	RY18LMX40B-0	
Akkumulátor	Acumulator	Akumulators	Baterija	-	
Töltő	Încărcător	Lādētājs	Įkroviklis	-	
Kompatibilis akkumulátorok	Acumulatori compatibili	Savietojami akumulatoru komplekti	Suderinami baterijos paketai	RB18..	
Kompatibilis töltő	Încărcător compatibil	Saderīgs lādētājs	Suderinamas įkroviklis	BCL1418.., RC18..	
<b>Cserealkatrészek</b>	<b>Piese de schimb</b>	<b>Rezerves daļas</b>	<b>Atsarginės detalės</b>		
Kés	Lamă	Asmens	Geležinė	RAC404 (639180003)	



Eesti	Hrvatski	Slovenščina	Slovenčina
<b>Toote tehnilised andmed</b>	<b>Spesifikacije proizvoda</b>	<b>Spesifikacije izdelka</b>	<b>Špecifikácie produktu</b>
Akutoitega muruniiduk	Akumulatorska kosilica	Brezžična kosilnica	Akumulátorová kosačka
Mudel	Model	Model	Modelis
Nimipinge	Nazivni napon	Nazivna napetost	Menovité napätie
Lõikelaius	Širina glodanja	Širina reza	Šírka rezu
Lõikekõrgus	Visina rezanja	Višina rezanja	Výška strihania
Tühikäigukiirus	Brzina bez opterećenja	Hitrost neobremenjenega motorja	Rýchlosť naprázdno
Kaal (ilma akuta)	Težina (bez baterije)	Teža (brez baterije)	Hmotnosť (bez akumulátora)
Kaal (koos raskeima akuga)	Težina (s najtežom baterijom)	Teža (z najtežjim akumulatorjem)	Hmotnosť (s najťažšou súpravou batérií)
Murukoguja maht	Kapacitet hvatača trave	Zmogljivost iztresišča	Objem zberného koša
Lõiketera poldi pingutusmoment	Zatezni moment vijaka za pričvrščivanje noža	Navor vijaka za pritržitev rezila	Krútiaci moment skrutky noža
Vibratsioonitase (vastavalt standardi EN 60335-2-77 lisale FF)	Razina vibracija (u skladu s Dodatkom FF EN 60335-2-77)	Nivo vibracij (v skladu z dodatkom FF standarda EN 60335-2-77)	Úroveň vibrácií (v súlade s Dodatkom FF v EN 60335-2-77)
Mõõtmismääramatus	Neodređenost mjerenja	Negotovost meritve	Nespoľahlivosť meraní
Vibratsioonitase (vastavalt standardi EN 60335-2-77 lisale GG)	Razina emisija buke (u skladu s Dodatkom GG EN 60335-2-77)	Raven emisij hrupa (v skladu z dodatkom GG standarda EN 60335-2-77)	Úroveň emisii hluku (v súlade s Dodatkom GG v EN 60335-2-77)
A-kaalutud müraemissiooni rõhu tase operatori tőokohal	A-ponderirana razina zvučnog tlaka u položaju operatera	A-izmerjena raven zvočnega tlaka pri položaju upravljavca	Vážená A hladina akustického tlaku na pozícii obsluhujúcej osoby
Mõõtmismääramatus	Neodređenost mjerenja	Negotovost meritve	Nespoľahlivosť meraní
A-kaalutud helivõimsuse tase	Ponderirana razina zvučne snage	A-izmerjena raven zvočne moči	Vážená A hladina akustického výkonu
Mõõtmismääramatus	Neodređenost mjerenja	Negotovost meritve	Nespoľahlivosť meraní
$L_{WA} + K_{WA}$	$L_{WA} + K_{WA}$	$L_{WA} + K_{WA}$	$L_{WA} + K_{WA}$
<b>Aku ja laadija</b>	<b>Baterija i punjač</b>	<b>Baterija in polnilnik</b>	<b>Akumulátor a nabijačka</b>
Mudel	Model	Model	Modelis
Aku paketiga	Baterija	Akumulator	Batéria
Laadija	Punjač	Polnilec	Nabijačka
Ühilduvad akupaketid	Kompatibilna pakiranja baterija	Združljive baterije	Kompatibilné jednotky akumulátorov
Ühilduv laadija	Kompatibilni punjači	Združljiv polnillec	Kompatibilná nabijačka
Mudel	Model	Model	Modelis
Aku paketiga	Baterija	Akumulator	Batéria
Laadija	Punjač	Polnillec	Nabijačka
Ühilduvad akupaketid	Kompatibilna pakiranja baterija	Združljive baterije	Kompatibilné jednotky akumulátorov
Ühilduv laadija	Kompatibilni punjači	Združljiv polnillec	Kompatibilná nabijačka
<b>Asendusosad</b>	<b>Zamjena dijelova</b>	<b>Nadomestni deli</b>	<b>Náhradné diely</b>
Saeleht	Oštrica	Rezilo	Ostrie

България	українська мова	Türkçe		
Технически характеристики	Технічні характеристики пристрою	Ürün teknik özellikleri		
Безжична косачка	Бездротова газонокосарка	Kablosuz Çim Bıçme Makinesi		
Модел	Модель	Model	RY18LMX40B	
Номинален волтаж	Номинална напрегa	Nominal voltaj	18 V d.c.	
Ширина на рязане	Ширина косиня	Kesme genişliği	40 cm	
Височина на подрязване	Висота скошувания	Kesme yüksekliği	25-75 mm	
Скорост в ненатоварен режим	Швидкість без навантаження	Yüksüz hız	3600 /min max	
Тегло (без батерията)	Вага (без акумулатора)	Ağırlık (batarya hariç)	18,2 kg	
Тегло (с най-тежката батерия)	Вага (з найбільш важким акумулятором)	Ağırlık (en ağır pil paketiyle)	18,62 kg	
Обем на коша за трева	Ємність збирача трави	Çim yakaıayıcı kapasitesi	50 L	
Момент на затягане на болтовете на ножа	Крутий момент для затягування болта леза	Bıçak civata torku	35~40 Nm	
Ниво на вибрациите (в съответствие с приложение FF на EN 60335-2-77)	Рівень вібрації (відповідно до EN 60335-2-77 додаток FF)	Titreşim seviyesi (EN 60335-2-77, Ek FF uyarınca)	$a_h = 1,2 \text{ m/s}^2$	
Несигурност на измерването	Невизначеність вимірювання	Ölçüm bilinmiyor	$K = 1,5 \text{ m/s}^2$	
Ниво на шумовите емисии (в съответствие с приложение GG на EN 60335-2-77)	Рівень шуму (відповідно до EN 60335-2-77 додаток GG)	Gürültü emisyon seviyesi (EN 60335-2-77, Ek GG uyarınca)		
Равнище A на нивото на шумовото налягане на мястото на оператора.	Рівень звукового тиску за шкалою A для оператора пристрою	Kullanıcı pozisyonundaki A ağırlıklı ses basıncı seviyesi	$L_{pA} = 80,3 \text{ dB(A)}$	
Несигурност на измерването	Невизначеність вимірювання	Ölçüm bilinmiyor	$K = 3,0 \text{ dB}$	
Ниво на силата на шума с равнище A	A-зважений рівень звукової потужності	A ağırlıklı ses gücü seviyesi	$L_{wA} = 93,6 \text{ dB(A)}$	
Несигурност на измерването	Невизначеність вимірювання	Ölçüm bilinmiyor	$K = 1,8 \text{ dB}$	
$L_{wA} + K_{wA}$	$L_{wA} + K_{wA}$	$L_{wA} + K_{wA}$	96 dB(A)	
<b>Батерия и зарядно устройство</b>	<b>Акумулатор і зарядний пристрій</b>	<b>Pil ve şarj cihazı</b>		
Модел	Модель	Model	RY18LMX40B-150	RY18LMX40B-240
Батерия	Акумулаторна батерия	Pil	5 Ah	4 Ah x 2
Зарядно устройство	Зарядний пристрій	Şarj cihazı	RC18120	RC18120
Съвместими батерии	Сумісні акумулаторні блоки	Uyumlu pil takımları	RB18..	
Съвместимо зарядно устройство	Сумісний зарядний пристрій	Uyumlu şarj cihazı	BCL1418.., RC18..	
Модел	Модель	Model	RY18LMX40B-0	
Батерия	Акумулаторна батерия	Pil	-	
Зарядно устройство	Зарядний пристрій	Şarj cihazı	-	
Съвместими батерии	Сумісні акумулаторні блоки	Uyumlu pil takımları	RB18..	
Съвместимо зарядно устройство	Сумісний зарядний пристрій	Uyumlu şarj cihazı	BCL1418.., RC18..	
<b>Резервни части</b>	<b>Запасні частини</b>	<b>Yedek Parça</b>		
Острие	Лезо	Bıçak	RAC404 (639180003)	

EN

**⚠ WARNING**

The declared vibration total values and the declared noise emission values given in this instruction manual have been measured in accordance with a standardised test and may be used to compare one tool with another. They may be used for a preliminary assessment of exposure.

The declared vibration and noise emission values represent the main applications of the tool. However, if the tool is used for different applications, used with different accessories, or poorly maintained, the vibration and noise emission may differ. These conditions may significantly increase the exposure levels over the total working period. An estimation of the level of exposure to vibration and noise should take into account the times when the tool is turned off or when it is running idle. These conditions may significantly reduce the exposure level over the total working period.

Identify additional safety measures to protect the operator from the effects of vibration and noise, such as maintaining the tool and the accessories, keeping the hands warm (in case of vibration), and organising work patterns.

FR

**⚠ AVERTISSEMENT**

Le niveau total de vibrations et le niveau total d'émissions sonores déclarés indiqués dans ce manuel d'instruction ont été mesurés selon une méthode de test normalisée et peut servir de référence pour comparer les outils entre eux. Ils peuvent servir d'évaluation préliminaire à l'exposition.

Les niveaux d'émissions sonores et de vibrations déclarés représentent les principales applications de l'outil. Toutefois, si l'outil est utilisé pour des applications différentes ou des accessoires différents, ou s'il est mal entretenu, les vibrations émises peuvent varier. Ces facteurs pourraient augmenter considérablement les niveaux d'exposition sur la durée totale d'utilisation. Une estimation du niveau d'exposition aux vibrations et du bruit doit aussi prendre en compte les périodes durant lesquelles l'outil est éteint ou lorsqu'il fonctionne à vide. Ces facteurs pourraient réduire considérablement le niveau d'exposition sur la durée totale d'utilisation.

Identifiez toute mesure de sécurité supplémentaire à observer pour protéger l'opérateur des effets des vibrations et du bruit, comme l'entretien de l'outil et des accessoires, le maintien au chaud des mains (en cas de vibrations), et l'élaboration de schémas de pulvérisation.

DE

**⚠ WARNUNG**

Die in dieser Anleitung deklarierten Gesamtwerte der Schwingungsemission und die deklarierten Werte der Geräuschemission wurden gemäß einer standardisierten Testmethode gemessen und können verwendet werden, um Werkzeuge miteinander zu vergleichen. Sie können für eine vorläufige Beurteilung der Belastung verwendet werden.

Die deklarierten Werte für Schwingungs- und Geräuschemission treffen auf die Hauptanwendung des Werkzeugs zu. Wenn jedoch das Werkzeug für verschiedene Anwendungen oder mit unterschiedlichem Zubehör genutzt wird oder schlecht gewartet ist, kann die Schwingungs- und Geräuschemission variieren. Diese Bedingungen können das Belastungsniveau über die gesamte Arbeitszeit deutlich steigern. Eine Schätzung der Schwingungsbelastung sollte auch die Zeiten berücksichtigen, in denen das Werkzeug ausgeschaltet ist oder im Leerlauf läuft. Diese Bedingungen können das Belastungsniveau über die gesamte Arbeitszeit deutlich reduzieren.

Legen Sie zusätzliche Sicherheitsmaßnahmen fest, um den Bediener vor den Auswirkungen von Schwingung und Geräuschen zu schützen, z. B. Warten des Geräts und der Zubehörteile, Warmhalten der Hände (bei Schwingung) und Organisieren der Tätigkeiten.

ES

**⚠ ADVERTENCIA**

Los valores totales de emisión de vibración declarados y los valores de emisiones de ruido declarados que se indican en este manual de instrucciones se han calculado según lo establecido en una prueba estandarizada y se pueden utilizar para comparar una herramienta con otra. Se pueden utilizar para una evaluación preliminar de exposición.

Los valores declarados de emisión de vibración y ruido representan las aplicaciones principales de la herramienta. No obstante, si la herramienta se utiliza para diferentes aplicaciones, con distintos accesorios o con un mantenimiento deficiente, la emisión de vibración y ruido podría diferir. Estas condiciones podrían aumentar significativamente los niveles de exposición sobre el periodo de funcionamiento total. Una estimación del nivel de exposición a la vibración y el ruido debería también tenerse en cuenta cuando la herramienta está apagada o cuando funciona a baja intensidad. Estas condiciones podrían reducir significativamente el nivel de exposición sobre el periodo de funcionamiento total.

Identifique cualquier medida de protección adicional para proteger al operario de los efectos de la vibración y el ruido, como el mantenimiento de la herramienta y los accesorios, mantener las manos calientes (en caso de vibración) y la organización de los patrones de trabajo.

IT

**⚠ AVVERTENZE**

Il livello di emissioni di vibrazioni riportato in questa scheda informativa è stato misurato con un metodo di prova standardizzata ed è utilizzabile per confrontare gli utensili fra di loro. Questi possono essere usati per una valutazione preliminare dell'esposizione.

I valori di emissione di rumori e vibrazioni rappresentano le principali applicazioni dello strumento. Tuttavia, se l'utensile viene utilizzato in applicazioni differenti, con differenti accessori o con scarsa manutenzione, l'emissione di vibrazioni e rumori può essere diversa. Queste condizioni possono significativamente aumentare il livello di esposizione nel periodo di lavoro totale. Una stima del livello di esposizione alle vibrazioni e ai rumori va presa in considerazione anche quando l'utensile viene spento oppure è in funzione a folle. Queste condizioni possono significativamente ridurre il livello di esposizione nel periodo di lavoro totale.

Identificare le misure di sicurezza aggiuntive per proteggere l'operatore dagli effetti di vibrazioni e rumori, come la manutenzione di strumento e accessori, mantenendo le mani calde (in caso di vibrazione) e le modalità di lavoro.

NL

**⚠ WAARSCHUWING**

Het gespecificeerde totale trillingswaarden en geluidsemissiewaarden in deze instructiehandleiding zijn gemeten overeenkomstig een gestandaardiseerde test en kunnen worden gebruikt om gereedschappen met elkaar te vergelijken. Ze kunnen worden gebruikt voor een voorafgaande beoordeling van blootstelling.

De gespecificeerde trillings- en geluidsemissiewaarden vertegenwoordigen de belangrijkste toepassingen van het gereedschap. Als het gereedschap echter voor andere toepassingen of met andere accessoires wordt gebruikt slecht wordt onderhouden, kunnen de trillings- en geluidsemissiewaarden afwijken. Deze omstandigheden kunnen het blootstellingsniveau over de gehele gebruiksperiode aanzienlijk verhogen. Een schatting van het niveau van blootstelling aan trillingen en geluid dient ook rekening te houden met de perioden dat het gereedschap is uitgeschakeld of is ingeschakeld maar niet wordt gebruikt. Deze omstandigheden kunnen de blootstellingsniveaus over de gehele gebruiksperiode aanzienlijk verhogen.

Stel aanvullende veiligheidsmaatregelen vast om de gebruiker te beschermen tegen de effecten van trillingen en geluid, zoals onderhoud van het gereedschap en de accessoires, het warm houden van de handen (in geval van trillingen) en het organiseren van werkpatronen.

PT

**⚠ AVISO**

Os valores de vibração totais declarados e o nível de emissão de ruído dado nesta ficha de informações foi medido de acordo com um teste normalizado e pode ser utilizado para fazer comparações entre ferramentas. Podem ser utilizados para uma avaliação preliminar da exposição.

O nível declarado de emissão de vibrações e ruído representa as aplicações principais da ferramenta. Contudo, se a ferramenta for utilizada para várias aplicações, com diferentes acessórios ou se receber manutenção insuficiente, a emissão de vibrações e ruído pode ser diferente. Estas condições podem aumentar significativamente o nível de exposição ao longo do período total de trabalho. Uma estimativa do nível de exposição às vibrações e ruído deverá também levar em conta os tempos que a ferramenta está desligada ou que está a funcionar mas sem estar a ser utilizada para trabalho. Estas condições podem reduzir significativamente o nível de exposição ao longo do período total de trabalho.

Identifique medidas de segurança adicionais para proteger o operador dos efeitos da vibração e ruído, tal como a manutenção da ferramenta e dos acessórios, manter as mãos quentes (em caso de vibração) e organizar padrões de trabalho.

DA

**⚠ ADVARSEL**

Vibrations- og støjemissionsværdierne, der er angivet i denne vejledning er målt i overensstemmelse med en standardiseret test og kan bruges til at sammenligne et værktøj med et andet. De kan bruges til en foreløbig vurdering af udsættelse.

De angivne vibrations- og støjemissionsværdier repræsenterer værktøjets hovedanvendelser. Hvis værktøjet midlertidigt anvendes til andre formål med forskellig tilbehør eller er dårligt vedligeholdt, kan vibrations- og lydmissionen afvige. Disse forhold kan i væsentlig grad forøge udsættelsesniveauet over den samlede arbejdsperiode. Et overblik over udsættelsesniveauet for vibrationer og støj bør også tage højde for de gange, hvor værktøjet er slukket, eller når det kører i tomgang. Disse forhold kan i betragteligt omfang reducere udsættelsesniveauet over den samlede arbejdsperiode.

Find yderligere sikkerhedsforanstaltninger, der kan beskytte operatøren mod virkningerne af vibrationer og støj, såsom vedligeholdelse af værktøjet og tilbehøret, holde hænderne varme (i tilfælde af vibrationer) og organisering af arbejdsmonster.

SV

**⚠ VARNING**

De angivna totala vibrations- och bulleremissionsvärdena som anges i denna instruktionsmanual har uppmätts i enlighet med ett standardiserat test och kan användas för att jämföra olika verktyg. De kan användas för en preliminär bedömning av exponering.

De angivna vibrations- och bulleremissionsvärdena representerar verktygets huvudsakliga användningsområden. Om verktyget emellertid används i andra tillämpningar, med andra tillbehör eller underhålls bristfälligt, kan vibrationer och bulleremission skilja sig från de angivna. Dessa förhållanden kan öka exponeringsnivåerna under den totala arbetsperioden avsevärt. En uppskattning av exponeringsnivån för vibrationer och buller bör även ta med i beräkningen de tider då verktyget är avstängt eller när det är igång men inte används i arbete. Dessa förhållanden kan minska exponeringsnivån under den totala arbetsperioden avsevärt.

Identifiera ytterligare säkerhetsåtgärder för att skydda operatören från effekterna av vibrationer och buller, såsom att underhålla verktyget och tillbehören, hålla händerna varma (i händelse av vibrationer) och organisera arbetsmönster.

FI

**⚠ VAROITUS**

Tässä ohjekäsikirjassa tänäkin annettu kokonaisarvo ja ilmoitettu melupäästöarvo on mitattu standardoiduin kokein mukaisesti, ja niitä voidaan käyttää työkalujen vertaamiseen toisiinsa. Niitä voidaan käyttää alitustumisen alustavaan arvioimiseen.

Ilmoitetut värinä- ja melupäästöarvot koskevat työkalun pääkäyttötarkoituksia. Värinäpäästö voi kuitenkin vaihdella, jos työkalua käytetään eri käyttötarkoituksiin, eri tarvikkeilla tai huonosti huollettuina. Mainitut olosuhteet saattavat nostaa alitustumistasoa huomattavasti kokonaistyöajaksi aikana. Värinän ja melun alitustumistason arviointi tulisi ottaa huomioon myös silloin, kun työkalu on kytetty pois päältä tai kun se on käynnissä, mutta sitä ei varsinaisesti käytetä. Mainitut olosuhteet saattavat vähentää huomattavasti alitustumistasoa kokonaistyöajaksi aikana.

Lisäturvatoimenpiteillä, kuten työkalun ja lisävarusteiden huoltamisella, käsien lämpimänä pitämisellä (värinän tapauksessa) ja työmallien järjestämisellä, voit suojella käyttäjä värinältä ja melulta.

NO

**⚠ ADVARSEL**

De erklærte totale vibrasjonsverdiene og de erklærte støytstøttsverdiene gitt i denne brukerhåndboken har blitt målt i samsvar med en standardisert test og kan brukes til å sammenligne ett verktøy med ett annet. De kan brukes for en preliminær vurdering av eksponering.

De opplyste vibrasjons- og støytstøttsverdiene representerer verktøyets hovedbruksområder. Men hvis verktøyet brukes til ulike bruksområder, brukes med ulike tilbehør eller vedlikeholdet er dårlig, kan vibrasjons- og støytstøttsverdiene forskjellig. Disse forholdene kan øke eksponeringsnivået betraktelig i løpet av hele arbeidsperioden. En vurdering av eksponeringsnivået for vibrasjon og støyt skal ta hensyn til de gangene verktøyet er slått av eller går på tomgang. Disse forholdene kan betydelig redusere eksponeringsnivået over den totale arbeidsperioden.

Identifiser ytterligere sikkerhetstiltak for å beskytte operatøren mot virkningen av vibrasjon og støyt, slik som å vedlikeholde verktøyet og tilbehøret, holde hendene varme (i tilfelle vibrasjon) eller organisere arbeidsmønstre.

RU

**⚠ ОСТОЖО**

Заявленные данные о совокупном уровне вибрационного и шумового воздействия, указанные в настоящем руководстве, получены в ходе стандартизированных исследований и могут использоваться для сравнения инструментов. Могут применяться в рамках предварительной оценки степени воздействия.

Заявленный уровень вибрационного и шумового воздействия учитывает основные области применения инструмента. При этом, если инструмент используется иным образом, с другим оборудованием либо некачественно обслуживается, степень вибрационного и шумового воздействия может отличаться. В рамках всего периода эксплуатации эти условия могут способствовать значительному повышению уровня воздействия. Расчет уровня вибрационного и шумового воздействия должен также проводиться с учетом количества выключений инструмента и продолжительности работы на холостом ходу. В рамках всего периода эксплуатации эти условия могут способствовать значительному снижению уровня воздействия.

Обеспечьте дополнительные меры защиты оператора от воздействия вибрации и шума, например, техническое обслуживание инструмента и принадлежности, поддержание температуры рук (в случае вибрации) и организации графика работ.

PL

**⚠ OSTRZEŻENIE**

Podany w niniejszej instrukcji łączny poziom emisji wibracji zmierzono zgodnie ze znormalizowaną metodą testowania — może on być wykorzystywany do wzajemnego porównywania narzędzi. Można go wykorzystywać do wstępnej oceny narażenia.

Deklarowany poziom emisji wibracji i hałasu odpowiada głównym zastosowaniom narzędzia. Jeżeli jednak narzędzie będzie używane do innych zastosowań lub z innymi akcesoriami, bądź też jeśli będzie niewłaściwie konserwowane, poziom emisji wibracji i hałasu może się różnić. Warunki takie mogą doprowadzić do znaczącego wzrostu poziomu narażenia w całym okresie eksploatacji. Oszacowanie poziomu narażenia na wibracje i hałas powinno również uwzględniać okresy, w których narzędzie jest wyłączone bądź działa, ale nie jest wykorzystywane do pracy. Warunki takie mogą doprowadzić do znaczącego ograniczenia poziomu narażenia w całym okresie eksploatacji.

Należy zidentyfikować dodatkowe środki bezpieczeństwa mające na celu ochronę operatora przed skutkami wibracji i hałasu, takie jak konserwacja narzędzia i akcesoriów, utrzymywanie ciepła dłoni (w przypadku wibracji) oraz organizacja pracy.

CS

**⚠ VAROVÁNÍ**

Deklarované celkové hodnoty vibrací a deklarované hodnoty hlučnosti uvedené v tomto návodu byly změněny standardizovanou zkušební metodou a mohou být použity k porovnání jednoho mlohače s druhým. Mohou být použity k předběžnému posouzení vystavení vibracím a hluku.

Deklarované hodnoty vibrací a hlučnosti jsou vymezeny hlavními způsoby použití tohoto mlohače. Pokud je však mlohač použit jiným způsobem, s jiným příslušenstvím nebo při nedostatečné údržbě, úroveň vibrací a hluku se mohou lišit. Tyto podmínky mohou podstatně zvýšit úroveň vystavení vibracím a hluku za celou pracovní dobu. Při odhadu úrovně vystavení vibracím a hluku je nutné vzít v úvahu také dobu, kdy je mlohač vypnut nebo běží naprázdno. Tyto podmínky mohou podstatně snížit úroveň vystavení vibracím a hluku za celou pracovní dobu.

K ochraně obsluhy před účinky vibrací a hluku určete další bezpečnostní opatření, například provádění údržby mlohače a příslušenství, udržování rukou v teple (v případě vibrací) a organizování pracovních cyklů.

HU

**⚠ FIGYELMEZTÉS**

A jelen használati kézikönyvben közölt rezgés- és zajkibocsátási értékek szabványosított vizsgálat segítségével mérték, amelynek segítségével az eszközök egymással összehasonlíthatók. Ezek alkalmazhatók a kitétség előzetes felmérésére is.

A megadott rezgés-kibocsátási és zajkibocsátási szint az eszköz fő alkalmazásait jelöli. Azonban ha az eszköz nem megfelelően tartású karban, különböző alkalmazásokra vagy eltérő tartozékokkal használják, akkor a rezgés- és zajkibocsátás változhat. Ezek a beavatkozások jelentősen növelhetik a kitétségi szintet a teljes működési időtartam során. A rezgésnek és zajnak való kitétségi szint becslést értékeléskor is figyelembe kell venni, amikor az eszköz ki van kapcsolva, vagy amikor csak tétlenül jár. Ezek jelentősen csökkenthetik a kitétségi szintet a teljes működési időtartam során.

A kezelő rezgés- és zajártalom elleni védelméhez tegyen meg további biztonsági intézkedéseket, mint pl. az eszköz és alkatrészei karbantartása, a kéz melegen tartása (rezgés esetén) és a munkavégzési folyamat megszervezése.

RO

**⚠ AVERTISMENT**

Nivelul total al vibrațiilor și valorile emisiilor de zgomot declarate în acest manual cu instrucțiuni au fost măsurate în conformitate cu o metodă de testare standardizată și pot fi utile pentru compararea uneltelor între ele. Acestea pot fi utilizate pentru evaluarea preliminară a expunerii.

Valorile emisiilor de vibrație și de zgomot declarate sunt relevante pentru domeniul de utilizare al acesteia unelte. Totuși, dacă uneltea este utilizată în alte scopuri, cu alte accesorii sau este întreținută necorespunzător, nivelul vibrațiilor și al zgomotului poate fi diferit. În acest caz, nivelul de expunere total, pe parcursul întregii perioade de lucru, poate crește. O estimare a nivelului de expunere la vibrații și zgomot trebuie să țină cont și de numărul de porniri-opriți, precum și de perioada în care uneltea este oprită sau funcționează în gol. În acest caz, nivelul de expunere total, pe parcursul întregii perioade de lucru, poate fi mai mic.

Identificați măsuri de protecție suplimentare pentru protecția operatorului contra efectelor vibrațiilor și zgomotului, precum întreținerea uneltei și a accesoriilor, menținerea mâinilor calde (în caz de vibrație) și organizarea de perioade de lucru.

LV



## BRĪDINĀJUMS

Deklarētie kopējie vibrāciju līmeņi un deklarētie trokšņu izstarošanas līmeņi, kas norādīti šajā instrukcijā ir mēriti saskaņā ar standartizētajiem testiem, un var tikt izmantoti viena instrumenta salīdzināšanai ar citu. Tos var izmantot sākotnējai ietekmes novērtēšanai.

Deklarētajos vibrāciju un trokšņu veidošanās vērtības atspoguļo galvenajam instrumenta pielietojumam. Tomēr, ja instruments tiek izmantots citām pielietojumiem, izmantots ar citiem aksesoriem, vai netiek pienācīgi kopts, vibrāciju un trokšņu līmeņis var atšķirties. Šie apstākļi var būtiski palielināt ietekmes līmeņi visā darba laikā. Vibrāciju un trokšņu iedarbības līmeņa noteikšanai jāņem vērā arī laika posmi, kad instruments ir izslēgts, vai arī darbojas tukšgājā. Šie apstākļi var būtiski samazināt ietekmes līmeņi visā darba laikā.

Nosakiet papildu drošības pasākumus. Iai aizsargātu lietotāju no vibrācijas un trokšņu ietekmes, piemēram, veicot instrumenta un aprīkojuma apkopes, roku uzturēšana siltumā (vibrāciju gadījumā), vai organizējot darba grafiku.

LT



## ĮSPĖJIMAS

Šioje naudojimo instrukcijoje nurodytos keliamos vibracijos vertės nustatytos atsižvelgiant į standartinį bandymo metodą, todėl jas galima palyginti su kitų elektrinių įrankių keliamąja vibracija. Jos taip pat gali būti naudojamos preliminariam vibracijos poveikiui įvertinti.

Deklaruojamos vibracijos ir skleidžiama triukšmo vertės atspindi pagrindinius įrenginio taikymo būdus. Tačiau, jei šiuo įrenginiu atliekami kiti darbai, naudojant kitus priedus arba prastai prižiūrimus priedus, keliamos vibracijos ir triukšmo vertės gali skirtis. Šiomis sąlygomis gali žymiai padidėti vibracijos poveikio lygiai per visą darbo laiką. Vertinant vibracijos ir triukšmo poveikio lygį per tam tikrą darbo laikotarpį, reikia atsižvelgti ne tik į laiką, kai įrenginys veikia, bet ir į tą laiką, kai įrenginys yra išjungtas, ir į laiką, kai jis veikia tuščiajais eiga be apkrovos. Šiomis sąlygomis gali žymiai sumažėti vibracijos poveikio lygis per visą darbo laiką.

Nustatykite papildomas saugos priemones, skirtas operatoriui apsaugoti nuo vibracijos ir triukšmo poveikio, pvz., technškai prižiūrėkite įrenginį ir priedus, laikykite rankas šiltai (vibracijos atveju) ir organizuokite darbo pamainas.

ET



## HOIATIS

Kāesleavas juhendis toodud vibratsioonitase ja deklaritud müramissiooni väärtused on mõeldud standardmeetodi järgi ja see saab kasutada tööriistade omavaheliseks võrdlemiseks. Neid võib kasutada ka emissiooni alistselgseks hindamiseks.

Deklareitud vibratsiooni ja müramissiooni väärtused kehtivad tööriista peamistele rakendustele. Kui aga tööriista kasutatakse muudeks töödeks, rakendatakse teisi tehnikuid või kui tööriista hooelus pole piisav, võib vibratsioon ja müramissiooni tase kõrguda. Need tingimused võivad emissiooni tõepoolesti jooksul tunduvalt suurendada. Vibratsiooni ja müramissiooni täpsuseks hindamiseks tuleb aevselt võtta ka aega, mil seade on väljas lülitatud või sisse lülitatud, kuid tegelikult tööde rakendamata. Need tingimused võivad emissiooni tõepoolesti jooksul tunduvalt vähendada.

Tehke kindlaks lähendavad ohutusmeetmed kasutaja kaitsmiseks vibratsiooni ja müra mõju eest: näiteks tööriista ja lisaseadmete hooldamine, käte soojas hoidmine (vibratsiooni korral) ja töökorraldus.

HR



## UPOZORENJE

Deklarirane ukupne vrijednosti vibracija i deklarirane emisije buke navedene u ovom priručniku s uputama izmjerenje su u skladu sa standardiziranim ispitnom metodom i mogu se koristiti za usporedbu jednog alata s drugim. Moguće ih je upotrijebiti za preliminarnu procjenu izlaganja.

Deklarirane vrijednosti razine emisije vibracija i buke predstavljaju glavne primjene alata. Međutim, ako se alat koristi za druge primjene, koristi s različitim dodacima ili ako se loše održava, emisija vibracija i buke se može razlikovati od navedene vrijednosti. Ti uvjeti mogu uzrokovati značajno povećanje razine izloženosti u ukupnom vremenu rada alatom. Procjena razine izloženosti vibracijama i buci također bi trebala uzeti u obzir i vrijeme u kojem je alat isključen ili radi u praznom hodu. Ti uvjeti mogu uzrokovati značajno smanjenje razine izloženosti u ukupnom vremenu rada alatom.

Utvrdite dodatne sigurnosne mjere za zaštitu rukovatelja od djelovanja vibracija i buke, kao što su održavanje alata i pribora, održavanje topline ruku (u slučaju vibracija) i organiziranje radnog vremena.

SL



## OPOZORILO

Skupni vrednosti emisij vibracij i emisij hrupa, navedeni v tem priručniku, sta bili izmerjeni v skladu z metodo standardiziranega preskusa in se lahko uporabljata za medsebojno primerjavo orodja. Uporabljajo se lahko za predhodno oceno stopnje izpostavljenosti.

Navedeni vrednosti emisij vibracij i hrupa veljavata za glavne namene uporabe orodja. Vendar, če se orodje uporablja v druge namene, z drugačnimi dodatki ali je slabo vzdrževano, sta lahko ravni emisij vibracij i hrupa drugačni. V teh pogojih se lahko stopnja izpostavljenosti v celotnem delovnem obdobju občutno zviša. V oceni stopnje izpostavljenosti vibracijam i hrupa je treba upoštevati tudi obdobja, v katerih je orodje ugasnjeno oziroma teče, vendar ni v dejanski uporabi. V teh pogojih se lahko stopnja izpostavljenosti v celotnem delovnem obdobju občutno zniža.

Ugotovite dodatne varnostne ukrepe za zaščito uporabnika pred učinki vibracij i hrupa, kot je vzdrževanje orodja in dodatkov, ohranjanje toplih rok (v primeru vibracij) i organizacija delovnih vzorcev.

SK



## VAROVANIE

Deklarované celkové hodnoty vibráci a deklarované hodnoty emisii hluku uvedené v tomto návode na obsluhu boli merané v súlade so štandardizovanou skúškou a môžu sa použiť na porovnanie jedného náradia s druhým. Môžu sa použiť na predbežné posúdenie expozície.

Deklarované hodnoty vibráci a emisii hluku sú pre hlavné použitia náradia. No ak sa náradie používa na iné aplikácie, v spojení s iným príslušenstvom alebo je jeho údržba nepostačujúca, emisie vibráci a hluku sa môžu líšiť. Tieto podmienky značne zvyšujú úroveň expozície počas celkovej pracovnej doby. Odhad úrovne expozície účinkom vibráci a hluku má tieto faktory zohľadniť čas vypnutia náradia alebo ak beží na voľnobeh. Tieto podmienky môžu značne znížiť úroveň expozície počas celkovej pracovnej doby.

Identifikujte ďalšie bezpečnostné opatrenia na ochranu obsluhy pred účinkami vibráci a hluku, ako je napríklad udržiavanie náradia a príslušenstva, udržiavanie teplých rúk (v prípade vibrácií) a organizácia pracovných postupov.

BG



## ВНИМАНИЕ

Декларираните общи стойности на излъчените вибрации и на шумовите емисии, посочени в настоящото ръководство, са измерени в съответствие със стандартизиран тестов метод и може да се използват за сравнение на един инструмент с друг. Те може да се използват за предварително оценяване на въздействието.

Декларираните стойности на излъчените вибрации и на шумовите емисии представляват основните приложения на инструмента. Въпреки това, ако инструментът се използва за различни приложения, с различни принадлежности или поддръжката му е некачествена, излъчените вибрации и шумовите емисии могат да се различават. Тези условия може значително да увеличат нивото на излагане през целия срок на работа. При оценяване на нивото на излагане на вибрации и шум също трябва да се вземе предвид колко пъти инструментът е бил изключван или колко пъти е работил на празен ход. Тези условия може значително да намалят нивото на излагане през целия срок на работа.

Определете допълнителни мерки за предпазване на оператора от ефектите от вибрациите и шума, като например поддръжане на инструмента и аксесоарите, поддръжане на ръцете топли (в случай на вибрации), организация на моделите за работа.

UK



## ПОПЕРЕДЖЕННЯ

Значения вибрації та шуму, наведені в цьому керівництві, вимірювалися відповідно до стандартизованого методу вивпробування та можуть бути використані для порівняння одного інструменту з іншим. Ними можна користуватися для попередньої оцінки впливу.

Наведені значення виміряно при стандартній експлуатації виробу. Утім якщо виріб використовується для інших цілей, з іншими додатковими пристосуваннями або ж не проходить належного обслуговування, рівні вибрації та шуму можуть відрізнятись від зазначених. Як наслідок, рівні впливу впродовж загального робочого часу можуть значно збільшитися. При оцінці рівнів впливу вібрації та шуму слід враховувати періоди, коли виріб вимкнений або працює на холостих обертах. Як наслідок, рівні впливу впродовж загального робочого часу можуть значно зменшитися.

Дотримуйтеся додаткових заходів, які можуть захистити оператора від впливу вібрації та шуму: підтримуйте пристрій та додаткові пристосування у належному стані, слідкуйте, щоби руки залишалися теплими (при вібрації), та продумайте графік роботи.

TR



## UYARI

Bu kullanım kılavuzunda verilen toplam titreşim değerleri ve gürültü emisyonu değerleri standartlaştırılmış bir teste göre ölçülmüştür ve bir aleti diğerine karşılaştırmak için kullanılabılır. Maruz kalmanın onceden değerlendirilmesini için kullanılabılır.

Beyan edilen titreşim ve gürültü emisyonu değerleri aletin ana uygulaması için temsil eder. Ancak, alet farklı uygulamalar için kullanılıyorsa, farklı aksesuarlarla kullanılıyorsa ve bakımı yapılmıyorsa, titreşim ve gürültü emisyonu değışiklik gösterebilir. Bu koşullar toplam çalışma süresi genelinde maruz kalma düzeylerini önemli oranda artırabilir. Titreşime ve gürültüye maruz kalma seviyesinin tahmininde aletin kapatıldığı veya boşta çalıştığı süreler dikkate alınmalıdır. Bu koşullar toplam çalışma süresi boyunca maruz kalma seviyesini önemli oranda azaltabilir.

Kullanıcı kişiyi titreşim ve gürültünün etkilerinden korumak için aletin ve aksesuarların bakımını yapmak (titreşim halinde) elleri sıcak tutmak ve çalışma modelleri organize etmek gibi ilave güvenlik önlemlerini tanımlayın.



## EN RYOBI WARRANTY APPLICATION CONDITIONS

In addition to any statutory rights resulting from the purchase, this product is covered by a warranty as stated below.

1. The warranty period is 24 months for consumers and commences on the date when the product was purchased. This date has to be documented by an invoice or other proof of purchase. The product is designed and dedicated to consumer and private use only. So there is no warranty provided in case of professional or commercial use. This warranty applies only on new products.
2. There is a possibility to extend for a part of the range of power tools (AC/DC) the warranty period over the period described above using the registration on the [www.ryobitools.eu](http://www.ryobitools.eu) website. The eligibility of products for extended warranty is clearly displayed in stores and / or on packaging and is contained within the product documentation. The end user is required to register his/her newly-acquired products online within 30 days from the date of purchase. The end user may register for the extended warranty in his/her country of residence if listed on the online registration form where this option is valid. Furthermore, end users must give their consent to the storage of their personal data that is required to be entered online. They must also accept the terms and conditions. The registration confirmation receipt, which is sent out by e-mail, and the original invoice showing the date of purchase will serve as proof of the extended warranty.
3. The warranty covers all defects of the product during the warranty period due to faults in workmanship or material at the purchase date. The warranty is limited to repair and/or replacement and does not include any other obligations including but not limited to incidental or consequential damages. The warranty is not valid if the product has been misused, used contrary to the instruction manual, or has been incorrectly connected to a power supply. This warranty does not apply to:
  - any damage to the product that is the result of improper or lack of maintenance
  - any product that has been altered or modified
  - any product where original identification (trade mark, serial number) markings have been defaced, altered or removed
  - any damage caused by non-observance of the instruction manual
  - any product not displaying the CE approval mark on the rating plate
  - any product that has been attempted to be repaired by a non-authorized warranty service centre or without prior authorisation by Techtronic Industries
  - any product connected to improper power supply (amps, voltage, frequency)
  - any product used with inappropriate fuel mixture (fuel, oil, ratio of oil/ fuel mixture)
  - any damage caused by external influences (water, chemical, physical, shocks) or foreign substances
  - normal wear and tear spare parts
  - inappropriate use, overloading of the tool
  - use of non-approved accessories or parts
  - Accessories provided with the tool or purchased separately including but not limited to blades, saw chains, cutting lines, etc.
  - Any periodic adjustments to or maintenance cleaning of carburetors
  - Components (parts and accessories) subject to natural wear and tear, including but not limited to bump knobs, drive belts, clutch, blades of hedge trimmers or lawn mowers, harness, cable throttle, carbon brushes, power cord, tines, felt washers, hitch pins, blower fans, blower and vacuum tubes, vacuum bag and straps, guide bars, saw chains, hoses, connector fittings, spray nozzles, wheels, spray wands, inner reels, outer spools, cutting lines, spark plugs, air filters, gas filters, mulching blades, etc.
4. For servicing, the product must be sent or presented to a RYOBI authorised service station listed for each country in the following list of service station addresses. In some countries your local RYOBI dealer undertakes to send the product to the RYOBI service organisation. When sending a product to a RYOBI service station, the product should be safely packed without any dangerous contents such as petrol, marked with sender's address and accompanied by a short description of the fault.
5. A repair / replacement under this warranty is free of charge. It does not constitute an extension or a new start of the warranty period. Exchanged parts or products become our property. In some countries delivery charges or postage will have to be paid by the sender. Your statutory rights arising from the purchase of the product remain unaffected.
6. This warranty is valid in the European Community, Switzerland, Iceland, Norway, Liechtenstein, Turkey, Russia, and the United Kingdom. Outside these areas, please contact your authorised RYOBI dealer to determine if another warranty applies.

### AUTHORISED SERVICE CENTRE

Any request or issue with the product can be addressed to your local authorised service centres (visit [www.ryobitools.eu](http://www.ryobitools.eu)) or directly to: Techtronic Industries GmbH, Max Eyth Straße 10, 71364 Winnenden, Germany. Please state the serial number and product type printed on the label.

## FR RYOBI CONDITIONS D'APPLICATION DE LA GARANTIE

En plus des droits statutaires liés à l'achat, ce produit est couvert par une garantie telle que décrite ci-dessous.

1. La durée de la garantie accordée au consommateur est de 24 mois à partir de la date d'achat. Cette date doit être authentifiée par une facture ou tout autre preuve d'achat. Le produit a été conçu en vue d'une utilisation strictement privée. Aucune garantie ne s'applique donc en cas d'utilisation professionnelle ou commerciale.
2. Il existe pour une partie de la gamme « jardin » (AC/DC), une possibilité d'étendre la période de garantie au-delà de la période précédemment décrite en utilisant le formulaire d'enregistrement présent sur le site Internet [www.ryobitools.eu](http://www.ryobitools.eu). L'éligibilité d'un outil est clairement affichée dans les points de vente et/ou sur l'emballage et la documentation. L'utilisateur final doit enregistrer son/ses outil(s) nouvellement acheté(s) en ligne dans les 30 jours qui suivent la date d'achat. L'utilisateur a la possibilité de s'enregistrer pour l'extension de garantie dans son pays de résidence si celui-ci est listé dans le formulaire d'enregistrement en ligne où cette option est valide. L'utilisateur final doit donner son consentement pour l'enregistrement des données requises pour accéder au site et doit accepter les termes et conditions. La confirmation d'enregistrement, envoyée par courrier électronique, ainsi que la facture originale mentionnant la date d'achat serviront de preuve de l'extension de garantie.
3. La garantie couvre pendant la période de garantie les défauts des produits liés à la fabrication et aux matériaux à la date d'achat. La garantie est limitée à la réparation et/ou au remplacement et n'inclut aucune autre obligation, tel que, mais sans s'y limiter, les dommages accessoires ou indirects. La garantie est non valable en cas de mauvaise utilisation du produit, d'utilisation contraire aux instructions du mode d'emploi, ou en cas de branchement incorrect. Cette garantie ne s'applique pas pour :
  - tout dommage au produit résultant d'un mauvais entretien
  - tout produit ayant été altéré ou modifié
  - tout produit dont les marquages originaux d'identification (marque, numéro de série) ont été dégradés, altérés ou retirés
  - tout dommage causé par le non-respect des instructions du mode d'emploi
  - tout produit non CE
  - tout produit ayant subi une tentative de réparation par du personnel non qualifié ou sans autorisation préalable de Techtronic Industries
  - tout produit raccorder à une alimentation secteur non conforme (ampérage, voltage, fréquence)
  - tout produit utilisé avec un mélange inapproprié (essence, huile, pourcentage d'huile)
  - tout dommage causé par des influences extérieures (chimiques, physiques, chocs) ou par des substances étrangères
  - l'usure normale des pièces consommables
  - une utilisation inappropriée, une surcharge de l'outil
  - l'utilisation de pièces ou accessoires non agréés
  - Tout réglage périodique ou tout nettoyage de maintenance des carburateurs
  - les composants (pièces et accessoires) sujets à une usure naturelle, incluant de façon non exhaustive les têtes de fil à frapper, les courroies de transmission, les embrayages, les lames des taille-haies ou des tondeuses à gazon, les harnais, les câbles d'accélérateur, les charbons, les cordons d'alimentation, les fraises de cultivateurs, les rondelles feutre, les gouppilles de fraise, les turbines et lame de broyage des souffleurs, les tubes de soufflage et d'aspiration des souffleurs, les sacs de souffleurs et leurs lanières, les guides-chaîne, les chaînes de tronçonneuses, les tuyaux et raccords, les buses et lances de nettoyeurs haute pression, les roues, les recharges de fil des têtes de coupe, les têtes de coupe, le fil de coupe, les bougies d'allumage, les filtres à air, les filtres à essence, etc.
4. Si le produit doit être réparé, envoyez-le à un service après-vente agréé RYOBI dont vous trouverez ci-dessous la liste pour chaque pays. Dans certains pays, votre revendeur RYOBI se chargera d'envoyer le produit à un centre de réparation RYOBI. Lorsque vous envoyez un produit à un service après-vente RYOBI, celui-ci doit être correctement emballé, sans contenir aucun produit dangereux tel que de l'essence, et vous devez indiquer votre adresse ainsi qu'une courte description du problème.
5. Une réparation / un remplacement sous garantie est gratuit(e). Ceci ne constituera pas une extension de garantie ni un nouveau départ de la période de garantie. Les pièces ou les outils remplacés deviennent notre propriété. Dans certains pays, les frais de port devront être assumés par l'expéditeur. Vos droits statutaires restent inchangés.
6. Cette garantie est valable dans la Communauté européenne, la Suisse, l'Islande, la Norvège, le Liechtenstein, la Turquie, la Russie et le Royaume-Uni. En dehors de ces zones, veuillez contacter votre distributeur agréé RYOBI pour déterminer si une autre garantie s'applique.

### SERVICE APRÈS-VENTE AGRÉÉ

Toute demande ou tout problème concernant le produit peut être transmis à votre centre de réparation agréé local (consultez [www.ryobitools.eu](http://www.ryobitools.eu)) ou directement à : Techtronic Industries GmbH, Max Eyth Straße 10, 71364 Winnenden, Germany. Veuillez mentionner le numéro de série et le type de produit imprimé sur l'étiquette.

## DE RYOBI GARANTIEBEDINGUNGEN

Zusätzlich zu den gesetzlichen Rechten aus dem Kauf gilt für dieses Produkt die nachstehend aufgeführte Garantie.

- Der Garantiezeitraum beträgt für Verbraucher 24 Monate und beginnt mit dem Datum des Kaufs. Dieses Datum muss durch eine Rechnung oder einen anderen Kaufbeleg dokumentiert werden. Dieses Produkt wurde ausschließlich zur privaten Nutzung durch Verbraucher entwickelt. Für den Fall einer professionellen bzw. kommerziellen Nutzung besteht daher keine Garantie.
- Es besteht die Möglichkeit, für einen Teil des Sortiments der Gartenwerkzeuge (AC/DC) den Garantiezeitraum über den oben genannten Zeitraum hinaus zu verlängern, indem der Verbraucher die Registrierung auf der Website [www.ryobitools.eu](http://www.ryobitools.eu) durchführt. Die Berechtigung der Werkzeuge für die Garantieverlängerung ist deutlich im Geschäft und/oder auf der Verpackung beschrieben und in der Produktdokumentation erwähnt. Der Verbraucher muss das neu erworbene Gerät online innerhalb von 30 Tagen ab dem Kaufdatum registrieren. Der Verbraucher kann das Gerät zwecks Garantieverlängerung in seinem Wohnsitzland/Heimatland registrieren, wenn dieses Land auf dem Online-Registrierungsformular aufgeführt und die Option gültig ist. Darüber hinaus muss der Verbraucher seine Zustimmung zur Speicherung der Daten geben, die online eingegeben werden müssen, und er muss die allgemeinen Geschäftsbedingungen akzeptieren. Die Bestätigung der Registrierung, die per E-Mail versandt wird, und die Originalrechnung mit dem Kaufdatum gelten als Beleg für die Garantieverlängerung.
- Die Garantie deckt alle Defekte des Geräts während des Garantiezeitraums ab, die auf zum Zeitpunkt des Kaufs bestehende Verarbeitungs- oder Materialfehler zurückzuführen sind. Die Garantie beschränkt sich auf Reparatur und/oder Ersatz und beinhaltet keine anderen Verpflichtungen, insbesondere keinen Schadenersatz für Folge- oder Nebenschäden. Die Garantie gilt nicht, wenn das Gerät fehlerhaft eingesetzt wurde, gegenseitlich zur Bedienungsanleitung eingesetzt wurde oder falsch angeschlossen wurde. Die Garantie gilt nicht für Folgendes:
  - Schäden am Gerät, die auf unkorrekte Wartung zurückzuführen sind
  - Geräte, an denen Veränderungen vorgenommen wurden
  - Produkte, bei denen die ursprüngliche Identifizierung (Handelsmarke, Seriennummer) unleserlich gemacht, verändert oder entfernt wurde
  - Schäden durch Nichtbeachtung der Bedienungsanleitung
  - nicht-CE-zertifizierte Geräte
  - Geräte, an denen durch nicht-qualifizierte Personen oder ohne vorherige Genehmigung von Technonic Industries Reparaturversuche vorgenommen wurden
  - Geräte, die an unkorrekte Energiequellen (Ampere, Volt, Frequenz) angeschlossen wurden
  - Geräte, die mit einer fehlerhaften Treibstoffmischung (Treibstoff, Öl, Ölantel) betrieben wurden
  - Schäden durch äußere Einflüsse (chemisch, physisch, Stöße) oder Fremdstoffe
  - normaler Verschleiß von Ersatzteilen
  - unangemessene Nutzung, Überlastung des Geräts
  - Nutzung nicht genehmigter Zubehörteile oder Ersatzteile
  - Regelmäßige Einstellung oder Wartungsreinigung des Vergasers
  - Komponenten (Ersatzteile und Zubehörteile), die natürlichem Verschleiß unterliegen, einschließlich, aber nicht begrenzt auf Service- und Wartungssets, Kohlebürsten, Lager, Spannvorrichtungen, SDS-Bohreraufnahme /Bit-Adapter, Netzkabel, Zusatzhandgriff, Transportkoffer, Schleifplatten, Staubbeutel, Staubabführungen, Filzunterlegscheiben, Bolzen und Federn von Schlagschraubern, Filzunterlegscheiben, Bolzen und Federn von Rasenmähern, Kabelstränge, Gaszüge, Zinken, Steckbolzen, Lüfter, Saug- und Gebläserohre oder Düsen, Fangsäcke und Gurte, Führungsschienen, Sägeketten, Schläuche, Verbinder, Sprühdüsen, Räder, Sprühstäbe, innere Rollen, äußere Spulen, Schneidfäden, Zündkerzen, Luftfilter, Benzin/- Ölfilter, Hackseil-Messer usw.
- Zum Service muss das Gerät zu einer von RYOBI autorisierten Servicestation gebracht oder dorthin geschickt werden. Die Servicestationen für die einzelnen Länder sind in der folgenden Liste aufgeführt. In einigen Ländern sendet Ihr RYOBI-Händler vor Ort das Gerät an das RYOBI-Serviceunternehmen. Beim Einsenden an die RYOBI-Servicestation sollte das Gerät sicher verpackt sein, ohne gefährliche Inhalte wie Benzin, und es sollte mit der Adresse des Absenders und einer kurzen Beschreibung des Fehlers versehen sein.
- Eine Reparatur bzw. ein Ersatz gemäß dieser Garantie ist kostenlos. Hieraus ergibt sich weder eine Garantieverlängerung noch der Beginn eines neuen Garantiezeitraums. Die ausgelassenen Ersatzteile oder Werkzeuge gehen in unser Eigentum über. In einigen Ländern müssen die Zustellgebühren oder die Versandkosten vom Absender gezahlt werden. Ihre gesetzlichen Rechte aus dem Kauf des Geräts bleiben hiervon unberührt.
- Diese Garantie ist gültig in der Europäischen Gemeinschaft, der Schweiz, Island, Norwegen, Liechtenstein, der Türkei, Russland und dem Vereinigten Königreich. Bitte wenden Sie sich außerhalb dieser Gebiete an Ihre autorisierten RYOBI-Händler, um festzustellen, ob eine andere Garantie gilt.

### AUTORISIERTER KUNDENDIENST

Bitte wenden Sie sich bei Fragen zum oder Problemen mit dem Gerät an das örtliche autorisierte Servicecenter (siehe [www.ryobitools.eu](http://www.ryobitools.eu)) oder direkt an: Technonic Industries GmbH, Max Eyth Straße 10, 71364 Winnenden, Germany. Bitte geben Sie die Seriennummer und den auf dem Typenschild aufgedruckten Gerätetyp an.

## ES CONDICIONES DE APLICACIÓN DE LA GARANTÍA DE RYOBI

Además de cualquier derecho legal derivado de la compra, este producto está cubierto por una garantía que se indica a continuación.

- El periodo de garantía es de 24 meses para consumidores y comienza en la fecha en que se comprara el producto. Dicha fecha debe documentarse con una factura u otro comprobante de compra. El producto está diseñado y concebido únicamente para el uso privado del consumidor. Por lo tanto, no se ofrece garantía en caso de uso profesional o comercial.
- Existe la posibilidad de ampliar el periodo de garantía respecto a una parte de la gama de herramientas de jardinería (CA/CC) durante el periodo descrito más arriba y mediante el registro en el sitio web [www.ryobitools.eu](http://www.ryobitools.eu). La elegibilidad de las herramientas para que se amplíe el periodo de garantía se muestra claramente en las tiendas o en el embalaje y está incluida en la documentación del producto. El usuario final tiene que registrar en línea sus herramientas recientemente adquiridas en un plazo de 30 días a partir de la fecha de compra. El usuario final podrá registrarse para obtener la garantía ampliada en su país de residencia si este aparece en la lista del formulario de registro en línea cuando esta opción sea válida. Además, los usuarios finales deberán dar su consentimiento al almacenamiento de los datos necesarios para el acceso en línea y tienen que aceptar los términos y condiciones. El recibo de confirmación de registro, que se envía por correo electrónico, y la factura original que muestra la fecha de compra servirán como comprobante para la garantía ampliada.
- La garantía cubre todos los defectos del producto durante el periodo de garantía debido a fallos de mano de obra o material en la fecha de compra. La garantía se limita a la reparación o sustitución y no incluye ninguna otra obligación como, por ejemplo, daños accidentales o consecuentes. La garantía no es válida si se ha usado mal el producto, se ha usado contraviniendo el manual de instrucciones o se ha conectado de forma incorrecta. Esta garantía no es aplicable a:
  - ningún daño en el producto que sea consecuencia de un mantenimiento inadecuado
  - ningún producto que haya sido alterado o modificado
  - ningún producto en el que los marcados de identificación originales (marca comercial, número de serie) se hayan borrado, modificado o eliminado
  - ningún daño provocado por no seguir el manual de instrucciones
  - ningún producto que no sea CE
  - ningún producto que haya sufrido un intento de reparación por parte de un profesional no cualificado o sin la autorización previa de Technonic Industries.
  - ningún producto conectado a un suministro eléctrico inadecuado (amperios, voltaje, frecuencia)
  - ningún producto usado con una mezcla de combustible inadecuada (combustible, aceite, porcentaje de aceite)
  - ningún daño causado por influencias externas (químicas, físicas, impactos) o sustancias extrañas
  - desgaste normal de piezas de repuesto
  - uso inadecuado, sobrecarga de la herramienta
  - uso de accesorios o piezas no aprobados
  - Cualquier ajuste periódico o limpieza de mantenimiento de los carburadores
  - Componentes (piezas y accesorios) sujetos al desgaste natural incluyendo, entre otros, pomos de golpes, correas de transmisión, embragues, cuchillas de cortasetos o cortacésped, arneses, cable del acelerador, escobillas de carbono, cables eléctricos, púas, discos de filtro, pasadores de enganche, ventiladores de soplador, tubos de aspiración y de soplado, bolsas y correas de aspiración, barras guías, cadenas de sierra, mangueras, herrajes de conectores, boquillas pulverizadoras, ruedas, lanzas pulverizadoras, bobinas interiores, carretes exteriores, líneas de corte, bujías, filtros de aire, filtros de gas, cuchillas de compostaje, etc.
- Para su mantenimiento, el producto debe enviarse o presentarse a una estación de servicio de RYOBI autorizada que figure en la siguiente lista de direcciones de estaciones de servicio por países. En algunos países, su distribuidor RYOBI local se responsabiliza de enviar el producto a la compañía de servicio de RYOBI. Cuando se envíe un producto a una estación de servicio de RYOBI, este debe estar empaquetado de forma segura sin contenidos peligrosos como gasolina, marcado con la dirección del remitente y acompañado de una breve descripción del fallo.
- Una reparación / sustitución con esta garantía es gratuita. No constituye una ampliación ni un nuevo comienzo del periodo de garantía. Las piezas o herramientas intercambiadas pasan a ser de nuestra propiedad. En algunos países, los gastos de envío o correos tendrá que pagarlos el remitente. Sus derechos legales derivados de esta compra de la herramienta no se verán afectados.
- Esta garantía es válida en la Comunidad Europea, Suiza, Islandia, Noruega, Liechtenstein, Turquía, Rusia y el Reino Unido. Fuera de estas zonas, póngase en contacto con su distribuidor de RYOBI autorizado para determinar si es aplicable otra garantía.

### SERVICIO TÉCNICO AUTORIZADO

Cualquier solicitud o problema relacionado con el producto se puede remitir a su centro de servicio autorizado local ([www.ryobitools.eu](http://www.ryobitools.eu)) o directamente a: Technonic Industries GmbH, Max Eyth Straße 10, 71364 Winnenden, Germany. Indique el número de serie y el tipo de producto que aparecen impresos en la etiqueta.

## IT CONDIZIONI DI VALIDITÀ DELLA GARANZIA RYOBI

In aggiunta ai diritti di legge risultanti dall'acquisto, il prodotto è coperto dalla garanzia sotto descritta.

1. Il periodo di garanzia è di 24 mesi per i consumatori, a decorrere dalla data di acquisto del prodotto. La data deve essere documentata da una fattura o altra prova d'acquisto. Il prodotto è progettato e destinato solo all'utilizzo privato dei consumatori. Pertanto non viene fornita alcuna garanzia in caso di uso professionale o commerciale.
2. Per una serie di utensili da giardino (CA/CC) è possibile prolungare il periodo di garanzia oltre quello descritto, registrandosi sul sito web [www.ryobitools.eu](http://www.ryobitools.eu). Gli utensili per i quali è possibile prolungare il periodo di garanzia sono chiaramente indicati nei negozi e/o sulle confezioni e nella documentazione dei prodotti. L'utente deve registrare online l'utensile acquistato entro 30 giorni dalla data di acquisto. L'utente può registrarsi per la garanzia prolungata nel proprio paese di residenza, se questo è elencato nel modulo di registrazione online dove questa opzione sia valida. Inoltre gli utenti devono fornire il proprio consenso alla conservazione dei dati da immettere online e devono accettare le condizioni generali. La conferma di registrazione, inviata tramite e-mail, e la fattura originale indicante la data di acquisto, costituiranno la prova della garanzia prolungata.
3. La garanzia copre tutti i difetti del prodotto durante il periodo di garanzia, risultati da manodopera o materiali alla data di acquisto. La garanzia è limitata alla riparazione e/o sostituzione e non include alcun altro obbligo quali, a mero titolo esemplificativo, i danni incidentali o consequenziali. La garanzia non è valida se il prodotto è stato usato scorrettamente, in modo contrario al manuale di istruzioni o se è stato collegato in modo errato. La garanzia non è valida per:
  - qualsiasi danno al prodotto dovuto a manutenzione errata;
  - qualsiasi prodotto che sia stato alterato o modificato;
  - qualsiasi prodotto le cui marcature di identificazione originali (marchi di fabbrica, numero di serie) siano state cancellate, alterate o rimosse;
  - qualsiasi danno causato dalla non osservanza delle istruzioni del manuale;
  - qualsiasi prodotto privo di omologazione CE;
  - qualsiasi prodotto che sia stato sottoposto a un tentativo di riparazione da parte di un professionista non qualificato oppure senza la previa autorizzazione di Technronic Industries;
  - qualsiasi prodotto collegato a un'alimentazione errata (per ampere, tensione, frequenza);
  - qualsiasi prodotto usato con una miscela di carburante errata (carburante, olio, percentuale di olio);
  - qualsiasi danno causato da influenze esterne (chimiche, fisiche, urti) o sostanze estranee;
  - la normale usura delle parti di ricambio;
  - uso inappropriato, sovraccarico dell'utensile;
  - uso di accessori o parti non omologate;
  - qualsiasi regolazione periodica o pulizia di manutenzione dei carburatori;
  - componenti (parti e accessori) soggetti alla normale usura compresi, a mero titolo esemplificativo, testine a filo, cinghie di trasmissione, frizioni, lame di tagliasiepi o tagliaerba, imbragature, cavi di accelerazione, spazzole al carbonio, cavi di alimentazione, denti, rondelle di feltro, perni di aggancio, ventole dei soffiatori, tubi di soffiatori e aspiratori, sacchetti e cinghie per aspirapolvere, barre guida, catene per seghe, tubi, raccordi di connessione, ugelli di spruzzo, ruote, erogatori, bobine interne ed esterne, linee di taglio, candele, filtri dell'aria, filtri del gas, lame per mulching ecc.
4. Per la manutenzione il prodotto dev'essere spedito o portato presso uno dei centri assistenza autorizzati RYOBI elencati per ogni paese nel seguente elenco di indirizzi dei centri. In alcuni paesi il rivenditore locale RYOBI si incarica di inviare il prodotto all'organizzazione di assistenza RYOBI. Quando si invia un prodotto a un centro assistenza RYOBI, imballarlo in modo sicuro senza contenuti pericolosi come la benzina, apporre l'indirizzo del mittente e accompagnarlo da una breve descrizione del guasto.
5. La riparazione/sostituzione ai sensi della presente garanzia è gratuita. Non costituisce un prolungamento o un nuovo inizio del periodo di garanzia. Le parti o gli utensili scambiati diventano di nostra proprietà. In alcuni paesi i costi di consegna o di spedizione postale devono essere pagati dal mittente. I diritti di legge derivanti dall'acquisto dell'utensile rimangono inalterati.
6. La presente garanzia è valida in Comunità Europea, Svizzera, Islanda, Norvegia, Liechtenstein, Turchia, Russia e Regno Unito. Al di fuori di tali aree contattare il rivenditore autorizzato RYOBI per sapere se è valida un'altra garanzia.

### CENTRO SERVIZI AUTORIZZATO

Qualsiasi richiesta o problema con il prodotto può essere indirizzato ai centri di assistenza autorizzati locali (visitare [www.ryobitools.eu](http://www.ryobitools.eu)) o direttamente a: Technronic Industries GmbH, Max Eyth Straße 10, 71364 Winnenden, Germany. Si prega di indicare il numero di serie e il tipo di prodotto stampati sull'etichetta.

## NL RYOBI GARANTIEVOORWAARDEN

Naast de wettelijke rechten die voortvloeien uit de aankoop, wordt dit product gedekt door een garantie, zoals hieronder staat vermeld.

1. De garantietermijn voor consumenten bedraagt 24 maanden en gaat in op de datum waarop het product is gekocht. Deze datum moet worden gedocumenteerd met een factuur of een ander aankoopbewijs. Het product is uitsluitend ontworpen en bedoeld voor persoonlijk gebruik door consumenten. Er wordt dus geen garantie gegeven voor professioneel of commercieel gebruik.
2. Voor een deel van ons aanbod van tuingeredschappen (AC/DC) is het mogelijk om de garantietermijn te verlengen over de boven beschreven termijn, met behulp van de website [www.ryobitools.eu](http://www.ryobitools.eu). De gereedschappen die in aanmerking komen voor de verlenging van de garantietermijn wordt duidelijk weergegeven in winkels en/of verpakkingen en staat beschreven in de productdocumentatie. De eindgebruiker moet zijn/haar nieuw gekochte gereedschappen binnen 30 dagen na aankoop online registreren. De eindgebruiker kan zich registreren voor de verlengde garantietermijn als zijn woonland staat vermeld op het online registratieformulier waar deze optie geldig is. Bovendien moeten eindgebruikers toestemming geven voor de opslag van de gegevens die online ingevuld moeten worden en moeten ze de algemene voorwaarden accepteren. Het ontvangstbewijs van de registratie, dat per e-mail wordt verzonden en de oorspronkelijke factuur met de aankoopdatum vormt het bewijs van de verlengde garantietermijn.
3. De garantie dekt tijdens de garantietermijn alle gebreken van het product vanwege defecten in vakmanschap of materiaal op de aankoopdatum. De garantie is beperkt tot reparatie en/of vervanging en bevat geen andere verplichtingen, waaronder maar niet beperkt tot incidentele of gevolgschade. De garantie is niet geldig als het product is misbruikt, in strijd met de gebruiksaanwijzing wordt gebruikt of onjuist is aangesloten. Deze garantie geldt niet voor:
  - alle schade aan het product die het gevolg is van onjuist onderhoud
  - elk product dat is veranderd of aangepast
  - elk product waar de oorspronkelijke identificatie (handelsmerk, serienummer) is beschadigd, gewijzigd of verwijderd
  - alle schade die is veroorzaakt door het niet opvolgen van de gebruiksaanwijzing
  - elk niet-CE-product
  - elk product waar een poging tot reparatie is gedaan door een niet-erkende professional of zonder voorafgaande toestemming door Technronic Industries.
  - elk product dat is verbonden met een verkeerde voeding (amperage, spanning, frequentie)
  - elk product dat wordt gebruikt met een verkeerd brandstofmengsel (brandstof, olie, oliegehalte)
  - alle schade die is veroorzaakt door externe invloeden (chemisch, fysiek, schokken) of vreemde stoffen
  - normale slijtage van reserveonderdelen
  - ongepast gebruik, overbelasting van het gereedschap
  - gebruik van niet-goedgekeurde accessoires of onderdelen
  - Alle periodieke aanpassingen aan of het onderhoud en reiniging van carburateurs
  - Componenten (onderdelen en accessoires) die onderhevig zijn aan natuurlijke slijtage, waaronder maar niet beperkt tot stootknoppen, aandrijfriemen, koppelingen, messen van hegtrimmers of grasmaaiers, harnas, gaskabel, koolstofborstels, stroomsnoeren, tanden, vittringen, koppelingsspannen, blazers, blaas- en zuigbuizen, zuigzakken en -riemen, geleidingsstaven, zaagkettingen, slangen, koppelingen, mondstukken, wielen, spuitstokken, binnenhaspels, buitenhaspels, snijdraden, bougies, luchtfilters, gasfilters, maaimessen, etc.
4. Voor onderhoud moet het product worden verzonden of gebracht naar een erkend servicestation van RYOBI die voor elk land staan vermeld in de volgende lijst met adressen voor servicestations. In sommige landen zal uw lokale RYOBI-dealer het product verzenden naar de RYOBI-serviceorganisatie. Wanneer u het product naar een servicestation van RYOBI verzendt, moet het product veilig worden verpakt zonder enige gevaarlijke inhoud, zoals benzine, met het adres van de afzender en vergezeld van een korte beschrijving van het defect.
5. Een reparatie/vervanging die onder deze garantie valt is gratis. Het vormt geen verlenging of een nieuwe start van de garantietermijn. Verwisselde onderdelen of gereedschappen worden ons eigendom. In sommige landen moeten de verzendkosten door de afzender worden betaald. Uw wettelijke rechten die voortvloeien uit de aankoop van het gereedschap blijven onaangetast.
6. Deze garantie is geldig binnen de Europese Gemeenschap, Zwitserland, IJsland, Noorwegen, Liechtenstein, Turkije, Rusland en het Verenigd Koninkrijk. Buiten deze gebieden moet u contact opnemen met uw erkende RYOBI-dealer om vast te stellen of er een andere garantie van toepassing is.

### GEAUTORISEERD ONDERHOUDSCENTRUM

Elk verzoek of probleem met het product kan worden gericht aan uw lokale geautoriseerde servicecentra (bezoek [www.ryobitools.eu](http://www.ryobitools.eu)) of rechtstreeks aan: Technronic Industries GmbH, Max Eyth Straße 10, 71364 Winnenden, Germany. Vermeld het serienummer en het type product dat op het etiket staat.

## PT CONDIÇÕES DE APLICAÇÃO DA GARANTIA RYOBI

Para além de quaisquer direitos previstos por lei resultantes da compra, este produto está coberto por uma garantia conforme descrição abaixo.

- O período da garantia é de 24 meses para consumidores particulares e inicia-se na data de compra do produto. Esta data tem de ser documentada por uma factura ou por outra prova de compra. O produto foi concebido para e destina-se apenas a consumidores particulares e uso privado. Assim, não é dada garantia em caso de utilização por profissionais ou uso comercial.
- Para uma parte da gama de ferramentas de jardim (AC/DC) existe a possibilidade de prolongamento do período da garantia para além do período descrito acima, mediante registo no Web site [www.ryobitools.eu](http://www.ryobitools.eu). A elegibilidade das ferramentas para prolongamento do período da garantia é claramente visível nas lojas e/ou nas embalagens e está contida na documentação do produto. O utilizador final tem de fazer o registo online das suas ferramentas recém-adquiridas no prazo de 30 dias após a data de compra. O utilizador final pode fazer o registo para prolongamento da garantia no seu país de residência, desde que esteja listado no formulário de registo online e para os casos em que esta opção seja válida. Para além disso, os utilizadores finais têm de autorizar o armazenamento dos dados cujo preenchimento lhes for solicitado online e têm de aceitar os termos e as condições. O recibo de confirmação do registo é enviado por e-mail e, em conjunto com a factura original ostentando a data de compra, servirá de prova do prolongamento da garantia.
- A garantia cobre todos os defeitos do produto durante o período da garantia devidos a defeitos de fabrico ou de material à data da compra. A garantia está limitada à reparação e/ou substituição e não inclui quaisquer outras obrigações, incluindo mas não se limitando a, perdas complementares ou indirectas. A garantia não é válida se o produto tiver sido utilizado incorrectamente, utilizado de forma contrária ao Manual de Instruções ou se as respectivas ligações tiverem sido feitas incorrectamente. Esta garantia não se aplica ao seguinte:
  - quaisquer danos ao produto que sejam resultado de manutenção incorrecta
  - qualquer produto que tenha sido alterado ou modificado
  - qualquer produto cujas marcações de identificação de origem (marca comercial, número de série) tiverem sido apagadas, alteradas ou retiradas
  - quaisquer danos causados pelo incumprimento do Manual de Instruções
  - qualquer produto que não seja da Comunidade Europeia
  - qualquer produto ao qual tenha sido feita, ou tentada fazer, uma reparação por outra pessoa que não um profissional habilitado ou sem autorização prévia da Techntronic Industries.
  - qualquer produto ligado a uma fonte de alimentação eléctrica incorrecta (Amperes, Voltagem e Frequência)
  - qualquer produto utilizado com uma mistura de combustível incorrecta (combustível, óleo, percentagem de óleo)
  - qualquer dano causado por influências externas (químicas, físicas, impactos) ou substâncias estranhas
  - desgaste e degradação normal de sobresselentes
  - utilização incorrecta, sobrecarga da ferramenta
  - utilização de acessórios ou peças não aprovados
  - quaisquer ajustes periódicos a, ou limpeza de manutenção de, carburadores
  - Componentes (peças e acessórios) sujeitos a desgaste e degradação natural, incluindo mas não se limitando a, maçanetas anti-choque, correias de transmissão, embraíagens, lâminas de recortadores de sebes ou cortarelas, arneses, cabos de acelerador, escovas de carvão, cabos eléctricos, dentes, anilhas de feltro, pinos de engate, ventoinhas do soprador, tubos do soprador e do aspirador, cintas e sacos do aspirador, barras de guia, correntes de serra, mangueiras, peças de ligação, bocais de pulverização, rodas, varinhas de pulverização, bobinas interiores, bobinas exteriores, linhas de corte, velas de ignição, filtros do ar, filtros de gasolina, lâminas trituradoras, etc.
- Para assistência, o produto tem de ser enviado para, ou apresentado em, um posto de assistência autorizado RYOBI, conforme listado para cada país na lista de moradas de postos de assistência seguinte. Nalguns países, o seu concessionário RYOBI local encarrega-se de enviar o produto para a organização de assistência RYOBI. Quando enviar um produto para um posto de assistência RYOBI, o produto deve ser embalado de forma segura, sem conter nenhuns conteúdos perigosos (por exemplo, gasolina), marcado com o endereço do remetente e acompanhado por uma breve descrição da avaria.
- Uma reparação/substituição ao abrigo desta garantia é gratuita. Não constitui um prolongamento a, nem um novo início de, o período da garantia. As peças ou ferramentas substituídas tornam-se propriedade nossa. Nalguns países, o remetente terá de pagar os custos de entrega ou a remessa postal. Os seus direitos previstos por lei resultantes da compra da ferramenta mantêm-se inalterados
- Esta garantia é válida na Comunidade Europeia, Suíça, Islândia, Noruega, Liechtenstein, Turquia, Rússia e Reino Unido. Fora destas áreas, entre em contacto com o seu concessionário autorizado RYOBI para determinar se existe outra garantia aplicável.

### CENTRO DE ASSISTÊNCIA AUTORIZADO

Qualquer pedido ou problema relacionado com o produto pode ser encaminhado para os seus centros de reparação autorizados locais (visite [www.ryobitools.eu](http://www.ryobitools.eu)) ou directamente para: Techntronic Industries GmbH, Max Eyth Straße 10, 71364 Winnenden, Germany. Indique o número de série e o tipo de produto impressos na etiqueta.

## DA RYOBI BETINGELSER FOR GARANTI

Udover lovbestemte rettigheder, som resulterer af købet, er dette produkt dækket af en garanti, som anført herunder.

- Garantiperioden er 24 måneder for forbrugere og begynder på den dato, som produktet blev købt. Denne dato skal dokumenteres af en faktura eller andet bevis for køb. Produktet er udelukkende designet og dedikeret til forbrugere og privat brug. Så der ydes ingen garanti i tilfælde af professionel eller kommerciel brug.
- Der er en mulighed for at forlænge garantiperioden for en del af udvalget af haveværktøj (AC/DC), hen over den ovenfor beskrevne periode vha. registrering på hjemmesiden [www.ryobitools.eu](http://www.ryobitools.eu). Betingelsen af værktøjet til forlængelse af garantiperioden er tydeligt vist i butikker og/eller på emballage og indeholdt i produktokumentationen. Slutbrugerens skal registrere hans/hendes nyligt indkøbte værktøj online indenfor 30 dage efter købsdatoen. Slutbrugerens kan registrere sig for den forlængede garanti i sit land, hvis han/hun er opført på den online registreringsformular, hvor denne mulighed er gyldig. Derudover skal slutbrugere give deres samtykke til at opbevare data, som er påkrævet at indtaste online, og de er nødt til at acceptere vilkår og betingelser. Registreringsbekræftelseskvitteringen, som sendes ud på e-mail, og den originale faktura, som viser købsdatoen, vil fungere som bevis for den forlængede garanti.
- Garantien dækker alle defekter, som et produkt måtte have i løbet af garantiperioden, og som skyldes produktionsfejl eller materialefejl på købsdatoen. Garantien er begrænset til reparation og/eller udskiftning og inkluderer ikke andre forpligtelser, inklusiv men ikke begrænset til tilfældige skader eller følgeskader. Garantien er ugyldig, hvis produktet er blevet mistet, brugt uden at overholde vejledningen, eller det er blevet forkeret tilsættet. Denne garanti gælder ikke:
  - Beskadigelse af produktet, som er et resultat af uegnet vedligeholdelse
  - Et produkt der er blevet ændret eller modificeret
  - Et produkt hvor de originale identifikationsmærkninger (varemærke, serienummer) er blevet ødelagt, ændret eller fjernet.
  - Enhver beskadigelse forårsaget af manglende overholdelse af vejledningen
  - Ethvert ikke CE-produkt
  - Ethvert produkt som er blevet forsøgt repareret af en ukvalificeret professionel eller uden tidligere autorisation af Techntronic Industries.
  - Ethvert produkt som er tilsættet uegnet strømforsyning (ampere, spænding, frekvens)
  - Ethvert produkt som bruges med uegnet brændstofblanding (brændstof, olie, procentdel olie)
  - Enhver skade forårsaget af ekstern påvirkning (kemisk, fysisk, chok) eller fremmedelementer
  - Normal slid på reservedele
  - Uegnet brug, overbelastning af værktøjet
  - Brug af ikke-godkendt tilbehør eller dele
  - Alle regelmæssige justeringer eller vedligeholdelsesrengøring af karburatorer
  - Komponenter (dele og tilbehør) som er udsat for naturlig slid og ælde, inklusiv men ikke begrænset til drejeknapper, drivrem, greb, klinger til hæktrimmere eller plæneklippere, sele, kabel gasspjæld, kulbørster, elledning, tænder, filtskiver, ophængstapper, blæseventilatorer, blæser- og sugeslanger, sugepose og stropper, styrestænger, savkæder, slanger, forbindelsespakninger, sprøjtedyser, hjul, sprøjtestave, indvendige ruller, udvendige ruller, udvendige spoler, skærelinjer, tændrør, luftfiltre, gasfiltre, tildækningsblade etc.
- For eftersyn skal produktet sendes til eller præsenteres for en RYOBI-autoriseret service værksted, som er oplyst for hvert land i den følgende liste over service værksted adresser. I nogle lande påtager din lokale RYOBI-forhandler sig ansvaret for at sende produktet til RYOBI-serviceorganisationen. Når et produkt sendes til en RYOBI-service værksted, skal det pakkes sikkert ind uden noget farligt indhold som benzin, mærkes med afsenderens adresse og med en kort beskrivelse af fejlen.
- En reparation/erstatning under denne garanti er gratis. Den udgør ikke en forlængelse eller en ny start på garantiperioden. Udvekslede dele eller værktøjer bliver vores ejendom. I nogle lande skal leveringsafgifter eller porto betales af afsenderen. Dine lovbestemte rettigheder i forbindelse med købet forbliver uanfægtede
- Denne garanti gælder i EU, Schweiz, Island, Norge, Liechtenstein, Tyrkiet, Rusland og Storbritannien. Udenfor disse områder bedes du kontakte din autoriserede RYOBI-forhandler for at afgøre, om en anden garanti gælder.

### AUTORISERED SERVICEVÆRKSTEDER

Enhver anmodning eller problem angående produktet kan adresseres til dine lokale autoriserede servicecentre (gå ind på [www.ryobitools.eu](http://www.ryobitools.eu)) eller direkte til: Techntronic Industries GmbH, Max Eyth Straße 10, 71364 Winnenden, Germany. Angiv serienummer og produkttype, der er trykt på etiketten.

## SV RYOBI ANVÄNDNINGSVILLKOR FÖR GARANTI

Förutom eventuella lagstadgade rättigheter som uppstår genom köpet, täcks den här produkten av en garanti som anges nedan.

- Garantiperioden är 24 månader för konsumenter och börjar gälla från det datum då produkten köptes. Detta datum måste dokumenteras på en faktura eller annat köpbevis. Produkten är utformad och avsedd för konsumenter och privat bruk. Därmed tillhandahålls ingen garanti vid yrkesmässigt eller kommersiellt bruk.
- Det finns möjlighet att förlänga garantiperioden för en del av utbudet för trädgårdsverktyg (AC/DC) under den period som anges ovan genom att använda registreringen på webbplatsen [www.ryobitools.eu](http://www.ryobitools.eu). De verktyg som är berättigade till en förlängning av garantiperioden visas tydligt i butik och/eller på förpackningen/och anges i produktdokumentationen. Slut användaren behövs registrera hans/hennes nyförvärvade verktyg online inom 30 dagar från köpdatumet. Slut användaren kan registrera sig för den förlängda garantin i det land där han/hon bor om landet finns angivet i registreringsformuläret online och där detta alternativ är giltigt. Dessutom måste slut användaren ge sitt medgivande till lagring av data vilket krävs vid registrering online samt acceptera villkoren. Bekräftelsekvittot för registreringen som skickas ut via e-post och originalfakturan som visar köpdatumet kommer att gälla som bevis för den förlängda garantin.
- Garantin täcker alla produktdefekter under garantiperioden som beror på brister i utförande eller material vid köpdatumet. Garantin är begränsad gällande reparation och/eller utbyte och inkluderar inte några skyldigheter inklusive men inte begränsat till oförutsedda skador eller följdskador. Garantin är inte giltig om produkten har missbrukats, använts i strid med bruksanvisningen eller inte anslutits på rätt sätt. Denna garanti täcker inte:
  - eventuella skador på produkten som uppstått till följd av felaktigt underhåll
  - produkter som har ändrats eller modifierats
  - produkter där ursprungliga identifieringsmärkning (varumärke, serienummer) har målats över, ändrats eller tagits bort
  - eventuella skador som uppstått till följd av att bruksanvisningen inte efterföljts
  - alla icke CE-produkter
  - eventuella produkter som har försökts repareras av en icke-kvalificerad yrkesman eller utan föregående medgivande från Technronic Industries.
  - eventuella produkter som anslutits till felaktig strömförsörjning (ampere, volt, frekvens)
  - eventuella produkter som använts med olämplig bränsleblandning (bränsle, olja, oljeprocent)
  - eventuella skador som uppstått till följd av yttre påverkan (kemisk, fysisk, stöt) eller främmande ämnen
  - normalt slitage av reservdelar
  - olämplig användning, överbelastning av verktyget
  - användningen av icke-godkända tillbehör eller delar
  - Eventuella periodiska justeringar av eller vid underhållsrengöring av förgasare
  - Komponenter (delar och tillbehör) är föremål för naturligt slitage, inklusive men inte begränsat till tryckknappar, drivremmar, koppling, blad till kantrimrar eller gräsklippare, sele, gasreglagevajer, kolborstar, strömladd, spetsar, filbrickor, kopplingsprint, blåsfäkt, blås- och sugrör, sugpåse och remmar, styrskenor, sägkedjor, slangar, anslutningsdonördel, spraymunstycken, hjul, spraystavar, innerullar, ytterspolar, skärtråd, tändstift, luftfilter, gasfilter, spröydelningsblad osv.
- Vid service måste produkten skickas eller uppvisas för en RYOBI- auktoriserad servicecenter som står angiven för varje land i följande adresslista över servicestationer. I vissa länder tar din lokala RYOBI- återförsäljare på sig ansvaret att skicka produkten till RYOBI- serviceorganisationen. När en produkt skickas till en RYOBI- servicecenter, ska produkten paketeras säkert utan något farligt innehåll såsom bensin, markeras med avsändarens adress samt en kort beskrivning av felet.
- En reparation/ett utbyte under denna garanti är kostnadsfri. Det utgör inte en förlängning eller förymelse av garantiperioden. Utbyta delar eller verktyg blir vår egendom. I vissa länder måste leveranskostnader eller porto betalas av avsändaren. Dina lagstadgade rättigheter som härrör från köpet av verktyget förblir opåverkade
- Denna garanti är giltig i Europeiska gemenskapen, Schweiz, Island, Norge, Liechtenstein, Turkiet, Ryssland och Storbritannien. Utanför dessa länder, kontakta din auktoriserade RYOBI- återförsäljare för att avgöra om en annan garanti gäller.

### AUKTORISERAT SERVICECENTER

Varje begäran eller problem avseende produkten kan adresseras till ditt lokala auktoriserade servicecenter (besök [www.ryobitools.eu](http://www.ryobitools.eu)) eller direkt till: Technronic Industries GmbH, Max Eyth Straße 10, 71364 Winnenden, Germany. Ange serienumret och produkttypen som anges på etiketten.

## FI RYOBI-TAKUUN SOVELTAMISEHDOT

Tällä tuotteella on oston luomien lakisäästeiden oikeuksien ohella alla mainitun mukainen takuu.

- Takuun kesto on kuluttajille 24 kuukautta ja takuuaika alkaa tuotteen ostohetkestä. Tämän päivämäärän tulee lukea laskussa tai muussa ostotositteesta. Tuote on suunniteltu ja tarkoitettu vain kuluttajien ja yksityiseen käyttöön. Takuu ei siis kata ammatti- eikä kaupallista käyttöä.
- Joidenkin putarhätökalujen (AC/DC) takuun kesto on mahdollista laajentaa yllä mainittua kesto pidemmäksi verkkoosivuston [www.ryobitools.eu](http://www.ryobitools.eu) rekisteröinnin kautta. Työkalujen kelpoisuus takuujakson laajennukseen näkyy selkeästi myymälöissä ja/tai pakkauksissa ja/tai tämä tieto sisältyy tuotedokumentaation. Loppukäyttäjän täytyy rekisteröidä vasta hankittu työkalu internetissä 30 päivän kuluessa ostopäivämäärästä. Loppukäyttäjää voi rekisteröidä laajennetun takuun kolmea kertaa, jos se on tueltuella online-rekisteröintilomakkeessa, jossa mainitaan, missä tämä vaihtoehto on voimassa. Loppukäyttäjien täytyy lisäksi hyväksyä tietojen tallennus, jotka heidän täytyy antaa online-tilassa sekä ehdot. Rekisteröinnin vahvistuskuitti, joka lähetetään sähköpostitse, ja alkuperäinen ostopäivämäärän ilmaiseva lasku toimivat laajennetun takuun tositteina.
- Takuu kattaa kaikki tuotteenen takuuajana tulevat viat, joiden aiheuttajina ovat tuotteen ostopäivänä olleet valmistus- tai materiaaliviat. Takuu on rajoitettu korjaukseen jalkien vaihtoon eikä se sisällä mitään mutta velvoitteita mukaan lukien satunnais- ja seurannaisvahinkoja, mutta rajoittumatta niihin. Takuu ei päde, jos tuotetta on käytetty väärin, käyttöohjeeseen vastaisesti tai jos se on liitetty virheellisesti. Tämä takuu ei kata:
  - virheellisestä huollosta johtuvia vaurioita
  - muunnuttua tai muutettua tuotetta
  - tuotetta, jonka alkuperäiset tunnistemerkinnät (tavaramerkki, sarjanumero) on turmeltu, muutettu tai poistettu
  - tämän käyttöoppaan laiminlyönnistä johtuvia vaurioita
  - ei-CE-tuotetta
  - tuotetta, jota on yrittänyt korjata epäpätevä ammattilainen tai joka on korjattu ilman Technronic Industriesin ennakkolupa.
  - tuotetta, joka on liitetty virheelliseen teholahteteseen (ampeirit, jännite, taajuus)
  - tuotetta, jossa on käytetty väärää polttoaineseosta (polttoaine, öljy, öljyprosentti)
  - ulkoisten vaikutusten (kemiallinen, fyysinen, iskut) tai vieraiden aineiden aiheuttamaa vauriota
  - normaaleja kuluja vaurioita
  - virheellistä käyttöä, työkalun ylikuormitusta
  - ei-hyväksytyjen tarvikkeiden tai osien käyttöä
  - Kaasutinten säännöllistä säätöä tai ylläpitävää puhdistusta
  - Luonnollisesti kuluja komponentteja (osia tai tarvikkeita), joihin sisältyvät puskunipit, käyttöihinat, kytkin, pensasleikkurien tai ruohonleikkurien terät, valjaat, kaasuvaijeri, hihlarajat, virtajohto, piikit, huopatiivisteet, sokkapatit, puhallinten tuulettimek, puhallin- ja imu-puikot, muurin säkit ja ihinat, terälevyt, sahankeijut, leikut, liinostat, siuhkusuttimet, pyörät, ruiskutuspuikot, sisä- ja ulkoeläet, leikkusuomitt, hehkutulpat, ilmansuodattimet, kaasusuodattimet, siipputerät yms. näihin kuitenkin rajoittumatta.
- Tuote on lähetettävä huollettavaksi valtuutettuun RYOBI-huoltoon tai näytettävä siellä. Niiden ositteet kussakin maassa löytyvät seuraavasta luettelosta. Joissakin maissa paikallinen RYOBI-jälleenmyyjä huolehtii tuotteen lähetyksestä RYOBI-huolto-organisaatioon. Kun tuote lähetetään RYOBI-huoltoon, se täytyy pakata hyvin ilman vaarallisia aineita, kuten polttoainetta, ja pakkaukseen täytyy merkitä lähettäjän nimi sekä vian lyhyt kuvaus.
- Takuun kattama korjaus/vaihto on maksuton. Se ei tarkoita takuuajan laajennusta tai alkamista alusta. Vaihdetut osat tai työkalut siirtyvät valmistajan omistukseen. Joissakin maissa lähettäjän täytyy maksaa lähetyskustannukset tai postikulut. Työkalun oston luomat lakisäästeiset oikeudet pysyvät koskemattomina
- Tämä takuu on voimassa Euroopan yhteisössä, Sveitsissä, Islannissa, Norjassa, Liechtensteinissa, Turkissa, Venäjällä ja Yhdistyneessä kuningaskunnassa. Osa näiden alueiden ulkopuolella yhteyttä omaan valtuutettuun RYOBI-jälleenmyyjään ja selvitä, onko jotain muuta takuuta.

### VALTUUTETTU HUOLTO

Kaikki tuotteenen liittyvät pyynnöt tai kysymykset voidaan osoittaa paikallisille valtuutetuille huoltoilikoille (katso [www.ryobitools.eu](http://www.ryobitools.eu)) tai suoraan osoitteeseen: Technronic Industries GmbH, Max Eyth Straße 10, 71364 Winnenden, Germany. Ilmoita tarraan painettu sarjanumero ja tuotetyyppi.



## NO RYOBI GARANTIBETINGELSER

I tillegg til eventuelle lovbestemte rettigheter som følger av kjøpet, er dette produktet dekket av en garanti som angitt nedenfor.

- Garantiperioden er 24 måneder for konsumenter og gjelder fra den datoen som produktet ble kjøpt. Denne datoen skal dokumenteres med en faktura eller annet kjøpsbevis. Produktet er designet og beregnet kun til konsument- og privat bruk. Så det gis ingen garanti ved profesjonell eller kommersiell bruk.
- For en del av utvalget av hageverktøy (AC/DC) er det mulighet til å utvide garantiperioden i den perioden som er beskrevet ovenfor ved bruk av registreringer på nettsidene [www.ryobitools.eu](http://www.ryobitools.eu). Kvalifisering av verktøyene for en utvidelse av garantiperioden er tydelig vist i butikker og/eller på pakningen / og finnes innen produktokumentasjonen. Sluttbrukeren må registrere sine nylig anskaffede verktøy online innen 30 dager etter kjøpsdato. Sluttbrukeren kan registrere seg for den utvidede garantien i sitt land hvis det er opplistet på online registreringsskjemaet der dette alternativet er gyldig. Videre må sluttbrukere gi sitt samtykke til oppbevaring av dataene som kreves for å gå online, og de må godta vilkår og betingelser. Registreringsbekreftelsen, som sendes ut på e-post, og den originale fakturaen som viser forårsdato, vil tjene som bevis for den utvidede garantien.
- Garantien dekker alle defekter i produktet under garantiperioden på grunn av defekter i utførelse eller materiale på kjøpsdato. Garantien er begrenset til å reparere og/eller erstatte og inkluderer ikke noen andre forpliktelser, inkludert, men ikke begrenset til, tilfeldige eller følgesmessige skader. Garantien er ikke gyldig hvis produktet har blitt misbrukt, brukt på annen måte enn det som beskrives i bruksanvisningen eller er koblet til på feil måte. Denne garantien gjelder ikke for:
  - enhver skade på produktet som er resultat av utilstrekkelig vedlikehold
  - ethvert produkt som har blitt endret eller modifisert
  - ethvert produkt der de originale identifiseringsmerkene (varemerke, serienummer) har blitt uleselig, er endret eller fjernet
  - enhver skade som forårsakes av ikke-overholdelse av instruksjonshåndboken
  - ethvert ikke-CE-produkt
  - ethvert produkt som har blitt forsøkt reparert eller av en ikke-kvalifisert fagperson eller uten tidligere autorisasjon fra Technonic Industries.
  - ethvert produkt tilkoblet feil strømforsyning (ampere, spenning, frekvens)
  - ethvert produkt som brukes med feil drivstoffblanding (drivstoff, olje, prosentandel olje)
  - enhver skade som er forårsaket av eksterne påvirkninger (kjemiske, fysiske, støt) eller fremmede stoffer
  - normal slitasje og sliteserservedeler
  - feil bruk, overbelastning av verktøyet
  - bruk av ikke-godkjent tilbehør eller deler
  - Eventuelle periodiske justeringer av eller vedlikeholdsrengjøring av forbrennere
  - Komponenter (deler og tilbehør) som er underlagt naturlig slitasje, inkludert, men ikke begrenset til bulkknøtter, drivreimer, clutch, blader på hekktrimmere eller gressklippere, seler, kabelspjeld, karbonbørster, strømledning, kniver, feltpakninger, heispinner, blåsevisfler, blåse- og vakuumslang, vakuumpose og reimer, førerstenger, sagkjeder, strømpjer, koblingsmonteringer, spraydyser, hjul, spraystenger, indre spoler, ytre spoler, kuttelinjer, tennplugg, luftfilter, gassfilter, mulchingblader osv.
- For service må produktet sendes eller fremlegges for en RYOBI-autorisert servicestasjon opplistet for hvert land i den følgende listen over servicestasjonsadresser. I noen land sender den lokale RYOBI-forhandleren produktet til RYOBI servicorganisasjonen. Ved å sende et produkt til en RYOBI servicestasjon skal produktet være sikkert pakket uten noe farlig innhold, slik som bensin, merket med senderens adresse og fulgt av en kort beskrivelse av feilen.
- En reparasjon/erstatning under denne garantien er gratis. Den utgjør ingen forlengelse eller en ny start av garantiperioden. Utvekslede deler eller verktøy blir vår eiendom. I noen land vil leveringskostnader eller franking måtte betales av senderen. Dine lovbestemte rettigheter som oppstår fra kjøp av verktøyet forblir uberørt.
- Denne garantien er gyldig i EU, Sveits, Island, Norge, Liechtenstein, Tyrkia, Russland og Storbritannia. Utenfor disse områdene ta kontakt med din autoriserte RYOBI-forhandler om en annen garanti gjelder.

### AUTORISERT SERVICESTASJON

Enhver forespørsel eller problem med produktet kan henvises til de lokale autoriserte servicestasjonene (se [www.ryobitools.eu](http://www.ryobitools.eu)) eller direkte til: Technonic Industries GmbH, Max Eyth Straße 10, 71364 Winnenden, Germany. Angi serienummer og produkttype som er trykket på etiketten.

## RU УСЛОВИЯ ПРИМЕНЕНИЯ ГАРАНТИИ НА ПРОДУКЦИЮ RYOBI

Помимо законных прав, возникающих при покупке, данное изделие покрывается гарантией в соответствии с приведенными ниже пунктами.

- Гарантийный период для покупателя составляет 24 месяца с даты покупки изделия. Дата покупки должна быть подтверждена полностью заполненным гарантийным талоном и чеком о покупке. Данное изделие предназначено только для частного использования покупателем. Поэтому гарантия не распространяется на использование в профессиональных или коммерческих целях.
- Предусмотрена возможность продления для части изделий линейки садовых инструментов (AC/DC) гарантийного периода с помощью регистрации на сайте [www.ryobitools.eu](http://www.ryobitools.eu). Право инструмента на продление гарантийного периода четко указано в магазинах и / или на упаковке / и содержится в сопутствующем инструменту документации. Конечный пользователь должен зарегистрировать свой приобретенный инструмент в течение 30 дней с даты покупки. Конечный пользователь может зарегистрировать свой инструмент на продление гарантии в стране своего проживания, если она указана в форме онлайн-регистрации. Кроме того, конечный пользователь должен дать свое согласие на хранение данных, которые необходимо ввести в онлайн-форму и принять правила и условия. Подтверждение регистрации, которое вы получите по электронной почте, заполненный гарантийный талон и оригинальный чек, в котором указана дата покупки, будут служить доказательством продленной гарантии.
- Гарантия покрывает в течение гарантийного периода все дефекты качества или материала изделия на дату покупки. Гарантия ограничена ремонтом и / или заменой и не включает никакие другие обязательства, включая, но не ограничиваясь случайными или косвенными убытками. Гарантия становится недействительной, если изделие использовалось не по назначению, вопреки инструкциям, данным в Руководстве пользователя или было неправильно подключено. Настоящая гарантия не распространяется на:
  - любые повреждения изделия в результате неправильного технического обслуживания или недостаточного ухода за инструментом
  - любые изделия, подвергшиеся изменениям и модификации
  - любые изделия, оригинальные идентификационные отметки которого (торговая марка, серийный номер) были повреждены, изменены или удалены
  - любые повреждения, вызванные несоблюдением инструкций Руководства пользователя
  - любые изделия, не сертифицированные маркировкой "CE" для продажи в Европейском союзе
  - любые изделия, подвергшиеся попыткам ремонта неквалифицированным работником или без предварительного утверждения компанией Technonic Industries.
  - любые изделия, подключенные к неправильному источнику питания (сила тока, напряжение, частота)
  - любые изделия, в которых использовались несоответствующие топливные смеси (топливо, масло, процент масла)
  - любые повреждения, вызванные внешними воздействиями (химические, физические, удары) или посторонними веществами
  - естественный износ запасных деталей
  - несоответствующее использование, перегрузка инструмента
  - использование неутвержденных аксессуаров и неоригинальных запасных деталей
  - любые регулярные регулировки, техническое обслуживание или чистка карбюраторов
  - компоненты (детали и аксессуары), подверженные естественному износу, включая, но не ограничиваясь фиксаторы шпильки приводные ремни, сдельные муфты, лезвия триммеров и газонокосилок, плевачные ремни, кабельный дроссельный регулятор, угольные щетки, кабели питания, зубья, войлочные шайбы, фиксирующие шпильки, вентиляторы воздушной заслонки, трубки воздушной заслонки и пылесоса, мешок для сбора мусора и ремни, пыльные шины, пыльные цепи, шланги, соединительные детали, распылительные насадки, колеса, распылительные переходники, внутренние катушки и шпули, режущую леску, свечи зажигания, воздушные и топливные фильтры, мульчирующие лезвия и др.
- Для проведения технического обслуживания изделие следует направлять в авторизованные сервисные центры RYOBI, указанные для каждой страны в приведенном ниже списке адресов станций сервисного обслуживания. В некоторых странах местные дилеры RYOBI отправляют изделия в сервисные организации RYOBI. При отправке изделия в сервисный центр RYOBI, изделие должно быть безопасно упаковано и не содержать никаких опасных веществ, таких как бензин, должен быть подписан адрес отправителя и сопровождаться кратким описанием неисправности.
- Ремонт / замена проводится в рамках настоящей гарантии бесплатно. Он не продлевает гарантию и не начинает новый гарантийный период. Замененные детали и инструменты становятся нашей собственностью. В некоторых странах отправитель должен оплачивать стоимость отправки. Ваши законные права, возникшие при покупке инструмента, остаются неизменными.
- Настоящая гарантия действительна в Европейском Сообществе, Швейцарии, Исландии, Норвегии, Лихтенштейне, Турции, России и Великобритании. Вне указанных территорий обращайтесь к своему авторизованному дилеру RYOBI, чтобы узнать, применяются ли условия каких-либо других гарантий.

### УПОЛНОМОЧЕННЫЙ СЕРВИСНЫЙ ЦЕНТР

При возникновении проблем с изделием обращайтесь в один из региональных авторизованных сервисных центров (см. [www.ryobitools.eu](http://www.ryobitools.eu)) или напрямую: Technonic Industries GmbH, Max Eyth Straße 10, 71364 Winnenden, Germany. Укажите серийный номер и тип изделия, указанные на табличке.



## PL WARUNKI GWARANCJI RYOBI

Oprócz praw ustawowych wynikających z zakupu produkt jest objęty gwarancją, której warunki podano poniżej.

1. Okres gwarancyjny wynosi 24 miesiące dla konsumentów i rozpoczyna się w dniu zakupu produktu. Datę zakupu należy udokumentować fakturą lub innym dowodem zakupu. Produkt został zaprojektowany i jest przeznaczony do użytku konsumenckiego i prywatnego. W związku z tym gwarancja nie obejmuje zastosowań profesjonalnych i komercyjnych.
2. Istnieje możliwość wyłączenia okresu gwarancyjnego dla części asortymentu narzędzi ogrodniczych (AC/DC) poprzez zarejestrowanie produktu na stronie internetowej [www.ryobitools.eu](http://www.ryobitools.eu). Kwalifikowalność narzędzi do wyłączenia okresu gwarancyjnego jest wyraźnie określona w sklepach i/lub na opakowaniu oraz w dokumentacji produktu. Użytkownik końcowy musi zarejestrować nowo kupione narzędzia online w ciągu 30 dni od daty zakupu. Użytkownik końcowy może zarejestrować się w celu przedłużenia gwarancji w swoim kraju zamieszkania, jeżeli jest on wymieniony w formularzu rejestracji online, gdzie opcja ta obowiązuje. Ponadto użytkownicy końcowi muszą wyrazić zgodę na przechowywanie danych, wprowadzanych na stronie internetowej i zaakceptować regulamin. Dowodem wyłączenia gwarancji jest wysłane pocztą elektroniczną potwierdzenie rejestracji i oryginał faktury potwierdzającej datę zakupu.
3. Gwarancja obejmuje wszystkie wady produktu ujawnione w okresie gwarancyjnym wynikające usterek wykonania lub materiału obecnych w dniu zakupu. Gwarancja jest ograniczona do naprawy i/lub wymiany i nie obejmuje żadnych innych zobowiązań, w tym między innymi odpowiedzialności za szkody przypadkowe lub wtórne. Gwarancja nie obowiązuje, jeżeli produkt był nieprawidłowo używany, używany niezgodnie z instrukcją lub nie był prawidłowo podłączony. Gwarancja nie obejmuje:
  - uszkodzenia produktu wynikającego z nieprawidłowej konserwacji,
  - produktu, który został zmieniony lub zmodyfikowany,
  - produktu, którego oryginalne oznaczenie (znak towarowy, numer seryjny) zostało zniszczone, zmienione lub usunięte,
  - jakichkolwiek uszkodzeń wynikających z nieprzestrzegania instrukcji,
  - jakiegokolwiek produktu bez certyfikatu CE,
  - jakiegokolwiek produktu, który było próbковано naprawią z pomocą niewykwalifikowanej osoby lub bez uzyskania wcześniejszej zgody firmy Techtronic Industries.
  - jakiegokolwiek produktu podłączonego nie nieprawidłowego źródła zasilania (nieprawidłowe napięcie prądu, napięcie, częstotliwość),
  - jakiegokolwiek produktu, który był używany z nieprawidłową mieszanką paliwową (paliwo, olej, procentowy udział oleju),
  - jakichkolwiek uszkodzeń spowodowanych wpływem czynników zewnętrznych (chemicznych, fizycznych, drgań) lub substancji obcych,
  - normalnego zużycia części zamiennych,
  - nieprawidłowego użycia, przeciążenia narzędzia,
  - stosowania niezatwierdzonych akcesoriów lub części,
  - jakichkolwiek okresowych regulacji lub czyszczenia gaźników w ramach konserwacji
  - elementów (części i akcesoriów) podlegających naturalnemu zużyciu, obejmujących, między innymi, kopułki do zwalniania żyłki, pasy napędowe, sprężelgo, ostrza przycinarek do żywopłotów lub kosiarzek do trawy, uprzęż, przepustnicę linkową, szcztolki węglowe, przewód zasilania, zęby, podkładki filcowe, kolki podnośnika, wentylatory dmuchawy, rury nadmuchowe i ssawne, worek na śmieci i paski, prowadnice, łańcuchy piły, węże, mocowanie złączcy, dysze natryskowe, koła, przęty natryskowe, szpule wewnętrzne, szpule zewnętrzne, filtry gazu, ostrza do ściółkowania itp.
4. W celu serwisowania produkt należy wysłać lub okazać w autoryzowanym punkcie serwisowym RYOBI znajdującym się na przedstawionym poniżej wykazie punktów serwisowych w poszczególnych krajach. W niektórych krajach lokalny dystrybutor produktów RYOBI podejmuje się wysyłki produktu do centrum serwisowego RYOBI. W przypadku wysyłki do punktu serwisowego RYOBI produkt – pozbawiony jakichkolwiek niebezpiecznych substancji, na przykład benzyny – należy bezpiecznie zapakować i dołączyć adres nadawcy oraz krótki opis usterki.
5. Naprawa/wymiana w ramach niniejszej gwarancji jest bezpłatna. Nie stanowi jednak o przedłużeniu lub rozpoczęciu od nowa biegu okresu gwarancyjnego. Wymienione części lub narzędzia stają się naszą własnością. W przypadku niektórych krajów nadawca będzie musiał uregulować koszty dostawy lub opłaty pocztowe. Prawa ustawowe wynikające z zakupu narzędzia pozostają niezmiennione.
6. Niniejsza gwarancja obowiązuje we Wspólnocie Europejskiej, Szwajcarii, na Islandii, w Norwegii, a także w Liechtensteinie, Turcji, Rosji oraz Zjednoczonym Królestwie Wielkiej Brytanii i Irlandii Północnej. Poza tymi obszarami należy skontaktować się z autoryzowanym dostawcą produktów RYOBI i ustalić, czy obowiązuje inna gwarancja.

### AUTORYZOWANY PUNKT SERWISOWY

Wszelkie zapytania i problemy z produktem można zgłaszać do lokalnych autoryzowanych centrów serwisowych (patrz [www.ryobitools.eu](http://www.ryobitools.eu)) lub bezpośrednio do: Techtronic Industries GmbH, Max Eyth Straße 10, 71364 Winnenden, Germany. Prosimy o podanie wydrukowanego na etykiecie numeru seryjnego oraz typu produktu.

## CS ZÁRUČNÍ PODMÍNKY RYOBI

Kromě zákonných práv vyplývajících z koupě výrobku se na tento výrobek vztahuje také níže uvedené záruka.

1. Záruční doba pro spotřebitele je 24 měsíců a začíná datem nákupu výrobku. Datum musí být zaznamenáno na faktúře nebo jiném dokladu o koupi. Tento výrobek je navržen a určen pouze pro soukromé účely spotřebitelů. Záruka se tedy nevztahuje na profesionální nebo komerční využití výrobku.
2. U některých zahradních nástrojů (AC/DC) je možné záruční dobu prodloužit. K tomu je nutná registrace na stránkách [www.ryobitools.eu](http://www.ryobitools.eu). Možnost prodloužené záruční doby výrobků je jasně uvedena v prodejních, popř. na obalech nebo v dokumentech o výrobku. Koncový uživatel musí svůj nový nástroj zaregistrovat online do 30 dnů od data nákupu. Koncový uživatel se může k prodloužené záruční době zaregistrovat v zemi trvalého pobytu, pokud je tato uvedena na internetovém registračním formuláři u výrobku, kde je tato možnost dostupná. Koncový uživatel musí dále souhlasit s uložením osobních údajů, která musí zadat na internetu, a přijmout obchodní podmínky. E-mail s potvrzením registrace a původní faktura s datem koupě poslouží jako důkaz o prodloužené záruce.
3. Záruka se vztahuje na veškeré vady na výrobku v rámci záruční doby způsobené výrobními vadami nebo vadami materiálu v době koupě. Záruka je omezena na opravu, popřípadě výměnu a nezahrnuje žádné další povinnosti, včetně mimo jiné vedlejších či následných odškodnění. Záruka neplatí při použití výrobku k nevhodným účelům, v rozporu s uživatelskou příručkou nebo při nesprávném zapojení. Záruka se nevztahuje na:
  - veškeré škody na výrobku způsobené nesprávnou údržbou
  - veškeré produkty, které byly pozměněny nebo upraveny
  - veškeré produkty, kde byly původní identifikační prvky (obchodní značka, sériové číslo) poňeny, pozměněny nebo odstraněny
  - veškeré škody způsobené nedodržením pokynů uživatelské příručky
  - veškeré produkty bez CE certifikace
  - veškeré produkty, které se pokusil opravit nekvalifikovaný odborník nebo opravy bez předchozího svolení společnosti Techtronic Industries.
  - veškeré produkty zapojené do nesprávného elektrického zdroje (proud, napětí, frekvence)
  - veškeré produkty používané s nevhodnou palivovou směsí (palivo, olej, procento oleje)
  - veškeré škody způsobené externími vlivy (chemickými, fyzickými, nárazy) nebo cizími látkami
  - běžné opotřebování dílů
  - nevhodné použití, přetěžování nástroje
  - použití neschválených příslušenství nebo dílů
  - veškerá pravidelná seřízení nebo čištění v rámci údržby karburátorů
  - komponenty (díly a příslušenství) podléhající opotřebení, včetně mimo jiné nárazových koleček, posuvných pásů, spojek, nožů plotových nůžek a sekaček na trávu, popruhu, plynového lanka, karbonových kartáčů, napájecího kabelu, zubů, plstěných podložek, závěsných kolíků, větráků fukaru, trubíc fukaru a vysavače, vaku, kol, stříkačích tyčí, vnitřních cívek, plynových kotočů, fezných strun, zapalovačích svíček, vzduchových filtrů, plynových filtrů, mulčovačích nožů atd.
4. K provedení servisu musí být výrobek zašlán nebo předán do autorizovaného servisního centra společnosti RYOBI, jejichž adresy jsou uvedeny podle zemí v seznamu servisních center. V některých zemích za vás výrobek pošle servisní organizaci RYOBI sám prodejce výrobků této značky. Při zasílání výrobku do servisního centra RYOBI je potřeba výrobek bezpečně zabalit bez nebezpečného obsahu jako benzín, opatřit adresou odesílatele a připojit krátký popis závady.
5. Oprava, popř. výměna v rámci této záruky je zdarma. Neznamená to prodloužení nebo začátek nové záruční lhůty. Vyměněné díly nebo nástroje přejdou do našeho vlastnictví. V některých zemích platí poštovné odesílatele. Vaše zákonná práva vyplývající z koupě tohoto nástroje zůstávají nedotčena.
6. Tato záruka platí v Evropském společenství, Švýcarsku, na Islandu, v Norsku, Lichtenštejnsku, Turecku, Rusku a Spojeném království. Mimo tuto území kontaktujte autorizovaného prodejce značky RYOBI, který zjistí, zda se na výrobek vztahuje jiná záruka.

### POVĚŘENÉ SERVISNÍ STŘEDISKO

S požadavky nebo problémy týkajícími se tohoto výrobku se můžete obracet na místní pověřené servisní středisko (podle [www.ryobitools.eu](http://www.ryobitools.eu)) nebo přímo na: Techtronic Industries GmbH, Max Eyth Straße 10, 71364 Winnenden, Germany. Uveďte výrobní číslo a druh výrobku ze štítku.

## HU A RYOBI GARANCIA ALKALMAZÁSÁNAK FELTÉTELEI

A vásárlásból adódó törvényben rögzített jogok mellett a termékre az alábbi garancia vonatkozik.

1. A fogyasztói garancia tartama 24 hónap, mely a termék vásárlásának napjával kezdődik. Ezt a dátumot számlával vagy a vásárlást igazoló egyéb dokumentummal kell bizonyítani. A termék rendeltetése csak fogyasztói és magánéleti használat. Ezért professzionális vagy kereskedelmi használat esetén a garancia nem érvényes.
2. A kerti szerszámok (egyenáramú/váltóáramú) egy részénél a garancia időtartama a [www.ryobitools.eu](http://www.ryobitools.eu) weblapon regisztrálva meghosszabbítható. Az áruházakban, a csomagoláson, illetve a termék dokumentációjában egyértelműen jelzve van, hogy az adott termék garanciája meghosszabbítható-e. A végfelhasználónak a vásárlás dátumától számított 30 napon belül regisztrálnia kell az újonnan vásárolt szerszámot. A végfelhasználó akkor regisztrálhat a kiterjesztett garanciára, ha az ország, ahol lakik, fel van sorolva az online regisztrációs űrlapon azon országok között, ahol választható ez az opció. Ezenkívül a végfelhasználónak bele kell egyeznie az online regisztrálás során szükséges adatok tárolásába, és el kell fogadnia a felhasználási feltételeket. A kiterjesztett garanciát a regisztráció beérkezésétől e-mailben küldött visszaigazolás és a vásárlás dátumát tartalmazó eredeti számla igazolja.
3. A garancia a termék vásárlásakor fennálló, a gyártás során keletkezett hibákra és anyaghibákra érvényes a garanciális időtartam alatt. A garancia csak a javításra/cserére korlátozódik, és nem terjed ki semmilyen egyéb kötelezettségre, nem kizárólagosan ideértve a véletlen vagy szándékos rongálást. A garancia nem érvényes, ha a terméket nem megfelelően, a használati utasításban foglaltakkal ellentétben, illetve nem megfelelően csatlakoztatva használták. A garancia nem vonatkozik:
  - a terméket a nem megfelelő karbantartás következtében ért károsításra
  - megváltoztatott vagy átalakított termékre
  - olyan termékre, melyen az eredeti azonosítókat (védjegy, sorozatszám) megromlították, megváltoztatták vagy eltávolították
  - a használati utasítás be nem tartásából eredő kárra
  - CE jelöléssel nem rendelkező termékekre
  - olyan termékre, melyet nem képzett, illetve a Techtronic Industries által nem feljogosított szerelő javított
  - nem megfelelő (áramerősség, feszültség, frekvenciájú) áramforrásra csatlakoztatott termékre
  - nem megfelelő üzemanyag-keverékkel (üzemanyag, olaj, olaj aránya) használt termékre
  - külső (vegyi, fizikai, ütés) hatásokból vagy idegen anyagokból eredő károkról
  - a cserélhető alkatrészek természetes kopására és elhasználódására
  - a szerzőm helytelen használatára, túlterhelésére
  - nem jóváhagyott tartozékok és alkatrészek használatára
  - A karburátorok rendszeres beállítása, karbantartása, tisztítása
  - A természetes kopásnak és elhasználódásnak kitett alkatrészek és kiegészítők, például (de nem kizárólag) damilodobok, ékszíjak, foglalatok, sövényvágók és fűnyírók kése, heveder, gázbowden, szénkéfék, tápkábel, kultivátorfogak, filcalátétek, akasztószögek, fűvókészülékek ventilátora, fűvókészülék szivócsövek, szivósák és pánrok, terelőrudak, fűrészlánccok, tömlők, csatlakozószerevények, permetezőfejek, kerekek, permetezőszárak, belső dobok, külső csévék, vágódamilok, gyújtógyertyák, légszűrők, gázsűrők, mulcsoskések stb.
4. A terméket javításra el kell vinni egy meghatalmazott RYOBI szervizbe; ezeket az egyes országokhoz a következő listában találja. Egyes országokban a helyi RYOBI kereskedő vállalja a termék elszállítását a RYOBI szervizbe. A terméket veszélyes tartalom, például benzín nélkül csomagolva, a feladói címét feltüntetve, a hiba rövid leírásával együtt küldje el a RYOBI szervizbe.
5. A jelen garancia hatálya alatt végzett javítás, illetve csere ingyenes. Nem jelenti a garanciális időtartam újraindulását. A kicserélt alkatrészek és szerszámok a mi tulajdonunkba kerülnek. Egyes országokban a szállítási vagy postázási költséget a feladó viseli. A vevőnek a szerzőm megvásárlásából adódó törvényes jogai nem változnak.
6. Ez a garancia az Európai Közösségben, Svájcban, Izlandon, Norvégában, Liechtensteinben, Törökországban, Oroszországban és az Egyesült Királyságban érvényes. E területen kívül kérdezze meg a RYOBI forgalmazót, hogy milyen garancia van érvényben.

### HIVATALOS SZERVIZKÖZPONT

Ha bármilyen kérés vagy problémája van a termékkel kapcsolatban, forduljon a helyi hivatalos szervizközponthoz (átogasson el a [www.ryobitools.eu](http://www.ryobitools.eu) oldalra), vagy közvetlenül ide: Techtronic Industries GmbH, Max Eyth Straße 10, 71364 Winnenden, Germany. Adja meg a címkére nyomtatott sorozatszámot és terméktípust.

## RO CONDIȚII DE APLICARE A GARANȚIEI PENTRU PRODUSELE RYOBI

În plus față de condițiile stabilite rezultate din achiziționarea acestui produs, acesta este acoperit de garanția stipulată mai jos.

1. Perioada de garanție este de 24 de luni pentru consumatorii și începe de la data achiziționării produsului. Data de începere a garanției trebuie demonstrată cu o factură sau altă dovadă a cumpărării produsului. Produsul este destinat și conceput doar pentru utilizare în scopuri personale. Din acest motiv, nu se oferă garanție pentru utilizarea sa în scop profesional sau comercial.
2. Există posibilitatea de extindere a perioadei de garanție pentru gama de unelte electrice pentru grădini (de CA/CC) peste perioada stipulată mai sus prin înscrierea produsului pe website-ul [www.ryobitools.eu](http://www.ryobitools.eu). Eligibilitatea pentru perioada de extindere a garanției este afișată în mod clar în magazinele de vânzare și/sau pe ambalaj sau este inclusă în documentația livrată împreună cu produsul. Utilizatorul final este obligat să-și înregistreze produsul online în termen de maxim 30 de zile de la achiziția acestuia. Utilizatorul final poate înregistra produsul pentru garanția extinsă oferită în țara sa de rezidență dacă aceasta este listată în formularul de înregistrare online și dacă această opțiune este validă. În plus, utilizatorii finali trebuie să-și dea acordul pentru stocarea datelor personale solicitate la înregistrarea online și trebuie să accepte termenii și condițiile. Mesajul de confirmare a înregistrării, trimis prin e-mail și factura originală cu data achiziției vor dovedi perioada de garanție extinsă.
3. Garanția acoperă toate defecțiunile produsului survenite în perioada de garanție datorate defectelor de execuție sau materialelor folosite, începând cu data achiziției acestuia. Garanția este limitată la reparare și/sau înlocuire și nu include alte obligații, inclusiv, dar fără a se limita la daune accidentale sau rezultate pe cale de consecință. Garanția își pierde valabilitatea dacă produsul este utilizat necorespunzător, utilizat neconform cu instrucțiunile de utilizare din manualul cu instrucțiuni sau conectat incorect. Garanția nu se aplică în cazul:
  - oricărei defecțiuni survenite în urma întreținerii necorespunzătoare a produsului
  - oricărui produs alterat sau modificat
  - oricărui produs la care inscripțiile cu datele de identificare (marca comercială, numărul de serie) au fost șterse, modificate sau îndepărtate
  - oricărei defecțiuni datorate neconformării cu instrucțiunile din manualul de utilizare
  - oricărui produs necreativ CE
  - oricărui produs asupra căruia au fost efectuate tentative de reparare de către personal necalificat sau fără autorizație prealabilă din partea Techtronic Industries.
  - oricărui produs conectat la o sursă de alimentare necorespunzătoare (curent, tensiune, frecvență)
  - oricărui produs utilizat cu un amestec de carburant necorespunzător (combustibil, ulei, proporții de adaos ulei)
  - oricărui defecțiuni datorate unor influențe externe (chimice, fizice, șocuri) sau substanțe străine
  - uzurii și fisurării normale a pieselor de rezervă
  - utilizării neadevate, suprasolicitarilor uneltei
  - utilizării de piese și accesorii neaprobate
  - Orice operații de curățare sau reglare periodică a carburatoarelor
4. Pentru efectuarea reparațiilor, produsul trebuie trimis sau adus la un centru de reparații autorizat RYOBI din lista următoare de centre de reparații prezentate pentru fiecare țară. În anumite țări, reprezentatul local RYOBI va trimite produsul spre reparare la sediul central de reparații RYOBI. Atunci când trimiteți produsul spre reparare la un centru de reparații RYOBI, acesta trebuie ambalat în siguranță, fără conținut periculos (cum ar fi benzină), marcat cu adresa expeditorului și însoțit de o scurtă descriere a defectului.
5. Repararea/înlocuirea în perioada de garanție este gratuită. Aceasta nu este însoțită de o prelungire sau o reințiere a perioadei de garanție. Piesele sau uneltele schimbate devin proprietatea dvs. În anumite țări, taxele de expediție sau poștale vor fi suportate de expeditor. Drepturile dvs. stabilite rezultate din achiziția produsului rămân neschimbate.
6. Această garanție este valabilă în Comunitatea Europeană, Elveția, Islanda, Norvegia, Liechtenstein, Turcia, Rusia și Marea Britanie. În afara acestor zone, vă rugăm să contactați reprezentantul dvs. local RYOBI pentru a determina dacă se aplică alt tip de garanție.

### CENTRU DE SERVICE AUTORIZAT

Orice întrebare sau problemă în legătură cu produsul se poate adresa la centrele locale autorizate de service (vizitați [www.ryobitools.eu](http://www.ryobitools.eu)) sau direct la: Techtronic Industries GmbH, Max Eyth Straße 10, 71364 Winnenden, Germany. Vă rugăm să specificați numărul de serie și tipul de produs tipărit pe eticheta.



## LV RYOBI GARANTIJAS PIEMĒROŠANAS NOSACĪJUMI

Papildus jebkādam likumiskajām tiesībām, kuras rodas, veicot pirkumu, izstrādājums tiek nodrošināts ar tālāk tekstā noteikto garantiju.

1. Garantijas periods patērētājiem ir 24 mēneši, tāds atskaitē tiek sākta no datuma, kurā veikta izstrādājuma iegāde. Šim datumam jābūt dokumentētam rēķinā vai citā pirkumu apliecinošā dokumentā. Izstrādājums ir radīts un paredzēts tikai patērētāja privātai lietošanai. Saistībā ar iepriekšminēto, garantija netiek nodrošināta profesionālās vai komerciālās lietošanas gadījumā.
2. Pastāv iespēja pagarināt daļas no dārze instrumentu klāsta (Mainstrāvas/akumulatoru) garantiju ilgāk par iepriekš minēto periodu, izmantojot reģistrāciju internetā vietnē [www.ryobitools.eu](http://www.ryobitools.eu). Instrumenti, kas pakļauti garantijas perioda pagarināšanai, tiek skaidri apzīmēti veikalos un/vai uz iepakojuma un izstrādājumu komplektācijā dokumentācijā. Gala lietotājam nepieciešams reģistrēt tā iegādāto jauno instrumentu 30 dienu laikā no pirkuma datuma. Gala lietotājs var reģistrēties pagarinātajai garantijai savā mitnes valstī, ja tā minēta tiešsaistes reģistrācijas veidlapā, kurā šī iespēja ir aktīva. Bez tam, gala lietotājam ir jānodrošina piekrišana tiešsaistes ieviešanas nepieciešamo datu glabāšanai un jāpiekrīt noteikumiem un nosacījumiem. Reģistrācijas apstiprinājums, kas tiek nosūtīts, izmantojot e-pastu, un rēķina oriģināls, kurā norādīts iegādes datums, kalpo kā pagarinātās garantijas apstiprinājums.
3. Garantija attiecas uz visiem izstrādājuma defektiem garantijas periodā, kas saistīti ar ražošanas vai materiālu defektiem no pirkuma datuma. Šī garantija tiek ierobežota ar remontu un/vai nomainu neievērojot jebkādas citas saistības, tajā skaitā, bet ne tikai, cēloniskarīgos vai saistītos bojājumus. Garantija nav spēkā, ja izstrādājums ir nepareizi lietots, izmantots pretējai norādē lietošanas rokasgrāmātā vai bijis nepareizi pieslēgts. Šī garantija netiek attiecināta uz:
  - jebkādiem izstrādājuma bojājumiem, kas radušies nepareizas uzturēšanas rezultātā
  - jebkuru izstrādājumu, kas ticis pārveidots vai mainīts
  - jebkuru izstrādājumu, kura oriģinālās identifikācijas (preču zīme, sērijas numurs) marķējums ir ticis nodzēsts, mainīts vai noņemts
  - jebkādiem bojājumiem, kuri radušies neievērojot norādes lietošanas rokasgrāmātā
  - jebkādam izstrādājumam bez CE sertifikācijas
  - jebkuru izstrādājumu, kura oriģinālās identifikācijas (preču zīme, sērijas numurs) marķējums ir ticis nodzēsts, mainīts vai noņemts
  - jebkuru izstrādājumu, kurš bijis pieslēgts neatbilstošo parametru (strāvas, sprieguma, frekvences) sprieguma avotam
  - jebkuru izstrādājumu, kurš bijis izmantots ar nepareizu degvielas maisījumu (degviela, eļļa, eļļas procentuālais saturs)
  - jebkuriem bojājumiem, kuri radušies ārējās iedarbības (ķīmiskas, fiziskas, triecieni) vai vielu ietekmē
  - detaļu normāla lietošanas nodiluma rezultātā
  - nepareizas lietošanas vai instrumentu pārslodzes rezultātā
  - neapstiprinātu detaļu vai aprīkojuma lietošanas rezultātā
  - jebkādos periodiskus karburatoru regulēšanas darbus vai apkopes tīrīšanu
  - Komponentus (daļas un aksesuārus), kas pakļauti dabīgām nodilumam, ieskaitot, bet neaprobežojoties ar atsitiena pogām, piedziņas siksnām, sajūgiem, krūmu šķēru un plaujašmašīnu asmeņiem, uzķabēm, drošību trosītem, oglekļa sukām, elektrības vadiem, tapām, filca aplākšņiem, sakabes tapām, pūteja ventilatoriem, pūteja un sūkšanas caurulēm, savākšanas maisiņiem un siksnām, vadotņu plankām, zaģu ķēdēm, šūtenēm, savienojumu uzgaļiem, izsmidzinātāja uzgaļiem, rīteniem, izsmidzinātāja caurulēm, iekšējām spoļēm, ārējām spoļēm, plaušanas auklām, aizdedzēs svečēm, gaisa filtriem, degvielas filtriem, mulčēšanas asmeņiem, utt.
4. Servisa nodrošināšanai, izstrādājums ir jānodod pilnvarotā RYOBI servisa centrā, kas norādīts katrai valstij tālāk minētajā servisa centru adresē sarakstā. Dažās valstīs jūsu vietējais RYOBI izplatītājs uzņemas izstrādājuma nosūtīšanu uz RYOBI servisa organizāciju. Nosūtīt izstrādājumu uz RYOBI servisa centru, izstrādājuma jābūt droši iepakotam, kas nodrošinās saturēt bīstamas vielas kā degvielu, sūtījumam jābūt marķētam ar sūtītāja adresi un īsu kļūmes aprakstu.
5. Remonts/nomaina šīs garantijas ietvaros ir bezmaksas. Tas nerada garantijas perioda pagarināšanu vai jaunu garantiju. Nomainītās daļas vai instrumentu kļūst par mūsu īpašumu. Dažas valstīs piegādes vai pasta izmaksas būs jāapmaksā sūtītājam. Jūsu likumiskās tiesības, kas nodrošinās, iegādājoties instrumentu, paliek nemainīgas
6. Šī garantija ir spēkā Eiropas Kopienā, Šveicē, Islandijā, Lichtenšteinā, Turcijā, Krievijā un Apvienotajā Karalistē. Ārpus šīm teritorijām, lūdzu, sazinieties ar jūsu pilnvaroto RYOBI izplatītāju, lai noteiktu, vai ir piemērojama cita garantija.

### AUTORIZĒTS APKALPOŠANAS CENTRS

Ar jebkuru pieprasījumu vai problēmu, kas saistīta ar produktu, var vērsties Jūsu vietējā pilnvarotajā servisa centrā (apmeklējiet [www.ryobitools.eu](http://www.ryobitools.eu)) vai tieši pie: Technonic Industries GmbH, Max Eyth StraÙe 10, 71364 Winnenden, Germany, Lūdzu, norādiet sērijas numuru un produkta tipu, kas norādīts uz etiķetes.

## LT „RYOBI“ GARANTIJOS TAIKĀMO SĀLYGOS

Papildant bet kokias įstatymuose numatytas perkant atsirandancias teises, šiam įrenginiui taikoma toliau nurodyta garantija.

1. Vartotojams suteikiama 24 mėnesių trukmės garantija nuo įrenginio įsigijimo datos. Ši data turi būti nurodyta sąskaitoje faktūroje ar kitame pirkimą įrodančiame dokumente. Šis įrenginys skirtas tik vartotojų rinkai ir asmeniniam naudojimui. Todėl garantija netaikoma, jei įrenginys naudojamas profesionalūs ar komercinems reikmėms.
2. Įsigijus tam tikrus sudedamuosius įrenginius (AC/DC), suteikiama galimybė pratęsti garantiją, kad ji galiojot ilgiau, nei nurodyta pirmiau, naudojantis registracija interneto svetainėje [www.ryobitools.eu](http://www.ryobitools.eu). Ar galima pratęsti įrenginio garantinį laikotarpį, aiškiai nurodoma parduotuvėse ir (arba) ant įrenginio pakuočės, ir (arba) įrenginio dokumentuose. Galutinis naudotojas turi užregistruoti savo naujai įsigytą įrenginį per 30 dienų nuo įsigijimo datos. Galutinis naudotojas gali registruotis išplėstinei garantijai savo gyvenamojoje šalyje, jei ji nurodyta internetinėje registracijos formoje, kurioje siūdoma tokia galimybė. Be to, galutiniai naudotojai turi sutikti su duomenų, kuriuos reikia įvesti internetu, saugojimu ir svetainės naudojimo sąlygomis. Kaip išplėstinės garantijos įrodymą naudojamos registracijos patvirtinimo kvitas, atsiunčiamas el. paštu, ir originali sąskaita faktūra, kurioje nurodyta įsigijimo data.
3. Ši garantija apima visus garantiniu laikotarpiu aptiktus įrenginio trūkumus, atsiradusius dėl gamybos arba medžiaginių defektų nuo įsigijimo datos. Ši garantija ribojama remonto ir (arba) pakeitimu, jei neapima jokių kitų įsipareigojimų, įskaitant (bet tuo neapsiribojant) galutinius arba antrinius naudotojus. Garantija anuluojama, jei įrenginys buvo naudojamas netinkamai, naudojamas ne pagal nurodomą instrukciją arba netinkamai prijungtas. Ši garantija netaikoma:
  - jokiai įrenginiui padarytai žalai, kurią lėmė netinkama techninė priežiūra;
  - jokiai įrenginiui, kuris buvo keičiamas ar modifikuojamas;
  - jokiai įrenginiui, kurio originalūs identifikavimo ženklai (prekės ženklas, serijos numeris) buvo sugadinti, pakeisti arba pašalinti;
  - jokiai žalai, kurią lėmė naudojimo instrukcijos nesilaikymas;
  - jokiais CE ženklu nepažymėtais įrenginiais;
  - jokiai įrenginiui, kurį bandė remontuoti nekvalifikuoti asmenys arba kuris buvo remontojamas be „Technonic Industries“ leidimo;
  - jokiai įrenginiui, kuris buvo prijungtas netinkamo maitinimo tinklo (netinkamos srovės, įtampos, dažnio);
  - jokiai įrenginiui, kuris buvo naudojamas su netinkamu degalų mišiniu (degalai, alyva, maišymo santykis);
  - jokiai žalai, kurią lėmė išorinis poveikis (cheminis, fizinis, smūgiai) arba pašalinės medžiagos;
  - dėvimosioms dalims;
  - netinkamam naudojimui, įrenginio perkrovai;
  - nepatvirtintų priedų arba dalių naudojimui;
  - Jokiai reguliariam karbiuratorių reguliavimui arba priežiūros ir valymo darbams
  - Komponentams (dalims ir priedams), kurie natūraliai dėvisi, įskaitant (bet tuo neapsiribojant) spyruoklines galvutes, pavarų diržus, sankabą, gyvatvorių genėtuvą ar žoliapjovių geležtes, diržus, trosinį drošelį, anglišius šepetėlius, maitinimo kabelį, virbus, fetro poveržes, prikabinimo kaiščius, pūstuvo ventilatorius, pūstuvo ir siurblio vamzdžius, siurblio maišą ir diržus, kreipiamuosius strypus, pjūklų grandines, žarneles, jungiamąsias detales, purškimo antgalius, ratus, purškimo liestukus, vidines rites, išorines rites, pjovimo vielą, uždegimo žvakės, oro filtrus, dujų filtrus, mulčavimo geležtes ir pan.
4. Prireikus atlikti priežiūros darbus, įrenginį reikia siųsti arba atvežti RYOBI įgaliotajam priežiūros centrui, nurodytam kiekvienos šalies priežiūros centrų adresų sąrašė. Kai kuriose šalyse vietinis RYOBI atstovas siunčia įrenginį RYOBI priežiūros organizacijai. Siunčiant įrenginį RYOBI priežiūros centrui, reikia saugiai jį supakuoti pašalinant visas pavojingas medžiagas, pvz., benzina, nurodyti ant pakuočės siuntėjo adresą ir pridėti trumpą gedimo aprašymą.
5. Pagal šią garantiją remontas / keitimas atliekami nemokamai. Tokie veiksmai nelaikomi garantijos pratęsimu arba naujo garantinio laikotarpio pradžia. Dalys arba įrenginiai, kuriuos pakeitėme, tampa mūsų nuosavybė. Kai kuriose šalyse pristatymo ir pašto išlaidas turi padengti siuntėjas. Įstatymuose numatytos jūsų teisės, atsirandančios perkant įrenginį, lieka nepakeistos
6. Ši garantija galioja Europos Bendrijos šalyse, Šveicarijoje, Islandijoje, Norvegijoje, Lichtenšteine, Turkiijoje, Rusijoje ir Jungtinėje Karalystėje. Jei gyvenate ne šiose šalyse, kreipkitės į įgaliotąjį RYOBI atstovą ir sužinokite, ar jums taikoma kita garantija.

### ĮGALIOTAS TECHINIS PRIEŽIŪROS CENTRAS

Jei turite kokių nors pagadavimų ar problemų, susijusių su šiuo gaminiu, galite kreiptis į artimiausią įgaliotąjį techninės priežiūros centrą apsilankydami [www.ryobitools.eu](http://www.ryobitools.eu) arba tiesiogiai: Technonic Industries GmbH, Max Eyth StraÙe 10, 71364 Winnenden, Germany. Nurodykite etiketėje išspausdintą serijos numerį ir gaminio tipą.

Lisaks toote ostust tulenevatele seadusjärgsetele õigustele, kehtib tootele ka alltoodud garantiiga.

1. Tarbijatele on garantiiaeg 24 kuud ja algab sellel kuupäeval, mil toode osteti. Selle kuupäeva tõestuseks on vaja arvi või mõnda teist tõendit ostu sooritamise kohta. Toode on mõeldud eratarbijatele ainult isiklikeks kasutamiseks. Seega ei kehti garantii ostu kasutamisel kutsetegevuses või kaubanduslikel eesmärkidel.
2. Teatud osale (vahelduvvoolu/älalisvoolu) aiatööriistadele on võimalik pikendada eespool toodud garantiiaega, kasutades toote registreerimist veebilehel [www.ryobitools.eu](http://www.ryobitools.eu). Teave tööriista võimaliku pikendatud garantiiaja kohta on selgelt esile toodud pöördides ja/või pakendil / ning see sisalduv toote dokumentatsioon. Lõpptarbijaja peab registreerima oma uued tööriistad interneti teel 30 päeva jooksul pärast ostupäeva. Lõppkasutaja võib registreerida pikendatud garantiiaja saamise oma elukohariigis, kui veebis olevas registreerimisvormis on see valik lubatav. Lisaks peavad kasutajad andma oma nõusoleku veebis nõutud sisestatavate andmete säilitamiseks ning nad peavad nõustuma tingimustega. E-posti teel saadetav registreerimise kinnitus ja arve originaal, kus on näha ostu sooritamise kuupäev, on pikendatud garantiiaja tõestuseks.
3. Garantii katab kõik defektid toote garantiiaja jooksul, kui ostu kuupäeval ilmnevad talitlus- või materjalivead. Garantii piirub toote remondi ja/ või väljavahetamisega ning ei sisalda mudu kohustusi, muu hulgas ettenägematuid või kaudseid kahjusid. Garantii ei kehti, kui toode ei ole kasutatud sihtotstarbelselt või kooskõlas kasutusjuhendiga või see on valesti ühendatud. Garantii ei kehti järgmistel põhjustel:
  - toode on kahjustatud vale hoolduse tõttu
  - toode on muudetud
  - toode algupärase identifitseerimisjärgised (kaubamärk, seerianumber) on rikutud, muudetud või eemaldatud
  - kahju on tekkinud kasutusjuhendi mittejärgmisest
  - tootel puudub CE-märgis
  - toode on püüdnud remondida vastavalt kvalifikatsiooni mitte omav isik või ilma firma Technonic Industries eelneva loata.
  - toode on ühendatud valesse toiteallikasse (voolutugevus, pinge, sagedus)
  - tootega kasutati sobimatut kütusesegu (kütus, õli, õli protsent)
  - välismõjude (keemilised, füüsikalised, elektrilõigid) või võõrkehade tekitatud kahju
  - tavapärase kulumine ja katkised varuosad
  - ebaõige kasutamine, tööriista ülekoormamine
  - heakskiitmata tarvikute või osade kasutamine
  - Karburaatorite korralised reguleerimistööd või hooldus- ja puhastustööd
  - Komponendid (osad ja tarvikud), mida iseloomustab kulumine ja vananemine, muu hulgas puutenupud, kiirihmad, sidur, hekilõikurite või muruniidukite lõiketerad, rakmed, gaasitross, süsinikharjad, toitejuhe, freesiterad, viidist seibid, tihvtid, õhuventilaatorid, puhuri- ja imuritrud, kogumiskott ja rihmad, juhkimid, saeketid, voolikud, liitmikud, pihusti otsakud, rattad, pritsi varred, sisemised poolid, välismised poolid, jõhvud, süüteküünlad, õhufiltrid, gaasifiltrid, mülmisinterad jne.
4. Hoolduseks peab toote saatma või viima RYOBI volitatud teenindusse, mille aadressi leiate järgnevast teeninduspunkti nimekirjast vastava riigi alt. Mõnedes riikides võtab kohalik RYOBI edasimüüja enda kanda kohustuse saata toode RYOBI teenindusorganisatsiooni. Tootte saatmisel RYOBI teenindusse peab toode olema ohutult pakitud ja ei tohi sisaldada ohtlike aineid (nt bensiini), kirjas peab olema saatja aadress ja lisatud vea lühikirjeldus.
5. Garantii alusel tehtavad remonditööd / asendamine on tasuta. See ei pikenda garantii kehtivusaega ega tähistu vea garantiiaja algust. Väljavahetatud osad või tööriistad kuuluvad meile. Mõnedes riikides maksab kättevõimetamis- ja postikulud saatja. Teile jäävad kehita tööriista ostust tulenevad seadusjärgsed õigused
6. See garantii kehtib Euroopa Liidus, Šveitsis, Islandil, Norras, Liechtensteinis, Türgis, Venemaal ja Ühendkuningriigis. Väljaspool neid piirkondi võtke ühendust volitatud RYOBI edasimüüjaga, et teha kindlaks kas kehtib mõni teine garantii.

**VOLITATUD HOOLDUSKESKUS**

Tootega seotud päringute või probleemide korral pöörduge kohaliku volitatud hoolduskeskuse poole (vt [www.ryobitools.eu](http://www.ryobitools.eu)) või otse aadressile: Technonic Industries GmbH, Max Eyth Straße 10, 71364 Winnenden, Germany. Märkige ära sildil olev seerianumber ja toote tüüp.

Osim svim zakonskim pravima koja proizlaze iz kupnje, ovaj je proizvod pokriven jamstvom kako je navedeno u nastavku.

1. Jamstveno razdoblje za potrošače traje 24 mjeseca i počinje s datumom na koji je proizvod kupljen. Taj datum mora se dokumentirati računom ili drugim dokazom o kupnji. Proizvod je konstruiran i namijenjen samo za privatnu upotrebu korisnika. Stoga se jamstvo ne daje u slučaju profesionalne ili komercijalne uporabe.
2. Postoji mogućnost da se za dio asortimana vrtnih alata pokretanih izmjeničnom strujom (AC/DC) produži gore navedeno jamstveno razdoblje putem registriranja na mrežnom mjestu [www.ryobitools.eu](http://www.ryobitools.eu). Uvjeti koje je potrebno zadovoljiti kako bi se produžilo jamstveno razdoblje jasno su istaknuti u prodavaonicama i / ili na pakiranju / i nalaze se unutar dokumentacije proizvoda. Krajnji korisnik mora registrirati svoje novo kupljene alate na mreži u roku od 30 dana od datuma kupnje. Krajnji korisnik može se registrirati za produženo jamstvo u svojoj zemlji boravišta ako se nalazi na popisu u mrežnom obrascu za registraciju gdje je ta opcija važeća. Nadalje, krajnji korisnici moraju dati svoj pristanak na pohranu podataka koji su potrebni za mrežni ulazak i moraju prihvatiti odredbe i uvjete. Potvrda o prijemu registracije, koja se šalje putem e-pošte, kao i originalni račun s vidljivim datumom kupnje poslužit će kao dokaz produženog jamstva.
3. Jamstvo pokriva sve nedostatke proizvoda tijekom jamstvenog razdoblja koji su nastali zbog neispravnosti prilikom izrade ili materijala s datumom kupnje. Jamstvo je ograničeno na popravak i/ili zamjenu i ne obuhvaća nikakve druge obveze, uključujući, ali ne ograničavajući se na slučajne ili posljedične štete. Jamstvo ne vrijedi ako je proizvod bio zlorabljeno, korišten u suprotnosti s priručnikom s uputama ili ako je pogrešno spojen. Ovo jamstvo ne primjenjuje se na:
  - svako oštećenje proizvoda koje je rezultat nepravilnog održavanja
  - svaki proizvod koji je izmijenjen ili modificiran
  - svaki proizvod gdje su originalne identifikacijske oznake (zaštitni znak, serijski broj) izbrisane, zamijenjene ili uklonjene
  - svako oštećenje uzrokovano nepridržavanjem korisničkog priručnika
  - svaki proizvod koji nije CE
  - svaki proizvod koji je pokušao popraviti nekvalificirani profesionalac ili bez prethodnog odobrenja od strane Technonic Industries
  - svaki proizvod priključen na nepravilno napajanje energijom (amperi, napon, frekvencija)
  - Svaki proizvod korišten s neodgovarajućom mješavinom (gorivo, ulje, postotak ulja)
  - svako oštećenje uzrokovano vanjskim utjecajima (kemijsko, fiziko, udar) ili stranim stvarima
  - normalno trošenje i habanje rezervnih dijelova
  - nepravilno korištenje, preopterećenje alata
  - korištenje neodobrenog dodatnog pribora ili dijelova
  - rasplinjača nakon 6 mjeseci, podešavanje rasplinjača nakon 6 mjeseci
  - komponente (dijelovi i dodatni pribor) koji su predmet prirodnog trošenja i habanja, uključujući no ne ograničavajući se na gumbce za otpuštanje, pogonske remene, spojk, oštrice trimera za grmlje ili kosilicu, kope, saje gasa, ugljene četke, kabele za napajanje, noževe, podloške, ztike za zglobnu vezu, ventilatore puhalica, cijevi za ispuhavanje i usisavanje, vakuumske vrećice i trake, vodicice, lance pile, crijeva, priključene elemente, mlaznice za raspršivanje, kodače, koplja za raspršivanje, unutarnje kolote, vanjske kalame, flaksove, svjećice, filtre za zrak, filtre za plin, oštrice za usitnjavanje itd.
4. Za potrebe servisiranja, proizvod se mora poslati ili odnijeti u ovlašteno servisnu postaju tvrtke RYOBI navedenu na sljedećem popisu s adresama servisnih postaja u svakoj zemlji. U nekim zemljama, vaš lokalni RYOBI zastupnik obvezuje se da će poslati proizvod u servisnu organizaciju tvrtke RYOBI. Kada se proizvod šalje u neku servisnu postaju tvrtke RYOBI, proizvod se mora sigurno pakirati bez ijednog od opasnih sadržaja kao što je benzin, na njemu mora pisati adresa pošiljatelja i mora biti popraćen kratkim opisom kvara.
5. Popravak / zamjena pod ovim jamstvom su besplatni. Oni ne predstavljaju produženje ili novi početak jamstvenog razdoblja. Zamijenjeni dijelovi ili alati postaju naše vlasništvo. U nekim državama troškove isporuke ili poštarinu mora platiti pošiljatelj. Vaša zakonska prava koja proizlaze iz kupnje alata ostaju nepromijenjena
6. Ovo jamstvo je valjano u zemljama Europske zajednice, Švicarskoj, Islandu, Norveškoj, Lihtenštajnu, Turskoj, Rusiji i Ujedinjenoj Kraljevini. Izvan tih područja vas molimo da se obratite svojem ovlaštenom zastupniku tvrtke RYOBI kako biste utvrdili primjenjuje li se drugo jamstvo.

**OVLASŤENI SERVISNI CENTAR**

Za svaki zahtjev ili problem s proizvodom možete se obratiti vašim ovlaštenim servisnim centrima (posjetite adresu [www.ryobitools.eu](http://www.ryobitools.eu)) ili izravno u Technonic Industries GmbH, Max Eyth Straße 10, 71364 Winnenden, Germany. Navedite serijski broj i vrstu proizvoda oisnutu na naljepnici.

## SL POGOJI ZA VELJAVNOST GARANCIJE RYOBI

Poleg morebitnih zakonsko določenih pravic, ki izvirajo iz nakupa, za ta izdelek velja spodaj navedena garancija.

- Garancijsko obdobje je za potrošnika 24 mesecev in začne teči z dnem nakupa izdelka. Ta datum mora biti dokumentiran z računom ali drugim dokazilom o nakupu. Izdelek je zasnovan in namenjen izključno za potrošniško zasebno uporabo. V primeru strokovne oziroma komercialne uporabe izdelka garancija ne velja.
- Obstaja možnost podaljšanja garancije na del naše ponudbe vrtnih orodij (AC/DC) prek obdobja garancije, opisanega zgoraj, s pomočjo registracije na spletnem mestu [www.ryobitools.eu](http://www.ryobitools.eu). Ustreznost orodij za podaljšanje garancijskega obdobja je jasno prikazana v trgovinah in/ali na embalaži oziroma je navedena v dokumentaciji izdelka. Končni uporabnik mora registrirati svoje novo orodje na spletu v 30 dneh po datumu nakupa. Končni uporabnik lahko registrira podaljšano garancijo v svoji državi bivanja, če je na obrazcu spletne registracije navedeno, da ta možnost velja za njegovo državo. Poleg tega morajo končni uporabniki podati svoje soglasje za shranjevanje podatkov, ki so potrebni za spletni dostop in morajo sprejeti pogoje in določila uporabe spletnega mesta. Potrdilo o registraciji, ki ga pošljemo prek e-pošte, in originalni račun, ki prikazuje datum nakupa, služita kot dokazilo o podaljšani garanciji.
- Garancija krije vse okvare izdelka, do katerih pride v garancijskem obdobju zaradi napak v izdelavi ali materialu, ki so bile prisotne ob datumu nakupa. Garancija je omejena na popravilo in/ali zamenjavo in ne vključuje nobenih drugih obveznosti, med drugim vključno z naključno ali posledično škodo. Garancija ne velja, če je bil izdelek napačno uporabljen, uporabljen v nasprotju z navodili iz priročnika za uporabo ali če ni bil pravilno povezan. Ta garancija ne velja za:
  - škodo na izdelku, ki je posledica neustreznega vzdrževanja
  - spremenjen ali prilagojen izdelek
  - izdelek, katerega originalna identifikacijska oznaka (blagovna znamka, serijska številka) je bil poškodovan, spremenjena ali odstranjena
  - škodo, ki je posledica neupoštevanja navodil iz priročnika za uporabo
  - izdelek, ki nima oznake CE
  - izdelek, ki ga je poskušal opraviti nekvalificiran strokovnjak ali ki je bil popravljen brez predhodne odobritve s strani družbe Technonic Industries.
  - izdelek, ki je bil povezan na neustrezno napajanje (amperska moč, napetost, frekvenca)
  - izdelek, ki je bil uporabljen z neustrezno mešanico goriva (gorivo, olje, odstotek olja)
  - škodo, ki jo povzročijo zunanji vplivi (kemični, fizični, mehanski) ali tuje snovi
  - rezervne dele, ki so podvrženi običajni uporabi
  - neprimerno uporabo, preobremenitev orodja
  - uporabo neodobrenih dodatkov ali delov
  - Vsako redno prilagajanje ali vzdrževalno čiščenje uplinjačev
  - Komponente (sestavni in rezervni deli), ki so podvrženi običajni obrabi, med drugim vključno z gumbi odbijača, pogonskimi jermeni, sklopko, rezili obrezovalnikov za žive meje ali kosilnic za trato, nosilnimi pasovi, kablji, dušilnimi ventili, oglikovimi krtačami, napajalnimi kablji, zobci, tesnili iz filca, vezniimi zatčji, ventilatorji pihalnika, cevimi pihalnika in sesalnika, vrečko in pasovi sesalnika, vodilnimi palicami, verigami motorne žage, cevmi, priključki, razpršilnimi šobami, kolesi, razpršilnimi palicami, notranjimi kolesci, zunanjimi motki, rezalnimi vrvicami, vžigalnimi svečkami, zračnimi filtri, plinskimi filtri, rezili za mulčenje itd.
- Za servisiranje morate izdelek poslati ali prinesiti v pooblaščen servisni center družbe RYOBI, ki je naveden za vsako državo na naslednjem seznamu naslovov servisnih centrov. V nekaterih državah se vaš lokalni posrednik družbe RYOBI obveže, da bo poslal izdelek na servis družbe RYOBI. Ko pošiljate izdelek v servisni center družbe RYOBI, mora biti izdelek varno zapakiran in ne sme vsebovati nobenih nevarnih snovi, kot je npr. bencin, opravljen pa mora biti z naslovom pošiljatelja in vsebovati kratek opis napake.
- Popravilo/zamenjava v skladu s to garancijo sta brezplačni storitvi. To pa ne predstavlja podaljšanja ali ponovnega začeta garancijskega obdobja. Zamenjani deli ali orodja postanejo naša last. V nekaterih državah stroške dostave ali poštno plačilo pošiljatelj. Vaše zakonsko določene pravice, ki izvirajo iz nakupa orodja, ostajajo nespremenjene.
- Ta garancija velja v Evropski skupnosti, Švici, na Islandiji, Norveškem, v Lichtenštajnu, Turčiji, Rusiji in Združenem kraljestvu. Izven teh območij se obrnite na svojega pooblaščenega posrednika izdelkov RYOBI, dealer ki vam bo povedal, ali velja kakšna druga garancija.

### POOBLAŠČEN SERVISNI CENTER

V primeru zahtev ali težav v zvezi z izdelkom se lahko obrnete na lokalne pooblaščené servisne centre (obiščite [www.ryobitools.eu](http://www.ryobitools.eu)) ali neposredno na: Technonic Industries GmbH, Max Eyth Straße 10, 71364 Winnenden, Germany. Prosimo, da navedete serijsko številko in tip izdelka, ki sta natisnjena na oznaki.

## SK ZÁRUČNÉ PODMIENKY RYOBI

Na tento výrobok sa okrem všetkých zákonných práv, vyplývajúcich z nákupu, vzťahuje záruka v nasledovnom znení.

- Záručná doba pre spotrebiteľa je 24 mesiacov a začína plynúť odo dňa, kedy bol výrobok zakúpený. Tento dátum musí byť doložený faktúrou alebo iným dokladom o zakúpení. Výrobok je navrhnutý a určený pre spotrebiteľov a len na súkromné používanie. Preto sa záruka sa neposkytuje v prípade použitia na profesionálne a komerčné účely.
- V prípade záhradného náradia (na striedavý/jednosmerný prúd AC/DC), existuje možnosť predĺženia záručnej doby oproti záručnej dobe, uvedenej vyššie, s využitím on-line registrácie na webovej stránke [www.ryobitools.eu](http://www.ryobitools.eu). Označenie na náradí o nároku na predĺženie záručnej doby je zreteľne uvedené v obchodoch a/alebo na obale a je uvedené v dokumentácii k výrobku. Koncový používateľ musí zaregistrovať svoje novozískané náradie on-line do 30 dní odo dňa nákupu. Koncový používateľ sa môže zaregistrovať na predĺženie záruky v krajine svojho bydliska, ak je v on-line registračnom formulári uvedená táto možnosť. Ďalej musí osoba koncový používateľa ešte dať svoj súhlas k uchovávaniu údajov, ktoré je potrebné zadať on-line a musia súhlasiť s podmienkami. Potvrdenie o prijatí registrácie, ktorý je zasielané e-mailom a originál faktúry, v ktorej je uvedený dátum nákupu, slúžia ako dôkaz o predĺženej záruke.
- Záruka sa vzťahuje na všetky poruchy výroby v záručnej dobe, spôsobené chybami materiálů alebo spracovania k dátumu nákupu. Táto záruka je obmedzená na opravu a/alebo výmenu a nezahŕňa ďalšie povinnosti, vrátane, okrem iných, náhodné alebo následné škody. Táto záruka je neplátná, ak bol výrobok nesprávne používaný, bol používaný v rozpore s návodom na použitie alebo bol nesprávne zapojený. Táto záruka sa nevzťahuje na:
  - akékoľvek poškodenie výrobku, ktoré bolo spôsobené nesprávnou obsluhou
  - akýkoľvek výrobok, ktorý bol zmenený alebo upravený
  - akýkoľvek výrobok, na ktorom bolo poškodené, upravené alebo odstránené identifikačné označenie (ochranná známka, výrobné číslo)
  - akékoľvek škody, spôsobené nedodrzaním návodu na obsluhu
  - akýkoľvek výrobok, ktorý neobsahuje označenie CE
  - akýkoľvek výrobok, ktorý sa pokúša opraviť nekvalifikovaný odborník alebo bol opravovaný bez predchádzajúceho súhlasu zo strany spoločnosti Technonic Industries.
  - akýkoľvek výrobok, pripojený k nesprávnejmu napájaciemu zdroju (ampéry, napätie, frekvencia)
  - akýkoľvek výrobok, používaný s nesprávnou palivovou zmesou (palivo, olej, percento oleja)
  - akékoľvek poškodenia, spôsobené vonkajšími vplyvmi (chemickými, fyzikálnymi, nárazmi) alebo cudzorodými látkami
  - bežné opotrebovanie náhradných dielov
  - nevhodné používanie, preťažovanie nástroja
  - používanie neschváleného príslušenstva a dielov
  - Akékoľvek pravidelné úpravy alebo čistenie karburátorov, vykonávaných iných údržby
  - Súčiastky (diely a príslušenstvo), ktoré podliehajú prirodzenému opotrebeniu, okrem iných, otočné gombíky, hnacie remene, spojka, nože na nožnice na živý plot alebo kosačku na trávu, popruhy, lanko škrtiace klapky, uhliky, napájací kábel, radličky, plsténé podložky, závesné klince, lopatky fúkačov, trubice vysávača a fúkača, vak do vysávača a popruhy, vodiace líšty, retazové pily, hadice, spojovacie armatúry, trysky, kolesá, striekacie rúrky, vnútorné cievy, vonkajšie cievy, žacie lanká, zapalovacie sviečky, vzduchové filtre, benzínové filtre, mulčovacie nože atď.
- Na opravu musí byť výrobok odoslaný alebo doručený do autorizovaného servisného strediska RYOBI, uvedeného pre každú krajinu v nasledovnom zozname adries servisných stredísk. V niektorých krajinách miestny zástupca RYOBI preberá na seba záväzok zaslať tovar do servisnej organizácie RYOBI. Pri odosielaní výrobku do servisného strediska RYOBI je potrebné výrobok bezpečne zabaliť bez akéhokoľvek nebezpečného obsahu, ako je benzín, s vyznačením adresy odosielaťa, s krátkym popisom poruchy.
- Oprava/výmena je vrámcí teľto záruky bezplatná. Nezmenené a predĺžené záruky alebo spustenie novej záručnej doby. Vymenené diely alebo nástroje sa stávajú našim vlastníctvom. V niektorých krajinách náklady na odoslanie alebo poštovné musí zaplatiť odosielať. Vaše zákonné práva, vyplývajúce z nákupu náradia, zostávajú nedotknuté
- Táto záruka je plátná v Európskych spoločenstvách, Švajčiarsku, Islande, Nórsku, Lichtenštajnsku, Turecku, Rusku a Spojenom kráľovstve. Ak sa nachádzate mimo týchto oblastí, obráťte sa na autorizovaného predajcu RYOBI na určenie, či sa dá uplatniť iná záruka.

### AUTORIZOVANÉ SERVISNÉ CENTRUM

Všetky žiadosti alebo problémy s výrobkom možno adresovať miestnym autorizovaným servisným strediskám (navštívte [www.ryobitools.eu](http://www.ryobitools.eu)) alebo priamo na: Technonic Industries GmbH, Max Eyth Straße 10, 71364 Winnenden, Germany. Uvedte sériové číslo a typ výrobku uvedené na etikete.

## BG УСЛОВИЯ ЗА ВАЛИДНОСТ НА ГАРАНЦИЯТА НА RYOBI

В допълнение към законоустановените права, произтичащи от покупката, този продукт е обхванат от гаранция, както е изложено по-долу.

- Гаранционният срок е 24 месеца за клиенти и започва да тече от деня на закупуване на продукта. Тази дата трябва да се докаже с фактура или друго доказателство за покупка. Продуктът е изработен и предназначен само за потребителска и лична употреба. Следователно не се дава гаранция в случай на използване от професионалисти или с търговска цел.
- Съществува възможност за удължаване на гаранционния срок за част от диапазона на гаранцията на градински инструменти (AC/DC) след изтичането на описания тук чрез регистрацията на уеб сайта [www.ryobitools.eu](http://www.ryobitools.eu). В магазините и/или на опаковката или вътре в документацията на продукта е показано ясно дали инструментът отговаря на условията за такова удължаване на гаранционния срок. Крайният потребител трябва да регистрира своите новопридобити инструменти онлайн в рамките на 30 дни от датата на покупка. Крайният потребител може да се регистрира за удължена гаранция в държавата си на пребиваване, ако е посочена вня формулара за онлайн регистрация като място, където тази опция е валидна. Освен това крайните потребители трябва да дадат съгласието си за съхранение на данните, които са задължителни за попълване онлайн, и трябва да приемат общите условия. Полученото потвърждение за регистрация, изпратено по електронна поща, и оригиналната фактура, показваща датата на покупка, ще служат като доказателство за удължената гаранция.
- Гаранцията покрива всички дефекти на продукта по време на гаранционния срок, които се дължат на проблеми в изработката или материалите към момента на покупката. Гаранцията е ограничена до ремонт или измяна и не включва други задължения, включително, но не само, случайни или косвени щети. Гаранцията е невалидна, ако продуктът е използван неправилно или в противоречие с ръководството с инструкции, както и ако е свързан неправилно. Тази гаранция не важи за:
  - щети по продукта в резултат на неправилна профилация
  - продукти, които са били изменени или модифицирани
  - продукт, при който оригиналните маркировки за идентификация (търговска марка, сериен номер) са изтрили, променени или премахнати
  - повреда, причинена от неспазване на ръководството с инструкции
  - продукт без CE маркировка
  - продукт, за който е направен опит за ремонт от неквалифициран специалист или без предварително разрешение от Techtronic Industries.
  - продукт, свързан към неподходящо електрозахранване (ампераж, волтаж, честота)
  - продукт, използван с неподходяща горивна смес (гориво, масло, процент масло)
  - щети, причинени от външни влияния (химични, физични, удари) или чужди вещества
  - нормално износване на резервни части
  - неподходяща употреба, претоварване на инструмента
  - използване на неодобрени аксесоари или частиВсякакви периодични настройки или почистване с цел извършване на поддръжка на карбуратори
- Компоненти (част и аксесоари), подложени на естествено износване, включително, но не само, копчета за пласане, задвижващи ремъци, съединител, остриета на ножици за жив плет или косачки за трева, прерамки, кабелен дросел, карбонови четки, захранващ кабел, остриета, филцови шайби, осигурителни шифтове, вентилатори на уреди за обдухване, тръби за обдухване и всмукване, торба за отпадъци и ремъци, водещи шини, вериги за триони, маркучи, фитинги на конектори, дюзи, копела, пръскалки, вътрешни и външни макарки, режещо влакно, запалителни свещи, въздушни филтри, горивни филтри, остриета за мулчиране и др.
- За обслужване продуктът трябва да се изпрати или занесе на оторизиран сервиз на RYOBI, посочен за всяка държава в следния списък с адреси на сервиси. В някои държави местният търговец на RYOBI поема отговорността да изпрати продукта до сервизен център на RYOBI. При изпращане на продукт до сервиз на RYOBI той трябва да е опакован безопасно без опасно съдържание, напр. бензин, да е маркиран с адреса на подателя и придружен от кратко описание на повредата.
- Ремонтът/замяната по силата на тази гаранция са безплатни. Те не водят до удължаване или подновяване на гаранционния срок. Сменените части или инструменти стават наша собственост. В някои държави таксите за доставка или изпращане трябва да се платят от подателя. Законоустановените ви права, произтичащи от закупуването на инструмента, остават незаменни.
- Тази гаранция е валидна в Европейската общност, Швейцария, Исландия, Норвегия, Лихтенщайн, Турция и Обединеното кралство. Извън тези области се свържете с упълномощения търговец на RYOBI, за да се установи дали е приложима друга гаранция.

### УПЪЛНОМОЩЕН СЕРВИЗЕН ЦЕНТЪР

Всички заявки или проблеми, свързани с продукта, могат да бъдат отправени към местните упълномощени сервизни центрове ([www.ryobitools.eu](http://www.ryobitools.eu)) или директно до: Techtronic Industries GmbH, Max Eyth Straße 10, 71364 Winnenden, Germany. Посочете серийния номер и типа на продукта, отпечатани върху етикета.

## UK ГАРАНТИЙНИ УМОВИ ДЛЯ RYOBI

Окрім загалом установених законом прав, що стосуються покупок, цей пристрій покривається гарантією, що зазначено нижче.

- Гарантійний період для споживачів складає 24 місяці і починається за моменту придбання цього пристрою. Ця дата повинна бути задокументована у гарантійному талоні або чеку, що підтверджує покупку. Цей пристрій був розроблений і призначений тільки для споживачого і приватного використання. У разі професійного або комерційного використання цього пристрою, він втрачає гарантію.
- Існує можливість продовжити гарантійний період, понад період описаний вище, для частини лінійки садових інструментів (перемінного/постійного струму) за допомогою реєстрації на сайті [www.ryobitools.eu](http://www.ryobitools.eu). Пристрої, які мають право на подовження гарантійного періоду, мають чіткі позначки щодо цього в магазинах і/або на упакуванні / та документації до пристрою. Кінцевий користувач повинен зареєструвати його/її новопридбаний пристрій онлайн протягом 30 днів з дати покупки. Кінцевий користувач може зареєструватися для подовження гарантійного періоду в своїй країні постійного перебування, якщо вона є доступною у відповідній опції онлайн форми реєстрації. Крім того, кінцеві користувачі повинні дати свою згоду на прийняття даних, які необхідні для введення онлайн, а також вони повинні прийняти правила та умови. Отримання підтвердження реєстрації, яке відправляється на адресу електронної пошти, та оригінал гарантійного талона із зазначеною датою покупки буде слугувати доказом подовженої гарантії.
- Гарантія поширюється на всі дефекти пристрою протягом гарантійного терміну щодо недотримання стандартів виробництва або матеріалів на дату придбання. Гарантія обмежується ремонтом та/або заміною, та не включає в себе будь-яких інших зобов'язань, в тому числі, але не обмежена у разі випадкових та подальших пошкоджень. Гарантія не діє, якщо пристрій використовувався неналежним чином, всупереч інструкції з експлуатації або був неправильно підключений до мережі. Дана гарантія не поширюється на:
  - пристрої, що були пошкоджені у результаті неправильного технічного обслуговування;
  - пристрої, що були видозмінені або модифіковані;
  - пристрої, оригінальне ідентифікаційне (товарний знак, серійний номер) маркування яких було пошкоджене, змінено або видалено;
  - будь-які пошкодження, заподіяні недотриманням інструкції з експлуатації;
  - пристрої, що не мають маркування CE;
  - пристрої, що були відремонтовані некваліфікованим фахівцем або за відсутності попереднього дозволу від Techtronic Industries;
  - пристрої, підключені до невідповідного джерела живлення (сила току, напруження, частота);
  - пристрої, що використовувалися із невідповідною паливною сумішшю (паливом, оливою, відсотковою часткою оливи);
  - будь-які пошкодження спричинені зовнішніми впливами (хімічними, фізичними, стрибком напруги) або сторонніми речовинами;
  - нормальну амортизацію запасних частин;
  - невідповідне використання, переваження пристрою;
  - використання невідтверджених запасних частин або аксесуарів;
  - Будь-які періодичні коригування або технічне очищення карбураторівКомпоненти (частини та аксесоари) з урахуванням нормального зношування, враховуючи але це без обмеження на імпульсні кнопки, ремені приводу, зчеплення, леза кущоріза або газонкосарки, ремені, троси дросельного клапану, вугільні щітки, шнури живлення, зубці, фетрові підкладки, зчіпні штири, вентилятори повітродувки, труби аліосота та повітродувки, вакуумні мішки та накладки, напрядки, ланцюги, гнучкі шланги, з'єднувальні фітінги, розсілювальні насадки, копелса, жорсткі сопла, внутрішні кутюшки, зовнішні золотники, ріжучі волосінні, свічки запалення, повітряні фільтри, протигазові фільтри, мульчувальні леза, т.д.
- Для обслуговування, пристрій має бути відправлений або поданий до одного з авторизованих сервісних центрів RYOBI, які перелічені для кожної країни у наступному переліку адрес сервісних центрів. У деяких країнах місцевий дилер RYOBI зобов'язується відправити пристрій до сервісного центру RYOBI. При відправленні пристрою до сервісного центру RYOBI, пристрій має бути надійно упакований без будь-якого небезпечного вмісту, наприклад бензину, з позначеною адресою відправника та супроводжується коротким описом несправності.
- Ремонт / заміна відповідно до цієї гарантії здійснюється безкоштовно. Це не є основою для подовження або початку нового гарантійного періоду. Замінені частини або прилади переходять до власності компанії. У деяких країнах вартість доставки або поштові витрати повинні бути сплачені відправником. Загально встановлені правила поведінки на пристрій залишаються незмінними.
- Ця гарантія є діючою у країнах, членах ЄС, Швейцарії, Ісландії, Норвегії, Лихтенштейні, Туреччині, Росії та Великій Британії. За межами цих зон, будь ласка, зверніться до офіційного дилера RYOBI, щоб визначити, чи застосовується інша гарантія.

### АВТОРИЗОВАНІ СЕРВІСНІ ЦЕНТРИ

З будь-яких питань або проблем, пов'язаних з пристроєм, ви можете звернутись до місцевих авторизованих сервісних центрів (відвідайте [www.ryobitools.eu](http://www.ryobitools.eu)) або напрямку до: Techtronic Industries GmbH, Max Eyth Straße 10, 71364 Winnenden, Germany. Будь ласка, вкажіть серійний номер та тип продукту, вказані на етикетці.

## TR RYOBI GARANTİ UYGULAMA KOŞULLARI

Alımdan kaynaklanan yasal haklara ek olarak, ürün aşağıda belirtilen garanti kapsamındadır.

1. Tüketiciler için 24 ay olan garanti süresi, ürünün satın alındığı tarihte başlar. Bu tarihin bir fatura ya da alım kanıtıyla belgelenmesi gerekir. Ürün sadece tüketim ve özel kullanım için geliştirilmiş ve adanmıştır. Bu nedenle, profesyonel ya da ticari kullanım halinde garanti kapsamı sağlanmaz.
2. Bahçe aletlerinin bir bölümü (AC/DC) için [www.ryobitools.eu](http://www.ryobitools.eu) sayfasındaki kayıt işlemini kullanarak garantinin belirtilen sürenin ötesine uzatma imkanı mevcuttur. Aletlerin garanti süresinin uzatılmasına uygun olup olmadığı mağazalarda ve / veya ambalajda açıkça belirtilmiş olup, ürün dokümantasyonunda gösterilir. Son kullanıcının yeni aldığı aletleri satın alma tarihini izleyen 30 gün içinde kaydettirmesi gerekir. Son kullanıcı ikamet ettiği ülkede, bu seçeneğin geçerli olduğu çevrimiçi kayıt formunda belirtilmişse, uzatılmış garanti süresi için kayıt yaptırabilir. Dahası, son kullanıcıların çevrimiçi giriş için gerekli verilerin kaydedilmesine izin vermesi ve hüküm ve koşulları kabul etmelidir. E-posta ile gönderilen kayıt teyit makbuzu ve alım tarihini gösteren orijinal fatura uzatılmış garantinin kanıtı olarak değerlendirilir.
3. Garanti, ürünün alım tarihindeki işçilik ve malzeme kusurları nedeniyle garanti süresi içinde oluşacak bütün arızalarını kapsar. Bu garanti onarım ve değiştirmeyle sınırlı olup, tesadüfi ya da dolaylı hasarlar da dahil, ancak bunlarla kısıtlı olmayan başka hiçbir taahhüdü kapsamaz. Garanti, ürünün kötü, kullanıcı kılavuzuna aykırı kullanılmış ya da yanlış bağlanmış olması halinde geçerli değildir. Bu garanti aşağıdakileri kapsamaz:
  - üründe, yanlış bakımdan kaynaklanan herhangi bir hasar
  - değiştirilmiş ya da modifiye edilmiş herhangi bir ürün
  - orijinal tanıtmı işaretleri (ticari marka, seri numarası) silinmiş, değiştirilmiş ya da kaldırılmış herhangi bir ürün
  - kullanma kılavuzuna uymamaktan kaynaklanmış herhangi bir hasar
  - herhangi bir AT dışı ürün
  - kalifiye olmamış personel tarafından ya da önceden Techtronic Industries onayı alınmadan onarılmış herhangi bir ürün.
  - uygunsuz güç kaynağına (amper, voltaj, frekans) bağlanmış herhangi bir ürün
  - uygunsuz bir yakıt karışımıyla (yakıt, yağ, yap yüzdesi) kullanılmış herhangi bir ürün
  - harici etkenlerden (kimyasal, fiziksel, darbe) veya yabancı cisimlerden kaynaklanan her türlü hasar
  - normal aşınır ve yıpranır aksam
  - uygunsuz kullanım, aletin aşırı yüklenmesi
  - onaysız aksesuar veya parça kullanımı
  - Karbüratörlere uygulanacak her türlü periyodik ayar, bakım veya temizlik
  - Darbe Düğmeleri, Tahrik Kayışları, Kavrama, Çit Budama ya da Çim Biçme Makinelerinin Bıçakları, Kayış Koşumlar, Kablo Gaz, Kömür Fırçalar, Güç Kablo, Dişler, Keçe Rondelalar, Bağlantı Pimleri, Üfleyci Pervaneleri, Üfleyci ve Vakum Boruları, Vakum Torbası ve Kayışlar, Kılavuz Çubuklar, Zincir Testere, Hortumlar, Konektör bağlantıları, Püskürtme Memeleri, Çarklar, Püskürtme Çubukları, Dahili Makaralar, Harici Makaralar, Kesme Telleri, Bujiler, Hava Filtreleri, Gaz Filtreleri, Malçlama Bıçakları vb. gibi parçaları kapsayan, ancak bunlarla sınırlı olmayan, aşınma ve yıpranmaya tabi bileşenler (aksam ve aksesuarlar).
4. Ürünün servis için her ülkede aşağıdaki servis istasyonları adres listesinde yer alan yetkili bir RYOBI servis istasyonuna gönderilmesi ya götürülmesi gereklidir. Bazı ülkelerde, yerel RYOBI distribütörünüz ürünü RYOBI servis teşkilatına göndermeyi üstlenir. Bir ürün bir RYOBI servis istasyonuna gönderilirken, ürünün güvenli bir biçimde ambalajlanması, benzin gibi tehlikeli maddeler içermemesi, gönderenin adresini taşıması ve arızanın kısa bir açıklamasını içermesi gerekir.
5. Bu garanti kapsamında yapılacak onarım / değişiklik ücretsizdir. Garanti süresinin uzatılması ya da yeniden başlatılması anlamına gelmez. Değiştirilmiş parçalar veya aletler bize ait olur. Bazı ülkelerde teslimat ücretleri veya posta giderlerinin gönderici tarafından ödenmesi gerekir. Alımdan kaynaklanan yasal haklarınız etkilenebilir.
6. Bu garanti Avrupa Birliği'nde, İsviçre, İzlanda, Norveç, Lihtenştayn, Türkiye, Rusya ve Birleşik Krallık'ta geçerlidir. Bu alanların dışında, başka bir garantinin geçerli olup olmadığını belirlemek için lütfen yetkili RYOBI distribütörünüzle irtibata geçin.

### YETKİLİ SERVİS MERKEZİ

Ürüne ilgili her türlü talep ve sorun yerel yetkili servis merkezlerine ([www.ryobitools.eu](http://www.ryobitools.eu) adresini ziyaret edin) veya doğrudan aşağıdaki şekilde iletilebilir: Techtronic Industries GmbH, Max Eyth Straße 10, 71364 Winnenden, Germany. Lütfen etikette yer alan seri numarasını ve ürün tipini belirtin.

## EN EC DECLARATION OF CONFORMITY

### Cordless lawnmower

Brand: RYOBI | Manufacturer<sup>1</sup> | Model number<sup>2</sup> | Serial number range<sup>3</sup>

We declare as the manufacturer under our sole responsibility that the product mentioned below fulfills all the relevant provisions of the following European Directives, European Regulations and harmonised standards<sup>4</sup>

Measured sound power level..... 93.6 dB(A)  
 Guaranteed sound power level..... 96 dB(A)  
 Conformity assessment method to Annex VI Directive 2000/14/EC amended by 2005/88/EC.  
 Notified body<sup>5</sup>  
 Authorised to compile the technical file.<sup>6</sup>

## FR DÉCLARATION CE DE CONFORMITÉ

### Tondeuse à gazon sans-fil

Marque: RYOBI | Fabricant<sup>1</sup> | Numéro de modèle<sup>2</sup> | Étendue des numéros de série<sup>3</sup>

Nous déclarons sous notre entière responsabilité que le produit mentionné ci-dessous remplit toutes les dispositions pertinentes des directives et réglementations européennes suivantes, ainsi que des normes harmonisées ci-après<sup>4</sup>

Niveau de puissance sonore mesuré..... 93.6 dB(A)  
 Niveau de puissance sonore garanti..... 96 dB(A)  
 Méthode d'évaluation de conformité de l'annexe VI Directive 2000/14/EC modifiée 2005/88/EC.  
 L'organisme certifié<sup>5</sup>  
 Autorisé à rédiger le dossier technique.<sup>6</sup>

## DE EG-KONFORMITÄTSERKLÄRUNG

### Akku-Rasenmäher

Marke: RYOBI | Hersteller<sup>1</sup> | Modellnummer<sup>2</sup> | Seriennummernbereich<sup>3</sup>

Wir erklären in alleiniger Verantwortung, dass das nachstehend erwähnte Produkt allen einschlägigen Bestimmungen der folgenden EU-Richtlinien, EU-Vorschriften und harmonisierten Normen entspricht<sup>4</sup>

Gemessener Schalleistungspegel..... 93.6 dB(A)  
 Garantiertes Schalleistungspegel..... 96 dB(A)  
 Konformitätsbeurteilungsmethode zu Anhang VI Richtlinie 2000/14/EC wie durch 2005/88/EC.  
 Benannte Stelle<sup>5</sup>  
 Autorisiert die technische Datei zu erstellen.<sup>6</sup>

## ES DECLARACIÓN CE DE CONFORMIDAD

### Cortacésped inalámbrico

Marca: RYOBI | Fabricante<sup>1</sup> | Número de modelo<sup>2</sup> | Intervalo del número de serie<sup>3</sup>

Declaramos, bajo nuestra exclusiva responsabilidad, que el producto mencionado a continuación cumple con todas las disposiciones relevantes de las siguientes directivas, normas armonizadas y reglamentos europeos<sup>4</sup>

Nivel de potencia acústica medido..... 93.6 dB(A)  
 Nivel de potencia acústica garantizado..... 96 dB(A)  
 Método de evaluación de conformidad con el anexo VI Directiva 2000/14/EC modificada por la 2005/88/EC.  
 El organismo acreditado<sup>5</sup>  
 Autorizado para elaborar la ficha técnica.<sup>6</sup>

## IT DICHIARAZIONE CE DI CONFORMITÀ

### Tosaerba a batteria

Marca: RYOBI | Ditta produttrice<sup>1</sup> | Numero modello<sup>2</sup> | Gamma numero seriale<sup>3</sup>

Dichiariamo sotto la nostra unica responsabilità che il prodotto descritto in basso soddisfa tutte le disposizioni delle direttive europee e che sono state osservate le norme seguenti<sup>4</sup>

Livello di potenza acustica misurato..... 93.6 dB(A)  
 Livello di potenza sonora garantita..... 96 dB(A)  
 Metodo di valutazione sulla conformità all'allegato VI Direttiva 2000/14/EC modificata con la 2005/88/EC.  
 L'ente notificato<sup>5</sup>  
 Autorizzato per compilare il file tecnico.<sup>6</sup>

## NL EG-VERKLARING VAN OVEREENSTEMMING

### Kabelloze grasmaaier

Merk: RYOBI | Fabrikant<sup>1</sup> | Modelnummer<sup>2</sup> | Seriennummerek<sup>3</sup>

Wij verklaren naar onze eigen verantwoordelijkheid, dat het hieronder genoemde product voldoet aan alle relevante bepalingen van de volgende Europese richtlijnen, Europese verordeningen en geharmoniseerde normen<sup>4</sup>

Gemeten geluidsniveau..... 93.6 dB(A)  
 Gegarandeerd geluidsniveau..... 96 dB(A)  
 Evaluatiemethode conformiteit volgens bijlage VI Richtlijn 2000/14/EC gewijzigd door 2005/88/EC.  
 Aangemelde instantie<sup>5</sup>  
 Afgevaardigde voor het samenstellen van de technische fiche.<sup>6</sup>

## PT DECLARAÇÃO CE DE CONFORMIDADE

### Corta-relvas sem fios

Marca: RYOBI | Fabricante<sup>1</sup> | Número do modelo<sup>2</sup> | Intervalo do número de série<sup>3</sup>

Declaramos sob nossa exclusiva responsabilidade que o produto mencionado abaixo cumpre todas as disposições aplicáveis das seguintes diretivas, regulamentos e normas harmonizadas da União Europeia<sup>4</sup>

Nível de potência sonora medido..... 93.6 dB(A)  
 Nível de potência sonora garantido..... 96 dB(A)  
 Método de avaliação de conformidade para o anexo VI Directiva 2000/14/EC alterada por 2005/88/EC.  
 O organismo acreditado<sup>5</sup>  
 Autorizado para compilar o ficheiro técnico.<sup>6</sup>

## DA EF-OVERENSSTEMMELSESERKLÆRING

### Trådløs plæneklipper

Brand: RYOBI | Product<sup>1</sup> | Modelnummer<sup>2</sup> | Seriennummerområde<sup>3</sup>

Vi erklærer under eget ansvar at den produkt nævnt nedenfor opfylder alle de relevante forskrifter i de følgende europæiske direktiver, europæiske forordninger og harmoniserede standarder<sup>4</sup>

Målt støjniveau..... 93.6 dB(A)  
 Garanteret støjniveau..... 96 dB(A)  
 Overensstemmelsesvurderingsmetode til bilag VI Direktiv 2000/14/EC ændret ved 2005/88/EC.  
 Bemyndiget organ<sup>5</sup>  
 Bemyndiget til at udarbejde det tekniske kartotek.<sup>6</sup>

## SV EG-FÖRSÄKRAN ÖVERENSSTÄMMELSE

### Sladdlös gräsklippare

Marke: RYOBI | Tillverkare<sup>1</sup> | Modellnummer<sup>2</sup> | Seriennummerintervall<sup>3</sup>

Vi förklarar under eget ansvar att den produkt som nämns nedan uppfyller alla relevanta föreskrifter i följande europeiska direktiv, europeiska förordningar och harmoniserade standarder<sup>4</sup>

Uppmått ljudeffektsnivå..... 93.6 dB(A)  
 Garanterad ljudeffektsnivå..... 96 dB(A)  
 Konformitetsbedömning gjord enligt metod i VI Direktiv 2000/14/EC samt tillägen i 2005/88/EC.  
 Reglerande myndighet<sup>5</sup>  
 Godkänd att sammanställa den tekniska filen.<sup>6</sup>

## FI EI-YVAATIMUSTENMUKAISUUSVAKUUTUS

### Johdoton ruohonleikkuri

Vuotumerkki: RYOBI | Valmistaja<sup>1</sup> | Mallinumero<sup>2</sup> | Sarjanumerovalve<sup>3</sup>

Vakuutamme alla mainitun tuotteen olevan seuraavien eurooppalaisten direktiivien, asetusten ja yhdenmukaistettujen standardien säännösten mukainen<sup>4</sup>

Mitattu ääniteho..... 93.6 dB(A)  
 Taattu ääniteho..... 96 dB(A)  
 Säännösten noudattaminen tarkastettu direktiivin 2000/14/EC liitteen V mukaisesti muunnettu direktiivillä 2005/88/EC.  
 Ilmoitettava elin<sup>5</sup>  
 Valtuutettu kokoamaan tekninen tiedosto.<sup>6</sup>

## NO CE-SAMSVARERKLÆRING

### Kabelfri gressklipper

Merke: RYOBI | Produsent<sup>1</sup> | Modellnummer<sup>2</sup> | Seriennummerserie<sup>3</sup>

Vi erklærer på eget ansvar at produktet beskrevet nedenfor oppfyller alle de relevante bestemmelsene i de europeiske direktiver, europeiske forskrifter og harmoniserte standarder<sup>4</sup>

Målt lydeffektnivå..... 93.6 dB(A)  
 Garantert lydeffektnivå..... 96 dB(A)  
 Metode for vurdering av konformitet til Tillegg VI Direktiv 2000/14/EC endret ved 2005/88/EC.  
 Teknisk kontrollorgan<sup>5</sup>  
 Autorisert til å sette sammen den tekniske filen.<sup>6</sup>

## RU ДЕКЛАРАЦИЯ О СООТВЕТСТВИИ СТАНДАРТАМ ЕС

### Беспроводная газонокосилка

Марка: RYOBI | Изготовитель<sup>1</sup> | Номер модели<sup>2</sup> | Диапазон заводских номеров<sup>3</sup>

Со всей ответственностью заявляем, что нижеупомянутое изделие отвечает всем соответствующим положениям следующих европейских директив, европейских регламентов, а также гармонизированных стандартов<sup>4</sup>

Измеренный уровень звуковой мощности..... 93.6 dB(A)  
 Гарантируемый уровень звуковой мощности..... 96 dB(A)  
 Способ оценки соответствия, приложение VI к директиве 2000/14/EC с изменениями 2005/88/EC.  
 Уполномоченным органом<sup>5</sup>  
 Лицо, ответственное за подготовку технической документации.<sup>6</sup>

## PL DEKLARACJA ZGODNOŚCI WE

### Kosiarka bezprzewodowa

Marka: RYOBI | Producent<sup>1</sup> | Numer modelu<sup>2</sup> | Zakres numerów seryjnych<sup>3</sup>

Oświadczamy na własną odpowiedzialność, że produkt opisany w sekcji „Specyfikacja” spełnia wszystkie istotne postanowienia wymienionych poniżej dyrektyw UE, przepisów europejskich oraz norm zharmonizowanych<sup>4</sup>

Zmierzony poziom mocy akustycznej..... 93.6 dB(A)  
 Zgwarantowany poziom mocy akustycznej..... 96 dB(A)  
 Metoda ocena zgodności zgodnie z aneksem VI Dyrektywa 2000/14/EC zmieniona przez dyrektywę 2005/88/EC.  
 Jednostka notyfikowana<sup>5</sup>  
 Osoba upoważniona do sporządzenia dokumentu technicznego.<sup>6</sup>

## CS CE PROHLÁŠENÍ O SHODĚ

### Akumulátorová sekačka trávy

Značka: RYOBI | Výrobce<sup>1</sup> | Číslo modelu<sup>2</sup> | Rozsah sériových čísel<sup>3</sup>

Výhradně na vlastní odpovědnost prohlašujeme, že níže uvedené výrobek splňuje všechna příslušná ustanovení evropských směrnic, evropských nařízení a harmonizovaných norem<sup>4</sup>

Zaručená hladina akustického výkonu..... 93.6 dB(A)  
 Soulad s metodou určení pro přílohu VI směrnice 2000/14/EC upravená 2005/88/EC.  
 Notifikovaný orgán<sup>5</sup>  
 Pověřeni ke kompilaci technického souboru.<sup>6</sup>

## HU EK-MEGFELELŐSÉGI NYILATKOZATA

### Akkumulátoros fűnyíró

Márka: RYOBI | Gyártó<sup>1</sup> | Típuszám<sup>2</sup> | Sorozatszám tartomány<sup>3</sup>

Kizárólagos felelősségünk keretében nyilatkozunk, hogy az alább említett termék megfelel a következő európai irányelvek, szabványok és harmonizált szabványok vonatkozó rendelkezéseinek<sup>4</sup>

Mért hangteljesítményszint ..... 93,6 dB(A)

Garantált hangteljesítményszint ..... 96 dB(A)

A megfelelőségi értékelési eljárás a 2000/14/EC irányelv VI. függeléké szerint történt által módosított 2005/88/EC irányelv.

Tanúsított testület<sup>5</sup>

A műszaki dokumentáció összeállítására felhatalmazott:<sup>6</sup>

## RO DECLARAȚIE DE CONFORMITATE CE

### Mașină de tuns gazon fără fir

Marcă: RYOBI | Producător<sup>1</sup> | Număr serie<sup>2</sup> | Gamă număr serie<sup>3</sup>

Declaram pe proprie responsabilitate că produsul menționat mai jos îndeplinește toate prevederile relevante ale directivei Uniunii Europene, ale Regulamentelor UE și standardelor armonizate<sup>4</sup>

Nivelul măsurat al puterii acustice ..... 93,6 dB(A)

Nivelul garantat al puterii acustice ..... 96 dB(A)

Metoda de evaluare a conformității cu Anexa VI Directiva 2000/14/EC modificată prin 2005/88/EC.

Organismul notificat<sup>5</sup>

Autorizat să completeze fișa tehnică:<sup>6</sup>

## LV EK ATBILSTĪBAS DEKLARĀCIJA

### Bezvady zāles pļāvējs

Zīmols: RYOBI | Ražotājs<sup>1</sup> | Modeļa numurs<sup>2</sup> | Sērijas numura intervāls<sup>3</sup>

Ar pilnu atbildību mēs deklarējam, ka tālāk norādītais produkts izpilda visas atbilstošās norādīto Eiropas direktīvu, Eiropas regulu un harmonizēto standartu prasības<sup>4</sup>

Izmērītās skaņas jaudas līmenis ..... 93,6 dB(A)

Garantētās skaņas intensitātes līmenis ..... 96 dB(A)

Aptaukšanas novērtēšanas metode pielikumam VI Direktīvai 2000/14/EC labota 2005/88/EC.

Pilnvarotā iestāde<sup>5</sup>

Pilnvarots sastādīt tehnisko failu:<sup>6</sup>

## LT EB ATITIKTIES DEKLARACIJA

### Akumuliatorinė vejapjovė

Prekės ženklas: RYOBI | Gamintojas<sup>1</sup> | Modelio numeris<sup>2</sup> | Serijinio numerio diapazonas<sup>3</sup>

Mes atsiąskingai pareiškiame, kad toliau minimas gaminyš atitinka nurodytus Europos direktyvas, Europos reglamentus ir darniuosius standartus<sup>4</sup>

Išmatuotas akustinis lygis ..... 93,6 dB(A)

Garantuotas akustinis lygis ..... 96 dB(A)

Atitikties įvertinimo metodas pagal direktyvos 2000/14/EC, VI Priedą su pataisomis 2005/88/EC.

Notifikuoti įstaiga<sup>5</sup>

Įgaliotas sudaryti techninį failą:<sup>6</sup>

## ET EÜ VASTAVUSDEKLARATSIOON

### Juhtmeta muruniiduk

Mark: RYOBI | Tootja<sup>1</sup> | Mudeli number<sup>2</sup> | Seerianumbri vahemik<sup>3</sup>

Kinnitame oma ainuvastutusele, et allpool nimetatud toode vastab järgmistele Euroopa direktiivide, Euroopa määrustele ja ühtlustatud standardite kõigile asjaomastele sätetele<sup>4</sup>

Mõõdetud helivõimsuse tase ..... 93,6 dB(A)

Garanteeritud helivõimsuse tase ..... 96 dB(A)

Vastavushindamine vastavalt lisale VI direktiivis 2000/14/EC muudetud direktiiviga 2005/88/EC.

Tunnustatud asutus<sup>5</sup>

Tehnilise faili koostamiseks volitatud isik:<sup>6</sup>

## HR IZJAVA O SUKLADNOSTI

### Akumulatorska kosilica

Marka: RYOBI | Proizvođač<sup>1</sup> | Broj modela<sup>2</sup> | Raspon serijskog broja<sup>3</sup>

Pod punom odgovornošću izjavljujemo da proizvod naveden u nastavku zadovoljava sve relevantne odredbe sljedećih europskih direktiva, europskih uredbi i usklađenih normi<sup>4</sup>

Izmjerenja razina zvučne snage ..... 93,6 dB(A)

Jamčena razina zvučne snage ..... 96 dB(A)

Metoda procjene usklađenosti prema Dodatku VI Direktive 2000/14/EC navedeno u 2005/88/EC.

Nadzorno tijelo<sup>5</sup>

Ovlašten da sastavi tehničku dokumentaciju:<sup>6</sup>

## SL ES-IZJAVA O SKLADNOSTI

### Brezžična kosilnica

Znamka: RYOBI | Proizvajalec<sup>1</sup> | Številka modela<sup>2</sup> | Razpon serijskih števil<sup>3</sup>

Pod izključno lastno odgovornostjo izjavljamo, da spodaj navedeni izdelek izpolnjuje vse ustrezne predpise naslednjih evropskih direktiv, evropskih uredb in harmoniziranih standardov<sup>4</sup>

Izmerjena raven zvočne moči ..... 93,6 dB(A)

Zajamčena raven zvočne moči ..... 96 dB(A)

Način ugotavljanja skladnosti z aneksom VI direktive 2000/14/EC ki je bila spremenjena z 2005/88/EC.

Priglašeni organ<sup>5</sup>

Pooblaščen oseba za sestavo tehnične dokumentacije:<sup>6</sup>

## SK ES VYHLÁSENIE O ZHODE

### Akkumulátorová kosačka

Značka: RYOBI | Výrobca<sup>1</sup> | Číslo modelu<sup>2</sup> | Rozsah sériových čísel<sup>3</sup>

Na vlastnú zodpovednosť vyhlasujeme, že dolu uvedený výrobok vyhovuje príslušným ustanoveniam nasledujúcich európskych smerníc, európskych nariadení a harmonizovaných noriem<sup>4</sup>

Nameraná úroveň hluku ..... 93,6 dB(A)

Garantovaná úroveň hluku ..... 96 dB(A)

Spôsob určenia zhody podľa Dodatku VI Smernica 2000/14/EC doplnená o 2005/88/EC.

Oboznámený orgán<sup>5</sup>

Oprávnená osoba na zostavenie technického súboru:<sup>6</sup>

## BG CE - ДЕКЛАРАЦИЯ ЗА СЪОТВЕТСТВИЕ

### Безжична косачка

Марка: RYOBI | Производител<sup>1</sup> | Номер на модела<sup>2</sup> | Обхват на серийни номера<sup>3</sup>

Декларираме на своя лична отговорност, че продуктът, посочен по-долу, отговаря на всички съответни разпоредби на директивите и регламентите на Европейския съюз и хармонизираните стандарти по-долу<sup>4</sup>

Измерено ниво на шум ..... 93,6 dB(A)

Гарантирано ниво на шум ..... 96 dB(A)

Метод за оценяване на съответствието с приложение VI Директива 2000/14/EC, изменена от 2005/88/EC.

Компетентният орган<sup>5</sup>

Упълномощено лице за съставяне на техническия файл:<sup>6</sup>

## UK СЕРТИФІКАТ ВІДПОВІДНОСТІ ВИМОГАМ ЄС

### Бездротова газонокосарка

Марка: RYOBI | Виробник<sup>1</sup> | Номер моделу<sup>2</sup> | Діапазон серійного номеру<sup>3</sup>

Ми відповідально заявляємо, що описаний нижче пристрій відповідає всім чинним положенням директив ЄС, Європейських норм та гармонізованих стандартів<sup>4</sup>

Вимірний рівень звукової потужності ..... 93,6 dB(A)

Гарантований рівень звукової потужності ..... 96 dB(A)

Метод оцінки відповідності Annex VI Directive 2000/14/EC з поправками, внесеними 2005/88/EC.

Уповноважений орган<sup>5</sup>

Дозвіл на складання технічного файла:<sup>6</sup>

## TR CE UYGUNLUK BEYANI

### Kablosuz Çim Bıçme Makinesi

Marka: RYOBI | Üretici<sup>1</sup> | Model numarası<sup>2</sup> | Seri numaraları aralığı<sup>3</sup>

Tüm sorumluluğū bize ait olmak üzere, aşağıda belirtilen ürünün aşağıdaki Avrupa Direktifleri, Avrupa Mevzuatı ve uyumlaştırılmış standartların ilgili hükümlerini yerine getirdiğini beyan ederiz<sup>4</sup>

Ölçülen ses gücü seviyesi ..... 93,6 dB(A)

Güvenceli ses gücü seviyesi ..... 96 dB(A)

2005/88/AT ile değiştirilen 2000/14/AT Direktifi Ek VI uyarınca uygunluk değerlendirilmesi yöntemi.

Onaylı kuruluş<sup>5</sup>

Teknik dosyayı derlemekle yetkili sorumlu:<sup>6</sup>

<sup>1</sup> Techtronic Industries GmbH  
Max-Eyth-Straße 10, 71364 Winnenden, Germany

<sup>2</sup> **RY18LMX40B**

<sup>3</sup> 47596000001 - 47596099999

<sup>4</sup> 2006/42/EC, 2014/30/EU, 2000/14/EC, 2005/88/EC, 2011/65/EU  
EN 60335-1:2012+A11:2014+A13:2017+A1:2019+A14:2019+A2:2019,  
EN 60335-2-77:2010, EN IEC 55014-1:2021, EN IEC 55014-2:2021,  
EN IEC 63000:2018

<sup>5</sup> No. 0197 – TÜV Rheinland LGA Products GmbH  
Tillystraße 2 - 90431 Nürnberg – Germany

Todd Chipner  
Vice President, Quality – Asia  
Winnenden, Dec. 18, 2021

<sup>6</sup> Alexander Krug, Managing Director  
Techtronic Industries GmbH  
Max-Eyth-Straße 10, 71364 Winnenden, Germany

## GB-DECLARATION OF CONFORMITY

Manufacturer: Techtronic Industries GmbH  
Max-Eyth-Straße 10, 71364 Winnenden, Germany

*We declare as the manufacturer under our sole responsibility that the product mentioned below*

Cordless lawnmower  
Brand: RYOBI  
Model number: RY18LMX40B  
Serial number range: 47596001000001- 47596001999999

*fulfills all the relevant provisions of the following Regulations: S.I. 2008/1597 (as amended), S.I. 2016/1091 (as amended), S.I. 2012/3032 (as amended), S.I. 2001/1701 (as amended) and that the following designated standards have been used:*

BS EN 60335-1:2012+A2:2019, BS EN 60335-2-77:2010,  
BS EN IEC 55014-1:2021, BS EN IEC 55014-2:2021, BS EN IEC 63000:2018

Measured sound power level: 93.6 dB(A)  
Guaranteed sound power level: 96 dB(A)  
Conformity assessment method to S.I. 2001/1701 Schedule 9 (as amended)

Approved body:  
No. 8500 - AnP Certification Limited  
2 Parkfield Street, Rusholme, Manchester, M14 4PN, United Kingdom



Todd Chipner  
Vice President, Quality – Asia  
Winnenden, Dec. 18, 2021

Authorised to compile the technical file:  
Techtronic Industries (UK) Ltd  
Fieldhouse Lane  
Marlow Bucks SL7 1HZ  
UK









**EN** RYOBI is a trade mark of Ryobi Limited, and is used under license.  
**FR** RYOBI est une marque déposée de Ryobi Limited, et est utilisée sous licence.  
**DE** RYOBI ist ein Markenzeichen von Ryobi Limited und wird in Lizenz verwendet.  
**ES** RYOBI es una marca registrada de Ryobi Limited, y se utiliza bajo licencia.  
**IT** L'utilizzo del marchio registrato RYOBI è legato alla licenza concessa da Ryobi Limited.  
**NL** RYOBI is een handelsmerk van Ryobi Limited en wordt onder licentie gebruikt.  
**PT** RYOBI é uma marca comercial de Ryobi Limited, e é utilizada sob licença.  
**DA** RYOBI er et varemærke tilhørende Ryobi Limited og bruges under licens.  
**SV** RYOBI är en del av varumärke Ryobi Limited och dess användning är licensierad.  
**FI** RYOBI on Ryobi Limitedin omistama tavaramerkki, ja sitä käytetään lisenssin puitteissa.  
**NO** RYOBI er et varemerke for Ryobi Limited, og brukes under lisens.  
**RU** RYOBI является товарным знаком компании Ryobi Limited, используемым по лицензии.  
**PL** RYOBI to znak towarowy firmy Ryobi Limited i jest używany zgodnie z udzieloną licencją.  
**CS** RYOBI je ochranná známka společnosti Ryobi Limited a její používání podléhá licenci.  
**HU** A RYOBI a Ryobi Limited védjegye, használatra licenc keretében történik.  
**RO** RYOBI este o marcă comercială a firmei Ryobi Limited și este utilizată sub licență.  
**LV** RYOBI ir Ryobi Limited preču zīme un tiek izmantota saskaņā ar licenci.  
**LT** „RYOBI” yra „Ryobi Limited“ prekės ženklas, naudojamas pagal licenciją.  
**ET** RYOBI on ettevõtte Ryobi Limited kaubamärk, mida kasutatakse litsentsi alusel.  
**HR** RYOBI je žig tvrtke Ryobi Limited i koristi se po licenci.  
**SL** RYOBI je blagovna znamka družbe Ryobi Limited in se uporablja na podlagi dovoljenja.  
**SK** RYOBI je ochranná známka spoločnosti Ryobi Limited a používa sa na základe licencie.  
**BG** RYOBI е търговска марка на Ryobi Limited и се използва под лиценз.  
**UK** RYOBI є товарним знаком Ryobi Limited, і використовується за ліцензією.  
**TR** RYOBI, Ryobi Limited şirketine ait olup, lisans altında kullanılan bir ticari markadır.





**Techtronic Industries GmbH**  
Max-Eyth-Straße 10,  
71364 Winnenden, Germany

**Techtronic Industries (UK) Ltd**  
Fieldhouse Lane  
Marlow Bucks SL7 1HZ  
UK

961478280-01

